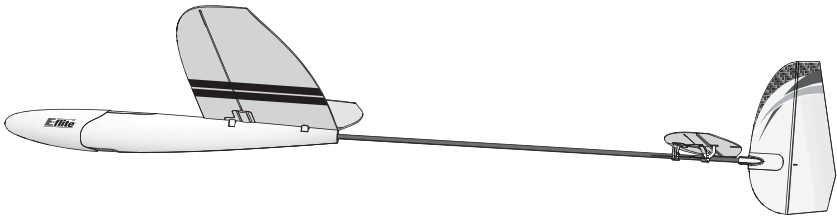


**HORIZON**<sup>®</sup>  
H O B B Y

**Eflite**<sup>®</sup>  
ADVANCING ELECTRIC FLIGHT

# UMX<sup>™</sup> Whipit<sup>™</sup>



*Instruction Manual*  
*Bedienungsanleitung*  
*Manuel d'utilisation*  
*Manuale di Istruzioni*

**Bind-N-Fly**<sup>®</sup>  
BASIC

**NOTICE**

All instructions, warranties and other collateral documents are subject to change at the sole discretion of Horizon Hobby LLC. For up-to-date product literature, visit [www.horizonhobby.com](http://www.horizonhobby.com) and click on the support tab for this product.

**Meaning of Special Language:**

The following terms are used throughout the product literature to indicate various levels of potential harm when operating this product:

**NOTICE:** Procedures, which if not properly followed, create a possibility of physical property damage AND little or no possibility of injury.

**CAUTION:** Procedures, which if not properly followed, create the probability of physical property damage AND a possibility of serious injury.

**WARNING:** Procedures, which if not properly followed, create the probability of property damage, collateral damage, and serious injury OR create a high probability of superficial injury.



**WARNING:** Read the ENTIRE instruction manual to become familiar with the features of the product before operating. Failure to operate the product correctly can result in damage to the product, personal property and cause serious injury.

This is a sophisticated hobby product. It must be operated with caution and common sense and requires some basic mechanical ability. Failure to operate this product in a safe and responsible manner could result in injury or damage to the product or other property. This product is not intended for use by children without direct adult supervision. Do not use with incompatible components or alter this product in any way outside of the instructions provided by Horizon Hobby, LLC. This manual contains instructions for safety, operation and maintenance. It is essential to read and follow all the instructions and warnings in the manual, prior to assembly, setup or use, in order to operate correctly and avoid damage or serious injury.

**Age Recommendation: Not for children under 14 years. This is not a toy.**

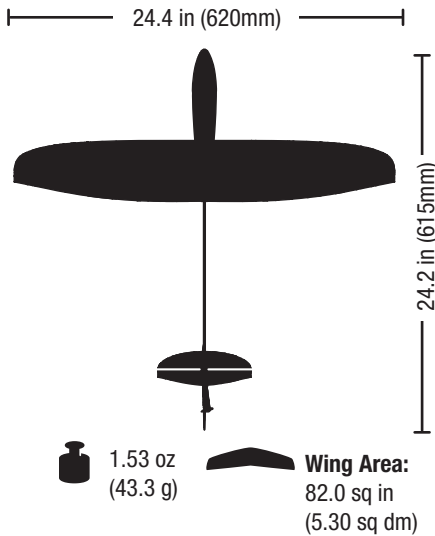
## Safety Precautions and Warnings





- Always keep a safe distance in all directions around your model to avoid collisions or injury. This model is controlled by a radio signal subject to interference from many sources outside your control. Interference can cause momentary loss of control.
- Always operate your model in open spaces away from full-size vehicles, traffic and people.
- Always carefully follow the directions and warnings for this and any optional support equipment (chargers, rechargeable battery packs, etc.).
- Always keep all chemicals, small parts and anything electrical out of the reach of children.
- Always avoid water exposure to all equipment not specifically designed and protected for this purpose. Moisture causes damage to electronics.
- Never place any portion of the model in your mouth as it could cause serious injury or even death.
- Never operate your model with low transmitter batteries.
- Always keep aircraft in sight and under control.
- Always use fully charged batteries.
- Always keep the transmitter powered on while aircraft is powered.
- Always remove batteries before disassembly.
- Always keep moving parts clean.
- Always keep parts dry.
- Always let parts cool after use before touching.
- Always remove batteries after use.
- Always ensure failsafe is properly set before flying.
- Never operate aircraft with damaged wiring.
- Never touch moving parts.

# Table of Contents

Transmitter Setup .....	4	Limited Warranty .....	11
Wing Installation .....	4	Warranty and Service Information .....	12
Transmitter and Receiver Binding.....	5	FCC Information.....	12
Flight Battery Installation and Receiver Arming .....	6	IC Information.....	12
Center of Gravity (CG) Adjustment .....	7	Compliance Information for the European Union.....	13
Control Direction Test.....	7	Replacement Parts.....	47
Control Centering .....	8	Optional Parts and Accessories .....	47
Control Horn Settings.....	8		
Optional Decals.....	8		
Flying Tips and Repairs.....	9		
Post Flight Checklist .....	10		
Troubleshooting Guide .....	10		

# Specifications



<b>Installed</b>	
	<b>Receiver :</b> Receiver/ESC DSM2®/ DSMX® (PKZ3352)
<b>Required to Complete</b>	
	<b>Battery:</b> 150mAh 1S 3.7V 25C Li-Po battery (EFLB1501S25)
	<b>Battery Charger :</b> 1S Li-Po battery charger.
	<b>Recommended Transmitter:</b> Spektrum™ DSM2®/DSMX® full range with dual-rates (DX4e and up)

# Preflight Checklist

✓	
1.	Charge flight battery.
2.	Install flight battery in aircraft (once it has been fully charged).
3.	Bind aircraft to transmitter.
4.	Make sure linkages move freely.
5.	Perform Control Direction Test with transmitter.

✓	
6.	Set dual rates.
7.	Adjust center of gravity.
8.	Perform a radio system Range Check.
9.	Find a safe and open area.
10.	Plan flight for flying field conditions.
11.	Set flight timer for 45 minutes

## Transmitter Setup

### Dual Rates

To obtain the best flight performance, we recommend using a DSM2/DSMX radio capable of adjustable Dual Rates. The suggested settings shown here are the recommended starting settings. Adjust according to the individual preferences after the initial flight.

**NOTICE: Do not set your transmitter travel adjust over 100%.** If the TRAVEL ADJUST is set over 100%, it will not result in more control movement, it will overdrive the servo and cause damage.

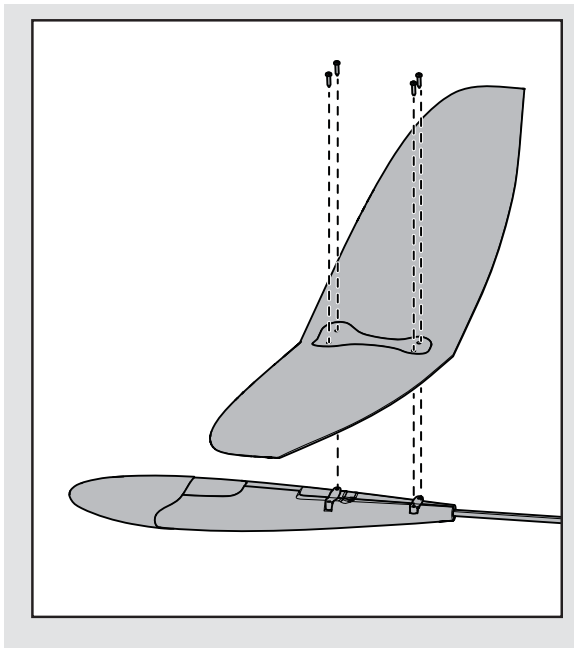
It is normal for linear servos to make significant noise. The noise is not an indication of a faulty servo.

	Dual Rate	
	High	Low
Elevator	100%	70%
Rudder	100%	70%

**Tip:** For the first flight, fly the model in low rate.

## Wing Installation

Install the wing on the fuselage using 4 screws.



## Transmitter and Receiver Binding

Binding is the process of programming the receiver to recognize the GUID (Globally Unique Identifier) code of a single specific transmitter. You need to 'bind' your chosen Spektrum™ DSM2/DSMX technology equipped aircraft transmitter to the receiver for proper operation.

Any full range Spektrum DSM2/DSMX transmitter can bind to the DSM2/DSMX receiver. Please visit [www.bindnfly.com](http://www.bindnfly.com) for a complete list of compatible transmitters.

### ✓ Binding Procedure



**CAUTION:** When using a Futaba transmitter with a Spektrum DSM® module, you must reverse the throttle channel and rebind. Refer to your Spektrum module manual for binding and failsafe instructions. Refer to your Futaba transmitter manual for instructions on reversing the throttle channel.

	1. Refer to your transmitter's unique instructions for binding to a receiver (location of transmitter's Bind control).
	2. Make sure the flight battery is disconnected from the aircraft.
	3. Power off your transmitter.
	4. Connect the flight battery in the aircraft. The receiver LED will begin to flash rapidly (typically after 5 seconds).
	5. Make sure the transmitter controls are neutral and the throttle and throttle trim are in low position.
	6. Put your transmitter into bind mode. Refer to your transmitter's manual for binding button or switch instructions.
	7. After 5 to 10 seconds, the receiver status LED will turn solid, indicating that the receiver is bound to the transmitter. If the LED does not turn solid, refer to the Troubleshooting Guide at the back of the manual.

## Flight Battery Installation and Receiver Arming

Arming the receiver also occurs after binding as previously described, but subsequent connection of a flight battery requires the following steps.

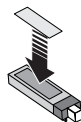
It is normal for linear servos to make noise. Noise is not an indication of a faulty servo.



**CAUTION:** Always disconnect the Li-Po battery from the aircraft receiver when not flying to avoid over-discharging the battery. Batteries discharged to a voltage lower than the lowest approved voltage may become damaged, resulting in loss of performance and potential fire when batteries are charged.

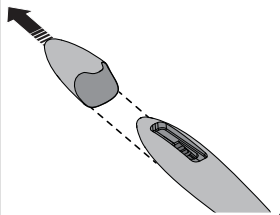
**Tip:** Recharge the recommended 1S 150mAh Li-Po Battery after approximately 45 minutes of flight to avoid battery over-discharge.

**1** Apply hook and loop tape to the battery.



 Power ON the transmitter, then wait 5 seconds.

Remove the nose cone from the fuselage.



**2** Connect the flight battery to the receiver, noting proper polarity.

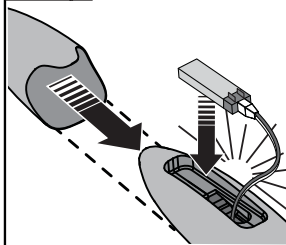


1-2-3-4-5 Sec.

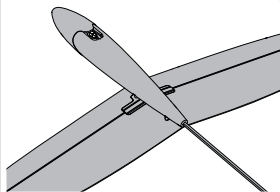


Continuous LED

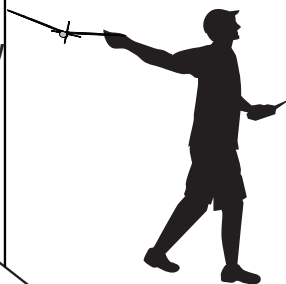
Secure the battery to the hook and loop strip in the nose



**3** Re-install nose cone



Refer to the **Center of Gravity Adjustment** instructions for the battery's position.



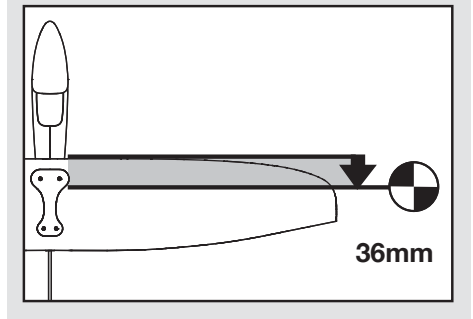
FLY...

## Center of Gravity (CG) Adjustment

The CG location is **36mm** back from the leading edge at the wing root.

This CG location has been determined with the recommended 1S 150mAh 3.7 Li-Po battery installed in the battery cavity located on the bottom of the aircraft.

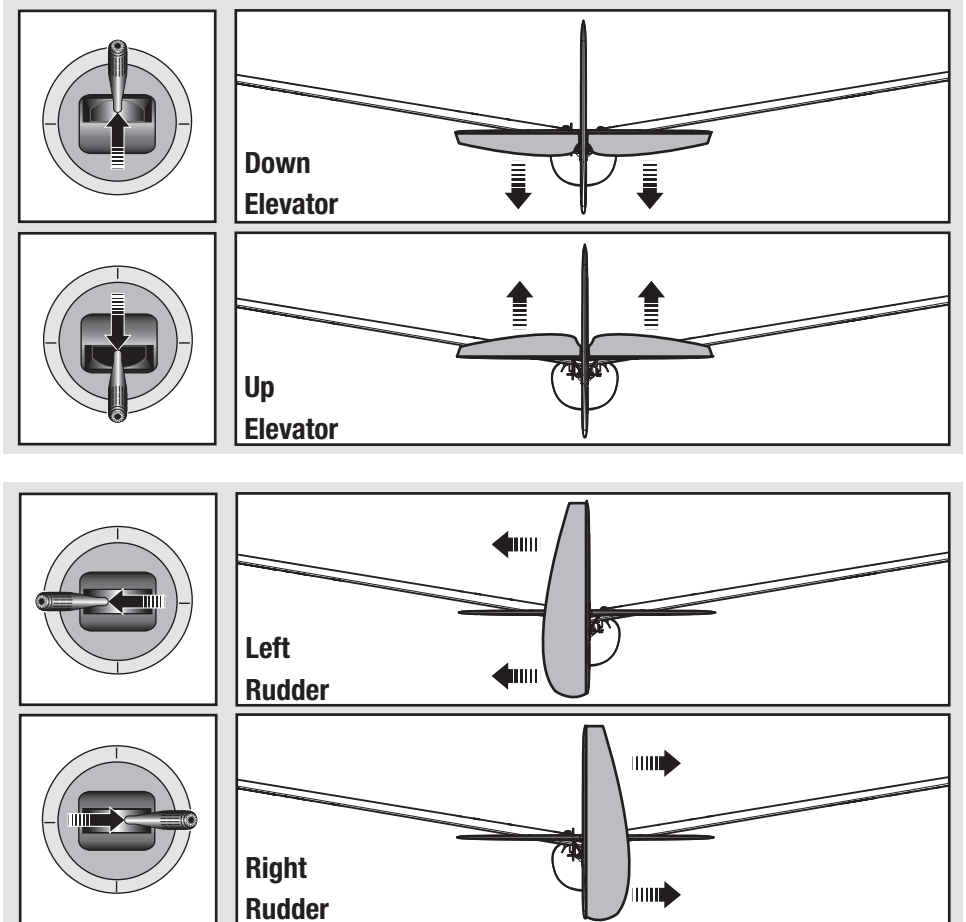
Balance the model on edge of a metal ruler to find the Center of Gravity. Place the ruler on the underside of the airframe at the CG location shown in the image to the right. Move the battery forward or aft until the model closely balances at this location.



## Control Direction Test

You should bind your aircraft and transmitter before doing these tests.

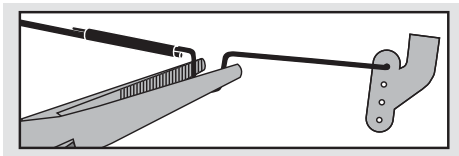
Move the controls on the transmitter to make sure the aircraft control surfaces move correctly and in the proper direction. Make sure the tail linkages move freely and that paint or decals are not adhered to them.



## Control Centering

Before the first flights, or in the event of a crash, make sure the flight control surfaces are centered when the transmitter controls and trims are neutral. The transmitter sub-trim must be set to zero.

Adjust the linkages mechanically if the control surfaces are not centered. Use of the transmitter sub-trims may not correctly center the aircraft control surfaces due to the mechanical limits of linear servos.



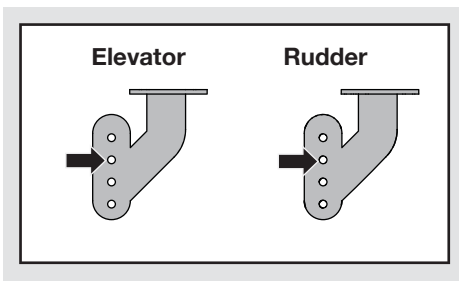
Make the U-shape narrower to make the connector shorter. Make the U-shape wider to make the linkage longer.

## Control Horn Settings

The table to the right shows the factory settings for the control horns. Fly the aircraft at factory settings before making changes.

After flying, you may choose to adjust the linkage positions for the desired control response.

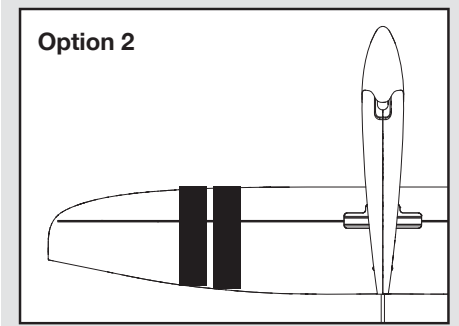
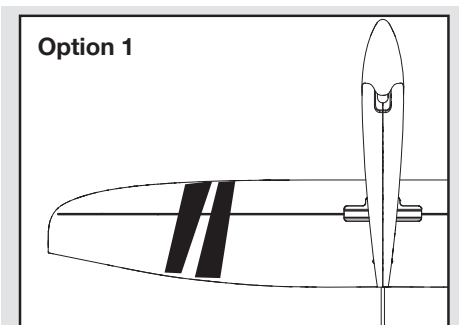
**CAUTION:** When these are incorrectly connected for the pilot's skill level, unexpected aircraft response to controls can result. This can cause damage to the aircraft and personal injury.



## Optional Decals

Increase aircraft visibility by applying included decals to the underside of one wing.

1. Ensure the wing is clean.
2. Lift a decal from a sheet and carefully apply it to the aircraft.
3. Rub out from the center of the self-adhesive decal to remove bubbles.

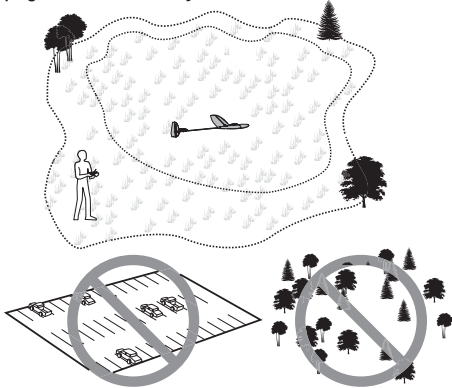




## Flying Tips and Repairs

Consult local laws and ordinances before choosing a location to fly your aircraft.

We recommend flying your aircraft outside in calm conditions. Always avoid flying near houses, trees, wires and buildings. You should also be careful to avoid flying in areas where there are many people, such as busy parks, schoolyards or soccer fields. For additional tips on flying, refer to the product page at [horizonhobby.com](http://horizonhobby.com).



### Hand Launching

When hand-launching your aircraft alone, hold the aircraft in one hand and the transmitter in the other.

For first flights, glide to check the trim. Hold the aircraft on the underside and throw the aircraft directly into the wind, angled slightly up (5 to 10 degrees above the horizon). Once the trim is adjusted, begin exploring the flight envelope of the aircraft.

This aircraft may be launched side-arm, with or without a full 360-degree discus launch. The aircraft may be launched right- or left-handed. Grip the wing with the end of the carbon rod between thumb and forefinger. Avoid twisting your wrist and try to keep your arm straight when launching.

**Tip:** In a computerized transmitter, program a mix of elevator and/or rudder with launch flight mode to get straight hand launches with your launching style. Start with a 5% mix, then adjust upwards to get to desired results.

### Soaring

Your aircraft can ascend on thermals and other updrafts to prolong its flight. There are many ways to stay aloft with a sailplane, such as ridge lifts and thermals. A thermal is simply a column of rising warm air. Once you get your aircraft into the air, watch your aircraft for a response to thermals.

If the airplane randomly rolls on its own, it is likely that you only flew through the edge of the thermal,

causing one side of the airplane to rise, rather than the entire airplane. Enter the thermal by turning your aircraft directly into it, circling to stay in the center of the thermal. Slow your forward speed by increasing up elevator trim so that your aircraft is moving just faster than stall (minimum sink speed). Make easy banking turns to find the area of highest lift (the thermal's core).

When you find the core of lift, tighten your turns to stay near this position. Sometimes thermals drift downwind. It is best that you search for thermals upwind, so that you can follow a thermal downwind if it is pushed downwind.

With practice, you will find it easier to locate and anticipate the movement of thermals. Although thermals cannot be seen, you can see dust, insects or birds riding an updraft. Air movement of a thermal may be felt, so movement in an otherwise calm spot may show you the location of a nearby thermal. A shift in the wind (in a light breeze) can be airflow into a thermal.

### Landing

Make sure to land into the wind. Due to the high lifting efficiency of the sailplane design, landing requires a large landing area. While on your downwind leg, remember that the sailplane glides much better than other aircraft. You will need to setup for landing lower and with a more shallow descent than you may be used to. As you are on approach for landing, ensure that the model is descending slowly, but also not accelerating. Maintain this descent and speed, and, as the model nears the ground (approximately 6 inches (15 cm)), slowly apply a small amount of up elevator.

**NOTICE:** Crash damage is not covered under the warranty.

### Repairs

Repair the aircraft using foam-compatible CA (cyanoacrylate adhesive) or clear tape. **Only use foam-compatible CA**, as other types of glue can damage the foam. When parts are not repairable, see the Replacement Parts List for ordering by item number.

For a listing of all replacement and optional parts, refer to the list at the end of this manual.

**NOTICE:** When you are finished flying, never leave the aircraft in direct sunlight or in a hot, enclosed area such as a car. Doing so can damage the foam.

## Post Flight Checklist

✓	
	1. Disconnect the flight battery from the receiver (Required for safety and battery life).
	2. Power OFF the transmitter.
	3. Remove the flight battery from the aircraft.

✓	
	4. Recharge the flight battery.
	5. Store the flight battery apart from the aircraft and monitor the battery charge.
	6. Make note of the flight conditions and flight plan results, planning for future flights.

## Troubleshooting Guide

Problem	Possible Cause	Solution
LED on receiver flashes and aircraft will not bind to transmitter (during binding)	Transmitter too near aircraft during binding process	Power off transmitter, move transmitter a larger distance from aircraft, disconnect and reconnect flight battery to aircraft and follow binding instructions
	Bind switch or button not held long enough during bind process	Power off transmitter and repeat bind process. Hold transmitter bind button or switch until receiver is bound
	Aircraft or transmitter is too close to large metal object, wireless source or another transmitter	Move aircraft and transmitter to another location and attempt binding again
LED on receiver flashes rapidly and aircraft will not respond to transmitter (after binding)	Less than a 5-second wait between first powering on transmitter and connecting flight battery to aircraft	Leaving transmitter on, disconnect and reconnect flight battery to aircraft
	Aircraft bound to different model memory (ModelMatch™ radios only)	Select correct model memory on transmitter and disconnect and reconnect flight battery to aircraft
	Flight battery/transmitter battery charge is too low	Replace/recharge batteries
	Transmitter may have been bound to a different model (or with a different DSM Protocol)	Select the right transmitter or bind to the new one
	Aircraft or transmitter is too close to large metal object, wireless source or another transmitter	Move aircraft and transmitter to another location and attempt linking again
Control surface does not move	Control surface, control horn, linkage or servo damage	Replace or repair damaged parts and adjust controls
	Wire damaged or connections loose	Do a check of wires and connections, connect or replace as needed
	Flight battery charge is low	Fully recharge flight battery
	Control linkage does not move freely	Make sure control linkage moves freely
Controls reversed	Transmitter settings reversed	Adjust controls on transmitter appropriately
Servo locks or freezes at full travel	Travel adjust value is set above 100%, overdriving the servo	Set Travel adjust to 100% or less and/or set sub-trims to Zero and adjust linkages mechanically

# Limited Warranty

## What this Warranty Covers

Horizon Hobby, LLC. ("Horizon") warrants to the original purchaser that the product purchased (the "Product") will be free from defects in materials and workmanship at the date of purchase.

## What is Not Covered

This warranty is not transferable and does not cover (i) cosmetic damage, (ii) damage due to acts of God, accident, misuse, abuse, negligence, commercial use, or due to improper use, installation, operation or maintenance, (iii) modification of or to any part of the Product, (iv) attempted service by anyone other than a Horizon Hobby authorized service center, (v) Product not purchased from an authorized Horizon dealer, or (vi) Product not compliant with applicable technical regulations.

OTHER THAN THE EXPRESS WARRANTY ABOVE, HORIZON MAKES NO OTHER WARRANTY OR REPRESENTATION, AND HEREBY DISCLAIMS ANY AND ALL IMPLIED WARRANTIES, INCLUDING, WITHOUT LIMITATION, THE IMPLIED WARRANTIES OF NON-INFRINGEMENT, MERCHANTABILITY AND FITNESS FOR A PARTICULAR PURPOSE. THE PURCHASER ACKNOWLEDGES THAT THEY ALONE HAVE DETERMINED THAT THE PRODUCT WILL SUITABLY MEET THE REQUIREMENTS OF THE PURCHASER'S INTENDED USE.

## Purchaser's Remedy

Horizon's sole obligation and purchaser's sole and exclusive remedy shall be that Horizon will, at its option, either (i) service, or (ii) replace, any Product determined by Horizon to be defective. Horizon reserves the right to inspect any and all Product(s) involved in a warranty claim. Service or replacement decisions are at the sole discretion of Horizon. Proof of purchase is required for all warranty claims. SERVICE OR REPLACEMENT AS PROVIDED UNDER THIS WARRANTY IS THE PURCHASER'S SOLE AND EXCLUSIVE REMEDY.

## Limitation of Liability

HORIZON SHALL NOT BE LIABLE FOR SPECIAL, INDIRECT, INCIDENTAL OR CONSEQUENTIAL DAMAGES, LOSS OF PROFITS OR PRODUCTION OR COMMERCIAL LOSS IN ANY WAY, REGARDLESS OF WHETHER SUCH CLAIM IS BASED IN CONTRACT, WARRANTY, TORT, NEGLIGENCE, STRICT LIABILITY OR ANY OTHER THEORY OF LIABILITY, EVEN IF HORIZON HAS BEEN ADVISED OF THE POSSIBILITY OF SUCH DAMAGES. Further, in no event shall the liability of Horizon exceed the individual price of the Product on which liability is asserted. As Horizon has no control over use, setup, final assembly, modification or misuse, no liability shall be assumed nor accepted for any resulting damage or injury. By the act of use, setup or assembly, the user accepts all resulting liability. If you as the purchaser or user are not prepared to accept the liability associated with the use of the Product, purchaser is advised to return the Product immediately in new and unused condition to the place of purchase.

## Law

These terms are governed by Illinois law (without regard to conflict of law principals). This warranty gives you specific legal rights, and you may also have other rights which vary

from state to state. Horizon reserves the right to change or modify this warranty at any time without notice.

## WARRANTY SERVICES

### Questions, Assistance, and Services

Your local hobby store and/or place of purchase cannot provide warranty support or service. Once assembly, setup or use of the Product has been started, you must contact your local distributor or Horizon directly. This will enable Horizon to better answer your questions and service you in the event that you may need any assistance. For questions or assistance, please visit our website at [www.horizonhobby.com](http://www.horizonhobby.com), submit a Product Support Inquiry, or call the toll free telephone number referenced in the Warranty and Service Contact Information section to speak with a Product Support representative.

### Inspection or Services

If this Product needs to be inspected or serviced and is compliant in the country you live and use the Product in, please use the Horizon Online Service Request submission process found on our website or call Horizon to obtain a Return Merchandise Authorization (RMA) number. Pack the Product securely using a shipping carton. Please note that original boxes may be included, but are not designed to withstand the rigors of shipping without additional protection. Ship via a carrier that provides tracking and insurance for lost or damaged parcels, as Horizon is not responsible for merchandise until it arrives and is accepted at our facility. An Online Service Request is available at [http://www.horizonhobby.com/content/\\_service-center\\_render-service-center](http://www.horizonhobby.com/content/_service-center_render-service-center). If you do not have internet access, please contact Horizon Product Support to obtain a RMA number along with instructions for submitting your product for service. When calling Horizon, you will be asked to provide your complete name, street address, email address and phone number where you can be reached during business hours. When sending product into Horizon, please include your RMA number, a list of the included items, and a brief summary of the problem. A copy of your original sales receipt must be included for warranty consideration. Be sure your name, address, and RMA number are clearly written on the outside of the shipping carton.

**NOTICE: Do not ship LiPo batteries to Horizon. If you have any issue with a LiPo battery, please contact the appropriate Horizon Product Support office.**

### Warranty Requirements

**For Warranty consideration, you must include your original sales receipt verifying the proof-of-purchase date.** Provided warranty conditions have been met, your Product will be serviced or replaced free of charge. Service or replacement decisions are at the sole discretion of Horizon.

### Non-Warranty Service

**Should your service not be covered by warranty, service will be completed and payment will be required without notification or estimate of the expense unless the expense exceeds 50% of the retail purchase cost.** By submitting the item for service you are agreeing to payment of the service without notification. Service estimates are available upon request. You must

include this request with your item submitted for service. Non-warranty service estimates will be billed a minimum of ½ hour of labor. In addition you will be billed for return freight. Horizon accepts money orders and cashier's checks, as well as Visa, MasterCard, American Express, and Discover cards. By submitting any item to Horizon for service, you are agreeing to Horizon's Terms and Conditions found on our website [http://www.horizonhobby.com/content/\\_service-center\\_render-service-center](http://www.horizonhobby.com/content/_service-center_render-service-center).

**ATTENTION: Horizon service is limited to Product compliant in the country of use and ownership. If received, a non-compliant Product will not be serviced. Further, the sender will be responsible for arranging return shipment of the un-serviced Product, through a carrier of the sender's choice and at the sender's expense. Horizon will hold non-compliant Product for a period of 60 days from notification, after which it will be discarded.**

## Warranty and Service Information

Country of Purchase	Horizon Hobby	Phone Number/Email Address	Address
United States of America	Horizon Service Center (Repairs and Repair Requests)	servicecenter.horizonhobby.com/RequestForm/	4105 Fieldstone Rd Champaign, Illinois, 61822 USA
	Horizon Product Support (Product Technical Assistance)	www.quickbase.com/db/bghj7ey8c?a=GenNewRecord 888-959-2305	
	Sales	sales@horizonhobby.com 888-959-2305	
United Kingdom	Service/Parts/Sales: Horizon Hobby Limited	sales@horizonhobby.co.uk +44 (0) 1279 641 097	Units 1-4 , Ploytys Rd, Staple Tye Harlow, Essex, CM18 7NS, United Kingdom
Germany	Horizon Technischer Service Sales: Horizon Hobby GmbH	service@horizonhobby.de +49 (0) 4121 2655 100	Christian-Junge-Straße 1 25337 Elmshorn, Germany
France	Service/Parts/Sales: Horizon Hobby SAS	infofrance@horizonhobby.com +33 (0) 1 60 18 34 90	11 Rue Georges Charpak 77127 Lieusaint, France
China	Service/Parts/Sales: Horizon Hobby – China	info@horizonhobby.com.cn +86 (021) 5180 9868	Room 506, No. 97 Changshou Rd. Shanghai, China 200060

## FCC Information

This device complies with part 15 of the FCC rules. Operation is subject to the following two conditions: (1) This device may not cause harmful interference, and (2) this device must accept any interference received, including interference that may cause undesired operation.



**CAUTION:** Changes or modifications not expressly approved by the party responsible for compliance could void the user's authority to operate the equipment.

This product contains a radio transmitter with wireless technology which has been tested and found to be compliant with the applicable regulations governing a radio transmitter in the 2.400GHz to 2.4835GHz frequency range.

## IC Information

This device complies with Industry Canada license-exempt RSS standard(s). Operation is subject to the following two conditions: (1) this device may not cause interference, and (2) this device must accept any interference, including interference that may cause undesired operation of the device.

# Compliance Information for the European Union

## Declaration of Conformity

(in accordance with ISO/IEC 17050-1)  
No. HH2014122205



Product(s): E-flite UMX Whipit  
DLG BNF Basic  
Item Number(s): EFLU3150  
Equipment class: 1

The object of declaration described above is in conformity with the requirements of the specifications listed below, following the provisions of the European R&TTE Directive 1999/5/EC:

**EN 301 489-1 V1.9.2: 2012**

**EN 301 489-17 V2.1.1: 2009**

Signed for and on behalf of:  
Horizon Hobby, LLC.  
Champaign, IL USA  
Dec. 22, 2014

Mike Dunne  
Executive Vice President  
Product Divisions  
Horizon Hobby, LLC

## Instructions for disposal of WEEE by users in the European Union



This product must not be disposed of with other waste. Instead, it is the user's responsibility to dispose of their waste equipment by handing it over to a designated collections point for the recycling of waste electrical and electronic equipment. The separate collection and recycling of your waste equipment at the time of disposal will help to conserve natural resources and ensure that it is recycled in a manner that protects human health and the environment. For more information about where you can drop off your waste equipment for recycling, please contact your local city office, your household waste disposal service or where you purchased the product.

## Replacement Parts – Ersatzteile – Pièces de rechange – Pezzi di ricambio

Part # • Nummer Numéro • Codice	Description	Beschreibung	Description	Descrizione
EFLU3106	Decal sheet: UMX Whipit	UMX Whipit: Dekorbogen	Planche de décoration: UMX Whipit	set decalcomanie: UMX Whipit
EFLU3102	Wing: UMX Whipit	UMX Whipit: Tragfläche	Aile: UMX Whipit	ala: UMX Whipit
EFLU3103	Tail Set: UMX Whipit	UMX Whipit: Leitwerk	Empennage: UMX Whipit	piani di coda: UMX Whipit
EFLU3104	Nose Cone: UMX Whipit	UMX Whipit: Nasenkonus	Cône de nez: UMX Whipit	cono di punta: UMX Whipit
EFLU3101	Fuselage: UMX Whipit	UMX Whipit: Rumpf	Fuselage: UMX Whipit	fusoliera: UMX Whipit
EFLU3105	Pushrod and Screw Set: UMX Whipit	UMX Whipit: Gestänge und Schraubenset	Visserie et tringleries: UMX Whipit	set viti e aste di comando: UMX Whipit
PKZ3352	Receiver/ESC DSM2/ DSMX: UMX Whipit	UMX Whipit: Empfänger / Regler DSM2/ DSMX	Récepteur DSM2/ DSMX: UMX Whipit	ricevente: UMX Whipit

## Optional Parts and Accessories – – Optionale Bauteile und Zubehörteile –

## Pièces optionnelles et accessoires – Pezzi opzionali e accessori

Part # • Nummer Numéro • Codice	Description	Beschreibung	Description	Descrizione
PKZ1039	Hook and Loop Set (5): Ultra Micros	Parkzone: Klettband Set Ultra Micros	Ultras Micros - Bande auto-agrippante (5)	Set fascette a strappo (5): Ultra Micro
EFLA208	Foam CA 1 oz/ Activator, 2 oz Pack	E-flite CA Kleber Schaum-geeignet / Aktivatorspray 2 oz. pack	Pack Colle Cyano 29ml et Activateur 59ml compatibles polystyrène	Confezione CA per espanso (30g)/ attivatore (60g)
EFLB1501S25	150mAh 1S 3.7V 25C LiPo Battery	150mAh 1S 3.7V 25C LiPo Akku	Batterie Li-Po 1S 150mA 25C	150mAh 1S 3.7V 25C batteria LiPo
EFLC1105	E-Flite Ultra Micro-4x9w charger	1S USB Li-Po Ladegerät, 300mA	Chargeur USB Li-Po 1S, 300mA	caricabatterie USB LiPo 1S 300mA
EFLC1000	AC/DC 3.7V Lipo charger	E-flite 4 Port Ladegerät 1S 3,7V 0,3A	Chargeur Li-Po CC 0,3 A 3,7V 1S 4 ports Celectra	Caricabatterie Li-Po 1S da 3,7V 0,3 A CC, a 4 porte, Celectra
EFLC1004	Celectra 4-Port 1S 3.7V 0.3 A DC Li-Po charger	E-flite 4 Port Ladegerät 1S 3,7V 0,3A	Chargeur Li-Po CC 0,3 A 3,7V 1S 4 ports Celectra	Caricabatterie Li-Po 1S da 3,7V 0,3 A CC, a 4 porte, Celectra
EFLC1005/AU/ EU/UK	AC to 6V DC 1.5 amp Power Supply (Based upon your sales Region)	E-flite Netzteil für 4 Port Ladegerät	Alimentation CA vers 6 V CC, 1,5 A (En fonction de votre région)	Alimentatore da CA a 6 V CC, 1,5 Amp (in base al Paese di vendita)
	DX5e DSMX 5-Channel Transmitter	DX5e DSMX 5-Kanal Sender	Emetteur DX5e DSMX 5 voies	DX5e DSMX Trasmettitore 5 canali
	DX6i DSMX 6-Channel Transmitter	DX6i DSMX 6-Kanal Sender	Emetteur DX6i DSMX 6 voies	DX6i DSMX Trasmettitore 6 canali
	DX6 DSMX 6-Channel Transmitter	DX6 DSMX 6-Kanal Sender	Emetteur DX6 DSMX 6 voies	DX6 DSMX Trasmettitore 6 canali
	DX7s DSMX 7-Channel Transmitter	Spektrum DX7s 7 Kanal Sender	Emetteur DX7s DSMX 7 voies	DX7s DSMX Trasmettitore 7 canali
	DX7 DSMX Transmitter	Spektrum DX7 nur Sender	Emetteur DX7 DSMX 7 voies	DX7 DSMX Solo trasmettitore
	DX8 DSMX Transmitter	Spektrum DX8 nur Sender	Emetteur DX8 DSMX 8 voies	DX8 DSMX Solo trasmettitore
	DX9 DSMX Transmitter	Spektrum DX9 nur Sender	Emetteur DX9 DSMX 9 voies	DX9 DSMX Solo trasmettitore
	DX10t Transmitter	Spektrum DX10t nur Sender	Emetteur DX10t DSMX 10 voies	DX10t DSMX Solo trasmettitore
	DX18 Transmitter	Spektrum DX18 nur Sender	Emetteur DX18 DSMX 18 voies	DX18 DSMX Solo trasmettitore



# UMX™ Whipit™

© 2015 Horizon Hobby, LLC.

E-flite, Whipit, Celectra, UMX, DSM, DSM2, DSMX, ModelMatch, Bind-N-Fly, the BNF logo and the Horizon Hobby logo are trademarks or registered trademarks of Horizon Hobby, LLC.

The Spektrum trademark is used with permission of Bachmann Industries, Inc.

Futaba is a registered trademark of Futaba Denshi Kogyo Kabushiki Kaisha Corporation of Japan.

All other trademarks, service marks and logos are property of their respective owners.

US 7,898,130. US D578,146. PRC ZL 200720069025. PRC ZL 2007001249.

Other patents pending.

[www.e-fliterc.com](http://www.e-fliterc.com)