



TRAIL PROVEN OFF-ROAD PERFORMANCE

SCX10™

SCX10™ II UMG10™ 6x6 RTR
1/10th SCALE ELECTRIC



NOTICE

All instructions, warranties and other collateral documents are subject to change at the sole discretion of Horizon Hobby, LLC. For up-to-date product literature, visit horizonhobby.com and click on the support or resources tab for this product.


MEANING OF SPECIAL LANGUAGE

The following terms are used throughout the product literature to indicate various levels of potential harm when operating this product:

WARNING: Procedures, which if not properly followed, create the probability of property damage, collateral damage, and serious injury OR create a high probability of superficial injury.

CAUTION: Procedures, which if not properly followed, create the probability of physical property damage AND a possibility of serious injury.

NOTICE: Procedures, which if not properly followed, create a possibility of physical property damage AND a little or no possibility of injury.

 **WARNING:** Read the ENTIRE instruction manual to become familiar with the features of the product before operating. Failure to operate the product correctly can result in damage to the product, personal property and cause serious injury. This is a sophisticated hobby product. It must be operated with caution and common sense and requires some basic mechanical ability. Failure to operate this Product in a safe and responsible manner could result in injury or damage to the product or other property. This product is not intended for use by children without direct adult supervision. Do not use with incompatible components or alter this product in any way outside of the instructions provided by Horizon Hobby, LLC. This manual contains instructions for safety, operation and maintenance. It is essential to read and follow all the instructions and warnings in the manual, prior to assembly, setup or use, in order to operate correctly and avoid damage or serious injury.

Age Recommendation: Not for children under 14 years. This is not a toy.

SAFETY PRECAUTIONS AND WARNINGS

As the user of this product, you are solely responsible for operating in a manner that does not endanger yourself and others or result in damage to the product or property of others.

This model is controlled by a radio signal subject to interference from many sources outside your control. This interference can cause momentary loss of control, so it is advisable to always keep a safe distance in all directions around your model as this margin will help avoid collisions or injury.

- Never operate your model with low transmitter batteries.
- Always operate your model in open spaces away from full-size vehicles, traffic and people.
- Never operate the model in the street or in populated areas for any reason.
- Carefully follow the directions and warnings for this and any optional support equipment (chargers, rechargeable battery packs, etc.) you use.
- Keep all chemicals, small parts and anything electrical out of the reach of children.
- Never lick or place any portion of the model in your mouth as it could cause serious injury or even death.
- Exercise caution when using tools and sharp instruments.
- Take care during maintenance as some parts may have sharp edges.
- Immediately after using your model, do NOT touch equipment such as the motor, electronic speed control and battery, because they generate high temperatures. You may burn yourself seriously touching them.
- Do not put fingers or any objects inside rotating and moving parts, as this may cause damage or serious injury.
- Always turn on your transmitter before you turn on the receiver in the car. Always turn off the receiver before turning your transmitter off.
- Keep the wheels of the model off the ground when checking the operation of the radio equipment.


 **WARNING AGAINST COUNTERFEIT PRODUCTS:** Always purchase from a Horizon Hobby, LLC authorized dealer to ensure authentic high-quality Spektrum product. Horizon Hobby, LLC disclaims all support and warranty with regards, but not limited to, compatibility and performance of counterfeit products or products claiming compatibility with DSM® or Spektrum technology.

TABLE OF CONTENTS


Water-resistant Vehicle with Waterproof Electronics	3	AE-5L Forward/reverse ESC with drag brake	10
box Contents	4	Gear Ratios.....	11
Required Equipment	4	Troubleshooting.....	11
recommended tools.....	4	Notes.....	11
Getting started checklist.....	5	Limited Warranty.....	12
Vehicle parts	5	Warranty and Service Contact Information	12
Charge the vehicle battery.....	6	FCC Information.....	13
Install the transmitter batteries.....	6	IC Information.....	13
Transmitter functions	6	Compliance Information for the European Union.....	13
Install the vehicle battery.....	7	Parts reference	50
Binding.....	8	Exploded views.....	55
Range-checking the radio system	8	Parts lists.....	59
vehicle maintenance	9	Electronics	61
Adjusting the battery tray.....	10		

WATER-RESISTANT VEHICLE WITH WATERPROOF ELECTRONICS

Your new Horizon Hobby vehicle has been designed and built with a combination of waterproof and water-resistant components to allow you to operate the product in many “wet conditions,” including puddles, creeks, wet grass, snow and even rain.

While the entire vehicle is highly water-resistant, it is not completely waterproof and your vehicle should NOT be treated like a submarine. The various electronic components used in the vehicle, such as the Electronic Speed Control (ESC), servo(s) and receiver are waterproof, however, most of the mechanical components are water-resistant and should not be submerged.

Metal parts, including the bearings, hinge pins, screws and nuts, as well as the contacts in the electrical cables, will be susceptible to corrosion if additional maintenance is not performed after running in wet conditions. To maximize the long-term performance of your vehicle and to keep the warranty intact, the procedures described in the “Wet Conditions Maintenance” section below must be performed regularly if you choose to run in wet conditions. If you are not willing to perform the additional care and maintenance required, then you should not operate the vehicle in those conditions.


 **CAUTION:** Failure to exercise caution while using this product and complying with the following precautions could result in product malfunction and/or void the warranty.

GENERAL PRECAUTIONS

- Read through the wet conditions maintenance procedures and make sure that you have all the tools you will need to properly maintain your vehicle.
- Not all batteries can be used in wet conditions. Consult the battery manufacturer before use. Caution should be taken when using Li-Po batteries in wet conditions.
- Most transmitters are not water-resistant. Consult your transmitter’s manual or the manufacturer before operation.
- Never operate your transmitter or vehicle where lightning may be present.
- Do not operate your vehicle where it could come in contact with salt water (ocean water or water on salt-covered roads), contaminated or polluted water. Salt water is very conductive and highly corrosive, so use caution.
- Even minimal water contact can reduce the life of your motor if it has not been certified as water-resistant or waterproof. If the motor becomes excessively wet, apply very light throttle until the water is mostly removed from the motor. Running a wet motor at high speeds may rapidly damage the motor.
- Driving in wet conditions can reduce the life of the motor. The additional resistance of operating in water causes excess strain. Alter the gear ratio by using a smaller pinion or larger spur gear. This will increase torque (and motor life) when running in mud, deeper puddles, or any wet conditions that will increase the load on the motor for an extended period of time.

WET CONDITIONS MAINTENANCE

- Drain any water that has collected in the tires by spinning them at high speed. With the body removed, place the vehicle upside down and pull full throttle for a few short bursts until the water has been removed.

 **CAUTION:** Always keep hands, fingers, tools and any loose or hanging objects away from rotating parts when performing the above drying technique.

- Remove the battery pack(s) and dry the contacts. If you have an air compressor or a can of compressed air, blow out any water that may be inside the recessed connector housing.
- Remove the tires/wheels from the vehicle and gently rinse the mud and dirt off with a garden hose. Avoid rinsing the bearings and transmission.

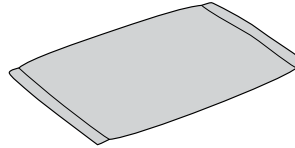
NOTICE: Never use a pressure washer to clean your vehicle.

- Use an air compressor or a can of compressed air to dry the vehicle and help remove any water that may have gotten into small crevices or corners.
- Spray the bearings, drive train, fasteners and other metal parts with a water-displacing light oil. Do not spray the motor.
- Let the vehicle air dry before you store it. Water (and oil) may continue to drip for a few hours.
- Increase the frequency of disassembly, inspection and lubrication of the following:
 - Front and rear axle hub assembly bearings.
 - All transmission cases, gears and differentials.
 - Motor—clean with an aerosol motor cleaner and re-oil the bushings with lightweight motor oil.

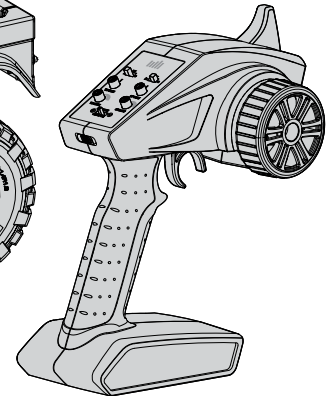
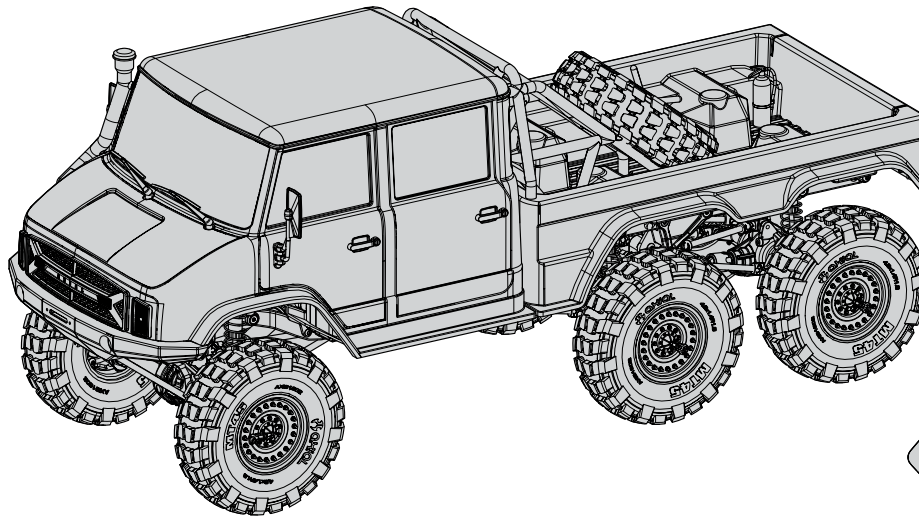
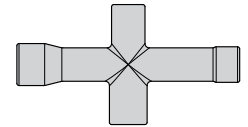
BOX CONTENTS

- Spektrum™ STX2® 2.4GHz Transmitter (SPMSTX200)
- AX103002 SCX10 II UNIMOG 6x6 RTR
 - 35T Electric Motor (AX31312)
 - SRX200 2CH Receiver (SPMSRX200)
 - 9KG Servo, Waterproof, Metal Gear, 23T (SPMS605)
 - AE-5L ESC w/LED Ports and Lights (DYNS2213)
 - AE-5L LED Light Set (AX31481)

• Parts Bag



• Cross Wrench



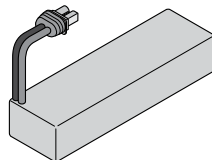
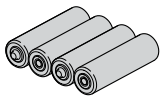
REQUIRED EQUIPMENT

• (4) AA Alkaline batteries

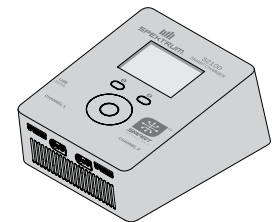
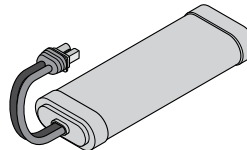
• 2-3S LiPo Battery

• 5-9 Cell NiMH/NiCd battery
(IC3™ Connector Required)

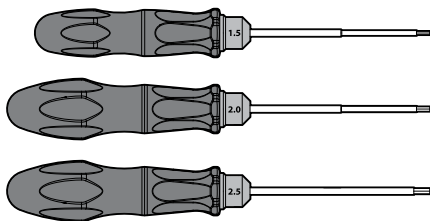
• Battery charger compatible with the chosen vehicle battery type



OR



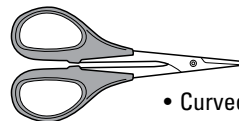
RECOMMENDED TOOLS



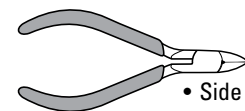
• Hex Drivers (1.5, 2.0, 2.5mm)



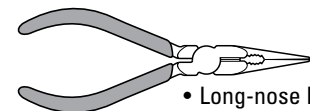
• Hobby Knife



• Curved Scissors



• Side Cutter



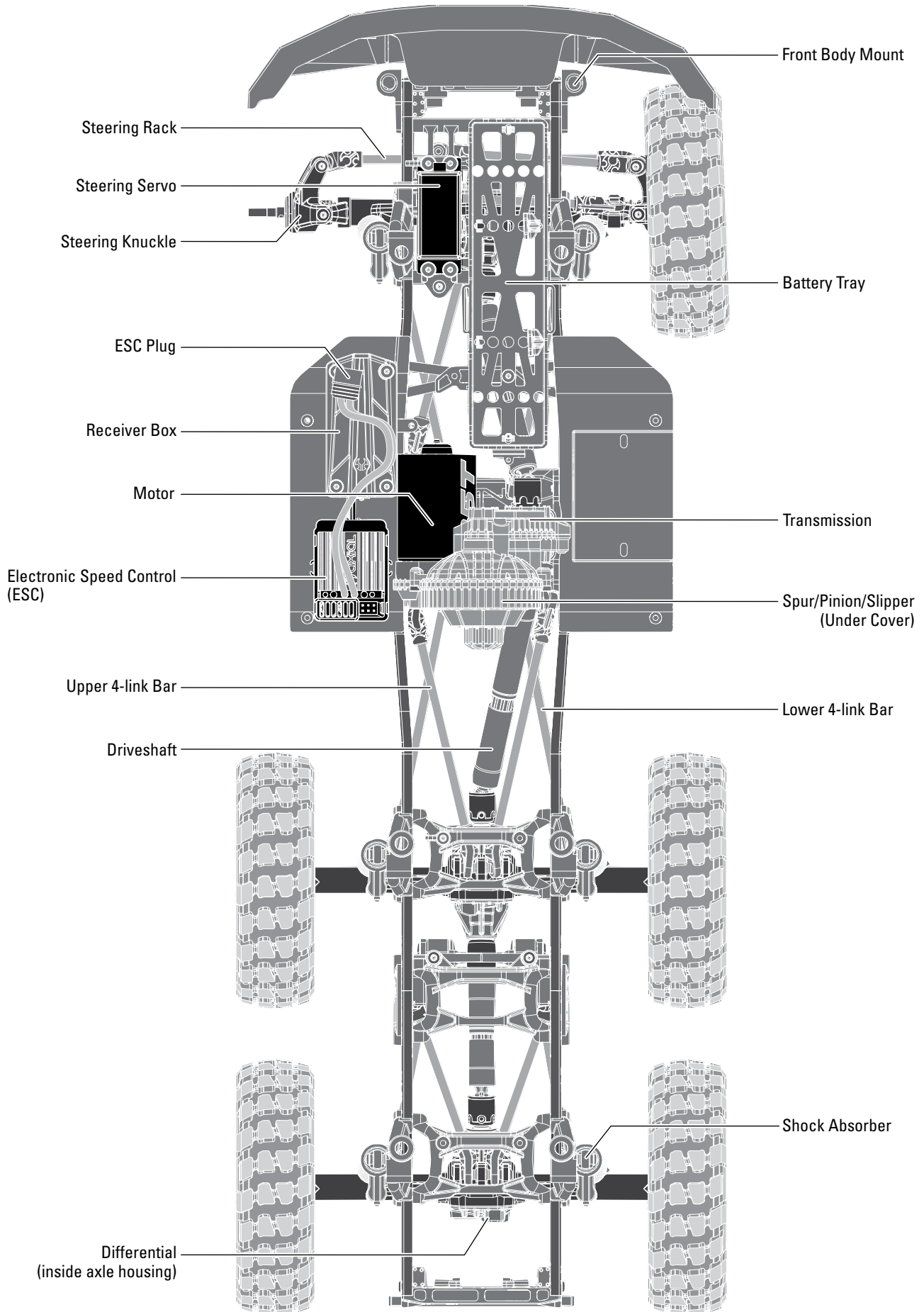
• Long-nose Plier

GETTING STARTED CHECKLIST

Read the manual
Familiarize yourself with the vehicle and its components
Check all screws, especially the driveshaft setscrews, for tightness from the factory
Charge the vehicle battery
Install 4 AA batteries in the transmitter

Power on the transmitter
Install the vehicle battery in the vehicle
Check for proper function of the throttle and steering
Range check the radio system
Drive the vehicle, challenge yourself and have FUN!
Perform any necessary vehicle maintenance

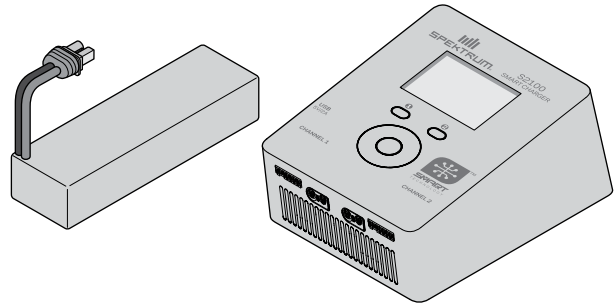
VEHICLE PARTS



CHARGE THE VEHICLE BATTERY

Follow the manufacturer's directions for your charger to properly charge the vehicle battery.

CAUTION: Only use chargers designed to charge the chosen battery type. Using an incorrect charger or incorrect charger settings could result in a fire causing personal injury or damage to property.



INSTALL THE TRANSMITTER BATTERIES

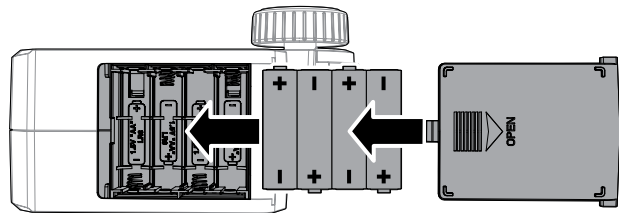
This transmitter requires 4 AA batteries.

1. Remove the battery cover from the transmitter.
2. Install the batteries as shown.
3. Install the battery cover.

CAUTION: NEVER remove the transmitter batteries while the model is powered on. Loss of model control, damage, or injury may occur.

CAUTION: If using rechargeable batteries, charge only rechargeable batteries. Charging non-rechargeable batteries may cause the batteries to burst, resulting in injury to persons and/or damage to property.

CAUTION: Risk of explosion if battery is replaced by an incorrect type. Dispose of used batteries according to national regulations.



TRANSMITTER FUNCTIONS

A. Servo Reversing

To reverse the Throttle (TH) or Steering (ST) channel, switch the position of the correlating switch—"N" is for normal, "R" is for reverse.

B. Throttle Trim

Adjusts the throttle neutral point

C. Steering Trim

Adjusts the steering center point. Normally, the steering trim is adjusted until the vehicle tracks straight.

D. Throttle Rate

Adjusts the end point of the throttle

E. Steering Rate

Adjusts the end point of the steering

F. Indicator Lights

- Solid red lights: Indicates radio connectivity and adequate battery power
- Flashing red lights: Indicates the battery voltage is critically low. Replace batteries

G. Throttle Limit

Limits throttle output to 50/75/100%

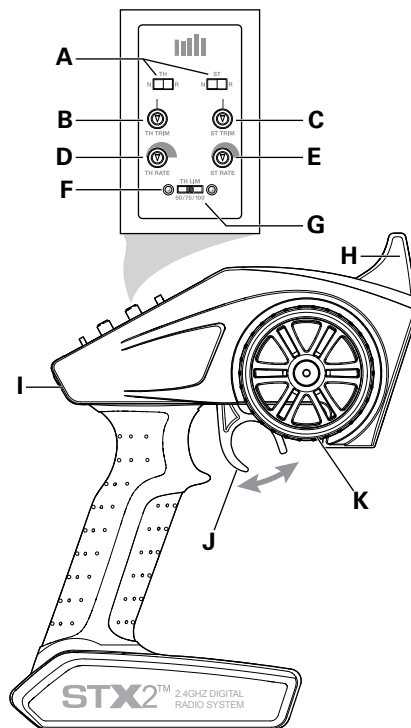
Select 50% or 75% for less experienced drivers or when you are driving the vehicle in a small area.

H. Antenna

I. Power Button

J. Throttle/Brake

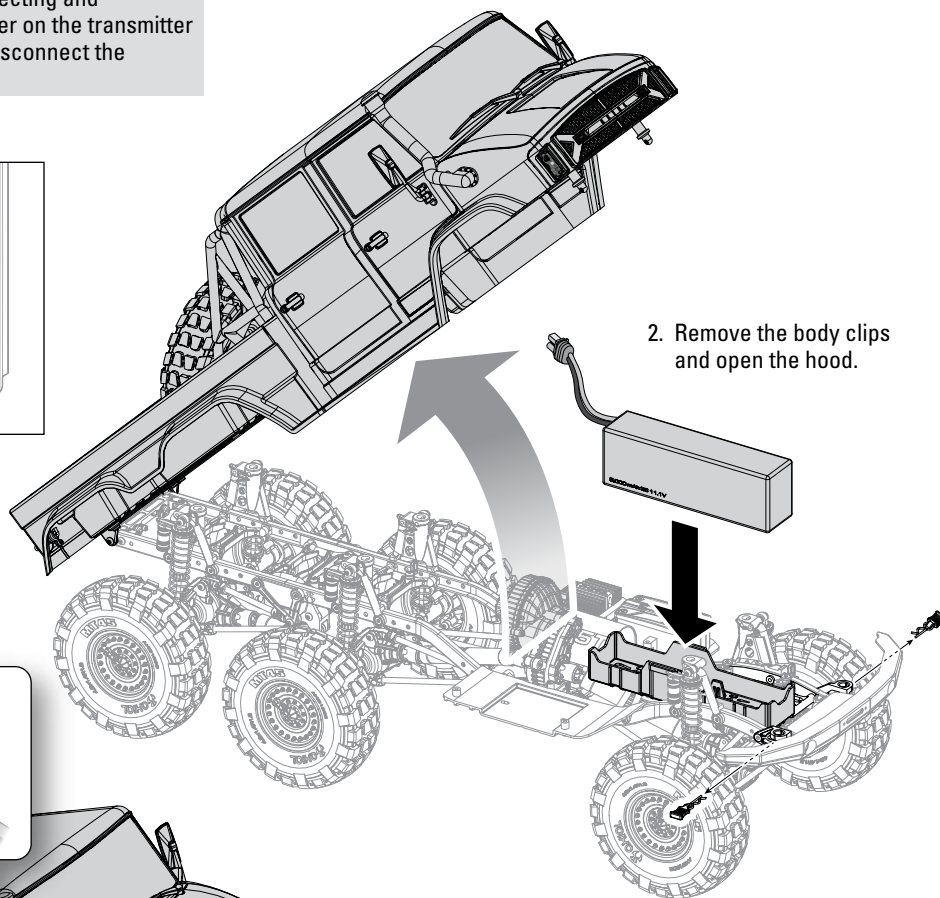
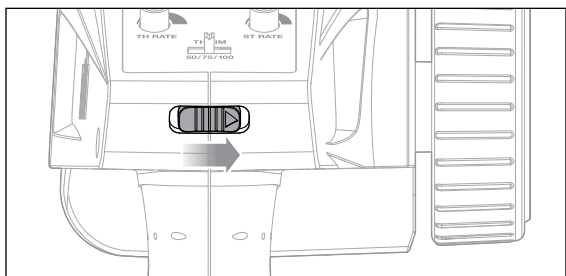
K. Steering Wheel



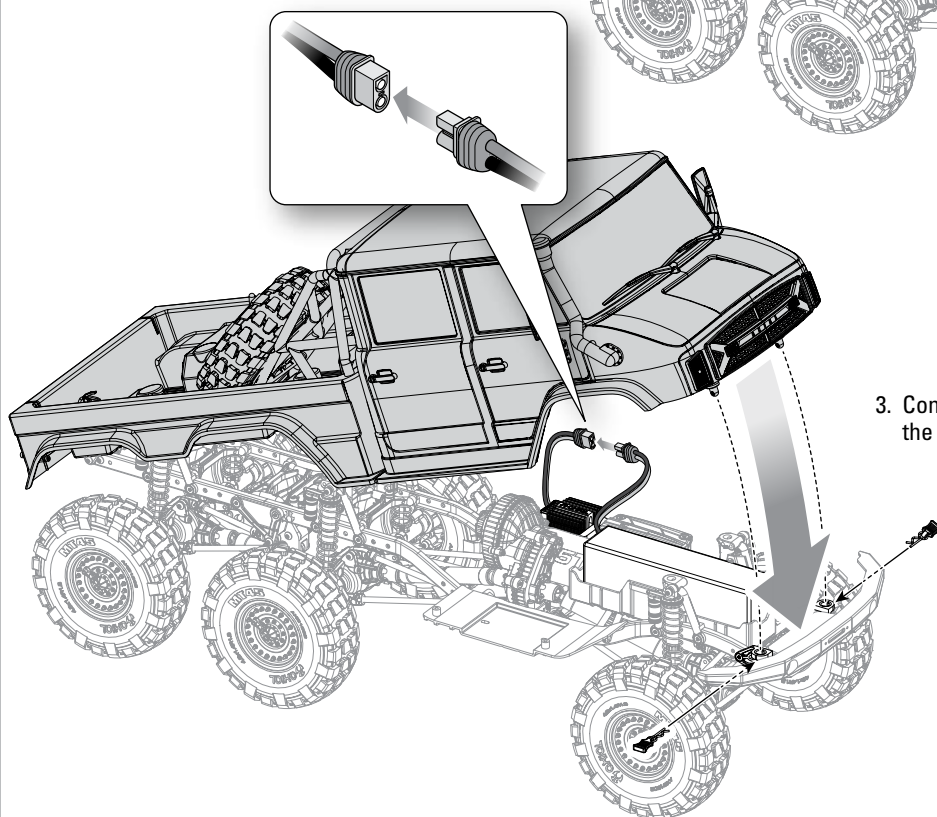
INSTALL THE VEHICLE BATTERY

NOTICE: Power to the vehicle is controlled by connecting and disconnecting the battery from the ESC. Always power on the transmitter first before connecting the vehicle battery. Always disconnect the battery from the ESC when not in use.

1. Power on the transmitter.

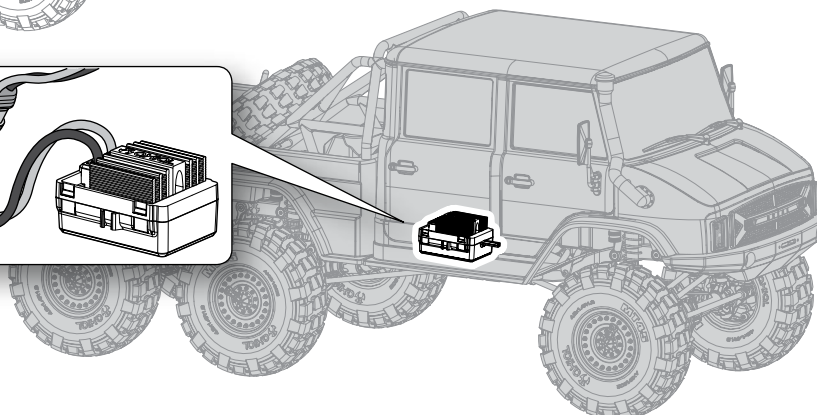
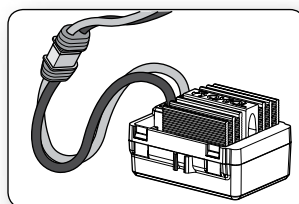


2. Remove the body clips and open the hood.



3. Connect the battery to the ESC. Close the hood and replace the body clips.

NOTICE: Always disconnect the battery from the ESC before powering off the transmitter. Loss of vehicle control may result.



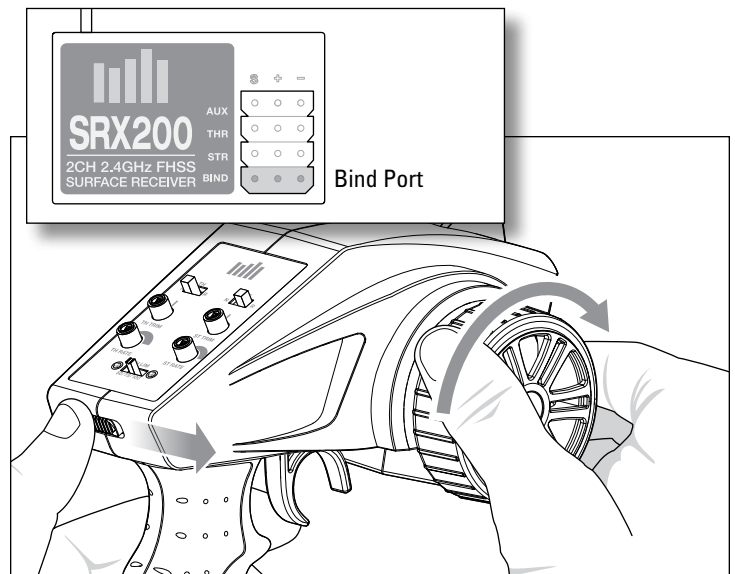
BINDING

Binding is the process of programming the receiver to recognize the GUID (Globally Unique Identifier) code of a single specific transmitter. The STX2® transmitter and SPMSRX200 receiver are bound at the factory. If you need to rebind, follow the instructions below.

1. Insert the Bind Plug in the BIND port on the receiver.
2. Connect a fully charged battery pack to the ESC.
3. Power on the ESC. The red LED flashes, indicating the receiver is in bind mode.
4. Center the ST TRIM and TH TRIM dials on the transmitter.
5. Turn the steering wheel to Full Right. Power the transmitter on while holding the steering wheel to the Right.
6. Release the steering wheel when the receiver LED stops flashing.
7. Remove the Bind Plug, then power off the receiver to save the settings.
8. Power off the transmitter.
9. Remove the bind plug and store it in a convenient place.

You must rebind when:

- Different failsafe positions are desired e.g., when throttle or steering reversing has been changed.
- Binding the receiver to a different transmitter.



RANGE-CHECKING THE RADIO SYSTEM

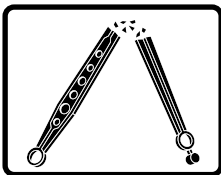
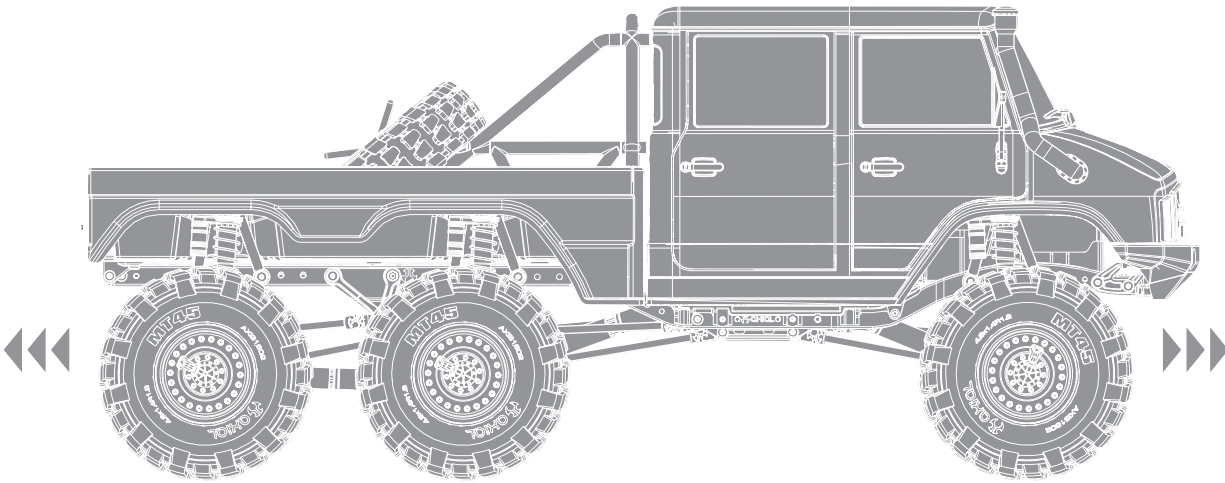
The radio system should be checked before operating the vehicle to ensure proper operation and adequate range.

1. Turn on the transmitter.
2. Connect the battery in the vehicle.
3. Have a friend hold the vehicle while keeping hands and loose clothing away from moving parts.
4. Walk away until you are at the maximum planned operating distance from the vehicle.
5. Turn the steering wheel side to side and operate the throttle, both forward and reverse, checking for any erratic behavior.
6. If any erratic behavior is exhibited, **DO NOT** operate the vehicle. Call customer service for assistance.

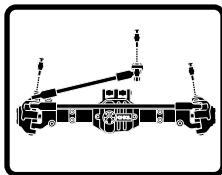


VEHICLE MAINTENANCE

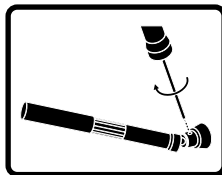
Just like a full-size car or truck, your RC vehicle must undergo periodic maintenance in order to ensure peak performance. Preventative maintenance will also help avoid needless breakages, which could result in costly repairs. Below are some suggestions to properly maintain your vehicle.



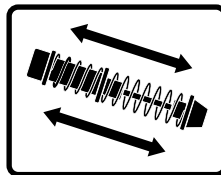
Replace any noticeable bent or broken parts



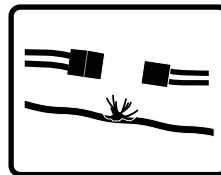
Check for wear on the ball joints in the steering and suspension links (replace if necessary)



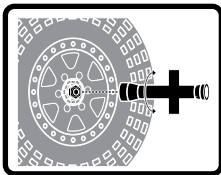
Check driveshaft set screws and apply thread locking compound if necessary



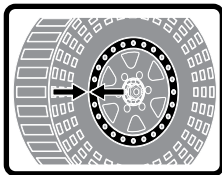
Inspect shock absorbers for smooth dampened operation



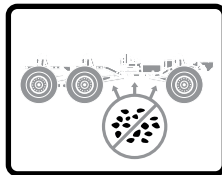
Check for any loose connections or frayed wiring



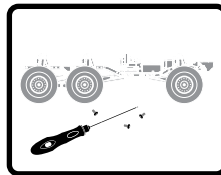
Check the wheel nuts for tightness



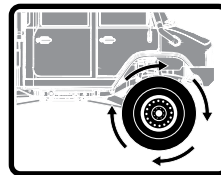
Ensure the wheel beads are still firmly bonded around the entire circumference of the rim



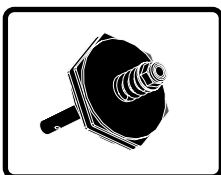
Keep the chassis free of dirt and debris



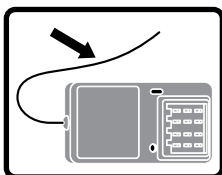
Check for loose screws on the chassis, especially the knuckle, C-hub and axle lockout screws



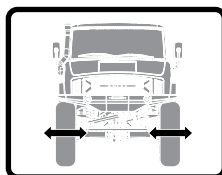
Check the driveline for smooth, bind free operation



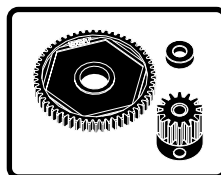
If applicable, check the slipper clutch for proper operation



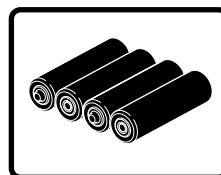
Check the receiver antenna for damage



Check the steering operation for any binding



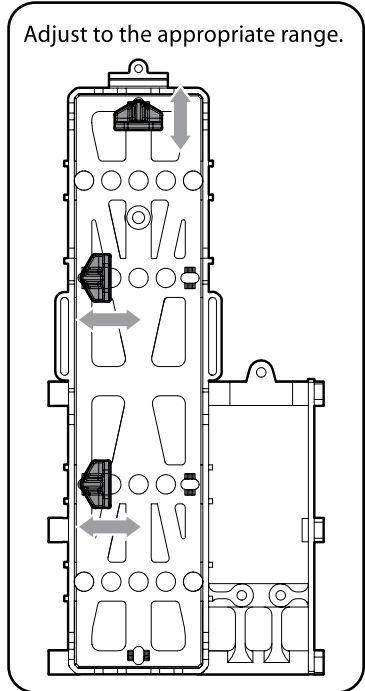
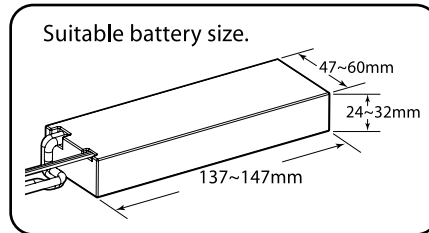
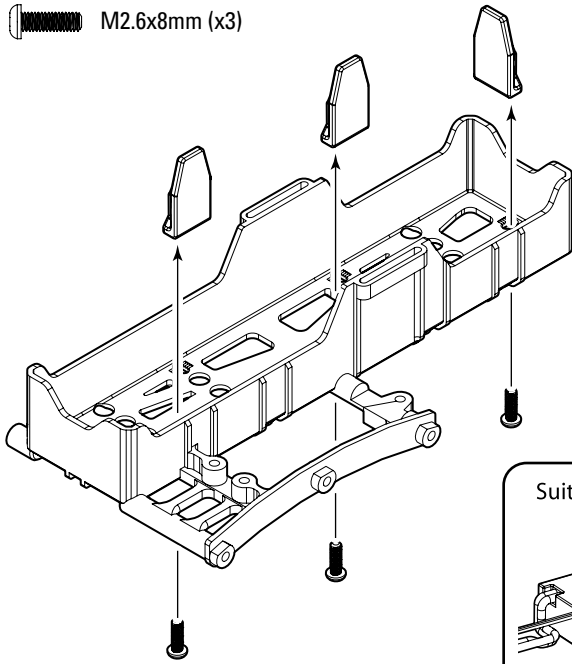
Inspect the spur and pinion gears for damage



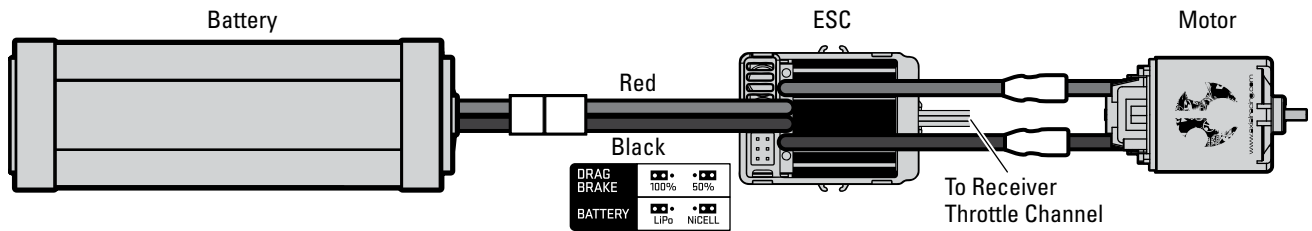
Replace the transmitter batteries when indicated by the transmitter, as described in the Transmitter Functions section

ADJUSTING THE BATTERY TRAY

M2.6x8mm (x3)



AE-5L FORWARD/REVERSE ESC WITH DRAG BRAKE



SETUP

Throttle calibration should not be needed out of the box. However, in order to make the throttle range of different transmitters, the calibration of the ESC is necessary:

- Mount the ESC in an area that is well ventilated and isolated from vibration and shock.
- Connect the ESC motor wires to the motor red-to-red and black-to-black.
- Plug the receiver into the throttle channel of the receiver.
- Before plugging the battery into the ESC, make sure your transmitter is on and the throttle trim is set to zero.
- Connect the battery to the ESC. The vehicle will be powered on when the battery is connected.

CAUTION: Keep all body parts and loose clothing away from any moving parts while the battery is connected to the ESC.

CAUTION: Always connect the ESC only to a proper power source that has the correct voltage and polarity. Incorrect voltages or reversed polarity will damage the ESC. Damage to the ESC caused by improper voltage or polarity is not covered under warranty.

- Test forward and reverse control using the transmitter.

To calibrate the ESC:

- Power the transmitter on and set the throttle control to neutral.
- Connect the battery to the ESC and wait 3 seconds to let the ESC initiate a self-test and automatic throttle calibration.
- The ESC is ready to run when a long beep sound is emitted from the motor.
- Always disconnect the battery when the vehicle is not in use.

NOTES

- The drag brake is set to 100% from the factory.
- The LiPo cut-off is set to "ON" from the factory.

ESC SPECIFICATIONS

Input Voltage	2-3S LiPo, 5-9 Cells NiMH/NiCd
Size	46.5mm x 34mm x 28.5mm
Weight	70g
Motor Limit	12T 2S/18T 3S
On-Resistance FET	.002
Rated/Peak Current	180A
Braking Current	90A
BEC Voltage/A	6.0V 3.0A Peak
PWM Frequency	1KHz

ESC SOUND STATUS

1 Short Beep	Battery is NiMH/NiCd
2 Short Beeps	Battery is 2S LiPo
3 Short Beeps	Battery is 3S LiPo
1 Long Beep	Self-test and throttle calibration is OK and ESC is ready to run

GEAR RATIOS

Spur/Pinion Gear Ratio Chart - LCX Transmission

	12	13	14	15	16	17	18
56	45.50	42.00	39.00	36.40	34.13	32.12	30.33
60	48.75	45.00	41.79	39.00	36.56		

TROUBLESHOOTING

PROBLEM	POSSIBLE CAUSE	SOLUTION
Vehicle does not move	Batteries are not installed properly in the transmitter	Ensure the transmitter batteries are properly installed
	Weak or no battery in the vehicle	Install a freshly charged vehicle battery
	Damaged motor	Replace the motor
	Frayed or broken wiring	Replace any damaged wiring
	ESC is shut down by heat protection circuit	Allow the ESC to cool down completely
Loss of vehicle control	Improper antenna placement	Ensure the transmitter antenna is not blocked and the receiver antenna is located properly
	Weak or no batteries in the transmitter or vehicle	Install a freshly charged vehicle battery and new transmitter batteries
	Neutral or trim position is incorrect	Adjust the steering trim
	Receiver and/or battery not connected properly	Check all receiver and battery connections
Steering and/or throttle function is reversed	Servo travel is reversed at the transmitter	Set the transmitter servo reversing switch to the correct position
	Motor wires are not connected properly	Check all motor wires for correct polarity and secure connection

NOTES

LIMITED WARRANTY

What this Warranty Covers

Horizon Hobby, LLC, (Horizon) warrants to the original purchaser that the product purchased (the "Product") will be free from defects in materials and workmanship for a period of 2 years from the date of purchase.

What is Not Covered

This warranty is not transferable and does not cover (i) cosmetic damage, (ii) damage due to acts of God, accident, misuse, abuse, negligence, commercial use, or due to improper use, installation, operation or maintenance, (iii) modification of or to any part of the Product, (iv) attempted service by anyone other than a Horizon Hobby authorized service center, (v) Product not purchased from an authorized Horizon dealer, or (vi) Product not compliant with applicable technical regulations or (vii) use that violates any applicable laws, rules, or regulations.

OTHER THAN THE EXPRESS WARRANTY ABOVE, HORIZON MAKES NO OTHER WARRANTY OR REPRESENTATION, AND HEREBY DISCLAIMS ANY AND ALL IMPLIED WARRANTIES, INCLUDING, WITHOUT LIMITATION, THE IMPLIED WARRANTIES OF NON-INFRINGEMENT, MERCHANTABILITY AND FITNESS FOR A PARTICULAR PURPOSE. THE PURCHASER ACKNOWLEDGES THAT THEY ALONE HAVE DETERMINED THAT THE PRODUCT WILL SUITABLY MEET THE REQUIREMENTS OF THE PURCHASER'S INTENDED USE.

Purchaser's Remedy

Horizon's sole obligation and purchaser's sole and exclusive remedy shall be that Horizon will, at its option, either (i) service, or (ii) replace, any Product determined by Horizon to be defective. Horizon reserves the right to inspect any and all Product(s) involved in a warranty claim. Service or replacement decisions are at the sole discretion of Horizon. Proof of purchase is required for all warranty claims. SERVICE OR REPLACEMENT AS PROVIDED UNDER THIS WARRANTY IS THE PURCHASER'S SOLE AND EXCLUSIVE REMEDY.

Limitation of Liability

HORIZON SHALL NOT BE LIABLE FOR SPECIAL, INDIRECT, INCIDENTAL OR CONSEQUENTIAL DAMAGES, LOSS OF PROFITS OR PRODUCTION OR COMMERCIAL LOSS IN ANY WAY, REGARDLESS OF WHETHER SUCH CLAIM IS BASED IN CONTRACT, WARRANTY, TORT, NEGLIGENCE, STRICT LIABILITY OR ANY OTHER THEORY OF LIABILITY, EVEN IF HORIZON HAS BEEN ADVISED OF THE POSSIBILITY OF SUCH DAMAGES. Further, in no event shall the liability of Horizon exceed the individual price of the Product on which liability is asserted. As Horizon has no control over use, setup, final assembly, modification or misuse, no liability shall be assumed nor accepted for any resulting damage or injury. By the act of use, setup or assembly, the user accepts all resulting liability. If you as the purchaser or user are not prepared to accept the liability associated with the use of the Product, purchaser is advised to return the Product immediately in new and unused condition to the place of purchase.

Law

These terms are governed by Illinois law (without regard to conflict of law principals). This warranty gives you specific legal rights, and you may also have other rights which vary from state to state. Horizon reserves the right to change or modify this warranty at any time without notice.

WARRANTY SERVICES

Questions, Assistance, and Services

Your local hobby store and/or place of purchase cannot provide warranty support or service. Once assembly, setup or use of the Product has been started, you must contact your local distributor or Horizon directly. This will enable Horizon to better answer your questions and service you in the event that you may need any assistance. For questions or assistance,

please visit our website at www.horizonhobby.com, submit a Product Support Inquiry, or call the toll free telephone number referenced in the Warranty and Service Contact Information section to speak with a Product Support representative.

Inspection or Services

If this Product needs to be inspected or serviced and is compliant in the country you live and use the Product in, please use the Horizon Online Service Request submission process found on our website or call Horizon to obtain a Return Merchandise Authorization (RMA) number. Pack the Product securely using a shipping carton. Please note that original boxes may be included, but are not designed to withstand the rigors of shipping without additional protection. Ship via a carrier that provides tracking and insurance for lost or damaged parcels, as Horizon is not responsible for merchandise until it arrives and is accepted at our facility. An Online Service Request is available at http://www.horizonhobby.com/content/service-center_render-service-center. If you do not have internet access, please contact Horizon Product Support to obtain a RMA number along with instructions for submitting your product for service. When calling Horizon, you will be asked to provide your complete name, street address, email address and phone number where you can be reached during business hours. When sending product into Horizon, please include your RMA number, a list of the included items, and a brief summary of the problem. A copy of your original sales receipt must be included for warranty consideration. Be sure your name, address, and RMA number are clearly written on the outside of the shipping carton.

NOTICE: Do not ship Li-Po batteries to Horizon. If you have any issue with a Li-Po battery, please contact the appropriate Horizon Product Support office.

Warranty Requirements

For Warranty consideration, you must include your original sales receipt verifying the proof-of-purchase date. Provided warranty conditions have been met, your Product will be serviced or replaced free of charge. Service or replacement decisions are at the sole discretion of Horizon.

Non-Warranty Service

Should your service not be covered by warranty, service will be completed and payment will be required without notification or estimate of the expense unless the expense exceeds 50% of the retail purchase cost. By submitting the item for service you are agreeing to payment of the service without notification. Service estimates are available upon request. You must include this request with your item submitted for service. Non-warranty service estimates will be billed a minimum of 1/2 hour of labor. In addition you will be billed for return freight. Horizon accepts money orders and cashier's checks, as well as Visa, MasterCard, American Express, and Discover cards. By submitting any item to Horizon for service, you are agreeing to Horizon's Terms and Conditions found on our website http://www.horizonhobby.com/content/service-center_render-service-center.

ATTENTION: Horizon service is limited to Product compliant in the country of use and ownership. If received, a non-compliant Product will not be serviced. Further, the sender will be responsible for arranging return shipment of the un-serviced Product, through a carrier of the sender's choice and at the sender's expense. Horizon will hold non-compliant Product for a period of 60 days from notification, after which it will be discarded.

10/15


WARRANTY AND SERVICE CONTACT INFORMATION

Country of Purchase	Horizon Hobby	Contact Information	Address
United States of America	Horizon Service Center (Repairs and Repair Requests)	servicecenter.horizonhobby.com/RequestForm/	2904 Research Rd Champaign, IL 61822
	Horizon Product Support (Product Technical Assistance)	productsupport@horizonhobby.com 877-504-0233	
	Sales	websales@horizonhobby.com 800-338-4639	
European Union	Horizon Technischer Service	service@horizonhobby.eu	Hanskampring 9 D 22885 Barsbüttel, Germany
	Sales: Horizon Hobby GmbH	+49 (0) 4121 2655 100	

FCC INFORMATION

FCC ID: 2AI3D-SS0001


This device complies with part 15 of the FCC rules. Operation is subject to the following two conditions: (1) This device may not cause harmful interference, and (2) this device must accept any interference received, including interference that may cause undesired operation.


 **CAUTION:** Changes or modifications not expressly approved by the party responsible for compliance could void the user's authority to operate the equipment.

This product contains a radio transmitter with wireless technology which has been tested and found to be compliant with the applicable regulations governing a radio transmitter in the 2.400GHz to 2.4835GHz frequency range.

SUPPLIER'S DECLARATION OF CONFORMITY

AXI03002 SCX10 II UNIMOG 6x6 RTR

 This device complies with part 15 of the FCC Rules. Operation is subject to the following two conditions: (1) This device may not cause harmful interference, and (2) this device must accept any interference received, including interference that may cause undesired operation.

 **CAUTION:** changes or modifications not expressly approved by the party responsible for compliance could void the user's authority to operate the equipment.

NOTE: This equipment has been tested and found to comply with the limits for a Class B digital device, pursuant to part 15 of the FCC Rules. These limits are designed to provide reasonable protection against harmful interference in a residential installation. This equipment generates, uses and can radiate radio frequency energy and, if not installed and used in accordance with the instructions, may cause harmful interference to radio communications. However, there is no guarantee that interference will not occur in a particular installation. If this equipment does cause harmful interference to radio or television reception, which can be determined by turning the equipment off and on, the user is encouraged to try to correct the interference by one or more of the following measures:

- Reorient or relocate the receiving antenna.
- Increase the separation between the equipment and receiver.
- Connect the equipment into an outlet on a circuit different from that to which the receiver is connected.
- Consult the dealer or an experienced radio/TV technician for help.

Horizon Hobby, LLC
4105 Fieldstone Rd.,
Champaign, IL 61822
Email: compliance@horizonhobby.com
Web: HorizonHobby.com

IC INFORMATION

CAN ICES-3 (B)/NMB-3(B)

IC: 21682-SSTC9202

This device complies with Industry Canada licence-exempt RSS standard(s). Operation is subject to the following two conditions:

(1) this device may not cause interference, and (2) this device must accept any interference, including interference that may cause undesired operation of the device.

COMPLIANCE INFORMATION FOR THE EUROPEAN UNION

EU COMPLIANCE STATEMENT:

AXI03002 SCX10 II UNIMOG 6x6 RTR

Horizon Hobby, LLC hereby declares that this product is in compliance with the essential requirements and other relevant provisions of the RED and EMC Directives.

A copy of the EU Declaration of Conformity is available online at: <http://www.horizonhobby.com/content/support-render-compliance>.

OPERATING FREQUENCY: 2406-2475 MHZ, MAX EIRP: 10DBM



INSTRUCTIONS FOR DISPOSAL OF WEEE BY USERS IN THE EUROPEAN UNION

This product must not be disposed of with other waste. Instead, it is the user's responsibility to dispose of their waste equipment by handing it over to a designated collections point for the recycling of waste electrical and electronic equipment. The separate collection and recycling of your waste equipment at the time of disposal will help to conserve natural resources and ensure that it is recycled in a manner that protects human health and the environment. For more information about where you can drop off your waste equipment for recycling, please contact your local city office, your household waste disposal service or where you purchased the product.



E328

HINWIES

Alle Anweisungen, Garantien und dazugehörigen Dokumente können ohne Ankündigung von Horizon Hobby LLC geändert werden. Eine aktuelle Version ersehen Sie bitte im Support Feld unter: <http://www.horizonhobby.com>.


ERKLÄRUNG DER BEGRIFFE

Die folgenden Begriffe werden in der gesamten Produktliteratur verwendet, um auf unterschiedlich hohe Gefahrenrisiken beim Betrieb dieses Produkts hinzuweisen:

WARNUNG: Wenn diese Verfahren nicht korrekt befolgt werden, ergeben sich wahrscheinlich Sachschäden, Kollateralschäden und schwere Verletzungen ODER mit hoher Wahrscheinlichkeit oberflächliche Verletzungen.

ACHTUNG: Wenn diese Verfahren nicht korrekt befolgt werden, ergeben sich wahrscheinlich Sachschäden UND die Gefahr von schweren Verletzungen.

HINWEIS: Wenn diese Verfahren nicht korrekt befolgt werden, können sich möglicherweise Sachschäden UND geringe oder keine Gefahr von Verletzungen ergeben.

 **WARNUNG:** Lesen Sie die GESAMTE Bedienungsanleitung, um sich vor dem Betrieb mit den Produktfunktionen vertraut zu machen. Wird das Produkt nicht korrekt betrieben, kann dies zu Schäden am Produkt oder persönlichem Eigentum führen oder schwere Verletzungen verursachen. Dies ist ein hochentwickeltes Hobby-Produkt. Es muss mit Vorsicht und gesundem Menschenverstand betrieben werden und benötigt gewisse mechanische Grundfähigkeiten. Wird dieses Produkt nicht auf eine sichere und verantwortungsvolle Weise betrieben, kann dies zu Verletzungen oder Schäden am Produkt oder anderen Sachwerten führen. Versuchen Sie nicht ohne Genehmigung durch Horizon Hobby, LLC, das Produkt zu zerlegen, es mit inkompatiblen Komponenten zu verwenden oder auf jegliche Weise zu erweitern. Diese Bedienungsanleitung enthält Anweisungen für Sicherheit, Betrieb und Wartung. Es ist unbedingt notwendig, vor Zusammenbau, Einrichtung oder Verwendung alle Anweisungen und Warnhinweise im Handbuch zu lesen und zu befolgen, damit es bestimmungsgemäß betrieben werden kann und Schäden oder schwere Verletzungen vermieden werden.


Nicht geeignet für Kinder unter 14 Jahren. Dies ist kein Spielzeug.

SICHERHEITSHINWEISE UND WARNUNGEN

Als Nutzer dieses Produktes, sind Sie allein verantwortlich, es in einer Art und Weise zu benutzen, die eine eigene Gefährdung und die anderer oder Beschädigung an anderem Eigentum ausschließt.

Das Modell ist ferngesteuert und anfällig für bestimmte äußere Einflüsse. Diese Einflüsse können zum vorübergehenden Verlust der Steuerfähigkeit führen, so dass es immer sinnvoll ist genügend Sicherheitsabstand in alle Richtungen um das Modell zu haben.

- Fahren Sie das Modell nie mit fast leeren oder schwachen Senderbatterien.
- Betreiben Sie Ihr Modell stets auf offenen Geländen, weit ab von Automobilen, Verkehr und Menschen.
- Fahren Sie Ihr Modell nicht auf der Straße oder belebten Plätzen.
- Beachten Sie vorsichtig alle Hinweise und Warnungen für das Modell und allen dazu gehörigen Equipment.
- Halten Sie alle Chemikalien, Kleinteile und elektrische Bauteile aus der Reichweite von Kindern.
- Lecken Sie niemals an Teilen von Ihrem Modell oder nehmen diese in den Mund, da diese Sie ernsthaft verletzen oder töten können.
- Seien Sie immer aufmerksam wenn Sie Werkzeug oder scharfe Instrumente verwenden.
- Seien Sie bei dem Bau vorsichtig, da einige Teile scharfe Kanten haben könnten.
- Fassen Sie bitte unmittelbar nach dem Betrieb nicht den Motor, Regler oder Akku an, da diese Teile sich sehr erwärmen können und Sie sich bei dem berühren ernsthaft verbrennen können.
- Fassen Sie nicht in drehende oder sich bewegende Teile, da sich ernsthaft dabei verletzen können.
- Schalten Sie immer zuerst den Sender ein, bevor Sie den Empfänger im Fahrzeug einschalten.
- Stellen Sie das Fahrzeug mit den Rädern nicht auf den Boden, wenn Sie die Funktionen überprüfen.

 **WARNUNG VOR GEFÄLSCHTEN PRODUKTEN:** Sollten Sie jemals eine Spektrum Komponente ersetzen wollen, kaufen Sie die benötigten Ersatzteile immer bei Horizon Hobby oder einem von Horizon Hobby autorisierten Händler, um sicherzugehen, dass Sie beste Spektrum Qualität erhalten. Horizon Hobby, LLC lehnt jedwede Haftung, Garantie und Serviceleistung in Bezug auf, aber nicht ausschließlich für, Kompatibilitäts- und Leistungsansprüche von gefälschten Produkten oder Produkten, die angeben mit DSM oder Spektrum kompatibel zu sein, ab.

INHALTSVERZEICHNIS


Wassergeschütztes Fahrzeug mit wasserdichter Elektronik	15	Die Akku-Halterung anpassen.....	22
Packungsinhalt.....	16	AE-5L Vorwärts-/Rückwärts-Geschwindigkeitsregler mit Schleppbremse	22
Erforderliches Zubehör	16	Übertragungsverhältnis	23
Empfohlene Werkzeuge	16	Troubleshooting.....	23
Erste-Schritte-Checkliste	17	Anmerkungen	23
Fahrzeugteile	17	Eingeschränkte Garantie	24
Laden des Fahrzeug-Akkus	18	Garantie und Service Kontaktinformationen.....	24
Einsetzen der Senderbatterien.....	18	Konformitätshinweise für die Europäische Union.....	25
Funktionen des Senders	18	Teilereferenz.....	50
Den Fahrzeug-Akku einsetzen	19	Explosionszeichnungen	55
Binden.....	20	Teilleisten	59
Reichweitentest für das Funksystem durchführen	20	Elektronik.....	61
Fahrzeugwartung.....	21		

WASSERGESCHÜTZTES FAHRZEUG MIT WASSERDICHTER ELEKTRONIK

Ihr neues Horizon Hobby Fahrzeug wurde mit einer Kombination von wasserfesten und spritzwassergeschützten Komponenten ausgestattet, die den Betrieb des Fahrzeuges unter nassen Bedingungen inklusive Pfützen, Bächen, nassem Gras, Schnee oder sogar Regen ermöglichen.

Obwohl das Fahrzeug sehr wasserfest ausgelegt ist, ist es nicht vollständig wasserdicht und sollte NICHT wie ein U-Boot behandelt werden. Die verschiedenen elektronischen Komponenten wie der elektronische Fahrtregler (ESC), die Servos und Empfänger sind wasserdicht, die meisten mechanischen Komponenten sind nur wasserbeständig und sollten daher nicht untergetaucht werden.

Metallteile, inklusive Lager, Bolzen Schrauben und Muttern wie auch die Kontakte in den elektrischen Kabeln sind für Korrosion anfällig wenn nicht zusätzliche Wartung nach jedem Betrieb in feuchter/nasser Umgebung erfolgt. Um die Langzeitleistung und die Garantie ihres Fahrzeuges zu erhalten, müssen Sie die Wartung wie in der Wartungsanleitung nach Fahrten in nasser Umgebung beschrieben durchführen. Sollten Sie diese zusätzliche Wartung nicht ausführen wollen, dürfen Sie ihr Fahrzeug unter diesen Bedingungen nicht betreiben.

 **ACHTUNG:** Mangelnde Aufmerksamkeit bei dem Gebrauch dieses Produktes in Verbindung mit den folgenden Sicherheitshinweisen könnte zu Fehlfunktionen und zum Verlust der Garantie führen.

ALLGEMEINE SICHERHEITSHINWEISE

- Bitte lesen Sie sich die Wartungsanleitung nach Fahrten in nasser Umgebung sorgfältig durch und stellen sicher, dass Sie alle Werkzeuge für eine Wartung des Fahrzeuges haben.
- Sie können nicht alle Akkutypen für Fahrten in nasser Umgebung nutzen. Fragen Sie dazu vor dem Einsatz den Hersteller des Akkus. Achtsamkeit und Vorsicht ist notwendig wenn Sie LiPo Akkus in feuchten Umgebungen einsetzen.
- Die meisten Sender sind nicht wasserfest. Sehen Sie bitte dazu vor Inbetriebnahme in der Bedienungsanleitung ihres Senders nach oder kontaktieren Sie den Hersteller.
- Nehmen Sie niemals den Sender bei Blitzen oder Gewitter in Betrieb.
- Betreiben Sie ihr Fahrzeug nicht an Orten wo es in Kontakt mit Salzwasser oder verschmutzten, belasteten Gewässern kommen kann. Salzwasser ist sehr leitend und stark korrosionsfördernd, sein Sie daher sehr achtsam.
- Schon geringer Wasserkontakt kann den Motor beschädigen wenn er nicht für den Betrieb in Wasser ausgelegt ist. Sollte der Motor nass geworden sein geben Sie etwas Gas bis die meiste Feuchtigkeit vom Motor entfernt ist. Lassen Sie einen nassen Motor auf hoher Geschwindigkeit laufen wird dieses den Motor sehr schnell beschädigen.
- Fahren in nasser Umgebung kann die Lebenszeit des Motors reduzieren, da dieses den Motor stark beansprucht. Verändern Sie die Untersetzung zu einem kleinerem Ritzel oder größeren Zahnrad. Dieses erhöht das Drehmoment (und verlängert die Motorlebensdauer) bei dem Betrieb in Matsch, tieferen Pfützen oder anderen Bedingungen, die die Last des Motors für einen längeren Zeitraum erhöhen.

WARTUNGSANLEITUNG NACH FAHRTEN IN NASSER UMGEBUNG

- Entfernen Sie Wasser in den Reifen durch Gas geben. Nehmen Sie die Karosserie ab, drehen das Fahrzeug auf den Kopf und geben ein paar Mal kurz Vollgas bis das Wasser aus dem Reifen entfernt ist.



ACHTUNG: Halten Sie immer die Hände, Finger, Werkzeuge und andere lose oder hängende Objekte weg von drehenden Teilen wenn Sie diese Technik des Trocknens praktizieren.

- Entfernen Sie die Akkupacks und trocknen die Kontakte. Sollten Sie einen Kompressor oder Druckluft zur Verfügung haben, blasen Sie damit das Wasser aus dem Motorgehäuse.
- Nehmen Sie die Reifen und Felgen vom Fahrzeug ab und spülen Sie vorsichtig mit einem Gartenschlauch ab. Vermeiden Sie die Lager oder den Antrieb direkt zu spülen.

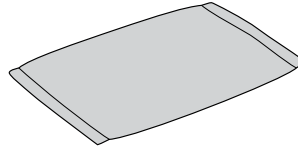
HINWEIS: Verwenden Sie keinen Hochdruckreiniger um das Fahrzeug zu reinigen.

- Reinigen Sie das Fahrzeug mit Druckluft aus einem Kompressor oder einer Druckluftflasche und entfernen so das Wasser aus den Spalten und Ecken.
- Sprühen Sie alle Lager, Befestigungen und andere Metallteile mit einem wasserverdrängendem Leichtöl oder Schmiermittel ein. Sprühen Sie nicht den Motor ein.
- Lassen Sie das Fahrzeug vor dem Einlagern vollständig trocknen. Das Abtropfen von Wasser (und Öl) kann durchaus ein paar Stunden dauern.
- Erhöhen Sie die Wartungsintervalle (Demontage, Inspektion und schmieren) von folgenden Komponenten:
 - Vorder- und Hinterachse, Aufnahme und Lager.
 - Alle Antriebswellen Lager, Gehäuse, Getriebe und Differentiale.
 - Motor: reinigen Sie den Motor mit einen Aerosol Reiniger und ölen Sie dann die Lager mit leichtem Motoröl.

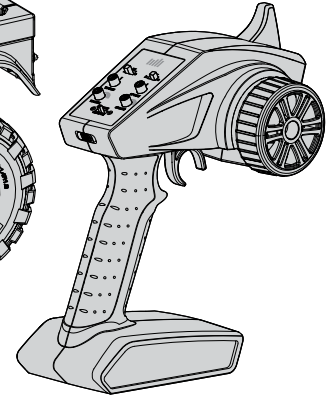
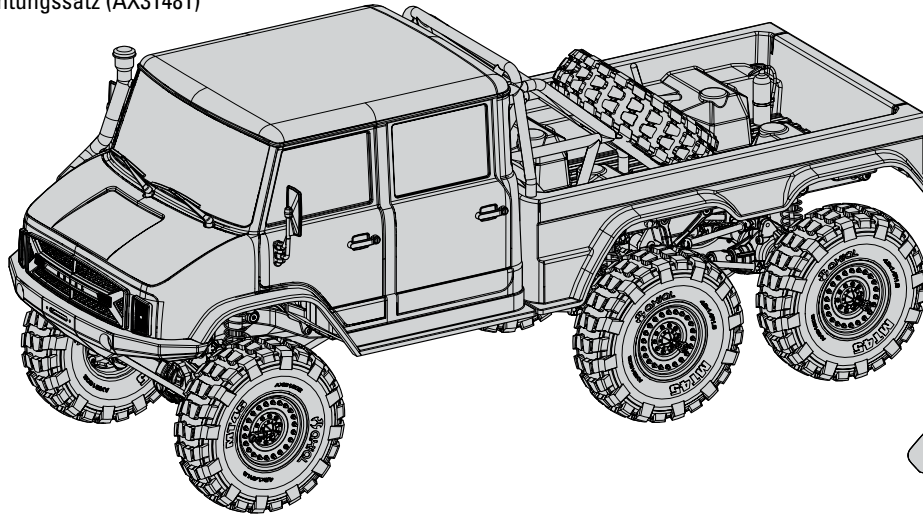
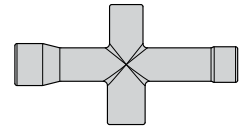
PACKUNGSIHALT

- Spektrum STX2 2,4 GHz Sender (SPMSTX200)
- AX103002 SCX10 II UNIMOG 6x6 RTR
 - 35T Elektromotor (AX31312)
 - SRX200 2CH Empfänger (SPMSRX200)
 - 9KG Servo, wasserdicht, Metallgetriebe, 23T (SPMS605)
 - AE-5L Geschwindigkeitsregler mit LED-Anschlüssen und -Leuchten (DYNX2213)
 - AE-5L LED-Beleuchtungssatz (AX31481)

- Teilebeutel



- Kreuzschlitzschlüssel



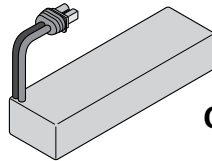
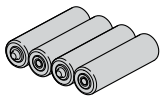
ERFORDERLICHES ZUBEHÖR

- (4) AA-Alkali-Batterien

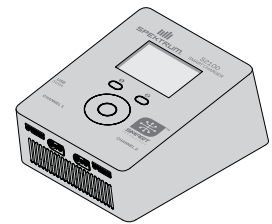
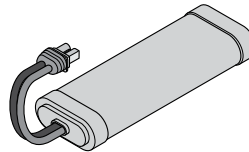
- 2-3S >LiPo-Akku

- 5-9-zelliger NiMH/NiCd-Akku
(IC3-Anschluss erforderlich)

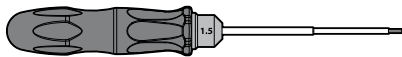
- Akkuladegerät kompatibel mit dem gewählten Fahrzeugakkutyp



ODER



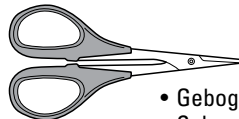
EMPFOHLENE WERKZEUGE



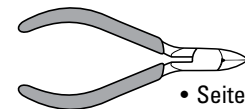
- Sechskantschlüssel
(1,5, 2,0, 2,5 mm)



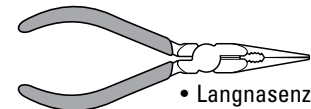
- Hobbymesser



- Gebogene Schere



- Seitenschneider



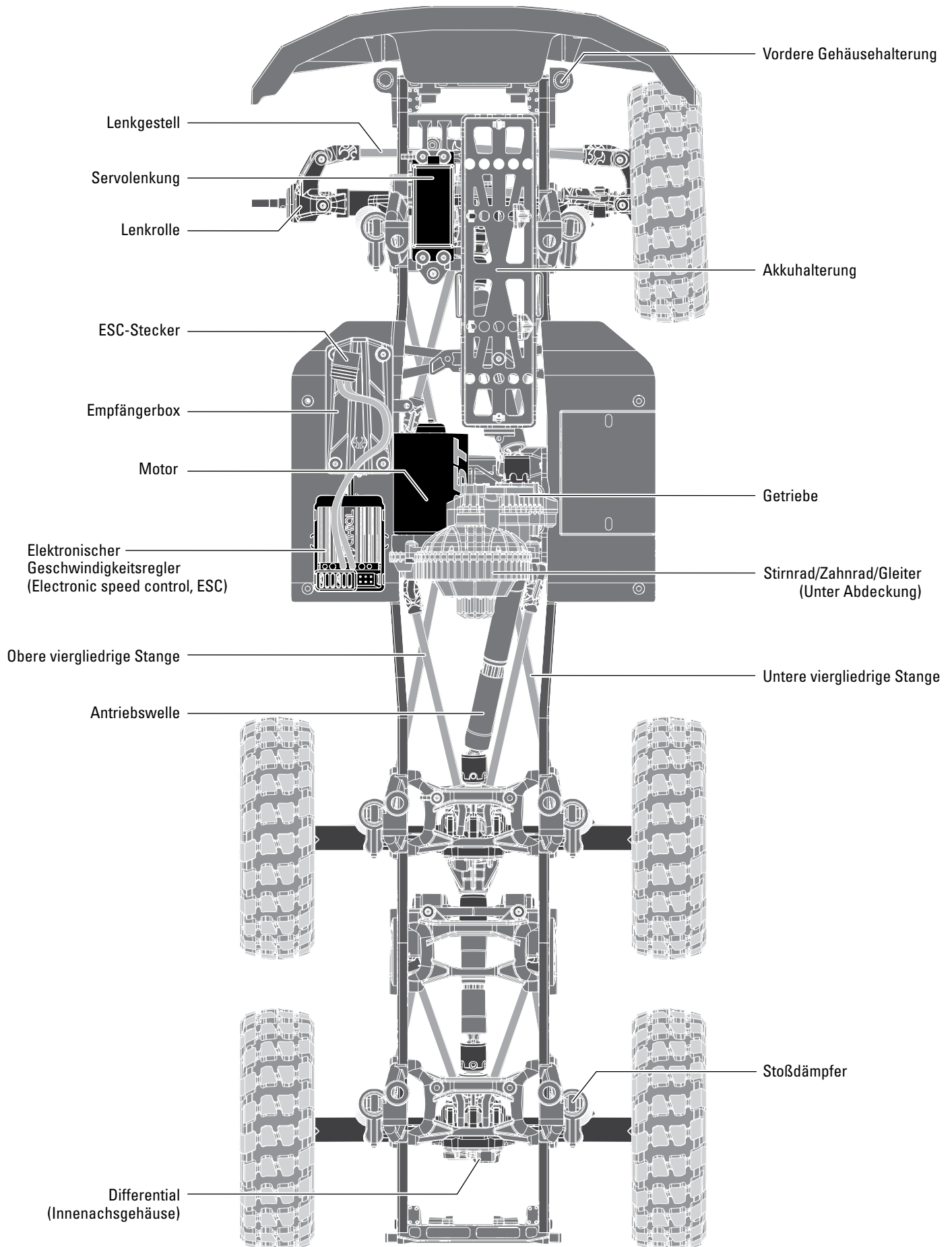
- Langnasenzange

ERSTE-SCHRITTE-CHECKLISTE

Lesen Sie das Handbuch
Machen Sie sich mit dem Fahrzeug und seinen Komponenten vertraut
Alle Schrauben, insbesondere die Feststellschrauben der Antriebswelle, werksseitig auf festen Sitz prüfen
Laden des Fahrzeug-Akkus
Die 4 AA-Batterien in den Sender einsetzen
Den Sender einschalten

Die Akkus in das Fahrzeug einsetzen
Überprüfen der ordnungsgemäßen Funktion der Gaszufuhr und der Lenkung
Reichweitentest für das Funksystem durchführen
Fahren Sie das Fahrzeug, fordern Sie sich selbst heraus und genießen Sie es!
Notwendige Wartungsmaßnahmen am Fahrzeug vornehmen

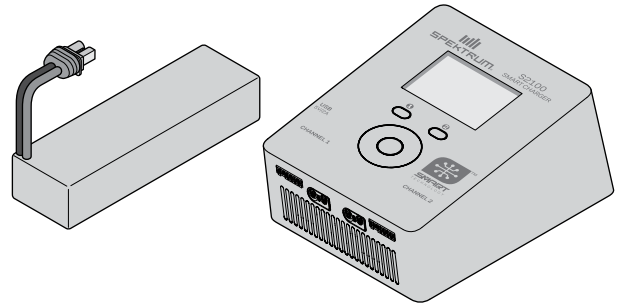
FAHRZEUGTEILE



LADEN DES FAHRZEUG-AKKUS

Befolgen Sie die Anweisungen des Herstellers Ihres Ladegeräts, um den Fahrzeug-Akku ordnungsgemäß zu laden.

⚠️ ACHTUNG: Verwenden Sie nur Ladegeräte, die für das Laden des gewählten Akkutyps ausgelegt sind. Die Verwendung eines falschen Ladegeräts oder eine falsche Ladeeinstellung kann dazu führen, dass der Akku brennt oder explodiert.



EINSETZEN DER SENDERBATTERIEIEN

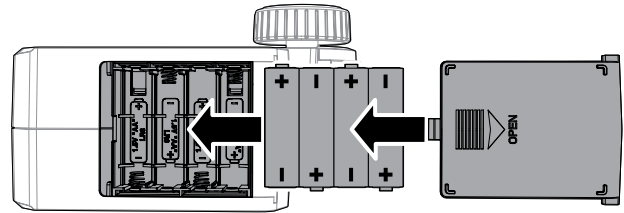
Für den Betrieb sind 4 AA Batterien erforderlich.

1. Nehmen Sie die Batterieklappe vom Sender ab.
2. Setzen Sie die Batterien wie abgebildet ein.
3. Setzen Sie die Batterieklappe wieder auf.

⚠️ ACHTUNG: Entfernen Sie niemals Batterien aus dem Sender, während das Modell eingeschaltet ist. Ein Verlust der Kontrolle über das Modell, Schäden oder Verletzungen können auftreten.

⚠️ ACHTUNG: Wenn Sie wiederaufladbare Akkus verwenden dürfen Sie nur diese laden. Das Laden von nicht aufladbaren Batterien könnte diese zur Explosion bringen, was Sach- und Personenschäden zur Folge haben könnte.

⚠️ ACHTUNG: Es besteht Explosionsrisiko wenn die Akkus durch einen falschen Typ ersetzt werden. Entsorgen Sie verbrauchte Batterien den Vorschriften entsprechend.



FUNKTIONEN DES SENDERS

A. Umkehren der Servolaufrichtung

Zum Umkehren der Kanäle Gas (TH) oder Lenkung (ST) schalten Sie die Position des entsprechenden Schalters um – „N“ steht für normal, „R“ steht für umkehren.

B. Drosseltrimmung

Passt den Neutralpunkt der Drosseltrimmung an

C. Lenktrimmung

Passt den Mittelpunkt der Lenkung an. Normalerweise wird die Lenktrimmung angepasst, bis die Fahrspur gerade ist.

D. Drosselübersetzung

Passt den Endpunkt der Drossel an

E. Lenkübersetzung

Passt den Endpunkt der Lenkung an

F. Anzeige-Leuchten

- Durchgehend rote Leuchten: Zeigt die Funkverbindung und adäquate Akku-Leistung an
- Aufblinkende rote Leuchten: Zeigt eine kritisch niedrige Akku-Spannung an. Akkus ersetzen

G. Drosselungsgrenzen

Begrenzt die Drosselausgabe auf 50/75/100 %

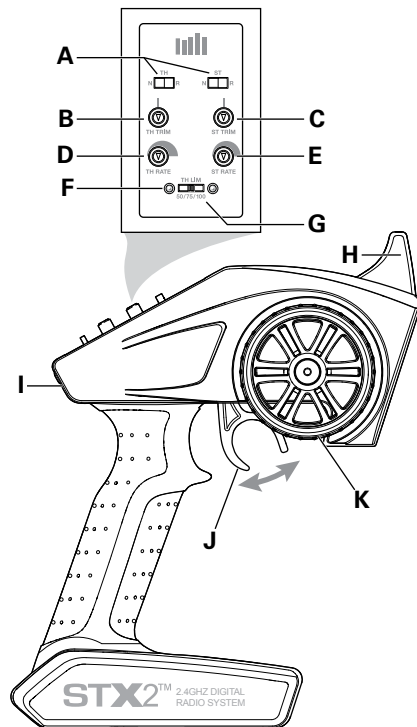
Wählen Sie 50 % oder 75 %, wenn Sie ein weniger erfahrener Fahrer sind oder wenn Sie das Fahrzeug auf einer kleinen Fläche fahren.

H. Antenne

I. Betriebstaste

J. Gas/Bremse

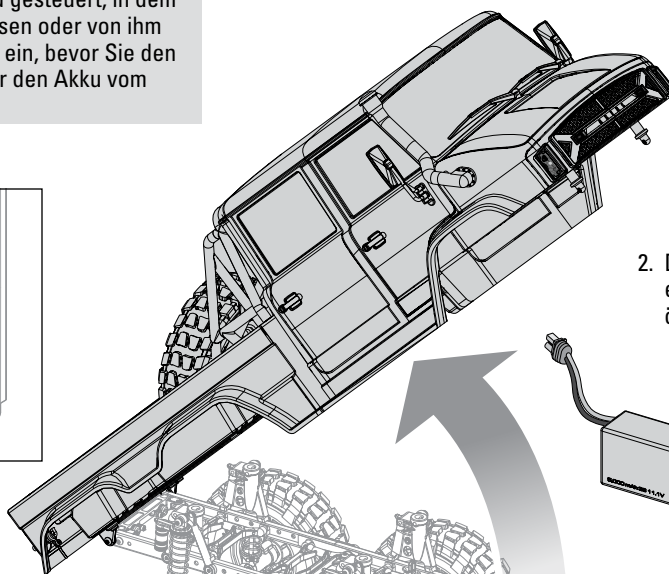
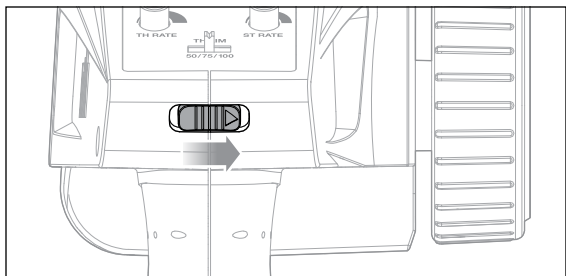
K. Lenkrad



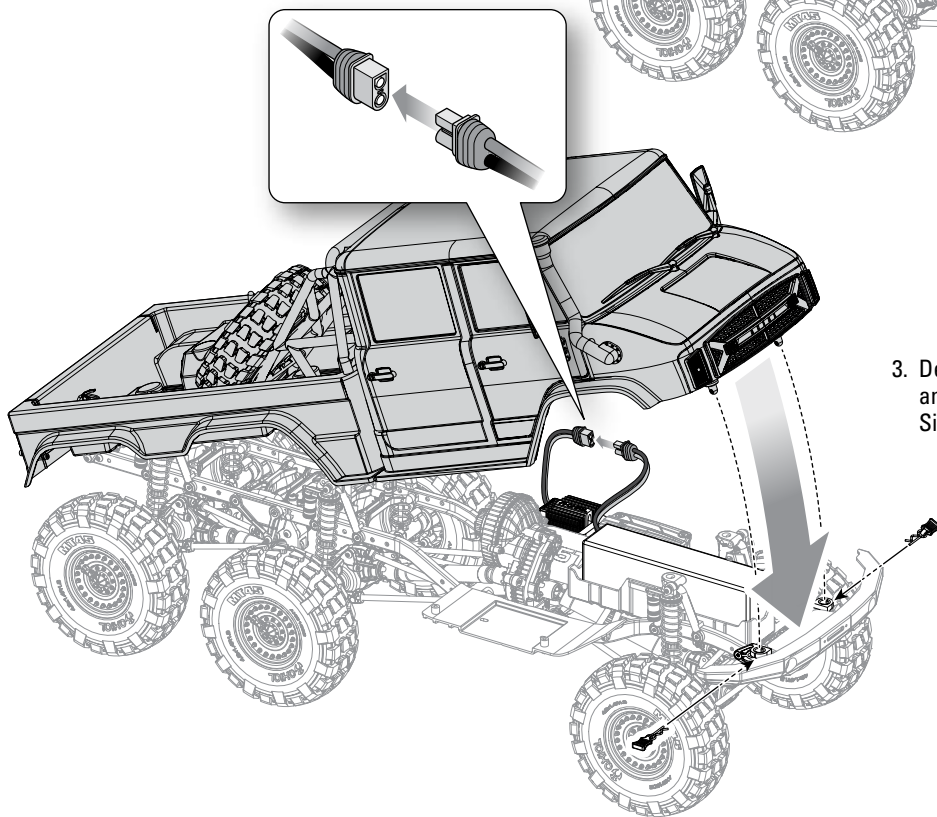
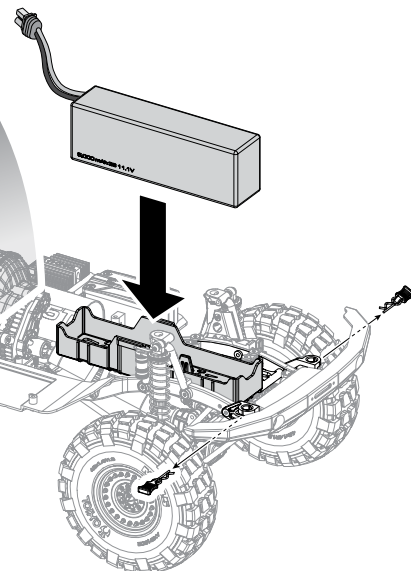
DEN FAHRZEUG-AKKU EINSETZEN

HINWEIS: Die Stromversorgung des Fahrzeugs wird gesteuert, in dem der Akku an den Geschwindigkeitsregler angeschlossen oder von ihm getrennt wird. Schalten Sie den Sender immer zuerst ein, bevor Sie den Fahrzeugakku anschließen. Bei Nichtgebrauch immer den Akku vom Geschwindigkeitsregler trennen.

1. Den Sender einschalten.

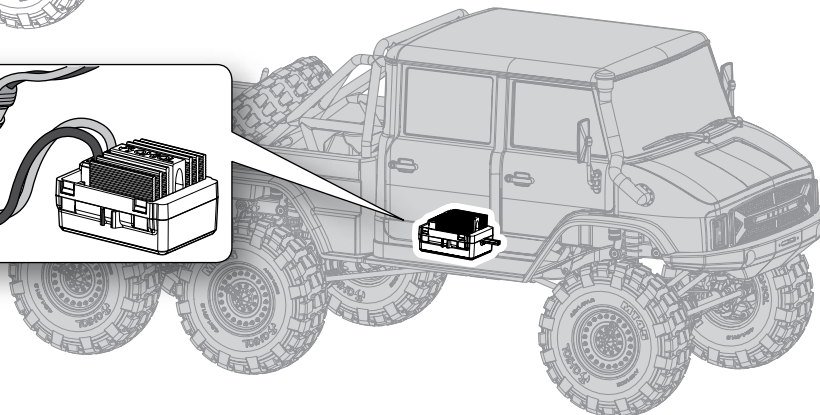
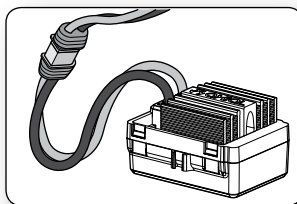


2. Die Gehäuseklemmen entfernen und die Haube öffnen.



3. Den Akku an den Geschwindigkeitsregler anschließen. Schließen Sie die Haube und setzen Sie die Gehäuseklemmen wieder ein.

HINWEIS: Bevor der Sender ausgeschaltet wird, den Akku immer vom Geschwindigkeitsregler trennen. Ein Schaden an der Fahrzeugsteuerung kann die Folge sein.



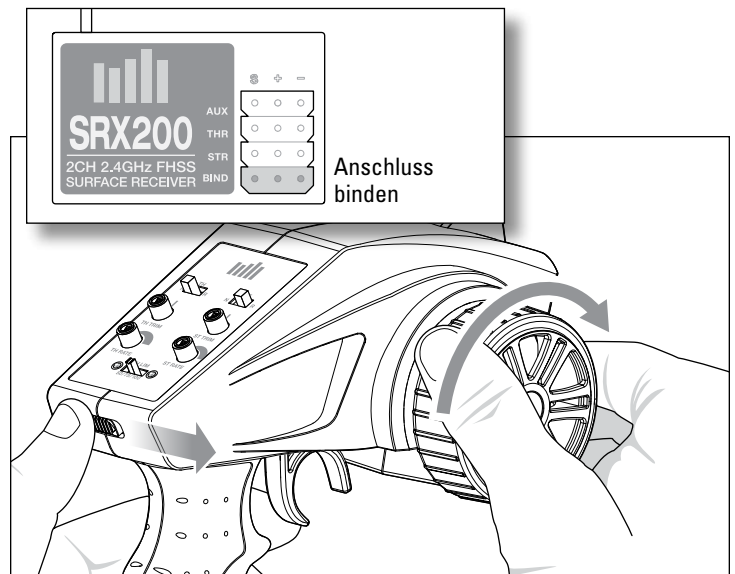
BINDEN

Das Binden ist der Vorgang, durch den der Empfänger darauf programmiert wird, den GUID-Code (Globally Unique Identifier) eines einzelnen Senders zu erkennen. Der STX2-Sender und der SPMSRX200-Empfänger sind werksseitig gebunden. Muss eine erneute Bindung durchgeführt werden, so ist die nachfolgende Anleitung zu befolgen.

1. Den Bindungsstecker in den BINDUNGS-Anschluss am Empfänger einstecken.
2. Ein voll aufgeladenes Akkupack mit dem Geschwindigkeitsregler verbinden.
3. Den Geschwindigkeitsregler einschalten. Die rote LED blinkt und zeigt an, dass sich der Empfänger im Bindungsmodus befindet.
4. Die Steuerungen „ST TRIM“ und „TH TRIM“ auf dem Sender zentrieren.
5. Das Steuerrad vollständig nach rechts drehen. Den Sender einschalten, während das Steuerrad nach rechts gehalten wird.
6. Das Steuerrad loslassen, wenn die Empfänger-LED nicht länger blinkt.
7. Den Bindungsstecker trennen, dann den Empfänger zum Speichern der Einstellungen ausschalten.
8. Den Sender ausschalten.
9. Den Bindungsstecker entfernen und an einem geeigneten Platz lagern.

Ein erneutes Binden muss erfolgen, wenn:

- Andere Failsafe-Positionen gewünscht werden, z. B. wenn Gas oder Steuerung geändert wurden.
- Der Empfänger an einen anderen Sender gebunden wird.



REICHWEITENTEST FÜR DAS FUNKSYSTEM DURCHFÜHREN

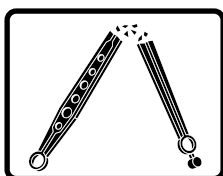
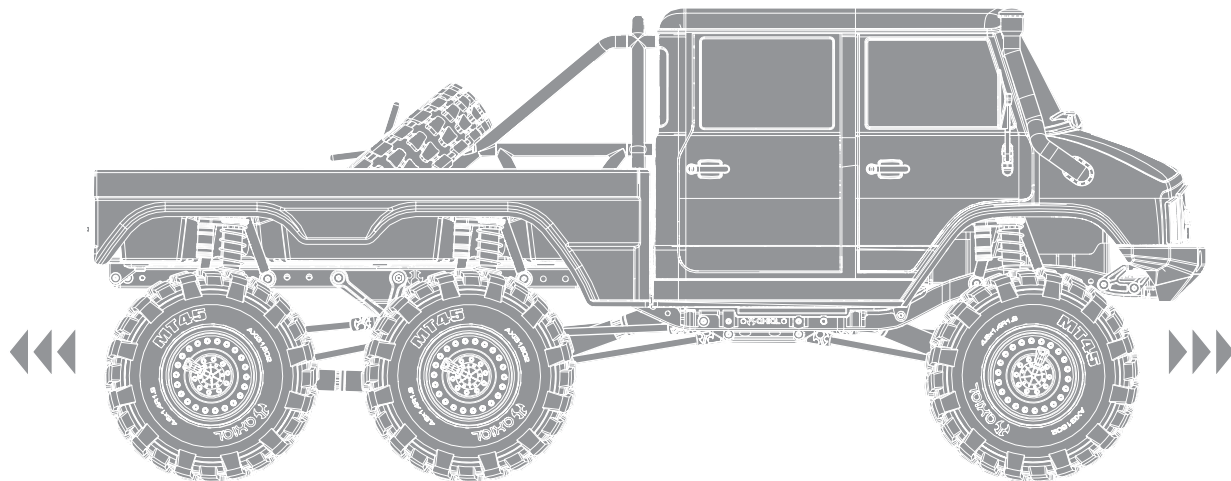
Das Funksystem sollte vor dem Betrieb des Fahrzeugs überprüft werden, um einen ordnungsgemäßen Betrieb und eine ausreichende Reichweite zu gewährleisten.

1. Den Sender einschalten.
2. Den Akku an das Fahrzeug anschließen.
3. Bitten Sie jemanden das Fahrzeug zu halten, damit Sie Hände und lose Kleidung von beweglichen Teilen fernhalten können.
4. Bewegen Sie sich so weit vom Fahrzeug weg, bis Sie den maximal geplanten Betriebsabstand zum Fahrzeug erreicht haben.
5. Drehen Sie das Steuerrad von einer Seite zur anderen und betätigen Sie die Gaszufuhr, sowohl vorwärts als auch rückwärts, und achten Sie darauf, ob Sie irgendein unregelmäßiges Verhalten bemerken.
6. Wenn ein unregelmäßiges Verhalten auftritt, dürfen Sie das Fahrzeug NICHT zum Einsatz bringen. Wenden Sie sich in diesem Fall an den Kundendienst.

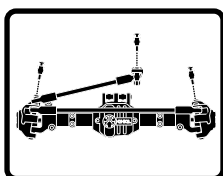


FAHRZEUGWARTUNG

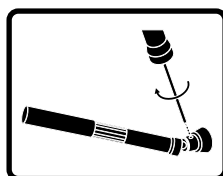
Genau wie bei einem richtigen Auto oder LKW muss Ihr RC-Fahrzeug regelmäßig gewartet werden, um eine hohe Leistungsfähigkeit zu gewährleisten. Vorbeugende Wartung hilft auch, unnötige Ausfälle zu vermeiden, die zu kostspieligen Reparaturen führen können. Nachfolgend finden Sie einige Vorschläge zur ordnungsgemäßen Wartung Ihres Fahrzeugs.



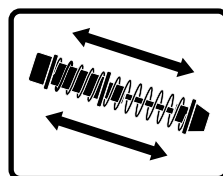
Ersetzen Sie alle erkennbaren gebogenen oder gebrochenen Teile



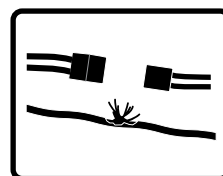
Überprüfen Sie den Verschleiß der Kugelgelenke an den Lenkgliedern und Aufhängungen (ggf. austauschen)



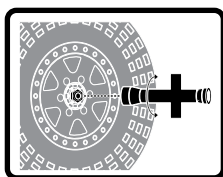
Die Einstellung der Schrauben für die Antriebswelle prüfen und ggf. Gewindegewindestift anbringen



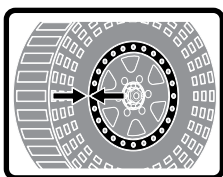
Die Stoßdämpfer auf reibungslosen, gedämpften Betrieb prüfen



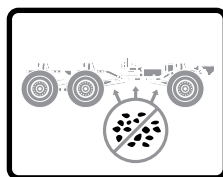
Überprüfen, ob lose Verbindungen oder ausgefranste Kabel vorhanden sind



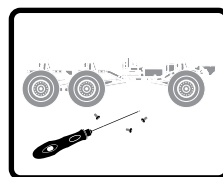
Die Radmuttern auf festen Sitz prüfen



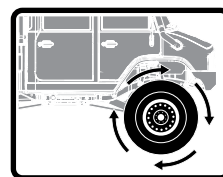
Sicherstellen, dass die Radflanschen noch fest über den gesamten Umfang der Felge verbunden sind



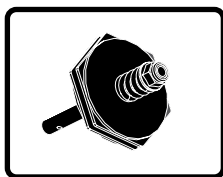
Die Karosserie frei von Schmutz und Ablagerungen halten



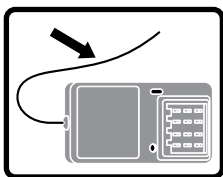
Die Karosserie auf lose Schrauben überprüfen, insbesondere die Schrauben für Achsschenkel, C-Naben und Achsausgänge



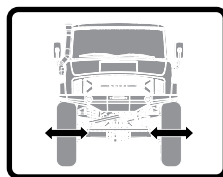
Überprüfen des Antriebsstrangs auf einen reibungslosen, bindungsfreien Betrieb



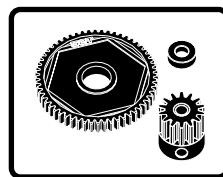
Ggf. die Gleitkupplung auf ihre einwandfreie Funktion überprüfen



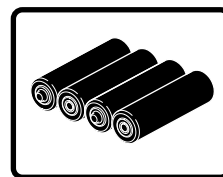
Die Empfängerantenne auf Beschädigungen prüfen



Die Lenkfunktion auf eine mögliche Bindung überprüfen



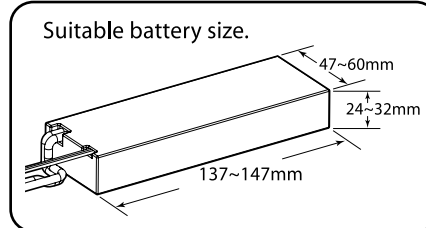
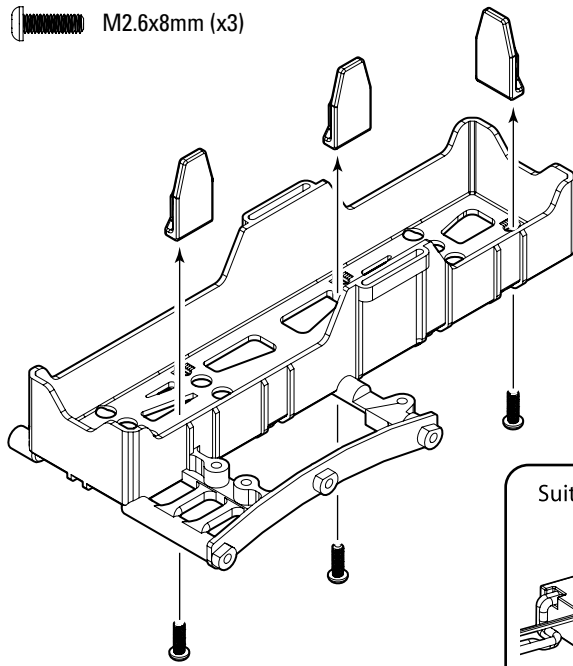
Überprüfen des Stirnrads und der Ritzelräder auf Beschädigungen



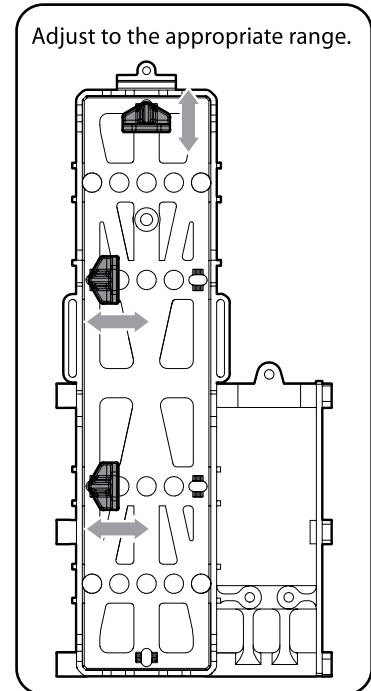
Die Sender-Akkus ersetzen, wenn der Sender dies, wie im Abschnitt Senderfunktionen beschrieben, anzeigt

DIE AKKU-HALTERUNG ANPASSEN

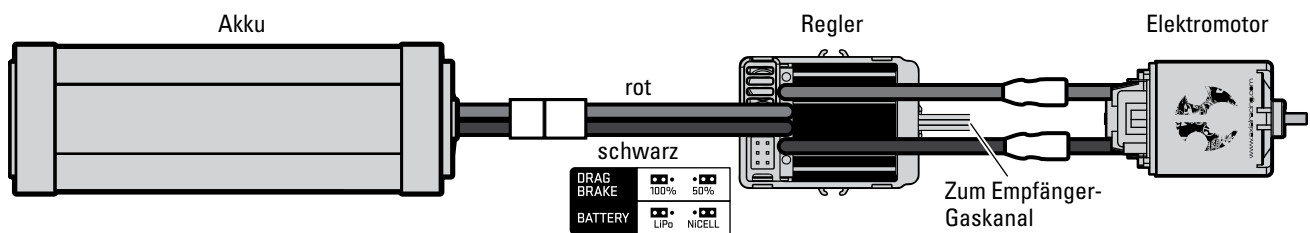
M2.6x8mm (x3)



Adjust to the appropriate range.



AE-5L VORWÄRTS-/RÜCKWÄRTS-GESCHWINDIGKEITSREGLER MIT SCHLEPPBREMSE



KONFIGURATION

Die Gaszufuhrkalibrierung ist nicht direkt nach dem Auspacken erforderlich. Um allerdings den Gaszufuhrbereich verschiedener Sender einzustellen, ist die Kalibrierung des Geschwindigkeitsregler notwendig:

- Bei der Befestigung des Geschwindigkeitsreglers darauf achten, dass Sie sich in einer gut belüfteten und vibrations- und stoßfreien Umgebung befinden.
- Die Motorkabel des Geschwindigkeitsreglers an den Motor rot-rot und schwarz-schwarz anschließen.
- Den Geschwindigkeitsregler mit dem Gaskanal des Empfängers verbinden.
- Bevor der Akku in den Geschwindigkeitsregler eingesteckt wird, sicherstellen, dass der Sender eingeschaltet ist und die Gastrimmung auf Null steht.
- Den Akku an den Geschwindigkeitsregler anschließen. Das Fahrzeug wird eingeschaltet, wenn der Akku angeschlossen ist.

⚠ ACHTUNG: Alle Körperteile und lose Kleidung von beweglichen Teilen fernhalten, wenn der Akku mit dem Geschwindigkeitsregler verbunden ist.

⚠ ACHTUNG: Den Geschwindigkeitsregler immer nur an eine geeignete Stromquelle mit der richtigen Spannung und Polarität anschließen. Falsche Spannungen oder umgekehrte Polarität führen zu Schäden am Geschwindigkeitsregler. Schäden am Geschwindigkeitsregler, die durch unsachgemäße Spannung oder Polarität verursacht werden, fallen nicht unter die Garantie.

- Mit dem Sender die Vorwärts- und Rückwärtssteuerung testen.

Um den Geschwindigkeitsregler zu kalibrieren:

- Den Sender einschalten und die Gaszufuhr auf Neutralposition stellen.
- Den Akku an den Geschwindigkeitsregler anschließen und 3 Sekunden warten, bis der Geschwindigkeitsregler einen Selbsttest und eine automatische Gaszufuhrkalibrierung eingeleitet hat.
- Der Geschwindigkeitsregler ist betriebsbereit, wenn ein langer Signalton vom Motor ausgegeben wird.
- Den Akku immer abklemmen, wenn das Fahrzeug nicht in Gebrauch ist.

WICHTIG

- Die Schlepplbremse ist werksseitig auf 100 % eingestellt.
- Die LiPo-Abschaltung ist werksseitig auf „EIN“ eingestellt.

SPEZIFIKATIONEN FÜR DEN GESCHWINDIGKEITSREGLER

Eingangsspannung	2-3S LiPo, 5-9 Zellen NiMH/NiCd
Größe	46,5 mm x 34 mm x 28,5 mm
Gewicht	70 g
Motorlimit	12T 2S/18T 3S
Einschaltwiderstand FET	.002
Nenn-/Spitzenstrom	180A
Bremsstrom	90A
BEC-Spannung/A	6.0V 3.0A Spitzenstrom
PWM-Frequenz	1KHz

SIGNALSTATUS DES GESCHWINDIGKEITSREGLERS

1 kurzer Piepton	Akku ist NiMH/NiCd
2 kurze Pieptöne	Akku ist 2S LiPo
3 kurze Pieptöne	Akku ist 3S LiPo
1 langer Piepton	Selbsttest und Gaszufuhrkalibrierung ist in Ordnung und der Geschwindigkeitsregler ist betriebsbereit

ÜBERTRAGUNGSVERHÄLTNIS

Tabelle der Stirnrad-/Zahnradübersetzung – LCX-Getriebe

	12	13	14	15	16	17	18
56	45.50	42.00	39.00	36.40	34.13	32.12	30.33
60	48.75	45.00	41.79	39.00	36.56		

PROBLEMLÖSUNG

PROBLEM	MÖGLICHE URSACHE	LÖSUNG
Fahrzeug bewegt sich nicht	Die Akkus sind nicht richtig in den Sender eingesetzt	Sicherstellen, dass die Sender-Akkus richtig eingesetzt sind
	Schwacher oder kein Akku im Fahrzeug	Einsetzen eines neu aufgeladenen Fahrzeug-Akkus
	Beschädigter Motor	Motor ersetzen
	Ausgefranzte oder gebrochene Kabel	Jedes beschädigte Kabel ersetzen
	Geschwindigkeitsregler wird durch Hitzeschutzschaltung abgeschaltet	Den Geschwindigkeitsregler vollständig abkühlen lassen
Schaden an/Verlust der Fahrzeugsteuerung	Unsachgemäße Positionierung der Antenne	Sicherstellen, dass die Senderantenne nicht blockiert ist und die Empfängerantenne richtig positioniert ist
	Schwacher oder kein Akku im Sender oder Fahrzeug	Einsetzen eines neu aufgeladenen Fahrzeug- oder Sender-Akkus
	Neutral- oder Trimmposition ist falsch	Steuertrimmung ausrichten
	Empfänger und/oder Akku nicht richtig angeschlossen	Alle Empfänger- und Akku-Verbindungen überprüfen
Steuer- und/oder Gaszufuhrfunktion ist vertauscht	Der Servo-Verfahrweg ist umgekehrt am Sender	Den Servoumkehrschalter des Senders in die richtige Position bringen
	Motorkabel sind nicht ordnungsgemäß verbunden	Überprüfen aller Motorkabel auf korrekte Polarität und sichere Verbindung

ANMERKUNGEN

INGESCHRÄNKTE GARANTIE

Warnung

Ein ferngesteuertes Modell ist kein Spielzeug. Es kann, wenn es falsch eingesetzt wird, zu erheblichen Verletzungen bei Lebewesen und Beschädigungen an Sachgütern führen. Betreiben Sie Ihr RC-Modell nur auf freien Plätzen und beachten Sie alle Hinweise der Bedienungsanleitung des Modells wie auch der Fernsteuerung.

Garantiezeitraum

Exklusive Garantie Horizon Hobby LLC (Horizon) garantiert, dass das gekaufte Produkt frei von Material- und Montagefehlern ist. Der Garantiezeitraum entspricht den gesetzlichen Bestimmungen des Landes, in dem das Produkt erworben wurde. In Deutschland beträgt der Garantiezeitraum 6 Monate und der Gewährleistungszeitraum 18 Monate nach dem Garantiezeitraum.

Einschränkungen der Garantie

- (a) Die Garantie wird nur dem Erstkäufer (Käufer) gewährt und kann nicht übertragen werden. Der Anspruch des Käufers besteht in der Reparatur oder dem Tausch im Rahmen dieser Garantie. Die Garantie erstreckt sich ausschließlich auf Produkte, die bei einem autorisierten Horizon Händler erworben wurden. Verkäufe an Dritte werden von dieser Garantie nicht gedeckt. Garantieansprüche werden nur angenommen, wenn ein gültiger Kaufnachweis erbracht wird. Horizon behält sich das Recht vor, diese Garantiebestimmungen ohne Ankündigung zu ändern oder modifizieren und widerruft dann bestehende Garantiebestimmungen.
- (b) Horizon übernimmt keine Garantie für die Verkaufbarkeit des Produktes, die Fähigkeiten und die Fitness des Verbrauchers für einen bestimmten Einsatzzweck des Produktes. Der Käufer allein ist dafür verantwortlich, zu prüfen, ob das Produkt seinen Fähigkeiten und dem vorgesehenen Einsatzzweck entspricht.
- (c) Ansprüche des Käufers – Es liegt ausschließlich im Ermessen von Horizon, ob das Produkt, bei dem ein Garantiefall festgestellt wurde, repariert oder ausgetauscht wird. Dies sind die exklusiven Ansprüche des Käufers, wenn ein Defekt festgestellt wird.

Horizon behält sich vor, alle eingesetzten Komponenten zu prüfen, die in den Garantiefall einbezogen werden können. Die Entscheidung zur Reparatur oder zum Austausch liegt nur bei Horizon. Die Garantie schließt kosmetische Defekte oder Defekte, hervorgerufen durch höhere Gewalt, falsche Behandlung des Produktes, falscher Einsatz des Produktes, kommerziellen Einsatz oder Modifikationen irgendwelcher Art aus.

Die Garantie schließt Schäden, die durch falschen Einbau, falsche Handhabung, Unfälle, Betrieb, Service oder Reparaturversuche, die nicht von Horizon ausgeführt wurden aus.

Ausgeschlossen sind auch Fälle, die bedingt durch (vii) eine Nutzung sind, die gegen geltendes Recht, Gesetze oder Regularien verstoßen haben. Rücksendungen durch den Käufer direkt an Horizon oder eine seiner Landesvertretungen bedürfen der Schriftform.

Schadensbeschränkung

Horizon ist nicht für direkte oder indirekte Folgeschäden, Einkommensausfälle oder kommerzielle Verluste, die in irgendeinem Zusammenhang mit dem Produkt stehen verantwortlich, unabhängig ab ein Anspruch im Zusammenhang mit einem Vertrag, der Garantie oder der Gewährleistung erhoben werden. Horizon wird darüber hinaus keine Ansprüche aus einem Garantiefall akzeptieren, die über den individuellen Wert des Produktes hinaus gehen. Horizon hat keinen Einfluss auf den Einbau, die Verwendung oder die Wartung des Produktes oder etwaiger Produktkombinationen, die vom Käufer gewählt werden. Horizon übernimmt keine Garantie und akzeptiert keine Ansprüche für in der Folge auftretende Verletzungen oder Beschädigungen. Mit der Verwendung und dem Einbau des Produktes akzeptiert der Käufer alle aufgeführten Garantiebestimmungen ohne Einschränkungen und Vorbehalte.

Wenn Sie als Käufer nicht bereit sind, diese Bestimmungen im Zusammenhang mit der Benutzung des Produktes zu akzeptieren, werden Sie gebeten, das Produkt in unbenutztem Zustand in der Originalverpackung vollständig bei dem Verkäufer zurückzugeben.

Sicherheitshinweise

Dieses ist ein hochwertiges Hobby Produkt und kein Spielzeug. Es muss mit Vorsicht und Umsicht eingesetzt werden und erfordert einige mechanische wie auch mentale Fähigkeiten. Ein Versagen, das Produkt sicher und umsichtig zu betreiben kann zu Verletzungen von Lebewesen und Sachbeschädigungen erheblichen Ausmaßes führen. Dieses Produkt ist nicht für den Gebrauch durch Kinder ohne die Aufsicht eines Erziehungsberechtigten vorgesehen. Die Anleitung enthält Sicherheitshinweise und Vorschriften sowie Hinweise für die Wartung und den Betrieb des Produktes. Es ist unabdingbar, diese Hinweise vor der ersten Inbetriebnahme zu lesen und zu verstehen. Nur so kann der falsche Umgang verhindert und Unfälle mit Verletzungen und Beschädigungen vermieden werden.

Fragen, Hilfe und Reparaturen

Ihr lokaler Fachhändler und die Verkaufsstelle können eine Garantiebeurteilung ohne Rücksprache mit Horizon nicht durchführen. Dies gilt auch für Garantiereparaturen. Deshalb kontaktieren Sie in einem solchen Fall den Händler, der sich mit Horizon kurz schließen wird, um eine sachgerechte Entscheidung zu fällen, die Ihnen schnellst möglich hilft.

Wartung und Reparatur

Muss Ihr Produkt gewartet oder repariert werden, wenden Sie sich entweder an Ihren Fachhändler oder direkt an Horizon.

Rücksendungen / Reparaturen werden nur mit einer von Horizon vergebenen RMA Nummer bearbeitet. Diese Nummer erhalten Sie oder Ihr Fachhändler vom technischen Service. Mehr Informationen dazu erhalten Sie im Serviceportal unter www.horizonhobby.de oder telefonisch bei dem technischen Service von Horizon.

Packen Sie das Produkt sorgfältig ein. Beachten Sie, dass der Originalkarton in der Regel nicht ausreicht, um beim Versand nicht beschädigt zu werden. Verwenden Sie einen Paketdienstleister mit einer Tracking Funktion und Versicherung, da Horizon bis zur Annahme keine Verantwortung für den Versand des Produktes übernimmt. Bitte legen Sie dem Produkt einen Kaufbeleg bei, sowie eine ausführliche Fehlerbeschreibung und eine Liste aller eingesendeten Einzelkomponenten. Weiterhin benötigen wir die vollständige

Garantie und Reparaturen

Garantieanfragen werden nur bearbeitet, wenn ein Originalkaufbeleg von einem autorisierten Fachhändler beiliegt, aus dem der Käufer und das Kaufdatum hervorgeht. Sollte sich ein Garantiefall bestätigen wird das Produkt repariert oder ersetzt. Diese Entscheidung obliegt einzig Horizon Hobby.

Kostenpflichtige Reparaturen

Liegt eine kostenpflichtige Reparatur vor, erstellen wir einen Kostenvoranschlag, den wir Ihrem Händler übermitteln. Die Reparatur wird erst vorgenommen, wenn wir die Freigabe des Händlers erhalten. Der Preis für die Reparatur ist bei Ihrem Händler zu entrichten. Bei kostenpflichtigen Reparaturen werden mindestens 30 Minuten Werkstattzeit und die Rückversandkosten in Rechnung gestellt. Sollten wir nach 90 Tagen keine Einverständniserklärung zur Reparatur vorliegen haben, behalten wir uns vor, das Produkt zu vernichten oder anderweitig zu verwerten.

ACHTUNG: Kostenpflichtige Reparaturen nehmen wir nur für Elektronik und Motoren vor. Mechanische Reparaturen, besonders bei Hubschraubern und RC-Cars sind extrem aufwendig und müssen deshalb vom Käufer selbst vorgenommen werden.

10/15

GARANTIE UND SERVICE KONTAKTINFORMATIONEN

Land des Kauf	Horizon Hobby	Telefon/E-mail Adresse	Adresse
Europäische Union	Horizon Technischer Service Sales: Horizon Hobby GmbH	service@horizonhobby.de +49 (0) 4121 2655 100	Hanskampring 9 D 22885 Barsbüttel, Germany

KONFORMITÄTSHINWEISE FÜR DIE EUROPÄISCHE UNION



EU KONFORMITÄTSERKLÄRUNG AXI03002 SCX10 II UNIMOG 6x6 RTR

Horizon LLC erklärt hiermit, dass dieses Produkt konform zu den essentiellen Anforderungen der RED und EMC Direktive ist.
Eine Kopie der Konformitätserklärung ist online unter folgender Adresse verfügbar : <http://www.horizonhobby.com/content/support-render-compliance>.

OPERATING FREQUENCY: 2406-2475 MHZ, MAX EIRP: 10DBM



ANWEISUNGEN ZUR ENTSORGUNG VON ELEKTRO-UND ELEKTRONIK-ALTGERÄTEN FÜR BENUTZER IN DER EUROPÄISCHEN UNION

Dieses Produkt darf nicht zusammen mit anderem Abfall entsorgt werden. Stattdessen ist der Benutzer dafür verantwortlich, unbrauchbare Geräte durch Abgabe bei einer speziellen Sammelstelle für das Recycling von unbrauchbaren elektrischen und elektronischen Geräten zu entsorgen. Die separate Sammlung und das Recycling von unbrauchbaren Geräten zum Zeitpunkt der Entsorgung hilft, natürliche Ressourcen zu bewahren und sicherzustellen, dass Geräte auf eine Weise wiederverwertet werden, bei der die menschliche Gesundheit und die Umwelt geschützt werden. Weitere Informationen dazu, wo Sie unbrauchbare Geräte zum Recycling abgeben können, erhalten Sie bei lokalen Ämtern, bei der Müllabfuhr für Haushaltsmüll sowie dort, wo Sie das Produkt gekauft haben.

REMARQUE

La totalité des instructions, garanties et autres documents est sujette à modification à la seule discrétion d'Horizon Hobby, LLC. Pour obtenir la documentation à jour, rendez-vous sur le site horizonhobby.com et cliquez sur l'onglet de support de ce produit.


SIGNIFICATION DE CERTAINS TERMES SPÉCIFIQUES

Les termes suivants sont utilisés dans l'ensemble du manuel pour indiquer différents niveaux de danger lors de l'utilisation de ce produit :

AVERTISSEMENT : Procédures qui, si elles ne sont pas suivies correctement, peuvent entraîner des dégâts matériels et des blessures graves OU engendrer une probabilité élevée de blessure superficielle.

ATTENTION : Procédures qui, si elles ne sont pas suivies correctement, peuvent entraîner des dégâts matériels ET des blessures graves.

REMARQUE : Procédures qui, si elles ne sont pas suivies correctement, peuvent entraîner des dégâts matériels ET éventuellement un faible risque de blessures.

 **AVERTISSEMENT** : Lisez la TOTALITÉ du manuel d'utilisation afin de vous familiariser avec les caractéristiques du produit avant de le faire fonctionner. Une utilisation incorrecte du produit peut entraîner sa détérioration, ainsi que des risques de dégâts matériels, voire de blessures graves. Ceci est un produit de loisirs sophistiqué. Il doit être manipulé avec prudence et bon sens et requiert des aptitudes de base en mécanique. Toute utilisation irresponsable de ce produit ne respectant pas les principes de sécurité peut provoquer des blessures, entraîner des dégâts matériels et endommager le produit. Ce produit n'est pas destiné à être utilisé par des enfants sans la surveillance directe d'un adulte. N'essayez pas de démonter le produit, de l'utiliser avec des composants incompatibles ou d'en améliorer les performances sans l'accord d'Horizon Hobby, LLC. Ce manuel comporte des instructions relatives à la sécurité, au fonctionnement et à l'entretien. Il est capital de lire et de respecter la totalité des instructions et avertissements du manuel avant l'assemblage, le réglage et l'utilisation, ceci afin de manipuler correctement l'appareil et d'éviter tout dégât matériel ou toute blessure grave.

14 ans et plus. Ceci n'est pas un jouet.

PRÉCAUTIONS ET AVERTISSEMENTS LIÉS À LA SÉCURITÉ

En tant qu'utilisateur de ce produit, il est de votre seule responsabilité de le faire fonctionner d'une manière qui ne mette en danger ni votre personne, ni de tiers et qui ne provoque pas de dégâts au produit lui-même ou à la propriété d'autrui.

Ce modèle est contrôlé par un signal radio, qui peut être soumis à des interférences provenant de nombreuses sources hors de votre contrôle. Ces interférences peuvent provoquer une perte momentanée de contrôle. Il est donc conseillé de garder une bonne distance de sécurité tout autour de votre modèle, ce qui aidera à éviter les collisions ou les blessures.

- Ne faites jamais fonctionner votre modèle lorsque les piles de l'émetteur sont faibles.
- Faites toujours fonctionner votre modèle dans une zone dégagée, à l'écart des voitures, de la circulation ou de personnes.
- Ne faites jamais et pour quelque raison que ce soit fonctionner votre modèle dans la rue ou dans des zones habitées.
- Respectez scrupuleusement les instructions et avertissements à cet effet ainsi que pour tous les équipements optionnels/complémentaires (chargeurs, packs de batteries rechargeables, etc.) que vous utilisez.
- Tenez tous les produits chimiques, les petites pièces et les composants électroniques hors de portée des enfants.
- Ne léchez ni ne mettez jamais en bouche quelque partie de votre modèle que ce soit, afin d'éviter tout risque de blessures graves, voire danger de mort.
- Faites bien attention lors de l'utilisation d'outils et lors de l'utilisation d'instruments coupants.
- Faites bien attention lors du montage, certaines pièces peuvent avoir des bords coupants.
- Après avoir utilisé votre modèle, NE touchez PAS à certaines de ces pièces telles que le moteur, le contrôleur électronique de vitesse et la batterie, car elles peuvent encore se trouver à des températures élevées. Vous risquez de vous brûler gravement en cas de contact avec elles.
- Ne mettez ni vos doigts ni aucun autre objet entre des pièces en rotation ou en mouvement, vous risqueriez des dommages ou des blessures graves.
- Allumez toujours votre émetteur avant d'allumer le récepteur du véhicule. Éteignez toujours le récepteur avant d'éteindre votre émetteur.
- Veillez à ce que les roues du modèle ne soient pas en contact avec le sol lorsque vous contrôlez le fonctionnement de votre équipement radio.


 **AVERTISSEMENT CONTRE LES PRODUITS CONTREFAITS** : Toujours acheter chez un revendeur officiel Horizon hobby pour être sûr d'avoir des produits authentiques. Horizon Hobby décline toute garantie et responsabilité concernant les produits de contrefaçon ou les produits se disant compatibles DSM ou Spektrum.

TABLE DES MATIÈRES

Véhicule étanche avec composants électroniques étanches.....	27	Ajustement du support de batterie.....	34
Contenu de la boîte.....	28	Variateur ESC avant/arrière ae-5l avec freinage par résistance.....	34
Matériel nécessaire.....	28	Rapports de transmission.....	35
Outils recommandés.....	28	Troubleshooting.....	35
Liste de contrôle avant de commencer.....	29	Remarques.....	35
Pièces du véhicule.....	29	Garantie et réparations.....	36
Chargez la batterie du véhicule.....	30	Informations de contact pour garantie et réparation.....	36
Installation des piles de l'émetteur.....	30	Information ic.....	37
Fonctions de l'émetteur.....	30	Informations de conformité pour l'union européenne.....	37
Installez la batterie du véhicule.....	31	Références des pièces.....	50
Affectation de votre émetteur et votre récepteur.....	32	Vues éclatées.....	55
Vérification de la portée du système radio.....	32	Liste des pièces.....	59
Entretien du véhicule.....	33	Composants électroniques.....	61

VÉHICULE ÉTANCHE AVEC COMPOSANTS ÉLECTRONIQUES ÉTANCHES

Votre nouveau véhicule Horizon Hobby a été conçu et fabriqué en combinant des composants étanches et des composants résistants à l'eau vous permettant d'utiliser ce produit dans plusieurs "Conditions Humides" incluant les flaques d'eau, les ruisseaux, l'herbe humide, la neige et même la pluie.

Bien que le véhicule possède une grande résistance vis-à-vis de l'eau, il n'est pas entièrement étanche et votre véhicule ne doit PAS être utilisé comme un sous-marin. Les différents composants électroniques installés sur le véhicule, comme le contrôleur de vitesse électronique (ESC), le ou les servo(s) et le récepteur sont étanches, cependant la plupart des composants mécaniques résistent aux projections d'eau mais ne doivent pas être immergés.

Les pièces métalliques comme les roulements, les axes de suspension, les vis et les écrous ainsi que les contacts des prises des câbles électriques sont exposés à l'oxydation si vous n'effectuez un entretien supplémentaire après avoir utilisé le produit dans des conditions humides. Pour conserver à long terme les performances de votre véhicule et conserver la garantie, les procédures décrites dans la section « Maintenance en conditions humides » doivent être régulièrement effectuées si vous roulez dans des conditions humides. Si vous ne souhaitez pas effectuer la maintenance supplémentaire requise, vous ne devez pas utiliser le véhicule dans ces conditions.

ATTENTION : Un défaut de soin durant l'utilisation et un non-respect des consignes suivantes peut entraîner un dysfonctionnement du produit et/ou annuler la garantie.

PRÉCAUTIONS GÉNÉRALES

- Lisez avec attention les procédures de maintenance en conditions humides et vérifiez que vous possédez tous les outils nécessaires pour effectuer la maintenance du véhicule.
- Toutes les batteries ne peuvent être utilisées en conditions humides. Consultez la documentation du fabricant de votre batterie avant utilisation. Des précautions doivent être appliquées quand vous utilisez des batteries Li-Po en conditions humides.
- La majorité des émetteurs ne résiste pas aux projections d'eau. Consultez le manuel ou le fabricant de votre émetteur avant utilisation.
- N'utilisez jamais votre émetteur ou votre véhicule sous un orage.
- N'utilisez JAMAIS votre véhicule où il pourrait entrer en contact avec de l'eau salée (Eau de mer ou flaque d'eau sur une route salée), ou de l'eau polluée ou contaminée.

- Une petite quantité d'eau peut réduire la durée de vie du moteur s'il n'est pas certifié étanche ou résistant aux projections d'eau. Si le moteur devient excessivement humide, appliquez légèrement les gaz pour évacuer le maximum d'eau du moteur. Faire tourner à un régime élevé un moteur humide causerait son endommagement rapide.
- L'utilisation en conditions humides peut réduire la durée de vie du moteur. La résistance de l'eau cause des efforts plus importants. Adaptez le rapport de transmission en utilisant un pignon plus petit ou une couronne plus grande. Cela augmentera le couple (et la durée de vie du moteur) quand vous roulez dans la boue, dans les flaques profondes ou n'importe quelle autre condition humide, cela augmente la charge appliquée au moteur.

MAINTENANCE EN CONDITIONS HUMIDES

- Evacuez l'eau collectée par les pneus en les faisant tourner à haute vitesse. Retirez la carrosserie, retournez le véhicule et donnez des courts coups d'accélérateur plein gaz jusqu'à ce que l'eau soit retirée.



ATTENTION: Tenez toujours éloigné des parties en rotation, les mains, les doigts, les outils ou autre objet lâches/pendants.

- Retirez la batterie et séchez ses contacts. Si vous possédez un compresseur d'air ou une bombe d'air comprimé, chassez toute l'humidité qui se trouve dans la prise.
- Retirez les roues du véhicule et rincez-les à l'aide d'un arrosoir pour retirer la boue et la poussière. Évitez de rincer les roulements et la transmission.

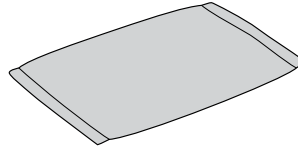
REMARQUE : N'utilisez jamais un nettoyeur haute-pression pour nettoyer le véhicule.

- Utilisez un compresseur d'air ou une bombe d'air comprimée pour sécher le véhicule et vous aider à retirer l'eau logée dans les renforcements et les recoins.
- Vaporisez du lubrifiant ou de l'anti-humidité sur les roulements, les vis ou autres pièces métalliques. Ne pas en vaporiser sur le moteur.
- Laissez le véhicule sécher avant de le stocker. L'eau (et l'huile) peuvent continuer à s'écouler durant quelques heures.
- Augmentez la fréquence d'inspection, de démontage et de lubrification des éléments suivants:
 - Les axes de roues et roulements des fusées avant et arrière.
 - Tous les boîtiers de transmissions, pignons et différentiels.
 - Le moteur—nettoyez-le à l'aide d'un aérosol de nettoyant moteur et lubrifiez les paliers à l'aide de lubrifiant pour roulements.

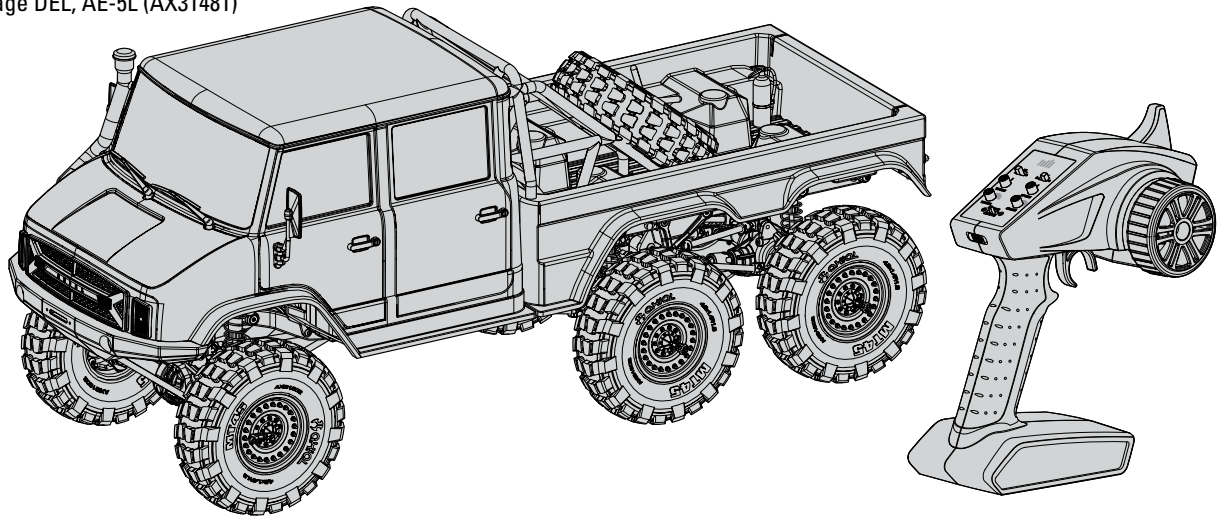
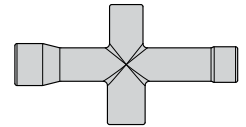
CONTENU DE LA BOÎTE

- Émetteur Spektrum STX2 2,4 GHz (SPMSTX200)
- AXI03002 SCX10 II UNIMOG 6x6 RTR
 - Moteur électrique 35T (AX31312)
 - Récepteur 2 canaux SRX200 (SPMSRX200)
 - 9KG Servo, imperméable à l'eau, équipement métallique, 23T (SPMS605)
 - Variateur ESC AE-5L avec ports et témoins DEL (DYNS2213)
 - Ensemble d'éclairage DEL, AE-5L (AX31481)

- Sachet de pièces

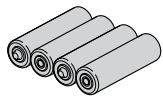


- Clé cruciforme

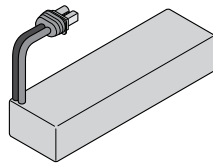


MATÉRIEL NÉCESSAIRE

- (4) piles alcalines AA

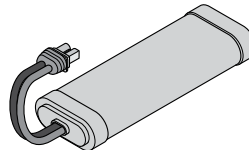


- Batterie Li-Po 2-3S

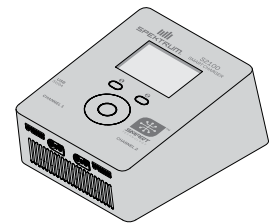


- Batteries NiMH/NiCd à 5-9 cellules
(Connecteur IC3 requis)

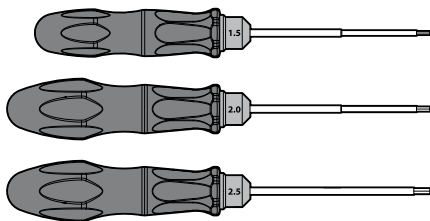
OU



- Chargeur de batterie compatible avec le type de batterie de véhicule choisi



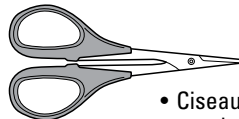
OUTILS RECOMMANDÉS



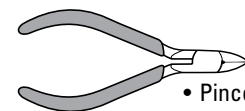
- Clés Allen
(1,5, 2,0, 2,5 mm)



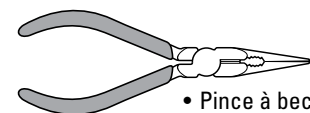
- Couteau
hobby



- Ciseaux
courbes



- Pince
coupante



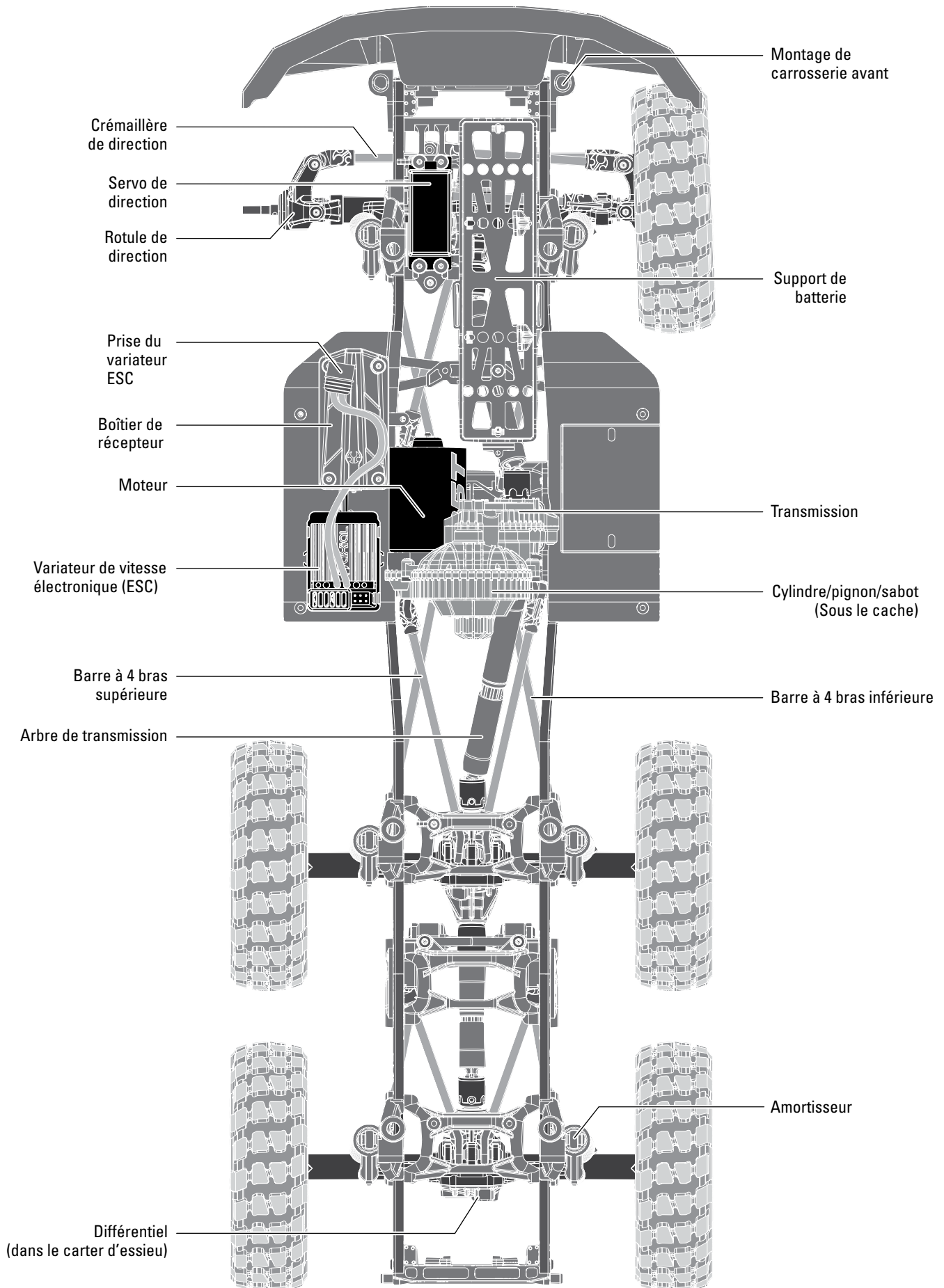
- Pince à bec long

LISTE DE CONTRÔLE AVANT DE COMMENCER

Lisez le manuel
Familiarisez-vous avec le véhicule et ses composants
Vérifiez que toutes les vis, en particulier les vis de fixation de l'arbre de transmission, ont été bien serrées en usine
Chargez la batterie du véhicule
Installez 4 piles AA dans l'émetteur

Mettez l'émetteur en marche
Installez la batterie du véhicule dans le véhicule
Contrôlez le bon fonctionnement des gaz et de la direction
Vérifiez la portée de votre système radio
Manœuvrez le véhicule, mettez-vous au défi, et AMUSEZ-VOUS !
Effectuez l'entretien nécessaire sur le véhicule

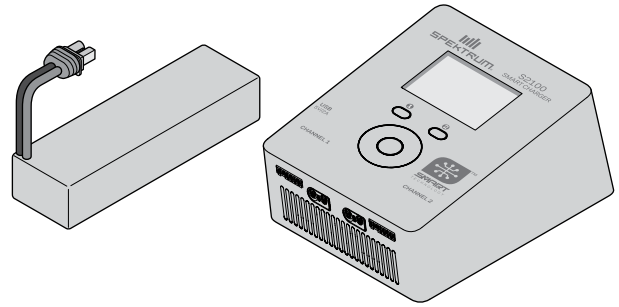
PIÈCES DU VÉHICULE



CHARGEZ LA BATTERIE DU VÉHICULE

Suivez les instructions du fabricant de votre chargeur pour charger correctement la batterie du véhicule.

ATTENTION : Utilisez uniquement des chargeurs conçus pour charger le type de batterie choisi. L'utilisation d'un chargeur incompatible ou de paramètres de chargeur inadaptés peut entraîner un incendie ou une explosion de la batterie.



INSTALLATION DES PILES DE L'ÉMETTEUR

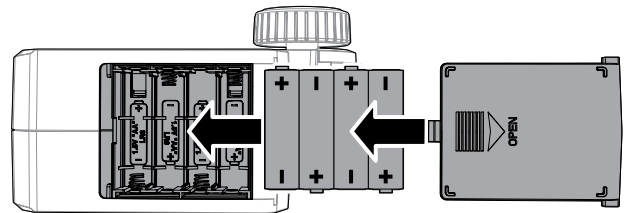
Cet émetteur nécessite 4 piles AA.

1. Retirez le couvercle du compartiment à piles.
2. Insérez les piles comme sur l'illustration.
3. Remplacez le couvercle.

ATTENTION : Ne retirez jamais les piles de l'émetteur lorsque le modèle est sous tension. Une perte de contrôle du modèle, des dommages ou des blessures peuvent survenir.

ATTENTION : Si vous utilisez des piles rechargeables, chargez seulement des piles rechargeables. La charge de piles non rechargeables peut causer un incendie, entraînant des blessures corporelles et/ou des dégâts matériels.

ATTENTION : Risque d'explosion si la batterie est remplacée par un type de batterie non conforme. Éliminez les batteries usagées selon les réglementations nationales.



FONCTIONS DE L'ÉMETTEUR

A. Inversion de servo

Pour inverser la voie des Gaz (TH) ou de la direction (ST), changez la position de l'interrupteur correspondant - "N" correspond à normal et "R" à inversé.

B. Trim des gaz

Permet de régler le neutre des gaz

C. Trim de direction

Permet de régler le neutre de la direction. Normalement, le trim est réglé pour que le véhicule roule droit.

D. Débattements des gaz

Permet de régler la fin de course des gaz

E. Débattements de la direction

Permet de régler la fin de course de la direction

F. Indicateurs lumineux

- Lumières rouges fixes: Indique la connexion radio et la bonne alimentation piles
- Lumières vertes clignotantes: Indique que la tension des piles est faible. Remplacez les piles

G. Limite des gaz

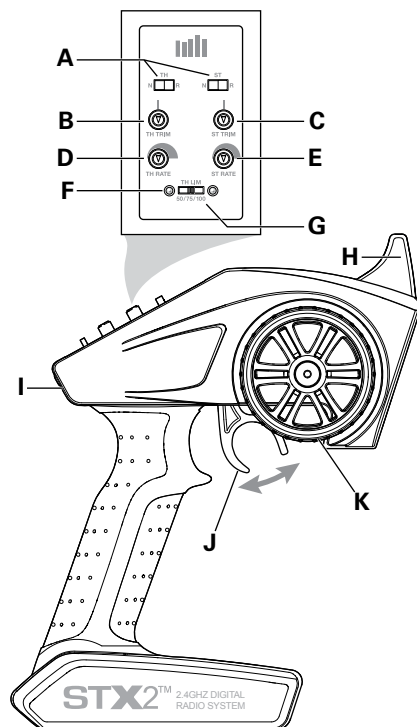
Permet de limiter les gaz à 50/75/100%. Sélectionnez 50% ou 75% pour les pilotes moins expérimentés ou lorsque vous pilotez dans une petite zone.

H. Antenne

I. Bouton d'alimentation

J. Gaz/Freins

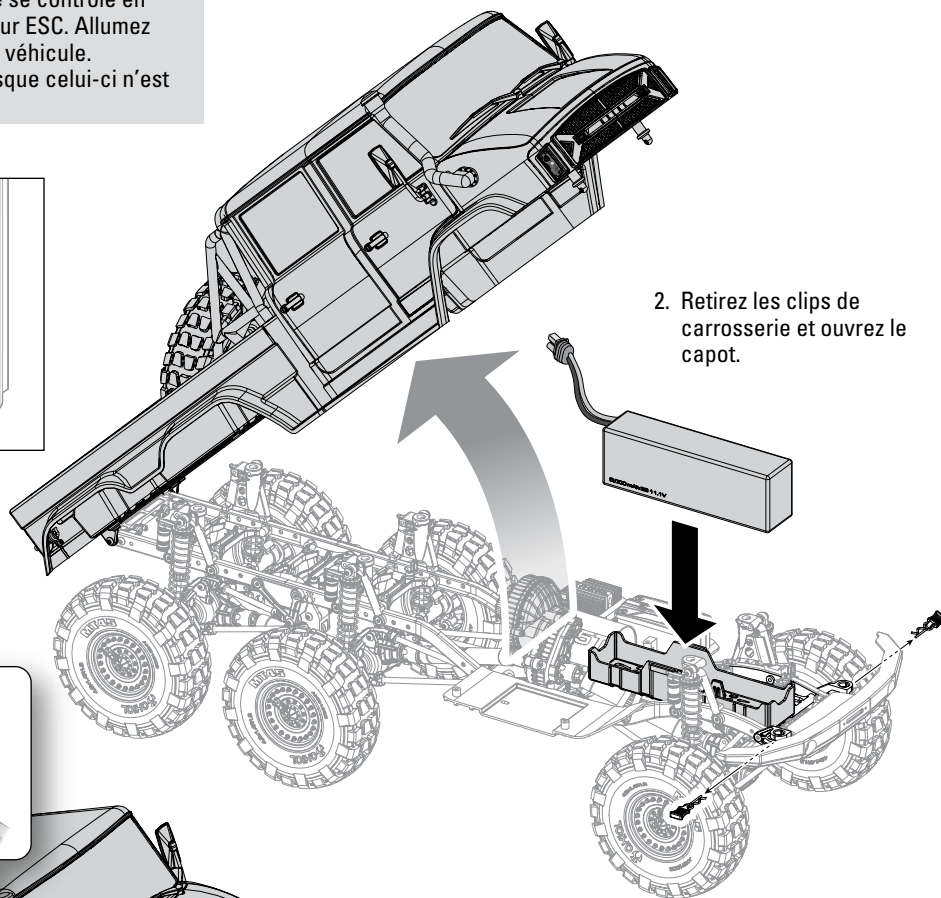
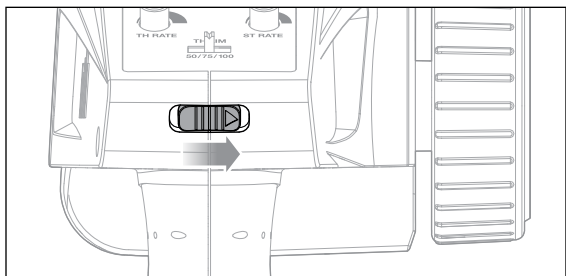
K. Volant de direction



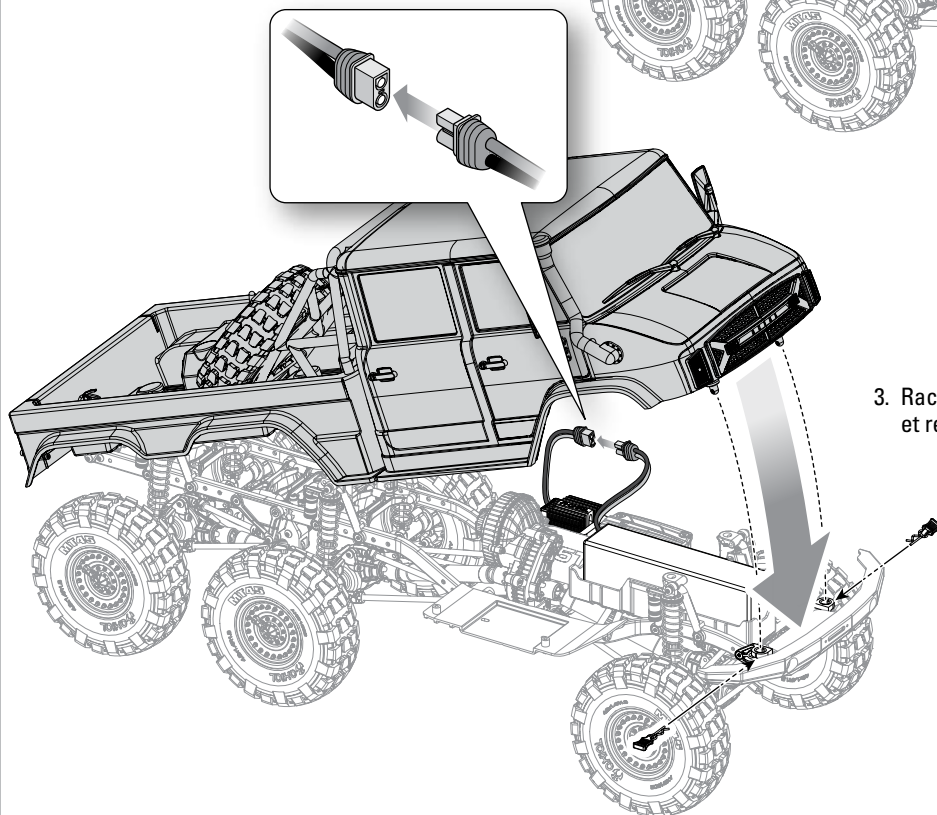
INSTALLEZ LA BATTERIE DU VÉHICULE

REMARQUE : L'alimentation électrique du véhicule se contrôle en connectant et en déconnectant la batterie du variateur ESC. Allumez toujours l'émetteur avant de connecter la batterie du véhicule. Débranchez toujours la batterie du variateur ESC lorsque celui-ci n'est pas utilisé.

1. Mettez l'émetteur en marche.

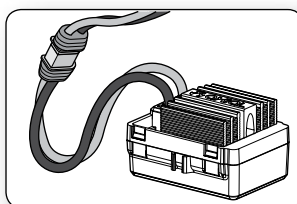


2. Retirez les clips de carrosserie et ouvrez le capot.



3. Raccordez la batterie au variateur ESC. Fermez le capot et remettez les clips de carrosserie.

REMARQUE : Débranchez toujours la batterie du variateur ESC avant d'éteindre l'émetteur. Le non-respect de cette consigne peut entraîner une perte de contrôle du véhicule.



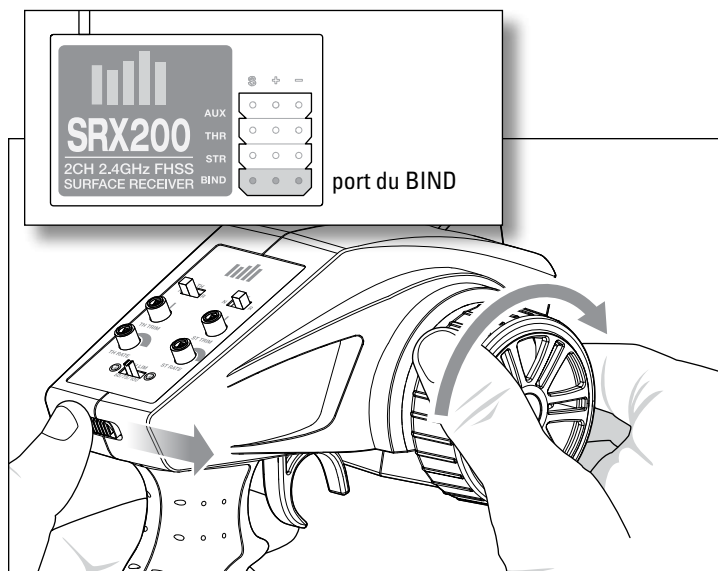
AFFECTATION DE VOTRE ÉMETTEUR ET VOTRE RÉCEPTEUR

L'affectation est le processus de programmation du récepteur pour reconnaître le code GUID (identificateur global unique) d'un émetteur simple spécifique. L'émetteur STX2 et le récepteur SPMSRX200 sont affectés en usine. Si vous devez les réaffecter, suivez les instructions ci-dessous.

1. Branchez la prise d'affectation dans le port d'affectation (BIND) du récepteur.
2. Connectez une batterie complètement chargée au variateur ESC.
3. Allumez le variateur ESC. La DEL rouge clignote, indiquant que le récepteur est en mode bind (affectation).
4. Centrez les cadrans ST TRIM et TH TRIM sur l'émetteur.
5. Tournez le volant complètement à droite. Allumez l'émetteur tout en maintenant le volant à droite.
6. Relâchez le volant lorsque la DEL du récepteur cesse de clignoter.
7. Retirez la prise d'affectation, puis éteignez le récepteur pour enregistrer les réglages.
8. Éteignez l'émetteur.
9. Débranchez la prise d'affectation et rangez-la dans un endroit adapté.

Vous devez effectuer à nouveau l'affectation :

- si différentes positions de sécurité intégrée sont souhaitées, par ex. lors du changement des gaz ou de l'inversion de la direction ;
- lors de l'affectation du récepteur à un émetteur différent.



VÉRIFICATION DE LA PORTÉE DU SYSTÈME RADIO

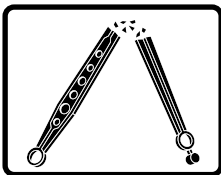
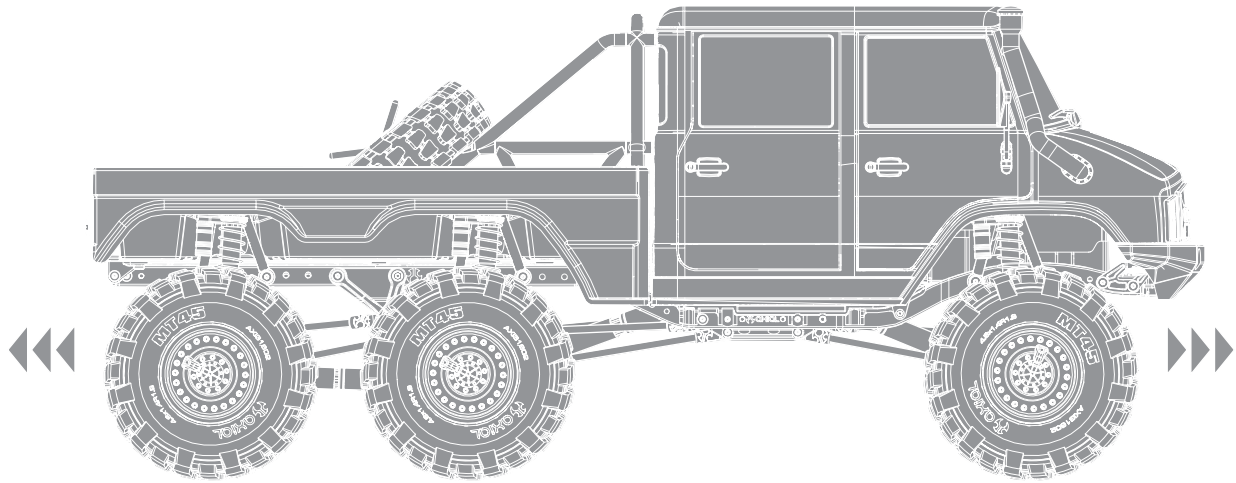
Contrôlez le système radio pour vous assurer de son bon fonctionnement et de sa portée adaptée avant d'utiliser le véhicule.

1. Allumez l'émetteur.
2. Connectez la batterie dans le véhicule.
3. Demandez à un ami de tenir le véhicule tout en gardant les mains et les vêtements amples à l'écart des pièces en mouvement.
4. Éloignez-vous jusqu'à la distance maximale prévue d'utilisation du véhicule.
5. Tournez le volant de chaque côté et faites fonctionner l'accélérateur en marche avant et arrière, en vous assurant qu'il n'y a aucun comportement irrégulier.
6. Si vous constatez un comportement irrégulier, NE PAS utiliser le véhicule. Appelez le service clientèle pour obtenir de l'aide.

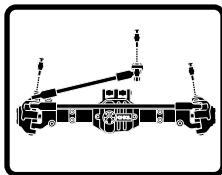


ENTRETIEN DU VÉHICULE

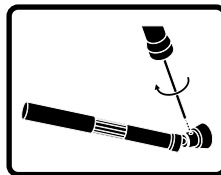
Tout comme une voiture ou un camion grandeur nature, votre véhicule télécommandé doit être entretenu régulièrement pour conserver une performance optimale. L'entretien préventif permet également d'éviter toute casse superflue pouvant entraîner des réparations coûteuses. Voici ci-dessous quelques suggestions pour entretenir correctement votre véhicule.



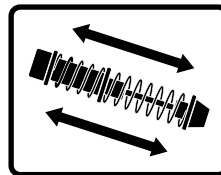
Remplacez les pièces visiblement tordues ou cassées



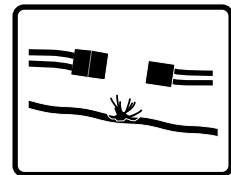
Contrôlez l'usure des joints à rotule dans la tringlerie de direction et de suspension (remplacez si nécessaire)



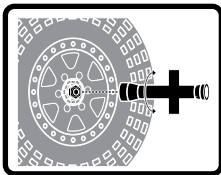
Contrôlez les vis de fixation de l'arbre de transmission et appliquez du frein-filet si nécessaire



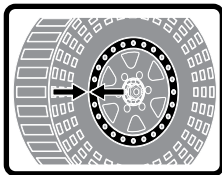
Vérifiez que les amortisseurs absorbent efficacement les chocs et de façon fluide



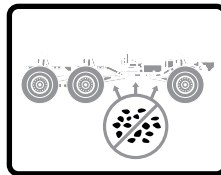
Assurez-vous qu'il n'y a aucune connexion lâche ou aucun fil effiloché



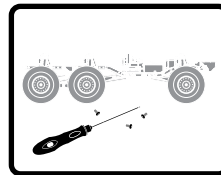
Vérifiez que les écrous de roue sont bien serrés



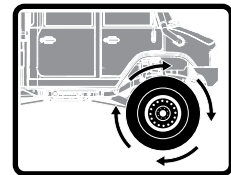
Assurez-vous que les talons de roue sont toujours fermement collés sur toute la circonférence de la jante



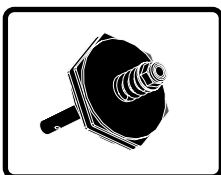
Assurez-vous que le châssis est exempt de crasse et de débris



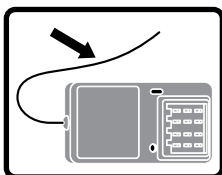
Vérifiez qu'il n'y a aucune vis desserrée sur le châssis, en particulier les vis de blocage des rotules, des moyeux en C et des essieux



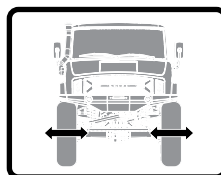
Vérifiez que la transmission fonctionne de façon fluide, sans grippages



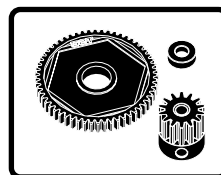
Le cas échéant, contrôlez le bon fonctionnement de l'embrayage



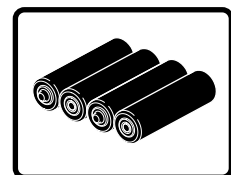
Vérifiez que l'antenne du récepteur n'est pas endommagée



Vérifiez que la direction n'est pas grippée



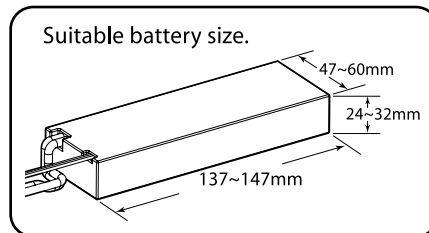
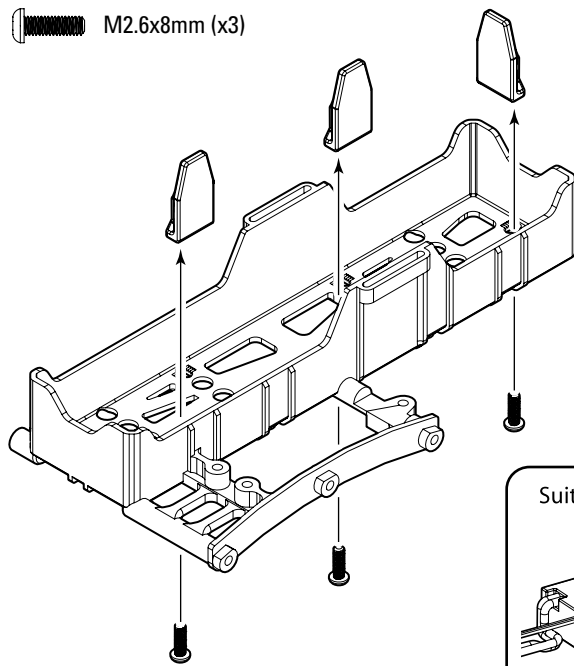
Vérifiez que les engrenages à pignons et les engrenages cylindriques ne sont pas endommagés



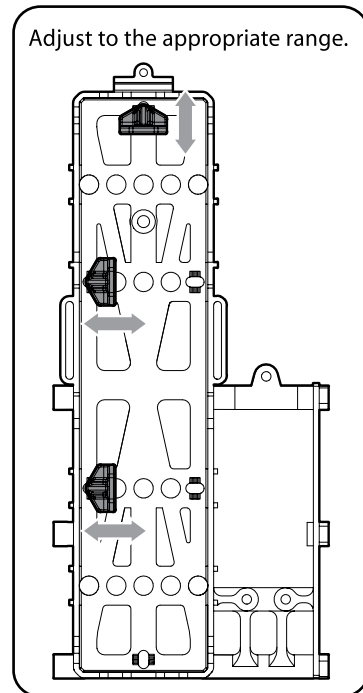
Remplacez les piles de l'émetteur lorsque l'émetteur vous y invite, comme décrit dans la section Fonctions de l'émetteur

AJUSTEMENT DU SUPPORT DE BATTERIE

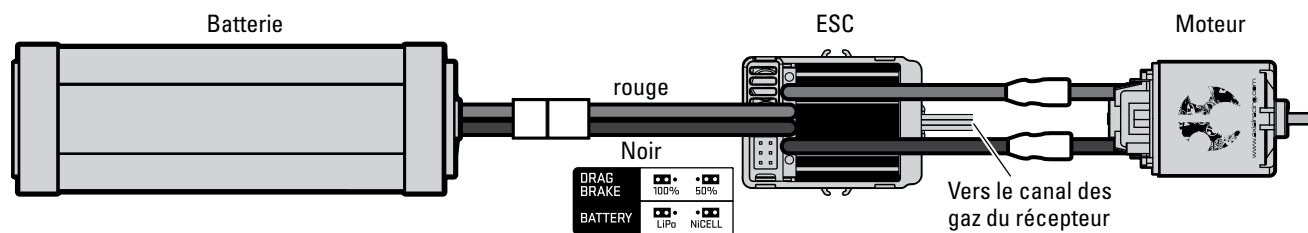
M2.6x8mm (x3)



Adjust to the appropriate range.



VARIATEUR ESC AVANT/ARRIÈRE AE-5L AVEC FREINAGE PAR RÉSTANCE



PARAMÉTRAGE

Il n'est normalement pas nécessaire de calibrer les gaz au déballage. Toutefois, afin d'augmenter la portée des gaz sur différents émetteurs, il est nécessaire de calibrer le variateur ESC :

- Montez le variateur ESC à un endroit bien aéré et isolé des vibrations et des chocs.
- Connectez les fils du moteur du variateur ESC au moteur, rouge sur rouge et noir sur noir.
- Branchez le récepteur dans le canal des gaz du récepteur.
- Avant de brancher la batterie dans le variateur ESC, assurez-vous que votre émetteur est allumé et que le compensateur des gaz est réglé sur zéro.
- Raccordez la batterie au variateur ESC. Le véhicule sera mis sous tension une fois la batterie connectée.

ATTENTION : Maintenez toutes les parties du corps et tous les vêtements amples à l'écart des pièces en mouvement tant que la batterie est connectée au variateur ESC.

ATTENTION : Connectez toujours le variateur ESC uniquement à une source d'alimentation adaptée ayant la bonne tension et la bonne polarité. Une tension inadaptée ou une polarité inversée endommagera le variateur ESC. L'endommagement du variateur ESC causé par une tension inadaptée ou une polarité inversée n'est pas couvert par la garantie.

- Testez la commande de marche avant et de marche arrière à l'aide de l'émetteur.

Pour calibrer le variateur ESC :

- Allumez l'émetteur et mettez la commande des gaz sur neutre.
- Connectez la batterie au variateur ESC et attendez 3 secondes que le variateur ESC initialise un autodiagnostic et un calibrage automatique des gaz.
- Le variateur ESC est prêt à fonctionner lorsque vous entendez un bip long provenant du moteur.
- Déconnectez toujours la batterie lorsque le véhicule n'est pas utilisé.

REMARQUES

- Le freinage par résistance est réglé en usine à 100 %.
- La coupure de batterie LiPo est réglée en usine sur « ON » (active).

SPÉCIFICATIONS DU VARIATEUR ESC

Tension d'entrée	2-3S Li-Po, 5-9 Cellules NiMH/NiCd
Taille	46,5 mm x 34 mm x 28,5 mm
Poids	70 g
Limite de moteur	12T 2S/18T 3S
FET sur résistance	0,002
Courant nominal/de crête	180 A
Courant de freinage	90 A
Tension du BEC/A	6,0 V 3,0 A de crête
Fréquence de modulation de largeur d'impulsion (PWM)	1 KHz

ÉTAT SONORE DU VARIATEUR ESC

1 bip court	La batterie est NiMH/NiCd
2 bips courts	La batterie est LiPo 2S
3 bips courts	La batterie est LiPo 3S
1 bip long	Autodiagnostic et calibrage des gaz OK, le variateur ESC est prêt à fonctionner

RAPPORTS DE TRANSMISSION

Tableau des rapports d'engrenage cylindrique/à pignons - Transmission LCX

	12	13	14	15	16	17	18
56	45.50	42.00	39.00	36.40	34.13	32.12	30.33
60	48.75	45.00	41.79	39.00	36.56		

GUIDE DE DÉPANNAGE

PROBLÈME	CAUSE POSSIBLE	SOLUTION
Le véhicule ne bouge pas	Les piles ne sont pas installées correctement dans l'émetteur	Assurez-vous que les piles sont correctement installées dans l'émetteur
	Batterie faible ou absente dans le véhicule	Installez une batterie venant d'être chargée dans le véhicule
	Moteur endommagé	Remplacez le moteur
	Câblage effiloché ou cassé	Remplacez tout fil endommagé
	Le variateur ESC est coupé par le circuit de protection contre la surchauffe	Laissez le variateur ESC refroidir complètement
Perte de contrôle du véhicule	Mauvais placement de l'antenne	Assurez-vous que l'antenne de l'émetteur n'est pas bloquée et que l'antenne du récepteur est bien placée
	Batteries faibles ou absentes dans l'émetteur ou le véhicule	Installez une batterie venant d'être chargée dans le véhicule et des piles neuves dans l'émetteur
	Mauvaise position neutre ou du compensateur	Ajustez le compensateur de direction
	Mauvaise connexion du récepteur et/ou de la batterie	Contrôlez toutes les connexions du récepteur et de la batterie
La fonction de direction et/ou des gaz est inversée	La course du servo est inversée au niveau de l'émetteur	Mettez le commutateur d'inversion de servo de l'émetteur à la bonne position
	Les câbles du moteur sont mal connectés	Vérifiez que tous les câbles du moteur sont bien connectés et sont à la bonne polarité

REMARQUES

GARANTIE ET RÉPARATIONS

Durée de la garantie

Garantie exclusive - Horizon Hobby, LLC (Horizon) garantit que le Produit acheté (le « Produit ») sera exempt de défauts matériels et de fabrication à sa date d'achat par l'Acheteur. La durée de garantie correspond aux dispositions légales du pays dans lequel le produit a été acquis. La durée de garantie est de 6 mois et la durée d'obligation de garantie de 18 mois à l'expiration de la période de garantie.

Limitations de la garantie

- La garantie est donnée à l'acheteur initial (« Acheteur ») et n'est pas transférable. Le recours de l'acheteur consiste en la réparation ou en l'échange dans le cadre de cette garantie. La garantie s'applique uniquement aux produits achetés chez un revendeur Horizon agréé. Les ventes faites à des tiers ne sont pas couvertes par cette garantie. Les revendications en garantie seront acceptées sur fourniture d'une preuve d'achat valide uniquement. Horizon se réserve le droit de modifier les dispositions de la présente garantie sans avis préalable et révoque alors les dispositions de garantie existantes.
- Horizon n'endosse aucune garantie quant à la vendabilité du produit ou aux capacités et à la forme physique de l'utilisateur pour une utilisation donnée du produit. Il est de la seule responsabilité de l'acheteur de vérifier si le produit correspond à ses capacités et à l'utilisation prévue.
- Recours de l'acheteur – Il est de la seule discrétion d'Horizon de déterminer si un produit présentant un cas de garantie sera réparé ou échangé. Ce sont là les recours exclusifs de l'acheteur lorsqu'un défaut est constaté.

Horizon se réserve la possibilité de vérifier tous les éléments utilisés et susceptibles d'être intégrés dans le cas de garantie. La décision de réparer ou de remplacer le produit est du seul ressort d'Horizon. La garantie exclut les défauts esthétiques ou les défauts provoqués par des cas de force majeure, une manipulation incorrecte du produit, une utilisation incorrecte ou commerciale de ce dernier ou encore des modifications de quelque nature qu'elles soient.

La garantie ne couvre pas les dégâts résultant d'un montage ou d'une manipulation erronés, d'accidents ou encore du fonctionnement ainsi que des tentatives d'entretien ou de réparation non effectuées par Horizon. Les retours effectués par le fait de l'acheteur directement à Horizon ou à l'une de ses représentations nationales requièrent une confirmation écrite.

Limitation des dommages

Horizon ne saurait être tenu pour responsable de dommages consécutifs directs ou indirects, de pertes de revenus ou de pertes commerciales, liés de quelque manière que ce soit au produit et ce, indépendamment du fait qu'un recours puisse être formulé en relation avec un contrat, la garantie ou l'obligation de garantie. Par ailleurs, Horizon n'acceptera pas de recours issus d'un cas de garantie lorsque ces recours dépassent la valeur unitaire du produit. Horizon n'exerce aucune influence sur le montage, l'utilisation ou la maintenance du produit ou sur d'éventuelles combinaisons de produits choisies par l'acheteur. Horizon ne prend en compte aucune garantie et n'accepte aucun recours pour les blessures ou les dommages pouvant en résulter. Horizon Hobby ne saurait être tenu responsable d'une utilisation ne respectant pas les lois, les règles ou réglementations en vigueur.

En utilisant et en montant le produit, l'acheteur accepte sans restriction ni réserve toutes les dispositions relatives à la garantie figurant dans le présent document. Si vous n'êtes pas prêt, en tant qu'acheteur, à accepter ces dispositions en relation avec l'utilisation du produit, nous vous demandons de restituer au vendeur le produit complet, non utilisé et dans son emballage d'origine.

Indications relatives à la sécurité

Ceci est un produit de loisirs perfectionné et non un jouet. Il doit être utilisé avec précaution et bon sens et nécessite quelques aptitudes mécaniques ainsi que mentales. L'incapacité à utiliser le produit de manière sûre et raisonnable peut provoquer des blessures et des dégâts matériels conséquents. Ce produit n'est pas destiné à être utilisé par des enfants sans la surveillance par un tuteur. La notice d'utilisation contient des indications relatives à la sécurité ainsi que des indications concernant la maintenance et le fonctionnement du produit. Il est absolument indispensable de lire et de comprendre ces indications avant la première mise en service. C'est uniquement ainsi qu'il sera possible d'éviter une manipulation erronée et des accidents entraînant des blessures et des dégâts. Horizon Hobby ne saurait être tenu responsable d'une utilisation ne respectant pas les lois, les règles ou réglementations en vigueur.

Questions, assistance et réparations

Votre revendeur spécialisé local et le point de vente ne peuvent effectuer une estimation d'éligibilité à l'application de la garantie sans avoir consulté Horizon. Cela vaut également pour les réparations sous garantie. Vous voudrez bien, dans un tel cas, contacter le revendeur qui conviendra avec Horizon d'une décision appropriée, destinée à vous aider le plus rapidement possible.

Maintenance et réparation

Si votre produit doit faire l'objet d'une maintenance ou d'une réparation, adressez-vous soit à votre revendeur spécialisé, soit directement à Horizon. Emballez le produit soigneusement. Veuillez noter que le carton d'emballage d'origine ne suffit pas, en règle générale, à protéger le produit des dégâts pouvant survenir pendant le transport. Faites appel à un service de messagerie proposant une fonction de suivi et une assurance, puisque Horizon ne prend aucune responsabilité pour l'expédition du produit jusqu'à sa réception acceptée. Veuillez joindre une preuve d'achat, une description détaillée des défauts ainsi qu'une liste de tous les éléments distincts envoyés. Nous avons de plus besoin d'une adresse complète, d'un numéro de téléphone (pour demander des renseignements) et d'une adresse de courriel.

Garantie et réparations

Les demandes en garantie seront uniquement traitées en présence d'une preuve d'achat originale émanant d'un revendeur spécialisé agréé, sur laquelle figurent le nom de l'acheteur ainsi que la date d'achat. Si le cas de garantie est confirmé, le produit sera réparé. Cette décision relève uniquement d'Horizon Hobby.

Réparations payantes

En cas de réparation payante, nous établissons un devis que nous transmettons à votre revendeur. La réparation sera seulement effectuée après que nous ayons reçu la confirmation du revendeur. Le prix de la réparation devra être acquitté au revendeur. Pour les réparations payantes, nous facturons au minimum 30 minutes de travail en atelier ainsi que les frais de réexpédition. En l'absence d'un accord pour la réparation dans un délai de 90 jours, nous nous réservons la possibilité de détruire le produit ou de l'utiliser autrement.

ATTENTION: Nous n'effectuons de réparations payantes que pour les composants électroniques et les moteurs. Les réparations touchant à la mécanique, en particulier celles des hélicoptères et des voitures radiocommandées, sont extrêmement coûteuses et doivent par conséquent être effectuées par l'acheteur lui-même.

10/15

INFORMATIONS DE CONTACT POUR GARANTIE ET RÉPARATION

Pays d'achat	Horizon Hobby	Numéro de téléphone/E-mail	Adresse
Union européenne	Horizon Technischer Service Sales: Horizon Hobby GmbH	service@horizonhobby.eu +49 (0) 4121 2655 100	Hanskampring 9 D 22885 Barsbüttel, Germany

INFORMATION IC

CAN ICES-3 (B)/NMB-3(B)

IC: 21682-SSTC9202

Le présent appareil est conforme aux CNR d'Industrie Canada applicables aux appareils radio exempts de licence. L'exploitation est autorisée aux deux conditions suivantes : (1) l'appareil ne doit pas produire de brouillage, et (2) l'utilisateur de l'appareil doit accepter tout brouillage radioélectrique subi, même si le brouillage est susceptible d'en compromettre le fonctionnement.

INFORMATIONS DE CONFORMITÉ POUR L'UNION EUROPÉENNE

CE EU COMPLIANCE STATEMENT:

AXI03002 SCX10 II UNIMOG 6x6 RTR

Horizon Hobby, LLC déclare par la présente que ce produit est en conformité avec les exigences essentielles et les autres dispositions des directives CEM et RED.

Une copie de la déclaration de conformité européenne est disponible à : <http://www.horizonhobby.com/content/support-render-compliance>.

OPERATING FREQUENCY: 2406-2475 MHZ, MAX EIRP: 10DBM



INSTRUCTIONS RELATIVES À L'ÉLIMINATION DES D3E POUR LES UTILISATEURS RÉSIDANT DANS L'UNION EUROPÉENNE

Ce produit ne doit pas être éliminé avec d'autres déchets. Il relève de la responsabilité de l'utilisateur d'éliminer les équipements mis au rebut en les remettant à un point de collecte désigné en vue du recyclage des déchets d'équipements électriques et électroniques. La collecte et le recyclage séparés de vos équipements au moment de leur élimination aideront à préserver les ressources naturelles et à garantir que les déchets seront recyclés de manière à protéger la santé humaine et l'environnement. Pour plus d'informations quant aux lieux de dépôt de vos équipements mis au rebut en vue du recyclage, veuillez contacter votre mairie, votre service de traitement des ordures ménagères ou le magasin dans lequel vous avez acheté le produit.

AVVISO

Tutte le istruzioni, le garanzie e gli altri documenti pertinenti sono soggetti a cambiamenti a totale discrezione di Horizon Hobby, LLC. Per una documentazione aggiornata sul prodotto, visitare il sito horizonhobby.com e fare clic sulla sezione Support del prodotto.


CONVENZIONI TERMINOLOGICHE

Nella documentazione relativa al prodotto vengono utilizzati i seguenti termini per indicare i vari livelli di pericolo potenziale durante l'uso del prodotto:

AVVERTENZA: Indica procedure che, se non debitamente seguite, determinano il rischio di danni alle cose, danni collaterali e gravi lesioni alle persone o il rischio elevato di lesioni superficiali alle persone.

ATTENZIONE: Indica procedure che, se non debitamente seguite, determinano il rischio di danni alle cose e di gravi lesioni alle persone.

AVVISO: Indica procedure che, se non debitamente seguite, possono determinare il rischio di danni alle cose e il rischio minimo o nullo di lesioni alle persone.

 **AVVERTENZA:** leggere TUTTO il manuale di istruzioni e familiarizzare con le caratteristiche del prodotto prima di farlo funzionare. Un uso improprio del prodotto può causare danni al prodotto stesso e alle altre cose e gravi lesioni alle persone.

Questo modello è un prodotto sofisticato per appassionati di modellismo. Deve essere azionato in maniera attenta e responsabile e richiede alcune conoscenze basilari di meccanica. L'uso improprio o irresponsabile di questo prodotto può causare lesioni alle persone e danni al prodotto stesso o alle altre cose. Questo prodotto non deve essere utilizzato dai bambini senza la diretta supervisione di un adulto. Non tentare di smontare, utilizzare componenti incompatibili o modificare il prodotto in nessun caso senza previa approvazione di horizon hobby, llc. Questo manuale contiene le istruzioni per la sicurezza, l'uso e la manutenzione del prodotto. È fondamentale leggere e seguire tutte le istruzioni e le avvertenze del manuale prima di montare, impostare o utilizzare il prodotto, al fine di utilizzarlo correttamente e di evitare di causare danni alle cose o gravi lesioni alle persone.


Limite minimo di età consigliato: Almeno 14 anni. Non è un giocattolo.

PRECAUZIONI E AVVERTENZE SULLA SICUREZZA

L'utente di questo prodotto è l'unico responsabile del corretto utilizzo del medesimo in maniera che non sia pericoloso, sia nei propri riguardi che nei confronti di terzi e non danneggi il prodotto stesso o l'altrui proprietà.

Questo modello è controllato da un segnale radio potenzialmente soggetto a interferenze da molte fonti che non potete controllare. Queste interferenze possono generare momentanee perdite di controllo del modello, quindi è consigliabile mantenere sempre una certa distanza di sicurezza in ogni direzione, poichè questo può aiutare ad evitare urti o infortuni.

- Non utilizzare mai il modello con batterie scariche.
- Utilizzate sempre il modello in zone ampie, sgombre da persone, macchine e traffico.
- Non utilizzate mai il modello in strade aperte al traffico o in luoghi affollati.
- Seguite attentamente le avvertenze d'uso di questo modello e di ogni altro accessorio (caricabatterie, batterie ricaricabili ecc.).
- Tenete qualsiasi prodotto chimico o elettrico al di fuori della portata dei bambini.
- Non leccate o ingerite alcun pezzo del modello perchè questo può causare infortuni seri, o addirittura la morte.
- Utilizzate sempre con attenzione attrezzi e oggetti affilati.
- Prestare attenzione durante la costruzione perché alcune parti potrebbero avere degli spigoli vivi.
- Subito dopo l'uso NON toccate componenti del modello quali motore, variatore elettronico o la batteria, perchè si scaldano molto durante il funzionamento. Toccandoli potreste scottarvi.
- Non infilate le dita tra gli ingranaggi del modello o altre parti in rotazione o movimento, poichè questo può causare danni o infortuni gravi.
- Accendete sempre prima la trasmittente e poi la ricevente sul modello. Invece spegnete sempre prima la ricevente e poi la trasmittente.
- Sollevate le ruote del modello da terra quando controllate il corretto funzionamento dell'apparato radio.

 **AVVERTENZA CONTRO PRODOTTI CONTRAFFATTI:** Acquistate sempre da rivenditori autorizzati Horizon Hobby per essere certi di avere prodotti originali Spektrum di alta qualità. Horizon Hobby rifiuta qualsiasi supporto o garanzia riguardo, ma non limitato a, compatibilità e prestazioni di prodotti contraffatti o che dichiarano compatibilità con DSM o Spektrum.

INDICE

Veicolo resistente all'acqua con elettronica impermeabile.....	39	Regolazione del supporto della batteria.....	46
Contenuto della scatola.....	40	ESC avanti/indietro ae-5l con aerofreno.....	46
Apparecchiature necessarie.....	40	Rapporto di riduzione.....	47
Strumenti consigliati.....	40	Troubleshooting.....	47
Lista di controllo pre-utilizzo.....	41	Note.....	47
Parti del veicolo.....	41	Garanzia.....	48
Caricare la batteria del veicolo.....	42	Garanzia e assistenza - informazioni per i contatti.....	48
Installare le batterie del trasmettitore.....	42	Dichiarazione di conformità per l'unione europea.....	49
Funzioni della trasmittente.....	42	Riferimento componenti.....	50
Installare la batteria del veicolo.....	43	Viste esplose.....	55
Connessione (binding).....	44	Elenco componenti.....	59
Provare la portata del radiocomando.....	44	Elettronica.....	61
Manutenzione del veicolo.....	45		

VEICOLO RESISTENTE ALL'ACQUA CON ELETTRONICA IMPERMEABILE

Il vostro nuovo veicolo Horizon Hobby è stato progettato e costruito con una combinazione di componenti impermeabili e resistenti all'acqua, per consentirvi di utilizzare il prodotto in molte situazioni "umide," incluse pozze, ruscelli, erba bagnata, neve e anche pioggia.

Sebbene tutto il veicolo sia altamente resistente all'acqua, tuttavia non è completamente impermeabile e NON si può trattare come fosse un sottomarino. I vari componenti elettronici usati sul veicolo, come il regolatore elettronico di velocità (ESC), i servi e il ricevitore, sono impermeabili, però molti dei componenti meccanici sono solo resistenti all'acqua e non si possono immergere.

Le parti metalliche, inclusi i cuscinetti, le cerniere, viti e dadi, come pure i contatti sui cavi elettrici, sono suscettibili di corrosione se non si fa una particolare manutenzione dopo l'uso sul bagnato. Per prolungare al massimo le prestazioni nel tempo e tenere valida la garanzia, le procedure descritte nella sezione "Manutenzione in condizioni umide," si devono applicare regolarmente se si sceglie di correre sul bagnato. Se non siete disposti ad eseguire questa manutenzione aggiuntiva, allora dovete evitare di utilizzare il veicolo in queste condizioni.

ATTENZIONE: L'uso incauto di questo prodotto o il mancato rispetto delle seguenti precauzioni può portare ad un malfunzionamento del prodotto e/o invalidare la garanzia.

PRECAUZIONI GENERALI

- Leggete attentamente le procedure di manutenzione del vostro veicolo in condizioni umide, per essere sicuri di avere tutte le attrezzature necessarie per questo scopo.
- Non tutte le batterie si possono usare in condizioni di umidità. Consultate il costruttore delle batterie prima di utilizzarle. Bisogna avere cautela quando si usano le batterie Li-Po in condizioni di bagnato.
- Molti trasmettitori non sono resistenti all'acqua. Consultate i relativi manuali o il costruttore prima dell'utilizzo.
- Non utilizzate mai il vostro trasmettitore o il veicolo quando ci sono lampi.
- Non utilizzate il vostro veicolo quando c'è il rischio che entri in contatto con acqua salata (acqua marina o acqua proveniente da una strada su cui sia stato sparso del sale), acqua contaminata o inquinata. L'acqua salata è molto conduttiva e altamente corrosiva, perciò bisogna usare molta cautela.

- Anche il minimo contatto con l'acqua potrebbe ridurre la vita del vostro motore se non è stato certificato come impermeabile o resistente all'acqua. Se dovesse essere troppo umido, accelerate poco finché l'acqua non viene rimossa dal motore. Far girare forte un motore bagnato potrebbe danneggiarlo rapidamente.
- Guidare sul bagnato può ridurre la vita del motore. La resistenza aggiuntiva in queste condizioni causa uno sforzo eccessivo. Modificate il rapporto di riduzione diminuendo il pignone o aumentando la corona. Questo aumenta la coppia (e la vita del motore) quando si utilizza il veicolo nel fango, in pozzanghere profonde o qualsiasi altra situazione in cui l'umidità possa aumentare il carico del motore per lungo tempo.

MANUTENZIONE IN CONDIZIONI UMIDE

- Scaricare l'acqua raccolta negli pneumatici facendoli girare ad alta velocità. Togliere la carrozzeria e rovesciare il veicolo, poi dare alcune brevi accelerate finché l'acqua non viene rimossa.



ATTENZIONE: Durante l'operazione precedente, tenere sempre lontano dalle parti rotanti mani, dita, attrezzi o altri oggetti liberi di muoversi.

- Togliere la batteria ed asciugarne i contatti. Se avete un compressore o una bombola di aria compressa, soffiare via l'eventuale acqua rimasta all'interno del connettore.
- Smontate le ruote/gomme dal veicolo e risciacquatele con attenzione per togliere il fango e la polvere usando un getto di acqua. Evitate di risciacquare i cuscinetti e la trasmissione.

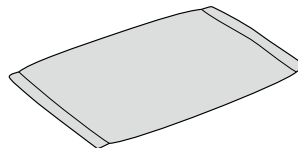
AVVISO: Non usare acqua sotto pressione per pulire il vostro veicolo.

- Usate un compressore o una bombola di aria compressa per asciugare il veicolo e togliere i residui di acqua eventualmente rimasti nelle piccole fessure e negli angoli.
- Spruzzare un olio impermeabilizzante o un lubrificante su cuscinetti, elementi di fissaggio e altre parti metalliche. Non spruzzare sul motore.
- Lasciate che il veicolo si asciughi all'aria prima di riporlo. L'acqua (e l'olio) continuerà a sgocciolare per alcune ore.
- Smontate il veicolo più di frequente, ispezionando e lubrificando le parti seguenti:
 - I cuscinetti dei mozzi sugli assi anteriore e posteriore.
 - Tutte le scatole di trasmissione, ingranaggi e differenziali.
 - Pulite il motore con un adatto prodotto aerosol e rilubrificate le boccole con olio leggero per motore.

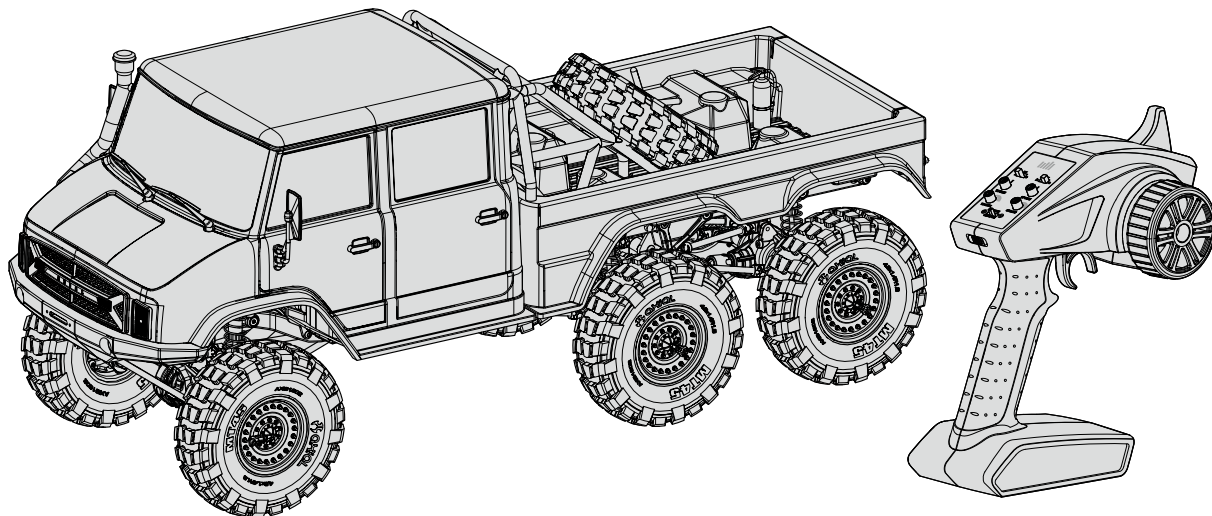
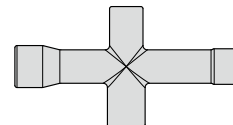
CONTENUTO DELLA SCATOLA

- Trasmittente Spektrum STX2 2,4 GHz (SPMSTX200)
- AXI03002 SCX10 II UNIMOG 6x6 RTR
 - Motore elettrico 35T (AX31312)
 - Ricevitore SRX200 2 canali (SPMSRX200)
 - Servo 9KG, impermeabile, ingranaggio del metallo, 23T (SPMS605)
 - ESC AE-5L con porte e luci LED (DYNS2213)
 - Set luci LED AE-5L (AX31481)

- Busta per componenti



- Chiave a croce



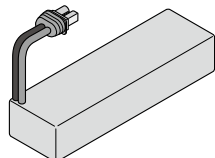
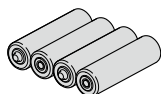
APPARECCHIATURE NECESSARIE

- (4) Batterie alcaline AA

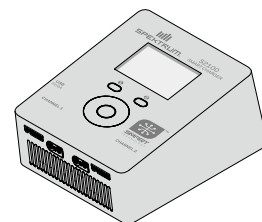
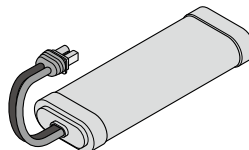
- Batteria LiPo 2-3S

- Batteria NiMH/NiCd a 5-9 celle
(connettore IC3 necessario)

- Caricabatterie compatibile con il tipo di batteria scelto per il veicolo



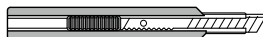
O



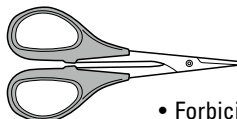
STRUMENTI CONSIGLIATI



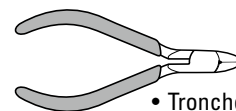
- Cacciaviti esagonali: (1,5, 2,0, 2,5 mm)



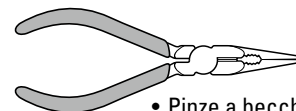
- Taglierino



- Forbici curve



- Tronchesino



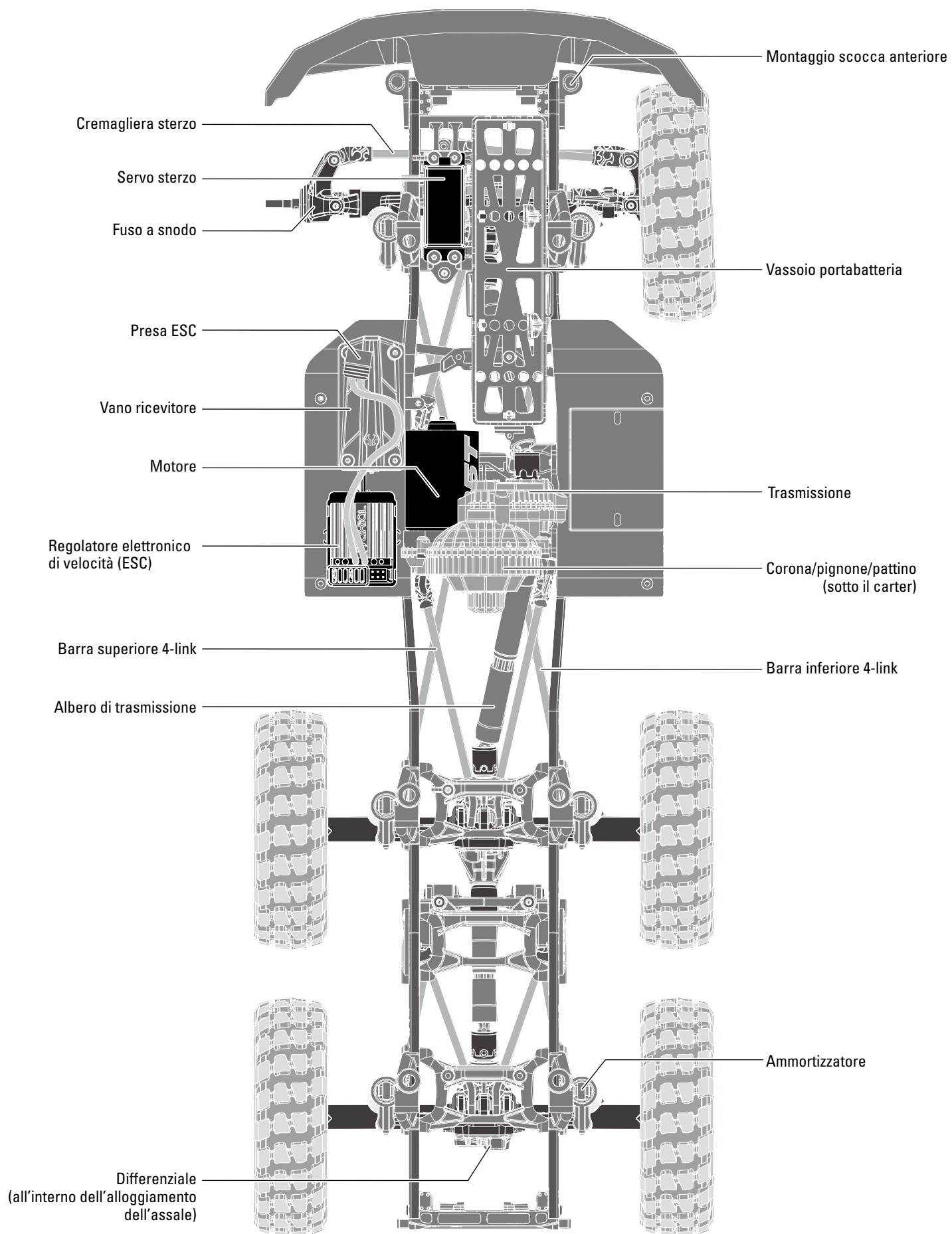
- Pinze a becchi lunghi

LISTA DI CONTROLLO PRE-UTILIZZO

Leggere il manuale
Acquisire familiarità con il veicolo e i suoi componenti
Verificare che tutte le viti, in particolare le viti di fissaggio dell'albero di trasmissione, siano state ben serrate in fabbrica
Caricare la batteria del veicolo
Installare 4 batterie AA nella trasmittente

Accendere la trasmittente
Installare la batteria del veicolo nel modello
Verificare il corretto funzionamento dell'acceleratore e dello sterzo
Provare la portata del radiocomando
Ora è possibile pilotare il veicolo e mettersi alla prova: BUON DIVERTIMENTO!
Realizzare eventuali operazioni di manutenzione necessarie sul veicolo

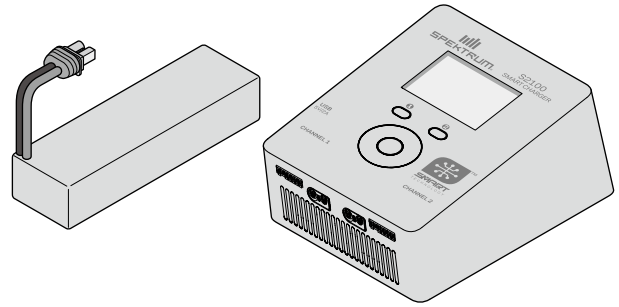
PARTI DEL VEICOLO



CARICARE LA BATTERIA DEL VEICOLO

Seguire le istruzioni del produttore affinché il caricabatterie carichi correttamente la batteria del veicolo.

ATTENZIONE: utilizzare esclusivamente caricabatterie progettati per la ricarica del tipo di batteria scelto. Utilizzando un caricabatterie errato o con impostazioni inadeguate, la batteria potrebbe prendere fuoco o esplodere.



INSTALLARE LE BATTERIE DEL TRASMETTITORE

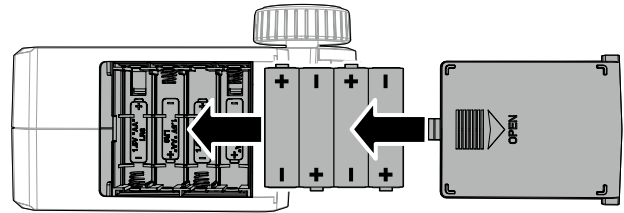
Per questo trasmettitore servono 4 pile AA.

1. Togliere il coperchio del portapile dal trasmettitore.
2. Inserire le pile come illustrato.
3. Rimettere a posto il coperchio del portapile.

ATTENZIONE: Non rimuovere mai le batterie dal trasmettitore mentre il modello è acceso. Una perdita di controllo del modello, danni o lesioni potrebbe verificarsi.

ATTENZIONE: se si usano anche le batterie ricaricabili, si raccomanda di caricare solo queste. È pericoloso caricare le pile a secco perché potrebbero esplodere causando lesioni e/o danni.

ATTENZIONE: se le batterie vengono sostituite con tipi non adatti, potrebbero esplodere. Le batterie si devono smaltire nel modo corretto secondo le disposizioni locali.



FUNZIONI DELLA TRASMITTENTE

A. Inversione dei servi

Per invertire il canale del throttle (TH) o dello sterzo (ST), modificare la posizione del rispettivo interruttore. "N" sta per normale, "R" per inverso.

B. Trim del throttle

Regola il punto neutro del throttle.

C. Trim di sterzata

Regola il punto centrale di sterzata. Di norma, il trim di sterzata è regolato finché il veicolo procede dritto.

D. Tasso di throttle

Regola il punto finale del throttle.

E. Tasso di sterzata

Regola il punto finale della sterzata

F. Luci di indicazione

- Luci rosse fisse: indicano che la radio è connessa e il livello di carica della batteria è sufficiente
- Luci rosse lampeggianti: indicano che la tensione della batteria è molto bassa. Le batterie devono essere sostituite

G. Limite di throttle

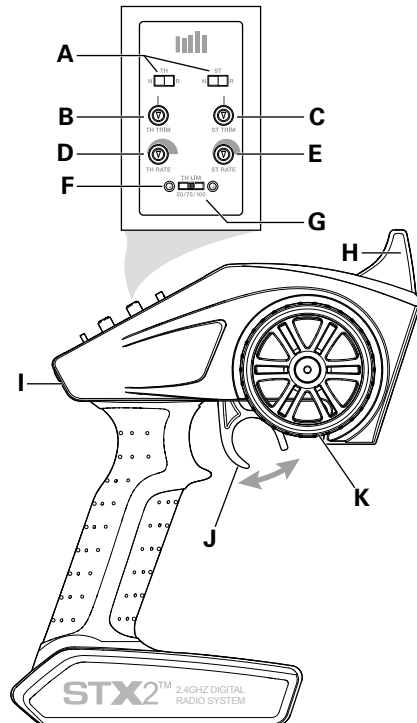
Limita la potenza del throttle al 50/75/100%. Selezionare 50% o 75% per piloti meno esperti o se si guida il veicolo in un'area ristretta.

H. Antenna

I. Pulsante alimentazione

J. Throttle/freno

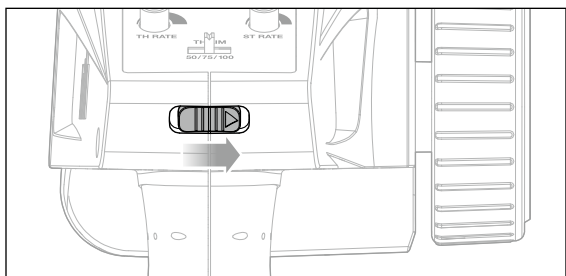
K. Ruota dello sterzo



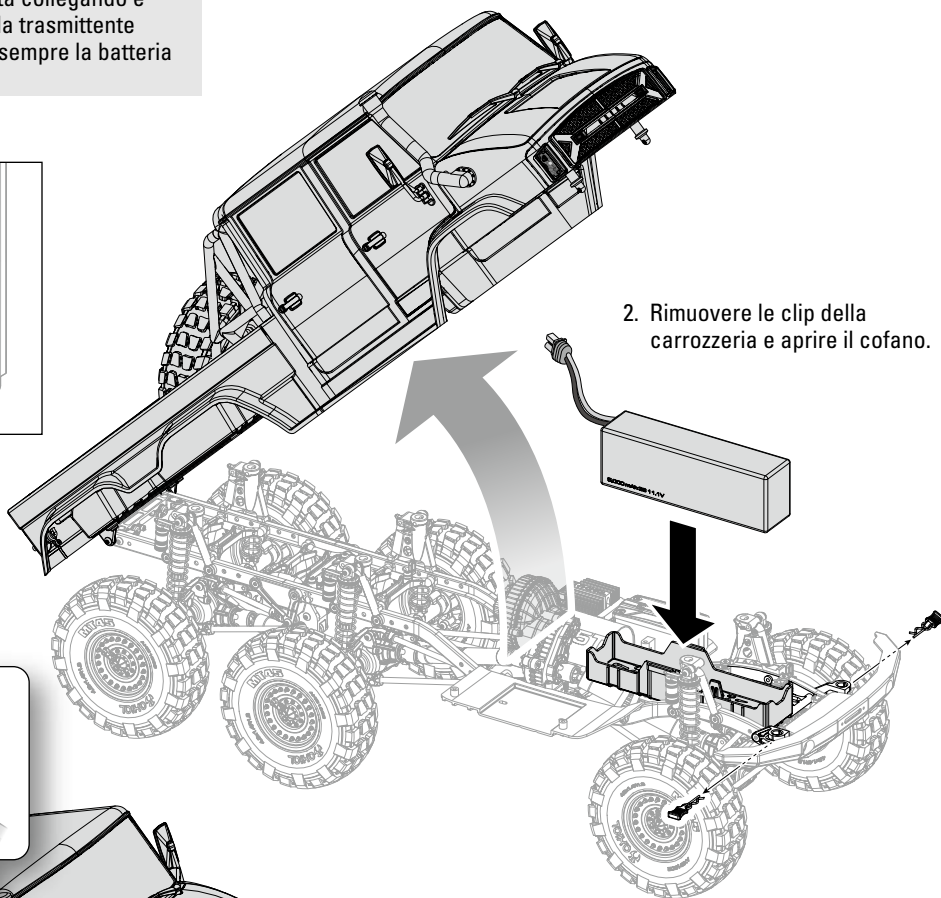
INSTALLARE LA BATTERIA DEL VEICOLO

AVVISO: l'alimentazione del veicolo viene controllata collegando e scollegando la batteria dell'ESC. Accendere sempre la trasmittente prima di collegare la batteria del veicolo. Scollegare sempre la batteria dall'ESC se inutilizzato.

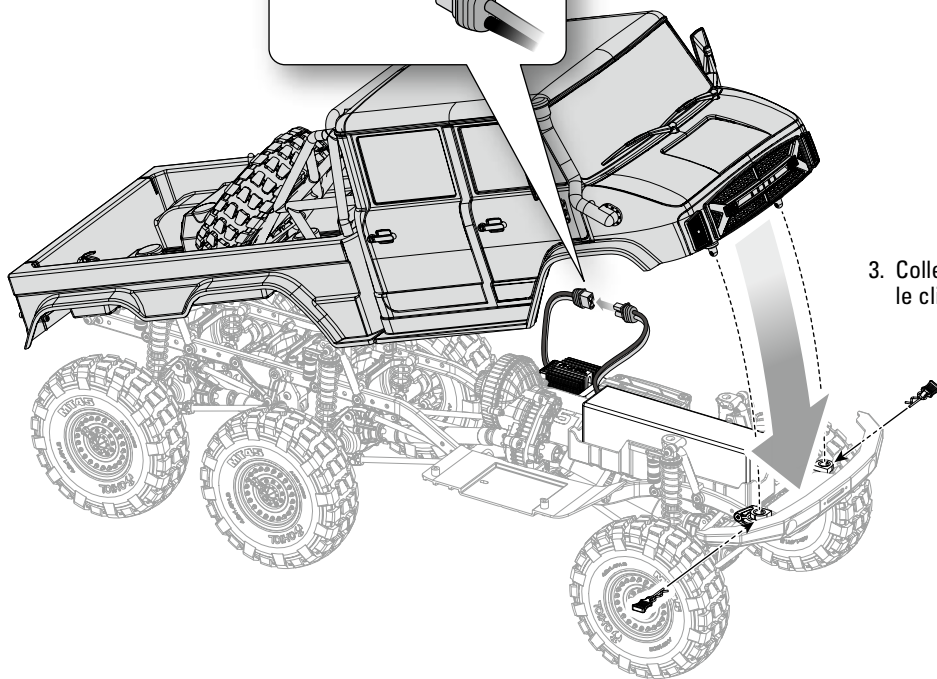
1. Accendere la trasmittente.



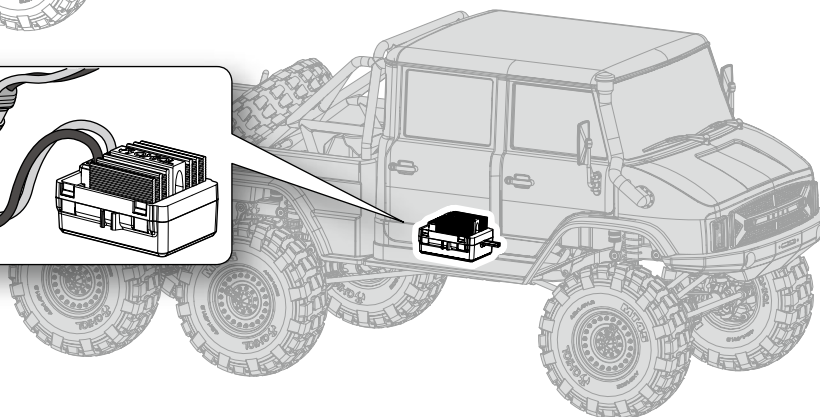
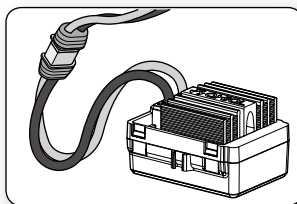
2. Rimuovere le clip della carrozzeria e aprire il cofano.



3. Collegare la batteria all'ESC. Chiudere il cofano e rimettere le clip della carrozzeria.



AVVISO: scollegare sempre la batteria dall'ESC prima di spegnere la trasmittente, per non causare la perdita del controllo del veicolo.



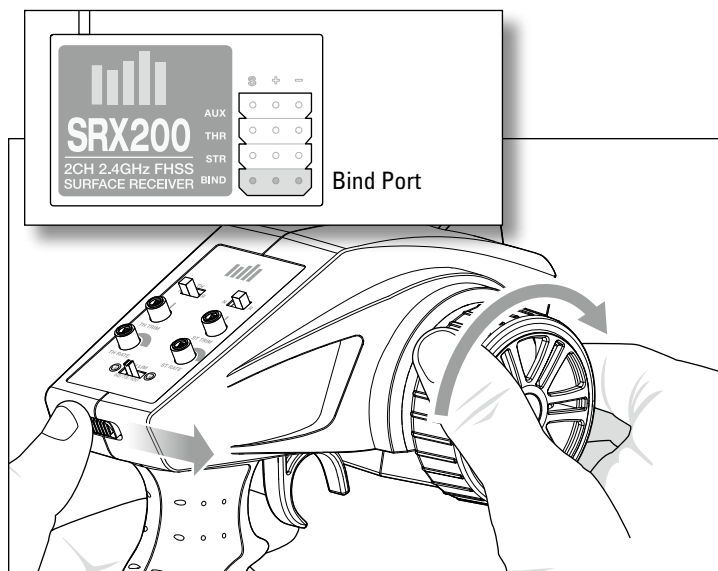
CONNESSIONE (BINDING)

La connessione (binding) è la procedura di programmazione del ricevitore per il riconoscimento del codice GUID (Globally Unique Identifier, Identificatore universalmente univoco) di una singola specifica trasmittente. La trasmittente STX2 e il ricevitore SPMSRX200 in dotazione sono connessi in fabbrica. Se è necessario effettuare nuovamente la connessione, seguire queste istruzioni.

1. Inserire il connettore di binding nella porta BIND sul ricevitore.
2. Collegare un pacco batteria completamente carico all'ESC.
3. Accendere l'ESC. Il LED rosso lampeggia, ad indicare che il ricevitore si trova in modalità di connessione.
4. Centrare i quadranti ST TRIM e TH TRIM sulla trasmittente.
5. Girare il volantino tutto a destra. Accendere la trasmittente tenendo il volantino girato a destra.
6. Quando il LED sul ricevitore smette di lampeggiare, lasciare il volantino.
7. Rimuovere il connettore di binding e spegnere il ricevitore per salvare le impostazioni.
8. Spegnerne la trasmittente.
9. Rimuovere il connettore di binding e conservarlo in un luogo opportuno.

È necessario effettuare nuovamente la connessione nel caso in cui:

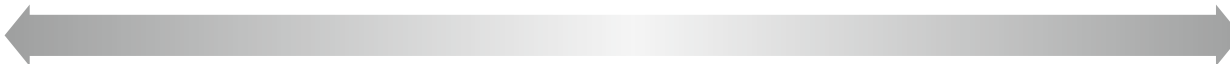
- Si desiderino posizioni failsafe diverse. Ad esempio quando sono state invertite le funzioni dell'acceleratore o dello sterzo.
- Si connetta il ricevitore a una diversa trasmittente.



PROVARE LA PORTATA DEL RADIOCOMANDO

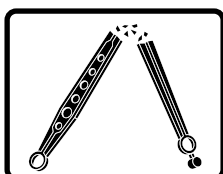
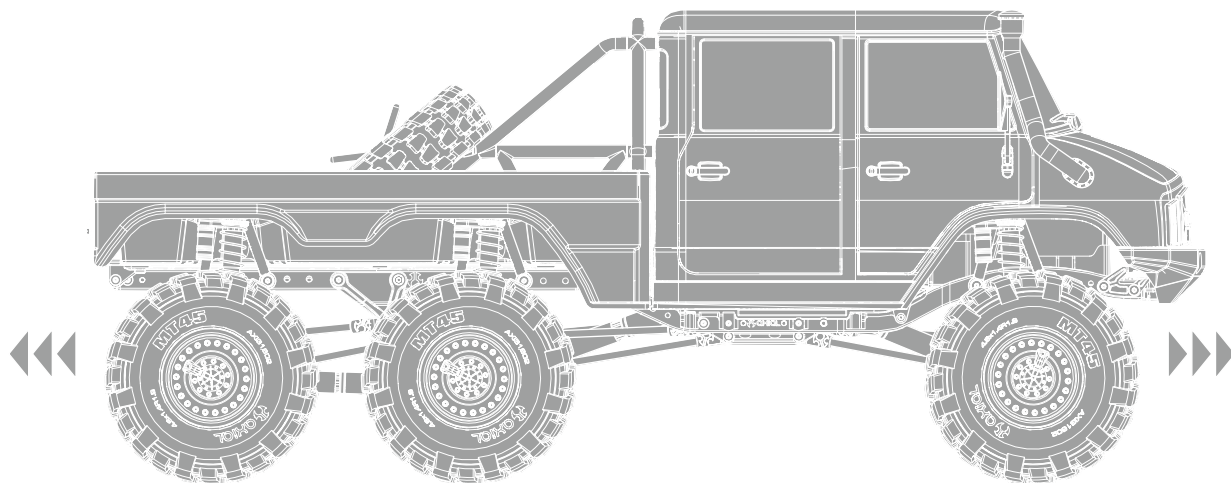
È opportuno testare il radiocomando prima di azionare il veicolo per garantirne il corretto funzionamento e una buona portata.

1. Accendere la trasmittente.
2. Collegare la batteria nel veicolo.
3. Chiedere a un'altra persona di reggere il veicolo tenendo mani e lembi di vestiario non aderenti lontano dalle parti mobili.
4. Allontanarsi fino a raggiungere la distanza massima di funzionamento pianificata dal veicolo.
5. Girare il volantino dello sterzo da un lato e dall'altro e azionare l'acceleratore, avanti e indietro, per verificare la presenza di eventuali comportamenti anomali.
6. In tal caso, **NON** utilizzare il veicolo. Chiamare il centro assistenza per ricevere aiuto.

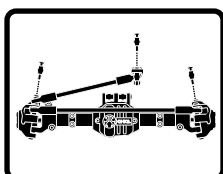


MANUTENZIONE DEL VEICOLO

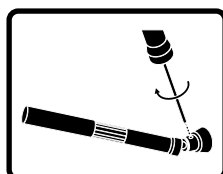
Proprio come una macchina o un pick-up a grandezza naturale, il modello RC deve essere sottoposto a regolare manutenzione per garantire prestazioni ottimali. La manutenzione preventiva consente anche di evitare inutili rotture dei componenti che potrebbero richiedere riparazioni costose. Di seguito vengono forniti alcuni suggerimenti per una manutenzione adeguata del veicolo.



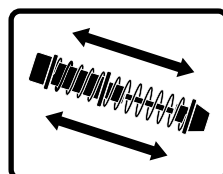
Sostituire eventuali componenti visibilmente piegati o danneggiati



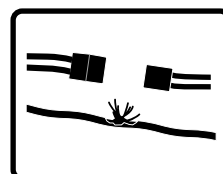
Verificare l'usura dei giunti sferici delle bielle dello sterzo e delle sospensioni (sostituirli se necessario)



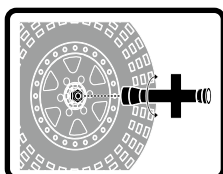
Verificare le viti di fissaggio dell'albero di trasmissione e applicare dei frenafili se necessario



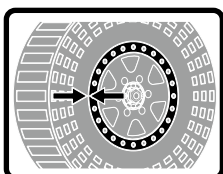
Verificare che gli ammortizzatori operino in modo fluido e regolare



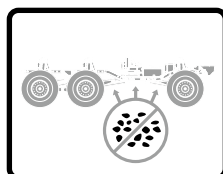
Verificare la presenza di parti allentate o cavi danneggiati



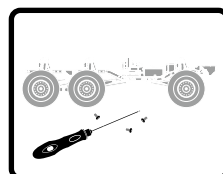
Verificare che i dadi delle ruote siano ben serrati



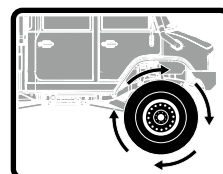
Assicurarsi che i talloni delle ruote aderiscano ancora perfettamente lungo tutta la circonferenza del cerchione



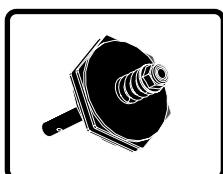
Mantenere il telaio privo di sporco o detriti



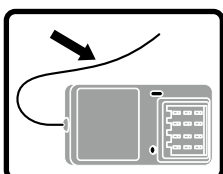
Verificare la presenza di viti allentate sul telaio, in particolare le viti di blocco dello snodo, del mozzo centrale e dell'assale



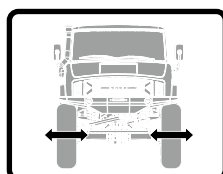
Verificare che la trasmissione operi in modo fluido e senza impedimenti



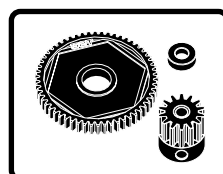
Se presente, verificare il funzionamento della frizione antisaltellamento



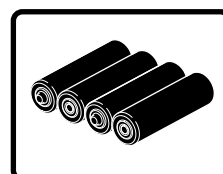
Verificare che l'antenna del ricevitore non sia danneggiata



Verificare che lo sterzo si muova liberamente



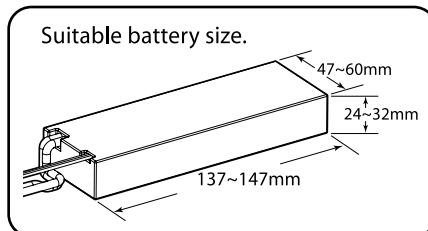
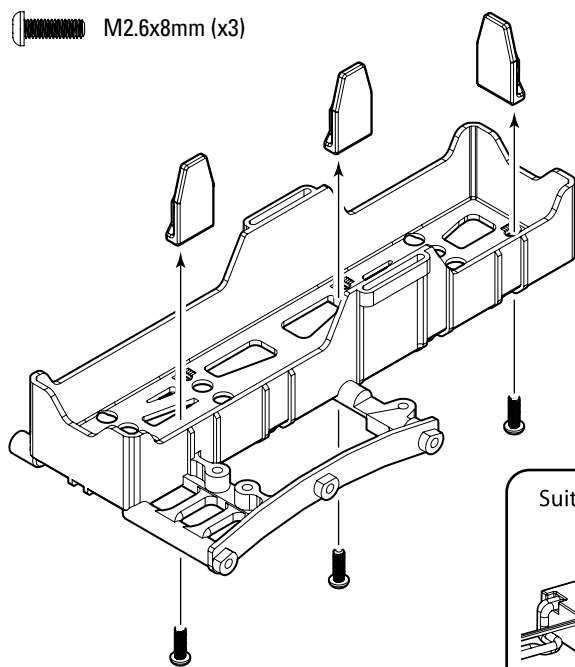
Ispezionare la corona e il pignone per verificare la presenza di danni



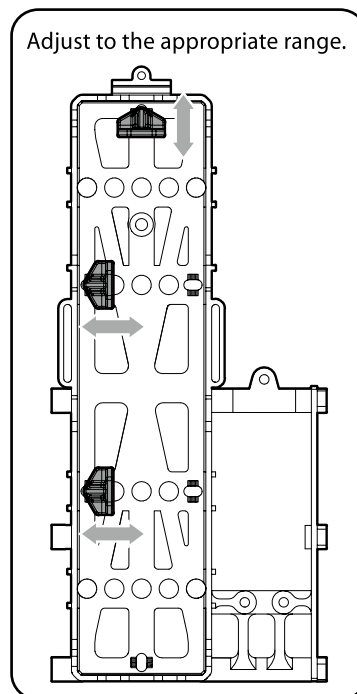
Sostituire le batterie della trasmittente quando indicato dalla trasmittente, come descritto al paragrafo 'Funzioni della trasmittente'

REGOLAZIONE DEL SUPPORTO DELLA BATTERIA

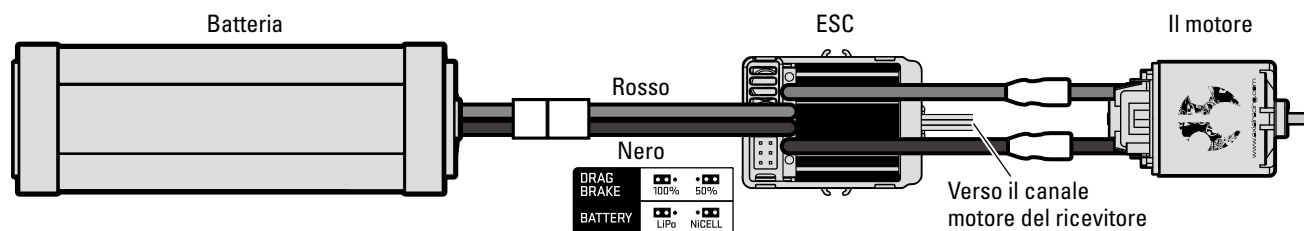
M2.6x8mm (x3)



Adjust to the appropriate range.



ESC AVANTI/INDIETRO AE-5L CON AEROFRENO



IMPOSTAZIONI INIZIALI

La calibrazione dell'acceleratore non dovrebbe essere necessaria al primo utilizzo dopo l'acquisto. Tuttavia, per regolare la corsa dell'acceleratore di diverse trasmettenti, è necessario calibrare l'ESC:

- Montare l'ESC in un luogo ben ventilato e al riparo da vibrazioni o urti.
- Collegare i cavi del motore dell'ESC al motore rispettando i colori dei connettori, rosso-rosso e nero-nero.
- Collegare il ricevitore al canale del motore del ricevitore.
- Prima di inserire la batteria nell'ESC, assicurarsi che la trasmittente sia accesa e che il trim del motore sia su zero.
- Collegare la batteria all'ESC. Il veicolo si accenderà dopo aver collegato la batteria.

⚠ ATTENZIONE: tenere parti del corpo e lembi di vestiario non aderenti lontano dalle parti mobili quando la batteria è collegata all'ESC.

⚠ ATTENZIONE: collegare sempre l'ESC a una fonte di alimentazione idonea, con tensione e polarità corretti. Valori di tensione errati o polarità inversa possono danneggiare l'ESC. Eventuali danni all'ESC causati da tensione o polarità inadeguate non sono coperti dalla garanzia.

- Testare la marcia avanti e la retromarcia usando la trasmittente.

Per calibrare l'ESC:

- accendere la trasmittente e mettere il comando motore in posizione neutra.
- Collegare la batteria all'ESC e attendere 3 secondi affinché l'ESC avvii l'auto-verifica e la calibrazione automatica dell'acceleratore.
- L'ESC è pronto all'uso quando il motore emette un segnale acustico lungo.
- Scollegare sempre la batteria se il veicolo è inutilizzato.

NOTE

- L'aerofreno è impostato su 100% in fabbrica.
- Il blocco della batteria LiPo è impostato su "ON" in fabbrica.

SPECIFICHE DELL'ESC

Tensione d'ingresso	2-3S LiPo, 5-9 Celle NiMH/NiCd
Dimensioni	46,5 mm x 34 mm x 28,5 mm
Peso	70 g
Limite del motore	12T 2S/18T 3S
FET su resistenza	0,002
Corrente nominale/di picco	180 A
Corrente di frenatura	90 A
Tensione BEC/A	6,0 V 3,0 A picco
Frequenza PWM	1 KHz

STATO ACUSTICO ESC

1 segnale acustico breve	La batteria è NiMH/NiCd
2 segnali acustici brevi	La batteria è 2S LiPo
3 segnali acustici brevi	La batteria è 3S LiPo
1 segnale acustico lungo	Auto-verifica e calibrazione acceleratore eseguiti con successo, ESC pronto all'uso

RAPPORTO DI RIDUZIONE

Tabella rapporto di riduzione corona/pignone

	12	13	14	15	16	17	18
56	45.50	42.00	39.00	36.40	34.13	32.12	30.33
60	48.75	45.00	41.79	39.00	36.56		

GUIDA ALLA RISOLUZIONE DEI PROBLEMI

PROBLEMA	POSSIBILE CAUSA	SOLUZIONE
Il veicolo non si muove	Le batterie non sono state installate correttamente nella trasmittente	Assicurarsi che le batterie della trasmittente siano installate correttamente
	Batteria scarica o assente nel veicolo	Installare una batteria appena ricaricata sul veicolo
	Motore danneggiato	Sostituire il motore
	Cavi danneggiati o rotti	Sostituire i cavi danneggiati
	L'ESC viene spento dal circuito di protezione termica	Lasciare raffreddare completamente l'ESC
Perdita del controllo del veicolo	Antenna posizionata in modo errato	Assicurarsi che l'antenna della trasmittente non sia bloccata e che l'antenna del ricevitore sia posizionata correttamente
	Batterie scariche o assenti nel veicolo	Installare una batteria appena ricaricata sul veicolo e batteria nuove sulla trasmittente
	Posizione neutra o del trim errata	Regolare il trim dello sterzo
	Ricevitore e/o batteria non collegati correttamente	Verificare tutti i collegamenti del ricevitore e della batteria
La funzione sterzo e/o acceleratore è invertita	La corsa del servo è invertita a livello della trasmittente	Mettere in posizione corretta l'interruttore d'inversione della corsa del servo sulla trasmittente
	I cavi del motore non sono collegati correttamente	Verificare che tutti i cavi del motore abbiano polarità corretta e siano ben collegati

NOTE

GARANZIA

Periodo di garanzia

Garanzia esclusiva - Horizon Hobby, LLC (Horizon) garantisce che il prodotto acquistato (il "Prodotto") sarà privo di difetti relativi ai materiali e di eventuali errori di montaggio alla data di acquisto. Il periodo di garanzia è conforme alle disposizioni legali del paese nel quale il prodotto è stato acquistato. Tale periodo di garanzia ammonta a 6 mesi e si estende ad altri 18 mesi dopo tale termine.

Limiti della garanzia

- (a) La garanzia è limitata all'acquirente originale (Acquirente) e non è cedibile a terzi. L'acquirente ha il diritto a far riparare o a far sostituire la merce durante il periodo di questa garanzia. La garanzia copre solo quei prodotti acquistati presso un rivenditore autorizzato Horizon. Altre transazioni di terze parti non sono coperte da questa garanzia. La prova di acquisto è necessaria per far valere il diritto di garanzia. Inoltre, Horizon si riserva il diritto di cambiare o modificare i termini di questa garanzia senza alcun preavviso e di escludere tutte le altre garanzie già esistenti.
- (b) Horizon non si assume alcuna garanzia per la disponibilità del prodotto, per l'adeguatezza o l'idoneità del prodotto a particolari previsti dall'utente. È sola responsabilità dell'acquirente il fatto di verificare se il prodotto è adatto agli scopi da lui previsti.
- (c) Richiesta dell'acquirente – spetta soltanto a Horizon, a propria discrezione riparare o sostituire qualsiasi prodotto considerato difettoso e che rientra nei termini di garanzia. Queste sono le uniche rivalse a cui l'acquirente si può appellare, se un prodotto è difettoso.

Horizon si riserva il diritto di controllare qualsiasi componente utilizzato che viene coinvolto nella rivalsa di garanzia. Le decisioni relative alla sostituzione o alla riparazione sono a discrezione di Horizon. Questa garanzia non copre dei danni superficiali o danni per cause di forza maggiore, uso errato del prodotto, un utilizzo che viola qualsiasi legge, regolamentazione o disposizione applicabile, negligenza, uso ai fini commerciali, o una qualsiasi modifica a qualsiasi parte del prodotto.

Questa garanzia non copre danni dovuti ad un'installazione errata, ad un funzionamento errato, ad una manutenzione o un tentativo di riparazione non idonei a cura di soggetti diversi da Horizon. La restituzione del prodotto a cura dell'acquirente, o da un suo rappresentante, deve essere approvata per iscritto dalla Horizon.

Limiti di danno

Horizon non si riterrà responsabile per danni speciali, diretti, indiretti o consequenziali; perdita di profitto o di produzione; perdita commerciale connessa al prodotto, indipendentemente dal fatto che la richiesta si basa su un contratto o sulla garanzia. Inoltre la responsabilità di Horizon non supera mai in nessun caso il prezzo di acquisto del prodotto per il quale si chiede la responsabilità. Horizon non ha alcun controllo sul montaggio, sull'utilizzo o sulla manutenzione del prodotto o di combinazioni di vari prodotti. Quindi Horizon non accetta nessuna responsabilità per danni o lesioni derivanti da tali circostanze. Con l'utilizzo e il montaggio del prodotto l'utente acconsente a tutte le condizioni, limitazioni e riserve di garanzia citate in questa sede.

Qualora l'utente non fosse pronto ad assumersi tale responsabilità associata all'uso del prodotto, si suggerisce di restituire il prodotto intatto, mai usato e immediatamente presso il venditore.

Indicazioni di sicurezza

Questo è un prodotto sofisticato di hobbistica e non è un giocattolo. Esso deve essere manipolato con cautela, con giudizio e richiede delle conoscenze basilari di meccanica e delle facoltà mentali di base. Se il prodotto non verrà manipolato in maniera sicura e responsabile potrebbero risultare delle lesioni, dei gravi danni a persone, al prodotto o all'ambiente circostante. Questo prodotto non è concepito per essere usato dai bambini senza una diretta supervisione di un adulto. Il manuale del prodotto contiene le istruzioni di sicurezza, di funzionamento e di manutenzione del prodotto stesso. È fondamentale leggere e seguire tutte le istruzioni e le avvertenze nel manuale prima di mettere in funzione il prodotto. Solo così si eviterà un utilizzo errato e si preveniranno incidenti, lesioni o danni.

Domande, assistenza e riparazioni

Il vostro negozio locale e/o luogo di acquisto non possono fornire garanzie di assistenza o riparazione senza previo colloquio con Horizon. Questo vale anche per le riparazioni in garanzia. Quindi in tali casi bisogna interpellare un rivenditore, che si metterà in contatto subito con Horizon per prendere una decisione che vi possa aiutare nel più breve tempo possibile.

Manutenzione e riparazione

Se il prodotto deve essere ispezionato o riparato, si prega di rivolgersi ad un rivenditore specializzato o direttamente ad Horizon. Il prodotto deve essere imballato con cura. Bisogna far notare che i box originali solitamente non sono adatti per effettuare una spedizione senza subire alcun danno. Bisogna effettuare una spedizione via corriere che fornisce una tracciabilità e un'assicurazione, in quanto Horizon non si assume alcuna responsabilità in relazione alla spedizione del prodotto. Inserire il prodotto in una busta assieme ad una descrizione dettagliata degli errori e ad una lista di tutti i singoli componenti spediti. Inoltre abbiamo bisogno di un indirizzo completo, di un numero di telefono per chiedere ulteriori domande e di un indirizzo e-mail.

Garanzia e riparazione

Le richieste in garanzia verranno elaborate solo se è presente una prova d'acquisto in originale proveniente da un rivenditore specializzato autorizzato, nella quale è ben visibile la data di acquisto. Se la garanzia viene confermata, allora il prodotto verrà riparato o sostituito. Questa decisione spetta esclusivamente a Horizon Hobby.

Riparazioni a pagamento

Se bisogna effettuare una riparazione a pagamento, effettueremo un preventivo che verrà inoltrato al vostro rivenditore. La riparazione verrà effettuata dopo l'autorizzazione da parte del vostro rivenditore. La somma per la riparazione dovrà essere pagata al vostro rivenditore. Le riparazioni a pagamento avranno un costo minimo di 30 minuti di lavoro e in fattura includeranno le spese di restituzione. Qualsiasi riparazione non pagata e non richiesta entro 90 giorni verrà considerata abbandonata e verrà gestita di conseguenza.

ATTENZIONE: Le riparazioni a pagamento sono disponibili solo sull'elettronica e sui motori. Le riparazioni a livello meccanico, soprattutto per gli elicotteri e le vetture RC, sono molto costose e devono essere effettuate autonomamente dall'acquirente.

10/15

GARANZIA E ASSISTENZA - INFORMAZIONI PER I CONTATTI

Stato di acquisto	Horizon Hobby	Telefono/Indirizzo e-mail	Indirizzo
Unione Europea	Horizon Technischer Service Sales: Horizon Hobby GmbH	service@horizonhobby.de +49 (0) 4121 2655 100	Hanskampring 9 D 22885 Barsbüttel, Germany

DICHIARAZIONE DI CONFORMITÀ PER L'UNIONE EUROPEA

CE DICHIARAZIONE DI CONFORMITÀ UE: AXI03002 SCX10 II UNIMOG 6x6 RTR

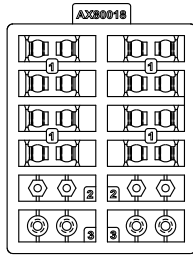
Horizon Hobby, LLC dichiara che il presente prodotto è conforme ai requisiti essenziali e ad altre disposizioni rilevanti delle direttive RED e EMC. Una copia della dichiarazione di conformità UE è disponibile online all'indirizzo: <http://www.horizonhobby.com/content/support-render-compliance>.

OPERATING FREQUENCY: 2406-2475 MHZ, MAX EIRP: 10DBM

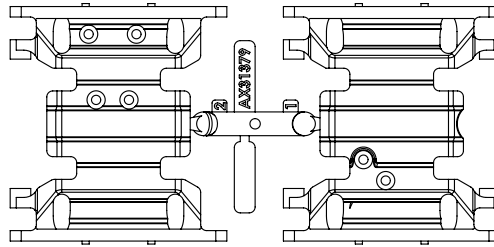


ISTRUZIONI DEL RAEE PER LO SMALTIMENTO DA PARTE DI UTENTI DELL'UNIONE EUROPEA

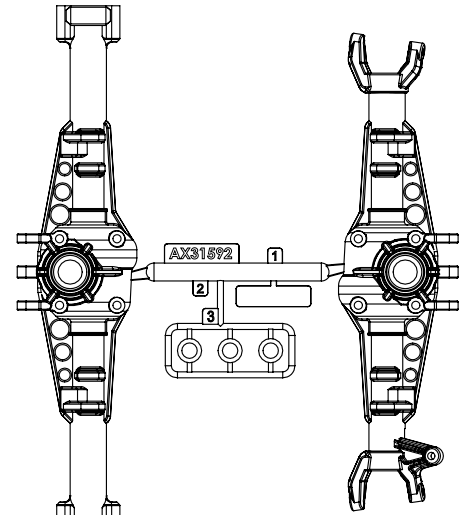
Questo prodotto non deve essere smaltito assieme ai rifiuti domestici. Al contrario, l'utente è responsabile dello smaltimento di tali rifiuti che devono essere portati in un centro di raccolta designato per il riciclaggio di rifiuti elettrici e apparecchiature elettroniche. La raccolta differenziata e il riciclaggio di tali rifiuti provenienti da apparecchiature nel momento dello smaltimento aiuteranno a preservare le risorse naturali e garantiranno un riciclaggio adatto a proteggere il benessere dell'uomo e dell'ambiente. Per maggiori informazioni sui centri di raccolta, contattare il proprio ufficio locale, il servizio di smaltimento rifiuti o il negozio presso il quale è stato acquistato il prodotto.



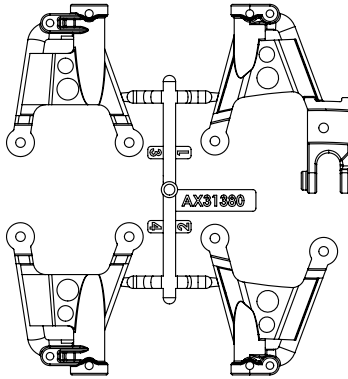
AX80018 (x3)
Hardware parts tree
Hardware-Teilebaum
Arbre des pièces de quincaillerie
Set bulloneria



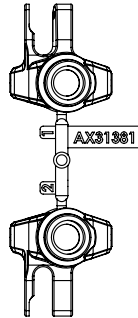
AX31379 (x1)
SCX10 II Skid Plates
SCX10 II Gleitbreiter
Plaques de protection SCX10 II
Piastra trasmissione SCX10 II



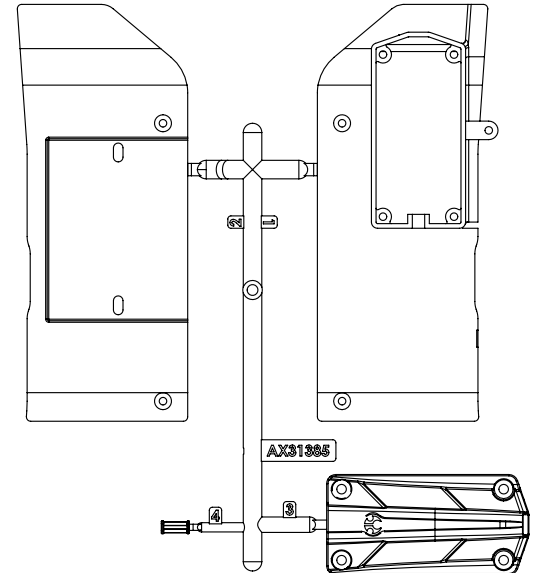
AX31592 (x1)
AR44 Solid axle housing, front and rear
AR44 solides Achsgehäuse, vorne und hinten
Carter d'essieu solide AR44, avant et arrière
Alloggiamento solido assale AR44, anteriore e posteriore



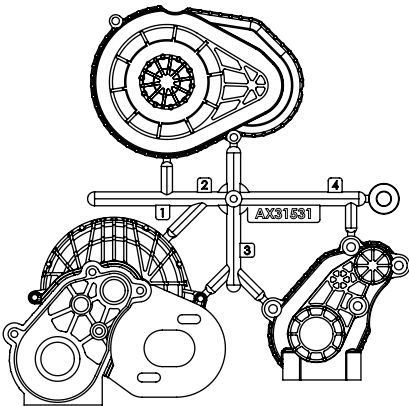
AX31380 (x1)
SCX10 II Shock Hoops
SCX10 II Stoßdämpfer
Anneaux d'amortisseurs SCX10 II
Torre d'urto SCX10 II



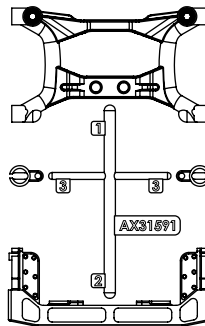
AX31381 (x1)
AR44 Steering knuckles
AR44 Lenkrollen
Rotules de direction AR44
Fuso a snodo AR44



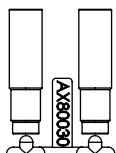
AX31385 (x1)
SCX10 II Side Plates
SCX10 II Seitenplatten
Plaques latérales SCX10 II
Piastra lato SCX10 II



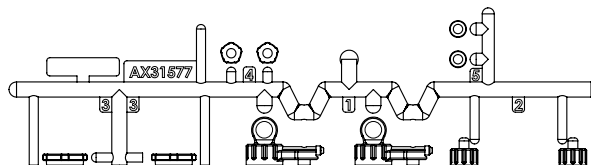
AX31531 (x1)
LCX Transmission case, silver
LCX Getriebeabdeckung, silber
Boîtier de transmission LCX, argenté
Scatola del cambio LCX, argento



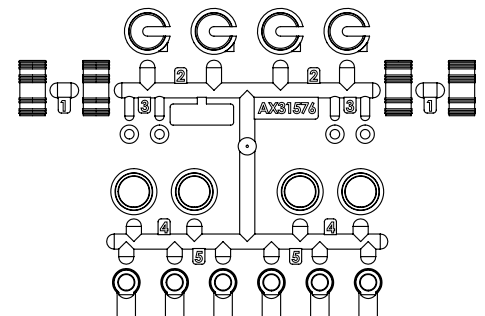
AX31591 (x1)
Chassis Brace set
Karosseriestrebensatz
Ensemble de support de carrosserie
Set bretella telaio



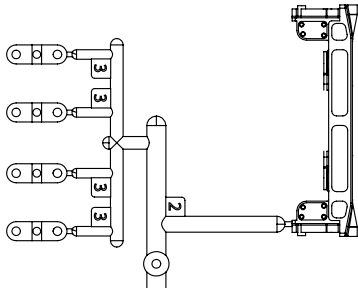
AX80030 (x3)
61-90mm shock body
61-90mm Stoßdämpfergehäuse
Corps d'amortisseur 61-90 mm
Scocca ammortizzatore 61-90 mm



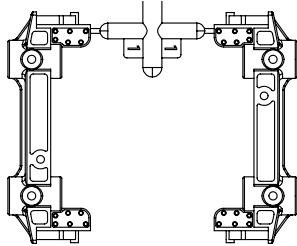
AX31577 (x3)
Shock cap parts tree
Stoßdämpferkappe Teilebaum
Arbre des pièces de capuchons d'amortisseurs
Set tappi ammortizzatore



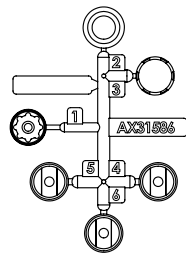
AX31576 (x2)
10mm shock parts tree
10 mm Stoßdämpfer-Teilebaum
Arbre des pièces d'amortisseurs 10 mm
Set ricambi per ammortizzatore 10 mm



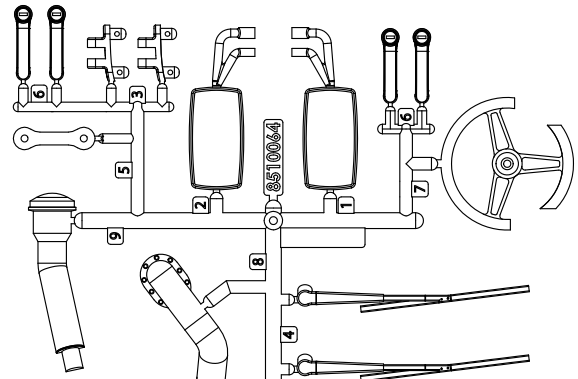
AXI31634 (x1)
 Bumper Mounts and Pivot Mounts
 Stoßstangen- und Drehgelenkhalterungen
 Supports de pare-choc et supports pivot
 Supporti ammortizzatore e supporti girevoli



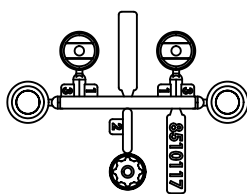
AXI31630 (x1)
 UMG10 Grille Lens Set (Clear)
 UMG10 Kühlergrill-Linsensatz (transparent)
 Ensemble de lentilles de calandre UMG10 (clair)
 Set lenti griglia (trasparente) UMG10



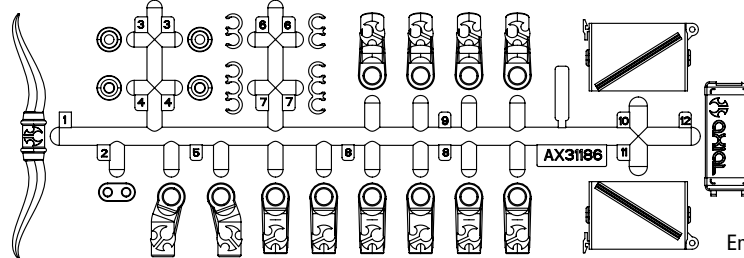
AXI31586 (x2)
 WB8-HD Standard driveshaft
 WB8-HD Standard-Antriebswelle
 Arbre de transmission standard WB8-HD
 Albero di trasmissione standard WB8-HD



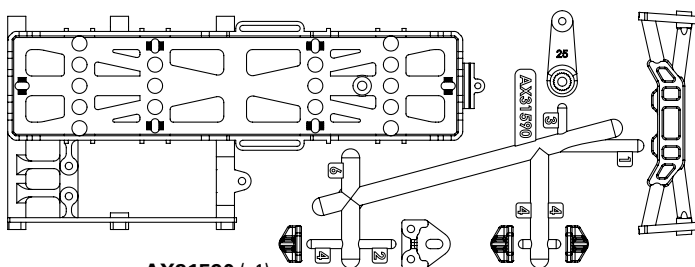
AXI31632 (x1)
 UMG10 Body Details Set
 UMG10 Gehäuse-Einzelteilsatz
 Ensemble des détails de la carrosserie UMG10
 Set elementi carrozzeria UMG10



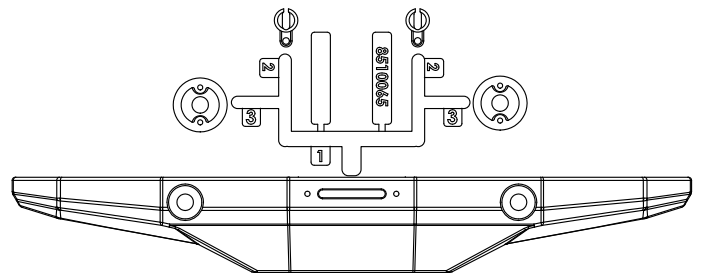
AXI232001 (x1)
 AXI232001 V2 6x6 Driveshaft Set Short
 AXI232001 V2 6x6 Antriebswellensatz kurz
 AXI232001 Ensemble d'arbre de transmission
 AXI232001 Set albero di trasmissione V2 6x6, corto



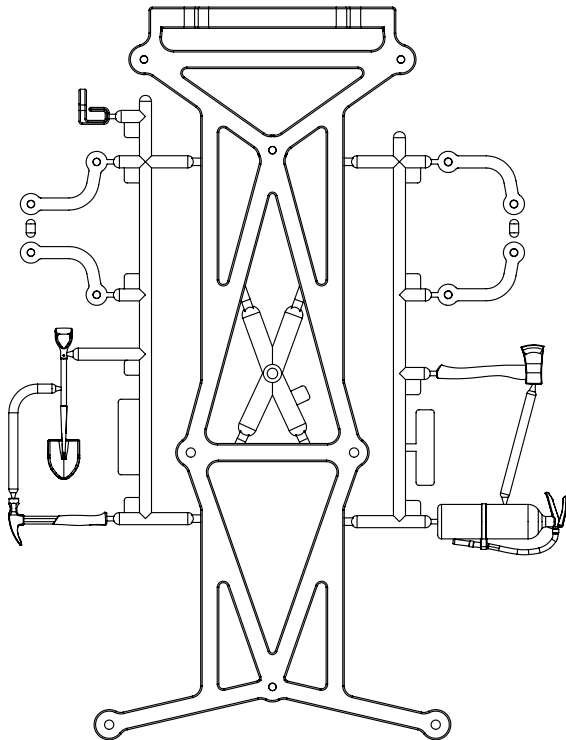
AX31186 (x3)
 M4 Rod End Set
 M4 Stangenkopfsatz
 Ensemble d'embout de bielle M4
 Set teste a snodo M4



AX31590 (x1)
 Battery Tray and Servo Mount Set
 Akkuhalterung- und Servohalterungssatz
 Ensemble de supports de servo et support de batterie
 Set vassoio portabatteria e supporti servo

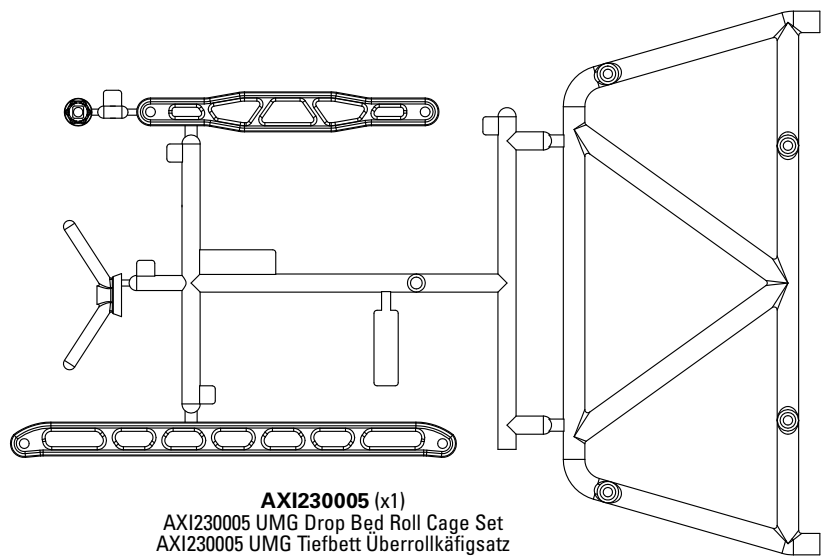


AXI31633 (x1)
 High Clearance Front Plate Bumper
 Stoßfänger mit hohem Spielraum für die Frontplatte
 Pare-choc plaque avant avec espacement élevé
 Ammortizzatore piastra anteriore con disimpegno elevato



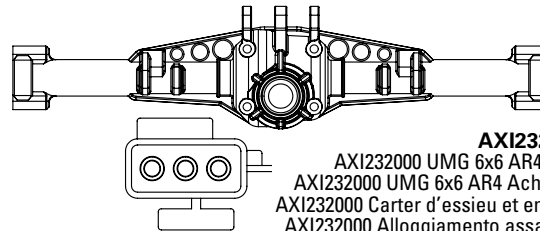
AXI230004 (x1)

AXI230004 UMG10 6x6 Bed - .040 Cut (Clear)
 AXI230004 UMG10 6x6 Bett – 0,040 Schnitt (transparent)
 AXI230004 Arceau, coupé (clair), 0,040, UMG10 6x6
 AXI230004 Cassone UMG10 6x6 - taglio .040 (trasparente)



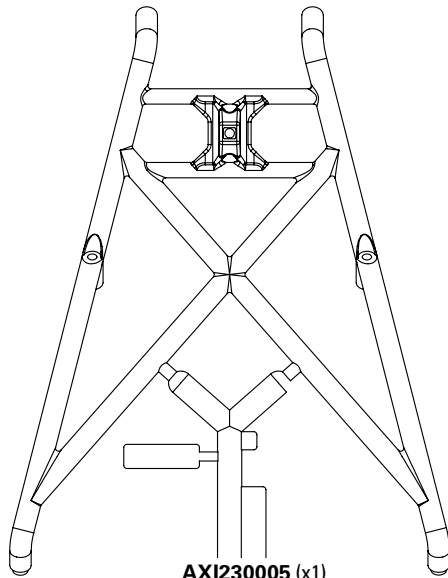
AXI230005 (x1)

AXI230005 UMG Drop Bed Roll Cage Set
 AXI230005 UMG Tiefbett Überrollkäfigsatz
 AXI230005 Ensemble de cage de retournement du plateau abaissable UMG
 AXI230005 Set scocca di protezione abbassa cassone UMG



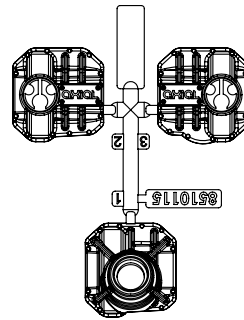
AXI232000 (x1)

AXI232000 UMG 6x6 AR4 Axle Housing & Cover Set
 AXI232000 UMG 6x6 AR4 Achsgehäuse und Abdeckungssatz
 AXI232000 Carter d'essieu et ensemble de caches, UMG 6x6 AR4
 AXI232000 Alloggiamento assale e set coperture AR4 UMG 6x6



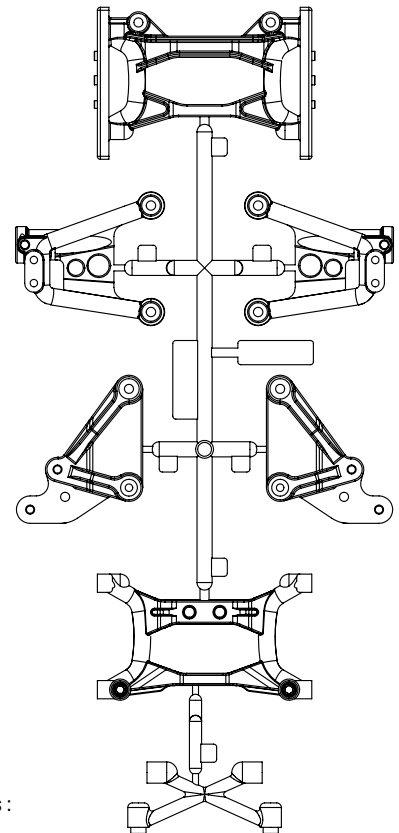
AXI230005 (x1)

UMG Drop Bed Roll Cage Set
 UMG Tiefbett Überrollkäfigsatz
 Ensemble de cage de retournement du plateau abaissable UMG
 Set scocca di protezione abbassa cassone UMG



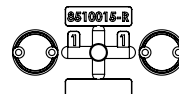
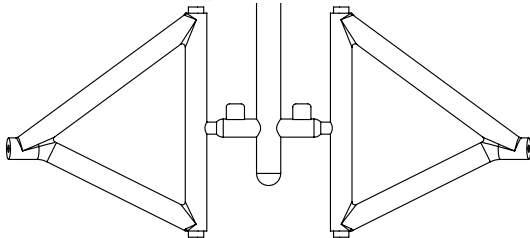
AXI232000 (x1)

UMG 6x6 AR44 Axle Housing & Cover Set
 UMG 6x6 AR4 Achsgehäuse und Abdeckungssatz
 Carter d'essieu et ensemble de caches, UMG 6x6 AR44
 Alloggiamento assale e set coperture AR4 UMG 6x6



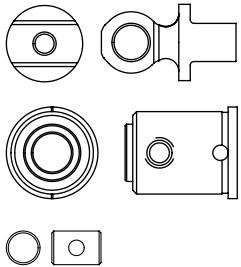
AXI231004 (x1)

AXI231004 SCX10-II Frame Extension & Brace Set:
 AXI231004 SCX10-II Rahmenverlängerung und Stützensatz:
 AXI231004 Ensemble du support et de rallonge du châssis SCX10-II :
 AXI231004 Estensione telaio e set bretella SCX10-II:

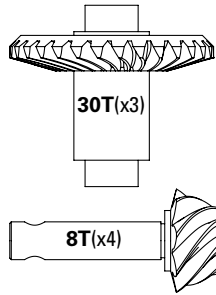


AXI230013 (x1)

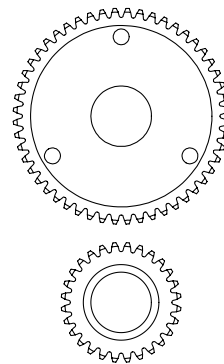
AXI230013 Tail Light Lens Red 2pc:
 AXI230013 Heckleuchtenlinse Rot 2 Stk:
 AXI230013 Lentilles de feux arrière rouges, 2 pièces :
 AXI230013 Lenti luce di coda, rosso 2 pz.:



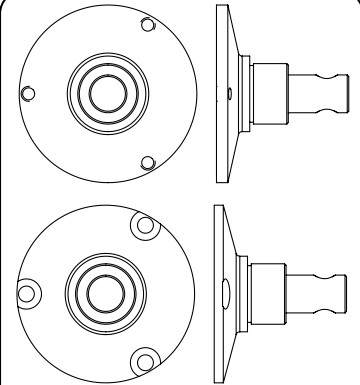
AX31148 (x6)
WB8-HD Driveshaft coupler set
WB8-HD-Antriebswellenkupplungssatz
Ensemble de couplage d'arbre de transmission WB8-HD
Set accoppiamento albero trasmissione WB8-HD



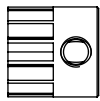
AX31530
AR44 Locker bevel gear set, 30T/8T
AR44 Kegelradgetriebesatz, 30T/8T
Ensemble d'engrenage conique de blocage AR44, 30T/8T
Set coppia conica blocco AR44, 30T/8T



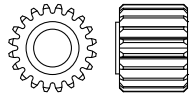
AX31585 (x1)
48P Gear set, 28T, 52T
48P Getriebesatz, 28T, 52T
Ensemble d'engrenage 48P, 28T, 52T
Set ingranaggi 48P, 28T, 52T



AX30435 (x1)
Steel outrdrive shaft
Stahl-Flexwelle
Arbre de transmission extérieur en acier
Albero outrdrive acciaio



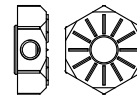
AX30725 (x1)
Pinion gear, 14T, 32P
Zahnradgetriebe, 14T, 32P
Engrenage à pignons, 14T, 32P
Pignone, 14T, 32P



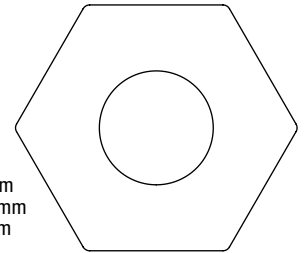
AX30394 (x1)
Drive gear, 20T
Antriebszahnrad, 20T
Engrenage d'entraînement, 20T
Ingranaggio trasmissione, 20T



AX30413 (x1)
Slipper spring, 8.5 x 12
Gleitfeder, 8,5 x 12
Ressort de sabot, 8,5 x 12
Molla pattino, 8,5 x 12



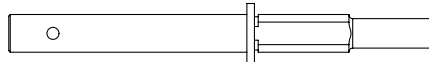
AX30427 (x4)
Narrow 12mm aluminum hub
Schmale Aluminium-Nabe, 12 mm
Moyeu étroit en aluminium de 12 mm
Mozzo in alluminio stretto, 12 mm



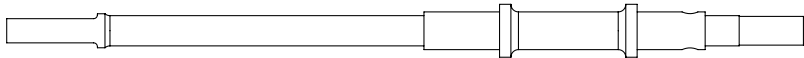
AX31068 (x2)
Slipper pad, 32.8 x 15.2 x 1 mm
Gleitkissen 32,8 x 15,2 x 1 mm
Sabot de piston, 32,8 x 15,2 x 1 mm
Pattino scorrevole, 32,8 x 15,2 x 1 mm



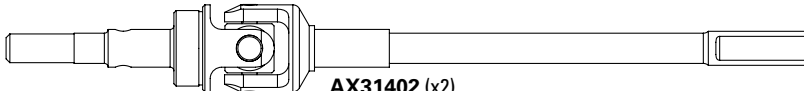
AX30146 (x6)
Shock shaft, 3 x 50mm
Kolbenstange, 3 x 50 mm
Bras d'amortisseur, 3 x 50 mm
Albero ammortizzatore, 3 x 50 mm



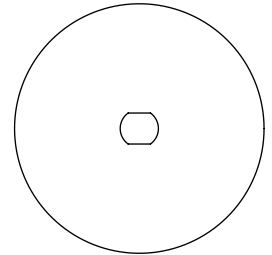
AX31539 (x1)
Slipper drive gear shaft
Gleittriebelschwelle
Arbre d'engrenage d'entraînement du sabot
Albero trasmissione pattino



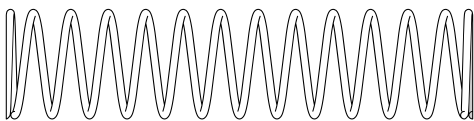
AX31408 (x4)
AR44 Straight axle shaft, 5 x 106mm
AR44 Gerade Achswelle, 5 x 106 mm
Arbre d'essieu droit AR44, 5 x 106 mm
Semiassa lineare AR44, 5 x 106 mm



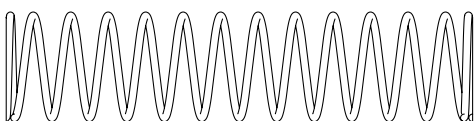
AX31402 (x2)
AR44 UVJ Axle Assembly
AR44 UVJ Vorderachse (montiert)
Ensemble de l'essieu AR44 UVJ
AR44 UVJ montaggio asse



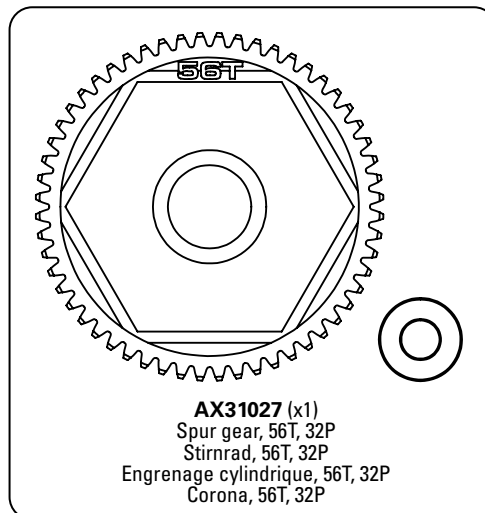
AX31026 (x2)
Slipper plate washer, 33 x 5 x 1.5 mm
Gleitplattenunterlegscheibe, 33 x 5 x 1,5 mm
Rondelle de plaque de sabot, 33 x 5 x 1,5 mm
Rondella piastra pattino, 33 x 5 x 1,5 mm



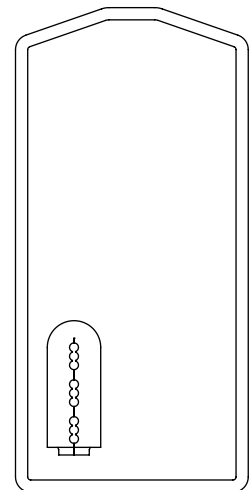
AX31445 (x2)
Spring 12.5x60mm 2.63 lbs/in - Yellow
Feder, 12,5 x 60 mm, 0,5 kg, weiß
Ressort, 12,5 x 60 mm, 0,12 Nm (2,63 lb-po), blanc
Molla, 12,5 x 60 mm, 512 gr (2,63 libbre), bianco



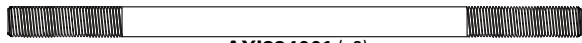
AX31441 (x4)
Spring, 12.5 x 60mm, 1.13 lbs, white
Feder, 12,5 x 60 mm, 0,5 kg, weiß
Ressort, 12,5 x 60 mm, 0,12 Nm (1,13 lb-po), blanc
Molla, 12,5 x 60 mm, 512 gr (1,13 libbre), bianco



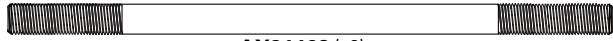
AX31027 (x1)
Spur gear, 56T, 32P
Stirnrad, 56T, 32P
Engrenage cylindrique, 56T, 32P
Corona, 56T, 32P



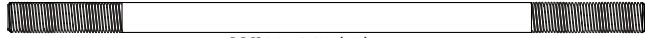
AX31083 (x1)
Radio box seals
Funkbox-Dichtungen
Joints du boîtier de radio
Guarnizioni vano radiocomando



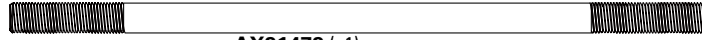
AXI234001 (x2)
M4 x 75mm Steel Links
M4 x 76 mm Stahlverbindungen
Liaisons en acier M4 x 76 mm
Collegamenti in acciaio M4 x 76 mm



AX31468 (x2)
M4x80mm Steel Turnbuckle
M4 x 84 mm Stahlverbindungen
Liaisons en acier M4 x 84 mm
Collegamenti in acciaio M4 x 84 mm



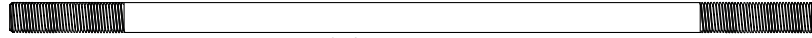
AXI234002 (x2)
M4 x 84mm Steel Links
M4 x 84 mm Stahlverbindungen
Liaisons en acier M4 x 84 mm
Collegamenti in acciaio M4 x 84 mm



AX31473 (x1)
M4x92mm Steel Turnbuckle
M4 x 92 mm Stahl-Spannschraube
Ridoir en acier M4 x 92 mm
Tenditore in acciaio M4 x 92 mm



AX31469 (x2)
M4x103mm Steel Turnbuckle
M4 x 103mm Stahl-Spannschraube
Ridoir en acier M4 x 103 mm
Tenditore in acciaio M4 x 103 mm



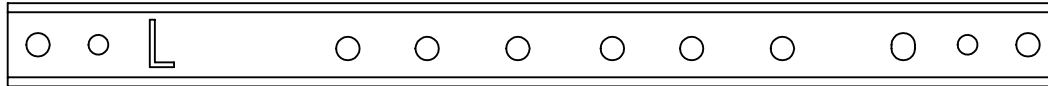
AX31558 (x2)
M4x106mm Steel Turnbuckle
M4 x 106mm Stahl-Spannschraube
Ridoir en acier M4 x 106 mm
Tenditore in acciaio M4 x 106 mm



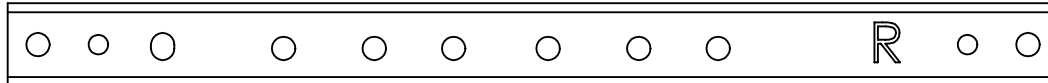
AX31557 (x2)
M4x117mm Steel Turnbuckle
M4 x 117mm Stahl-Spannschraube
Ridoir en acier M4 x 117 mm
Tenditore in acciaio M4 x 117 mm



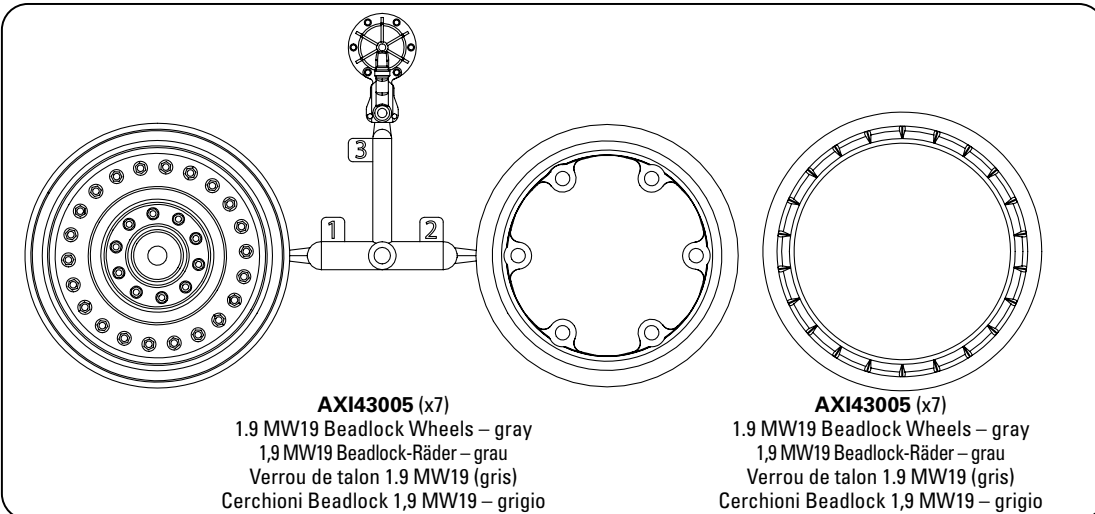
AX31467 (x1)
M4x128mm Steel Turnbuckle
M4 x 128mm Stahl-Spannschraube
Ridoir en acier M4 x 128 mm
Tenditore in acciaio M4 x 128 mm



AXI231004 (x1)
SCX10 2 Frame Extension-RIGHT
SCX10 2 Rahmenverlängerung – RECHTS
Rallonge du châssis SCX10 2-DROITE
Estensione telaio SCX10 2, destra



AXI231004 (x1)
SCX10 2 Frame Extension-LEFT
SCX10 2 Rahmenverlängerung – LINKS
Rallonge du châssis SCX10 2-GAUCHE
Estensione telaio SCX10 2, sinistra

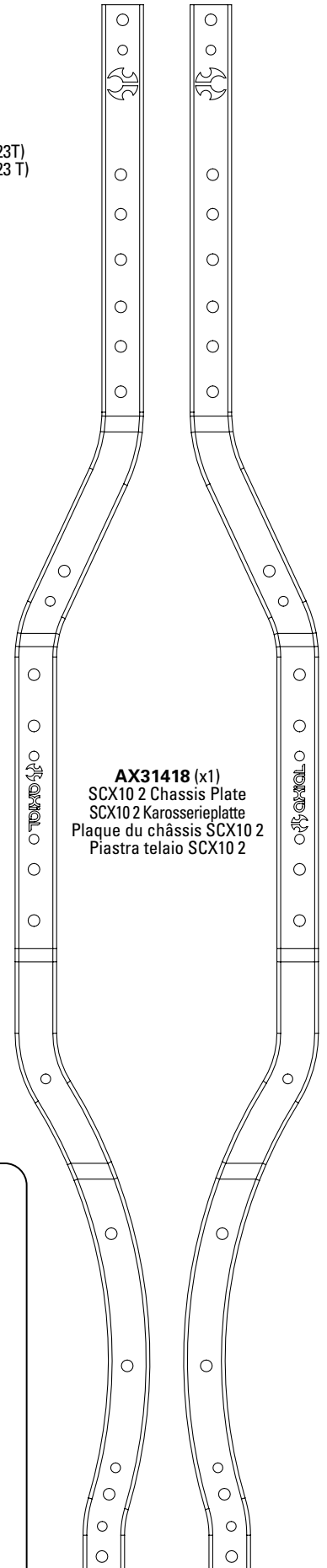


AXI43005 (x7)
1.9 MW19 Beadlock Wheels – gray
1,9 MW19 Beadlock-Räder – grau
Verrou de talon 1.9 MW19 (gris)
Cerchioni Beadlock 1,9 MW19 – grigio

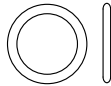
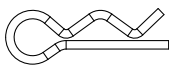
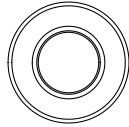
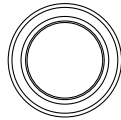
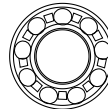
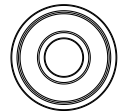
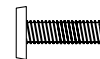
AXI43005 (x7)
1.9 MW19 Beadlock Wheels – gray
1,9 MW19 Beadlock-Räder – grau
Verrou de talon 1.9 MW19 (gris)
Cerchioni Beadlock 1,9 MW19 – grigio



AXI231007 (x1)
Metal Servo Horn (23T)
Metallgetriebehorn (23T)
Renvoi du servo métallique (23T)
Servo squadretta in metallo (23 T)



AXI31418 (x1)
SCX10 2 Chassis Plate
SCX10 2 Karosserieplatte
Plaque du châssis SCX10 2
Piastra telaio SCX10 2

**AXA1392** (x12)E2 e-clip
E2 E-Clip
E-clip E2
E-clip E2**AXA1179** (x12)O-Ring 2.5x1.5mm
O-Ring 2,5 x 1,5 mm
Joint torique 2,5 x 1,5 mm
O-Ring 2.5 x 1.5 mm**AXA1201** (x8)O-Ring 3x2mm
O-Ring 3x2 mm
Joint torique 3 x 2 mm
O-Ring 3 x 2 mm**AXA1163** (x6)O-Ring 7x1mm
O-Ring 7x 1 mm
Joint torique 7 x 1 mm
O-Ring 7 x 1 mm**AX30162** (x1)Pin 1.5x8mm
Stift 1,5 x 8 mm
Goupille 1,5 x 8 mm
Perno 1,5 x 8 mm**AX30163** (x6)Pin 2x10mm
Stift 2 x 10 mm
Goupille 2 x 10 mm
Perno 2 x 10 mm**AX31028** (x6)Pin 2x11mm
Stift 2 x 11 mm
Goupille 2 x 11 mm
Perno 2 x 11 mm**AX30190** (x1)Shaft 5 x 18
Stift 5 x 18
Goupille he 5x 18**AX31374** (x8)3mm Body Clip
3mm Gehäuseklemme
Clip de carrosserie 3 mm
Clip carrozzeria 3 mm**AXA1059** (x2)6mm Body Clip
6 mm Gehäuseklemme
Clip de carrosserie 6 mm
Clip carrozzeria 6mm**AXA1041** (x4)M2.5 Nylon Lock Nut
M2.5 Nylon-Feststellmutter
Contre-écrou en nylon M2.5
Controdado in nylon M2.5**AXA1053** (x2)M3 Nylon Lock Nut
M3 Nylon-Feststellmutter
Contre-écrou en nylon M3
Controdado in nylon M3**AXA1045** (x1)M4 Nylon Lock Nut
M4 Nylon-Feststellmutter
Contre-écrou en nylon M4
Controdado in nylon M4**AX31250** (x6)M4 Serrated Nylon Lock Nut (Black)M4
Feststellflanshmutter (schwarz)
Contre-écrou en nylon strié (noir) M4
Controdado dentato nylon (nero) M4**AXA1218** (x4)Bearing 5x10x4mm
Lager 5 x 10 x 4 mm
Roulement 5 x 10 x 4 mm
Cuscinetto 5 x 10 x 4 mm**AXA1221** (x12)Bearing 5x11x4mm
Lager 5 x 11 x 4 mm
Roulement 5 x 11 x 4 mm
Cuscinetto 5 x 11 x 4 mm**AXA1225** (x2)Bearing 8x16x5mm
Lager 8 x 16 x 5 mm
Roulement 8 x 16 x 5 mm
Cuscinetto 8 x 16 x 5 mm**AXA1230** (x2)Bearing 10x15x4mm
Lager 10 x 15 x 4 mm
Roulement 10 x 15 x 4 mm
Cuscinetto 10 x 15 x 4 mm**AX31406** (x6)Bearing 7x14x3.5mm
Lager 7 x 14 x 3.5 mm
Roulement 7 x 14 x 3.5 mm
Cuscinetto 7 x 14 x 3.5 mm**AX31407** (x4)Bearing 5x14x5mm
Lager 5 x 14 x 5 mm
Roulement 5 x 14 x 5 mm
Cuscinetto 5 x 14 x 5 mm**AXA180** (x6)M3x3mm Set Screw
M3 x 3 mm Schraubensatz
Vis de fixation M3 x 3 mm
Vite di arresto M3 x 3mm**AXA291** (x1)M4x4mm Set Screw
M4 x 4 mm Schraubensatz
Vis de fixation M4 x 4 mm
Vite di arresto M4 x 4mm**AXA0286** (x8)Screw Shaft M4x2.5x13mm
Gewindeschaft M4 x 2,5 x 13 mm
Tige de vis M4 x 2,5 x 13 mm
Albero filettato M4 x 2,5 x 13 mm**AXA0109** (x6)M3x10mm Oversized Flat Hex Socket
M3 x 10 mm übergroßer Sechskant-Flachkopf
Douille à six pans à tête plate surdimensionnée M3 x 10 mm
Viti oversize a testa piana con esagono incassato M3 x 10 mm**AXA013** (x17)M2x6mm Hex Socket Cap Head
M2 x 6 mm Sechskant-Inbusschraube
Douille à six pans d'assemblage creuse M2 x 6 mm
Viti a testa cilindrica con esagono incassato M2 x 6 mm**AXA015** (x4)M2x10mm Hex Socket Cap Head
M2 x 10 mm Sechskant-Inbusschraube
Douille à six pans d'assemblage creuse M2 x 10 mm
Viti a testa cilindrica con esagono incassato M2 x 10 mm**AXA0023** (x2)M2.6x8mm Hex Socket Cap Head
M2.6 x 8 mm Sechskant-Inbusschraube
Douille à six pans d'assemblage creuse M2.6 x 8 mm
Viti a testa cilindrica con esagono incassato M2.6 x 8 mm**AX31399** (x12)M2.6x18mm Hex Socket Cap Head
M2.6 x 18 mm Sechskant-Inbusschraube
Douille à six pans d'assemblage creuse M2.6 x 18 mm
Viti a testa cilindrica con esagono incassato M2.6 x 18 mm



AXA435 (x42)
M3x10mm Button Head Tapping
M3 x 10 mm Rundkopf-Blechschaube
M3 x 10 mm Tête bombée taraudeuse
M3 x 10 mm Viti autofilettanti a testa tonda



AXA440 (x4)
M3x25mm Button Head Tapping
M3 x 25 mm Rundkopf-Blechschaube
M3 x 25 mm Tête bombée taraudeuse
M3 x 25 mm Viti autofilettanti a testa tonda



AX31403 (x6)
Shoulder Screw M3x4.5x10mm
Schulter schraube M3 x 4,5 x 10 mm
Vis à épaulement M3 x 4,5 x 10 mm
Viti a perno M3 x 4,5 x 10 mm



AXA120 (x1)
M3x25mm Hex Socket Button Head
M3 x 25 mm Sechskant-Rundkopf
Douille à six pans à tête bombée M3 x 25 mm
Viti a testa tonda con esagono incassato M3 x 25 mm



AX31280 (x11)
M2.6x6mm Hex Socket Button Head
M2,6 x 6 mm Sechskant-Rundkopf
Douille à six pans à tête bombée M2,6 x 6 mm
Viti a testa tonda con esagono incassato M2,6 x 6mm



AX31119 (x1)
M3x35mm Hex Socket Button Head
M3 x 35 mm Sechskant-Rundkopf
Douille à six pans à tête bombée M3 x 35 mm
Viti a testa tonda con esagono incassato M3 x 35 mm



AX31373 (x5)
M2.6x8mm Hex Socket Button Head
M2,6 x 8 mm Sechskant-Rundkopf
Douille à six pans à tête bombée M2,6 x 8 mm
Viti a testa tonda con esagono incassato M2,6 x 8 mm



AXA0055 (x2)
M2.6x12mm Hex Socket Flat Head
M2,6 x 12 mm Sechskant-Flachkopf
Douille à six pans à tête plate M2,6 x 12 mm
Viti a testa piana con esagono incassato M2.6 x12 mm



AX31538 (x8)
M2.6x10mm Hex Socket Button Head
M2,6 x 10 mm Sechskant-Rundkopf
Douille à six pans à tête bombée M2,6 x 10 mm
Viti a testa tonda con esagono incassato M,2.6 x 10 mm



AXA144 (x8)
M3x8mm Hex Socket Flat Head
M3 x 8 mm Sechskant-Flachkopf
Douille à six pans à tête plate M3 x 8 mm
Viti a testa piana con esagono incassato M3 x 8 mm



AX31195 (x2)
M2.6x12mm Hex Socket Button Head
M2,6 x 12 mm Sechskant-Rundkopf
Douille à six pans à tête bombée M2,6 x 12 mm
Viti a testa tonda con esagono incassato M2,6 x 12 mm



AX31120 (x8)
M3x10mm Hex Socket Flat Head
M3 x 10 mm Sechskant-Flachkopf
Douille à six pans à tête plate M3 x 10 mm
Viti a testa piana con esagono incassato M3 x10 mm



AXA0113 (x4)
M3x6mm Hex Socket Button Head
M3 x 6 mm Sechskant-Rundkopf
Douille à six pans à tête bombée M3 x 6 mm
Viti a testa tonda con esagono incassato M3 x6 mm



AXA146 (x23)
M3x12mm Hex Socket Flat Head
M3 x 12 mm Sechskant-Flachkopf
Douille à six pans à tête plate M3 x 12 mm
Viti a testa piana con esagono incassato M3 x 12 mm



AXA114 (x2)
M3x8mm Hex Socket Button Head
M3 x 8 mm Sechskant-Rundkopf
Douille à six pans à tête bombée M3 x 8 mm
Viti a testa tonda con esagono incassato M3 x 8 mm



AXA147 (x4)
M3x15mm Hex Socket Flat Head
M3 x 15 mm Sechskant-Flachkopf
Douille à six pans à tête plate M3 x 15 mm
Viti a testa piana con esagono incassato M3 x 15 mm



AXA115 (x18)
M3x10mm Hex Socket Button Head
M3 x 10 mm Sechskant-Rundkopf
Douille à six pans à tête bombée M3 x 10 mm
Viti a testa tonda con esagono incassato M3 x 10 mm



AXA148 (x4)
M3x18mm Hex Socket Flat Head
M3 x 18 mm Sechskant-Flachkopf
Douille à six pans à tête plate M3 x 18 mm
Viti a testa piana con esagono incassato M3 x 18 mm



AXA116 (x5)
M3x12mm Hex Socket Button Head
M3 x 12 mm Sechskant-Rundkopf
Douille à six pans à tête bombée M3 x 12 mm
Viti a testa tonda con esagono incassato M3 x 12 mm



AXA117 (x29)
M3x15mm Hex Socket Button Head
M3 x 15 mm Sechskant-Rundkopf
Douille à six pans à tête bombée M3 x 15 mm
Viti a testa tonda con esagono incassato M3 x15 mm

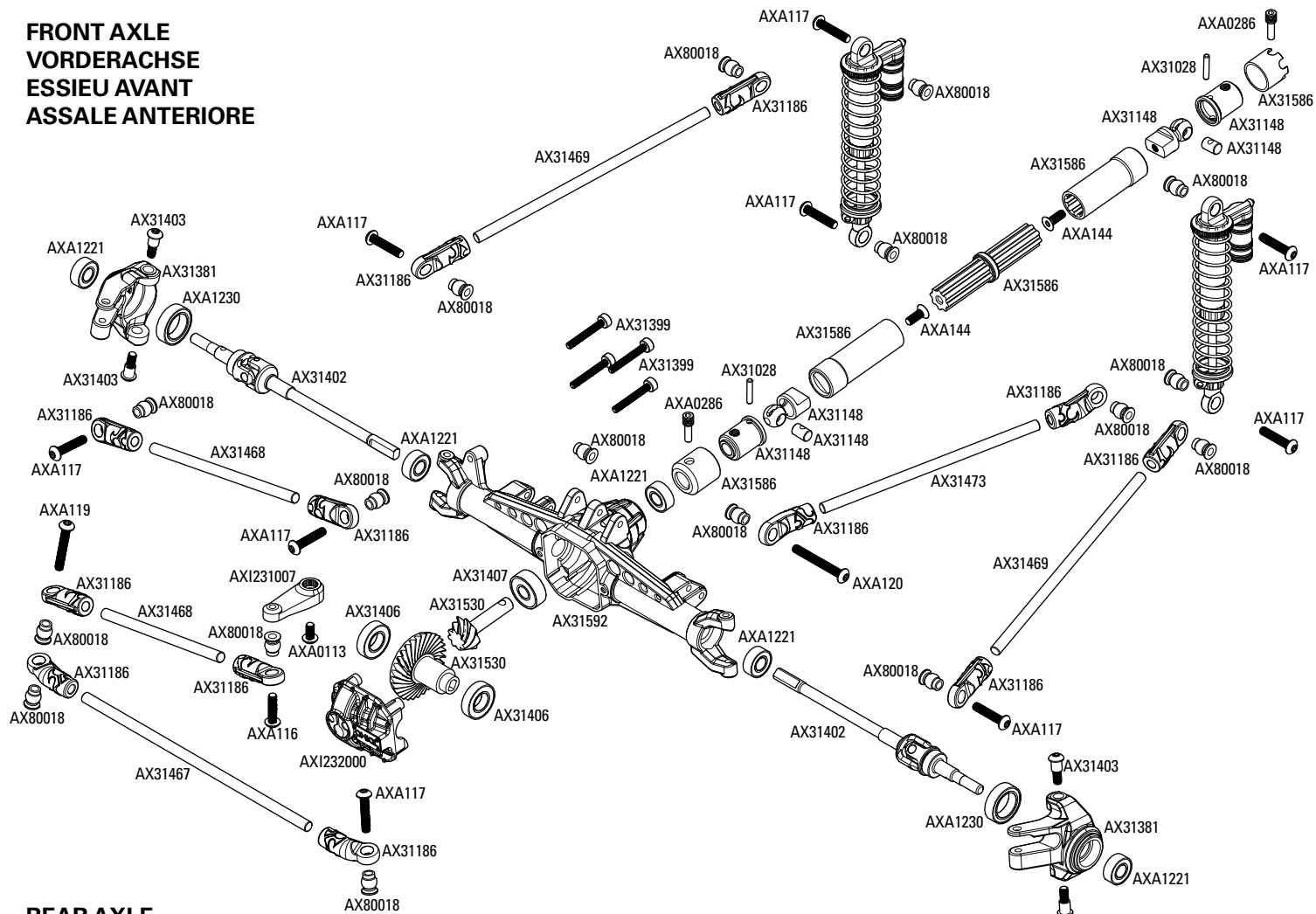


AXA118 (x7)
M3x18mm Hex Socket Button Head
M3 x 18 mm Sechskant-Rundkopf
Douille à six pans à tête bombée M3 x 18 mm
Viti a testa tonda con esagono incassato M3 x 18 mm

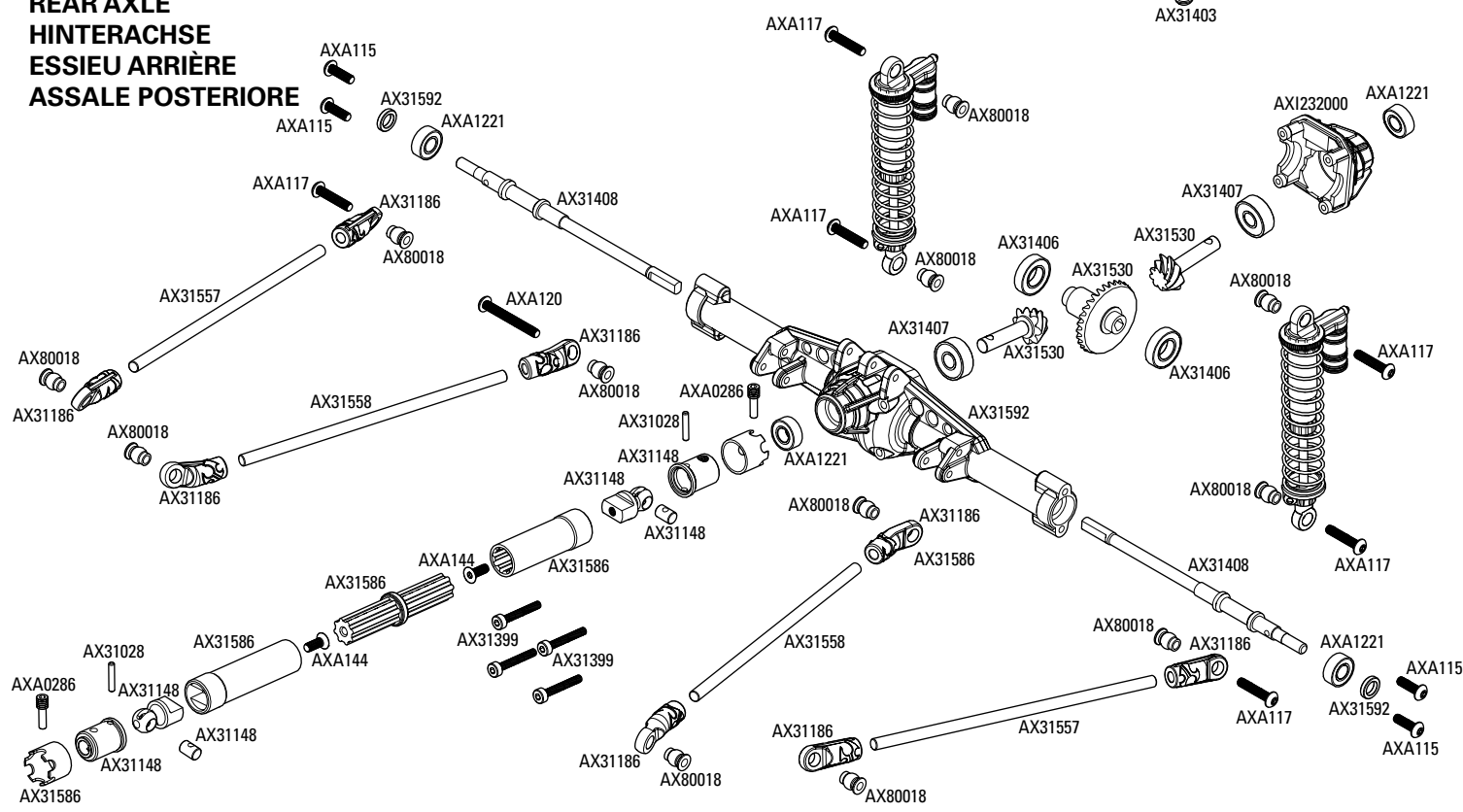


AXA119 (x1)
M3x20mm Hex Socket Button Head
M3 x 20 mm Sechskant-Rundkopf
Douille à six pans à tête bombée M3 x 20 mm
Viti a testa tonda con esagono incassato M3 x20 mm

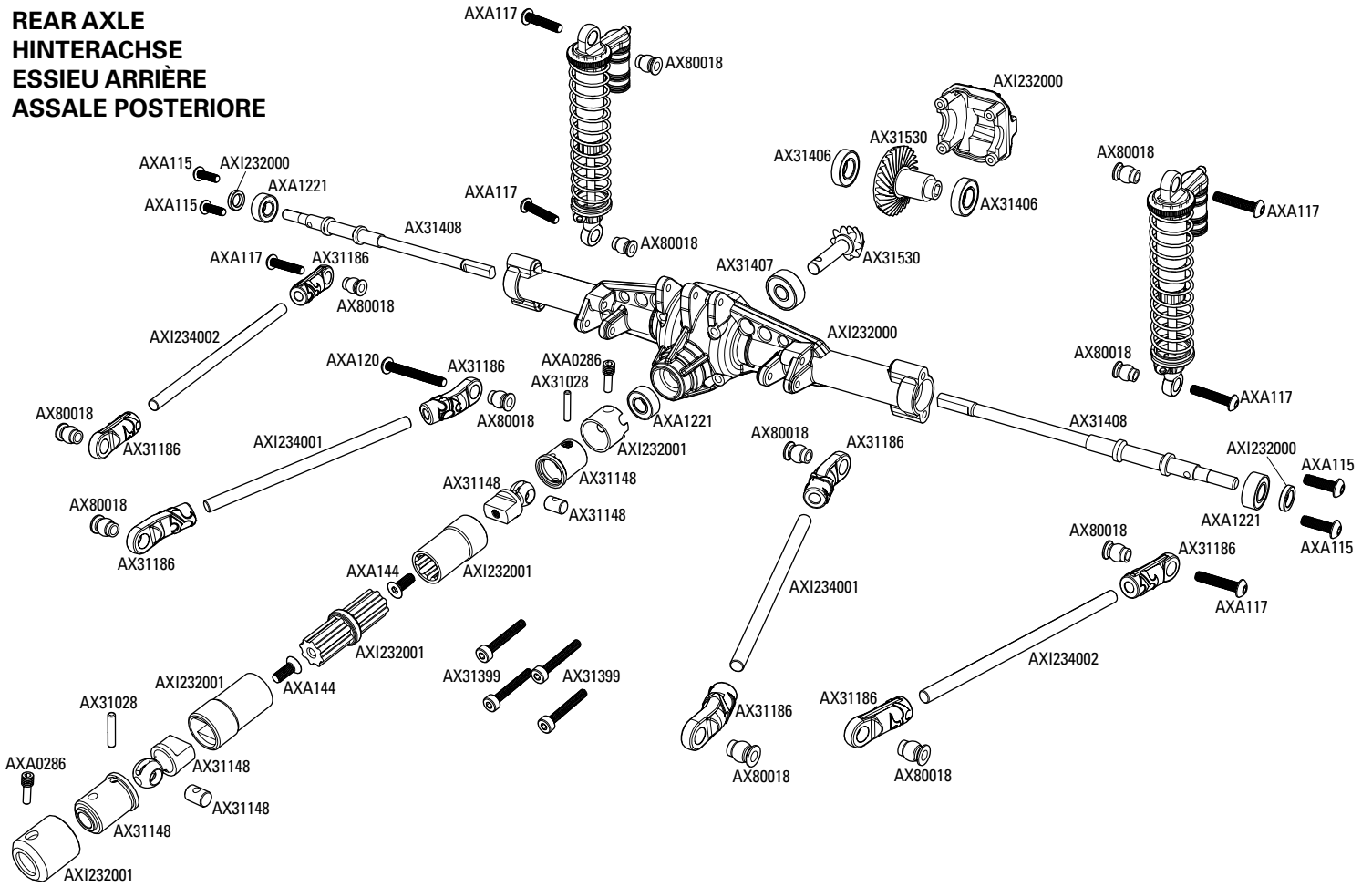
**FRONT AXLE
VORDERACHSE
ESSIEU AVANT
ASSALE ANTERIORE**



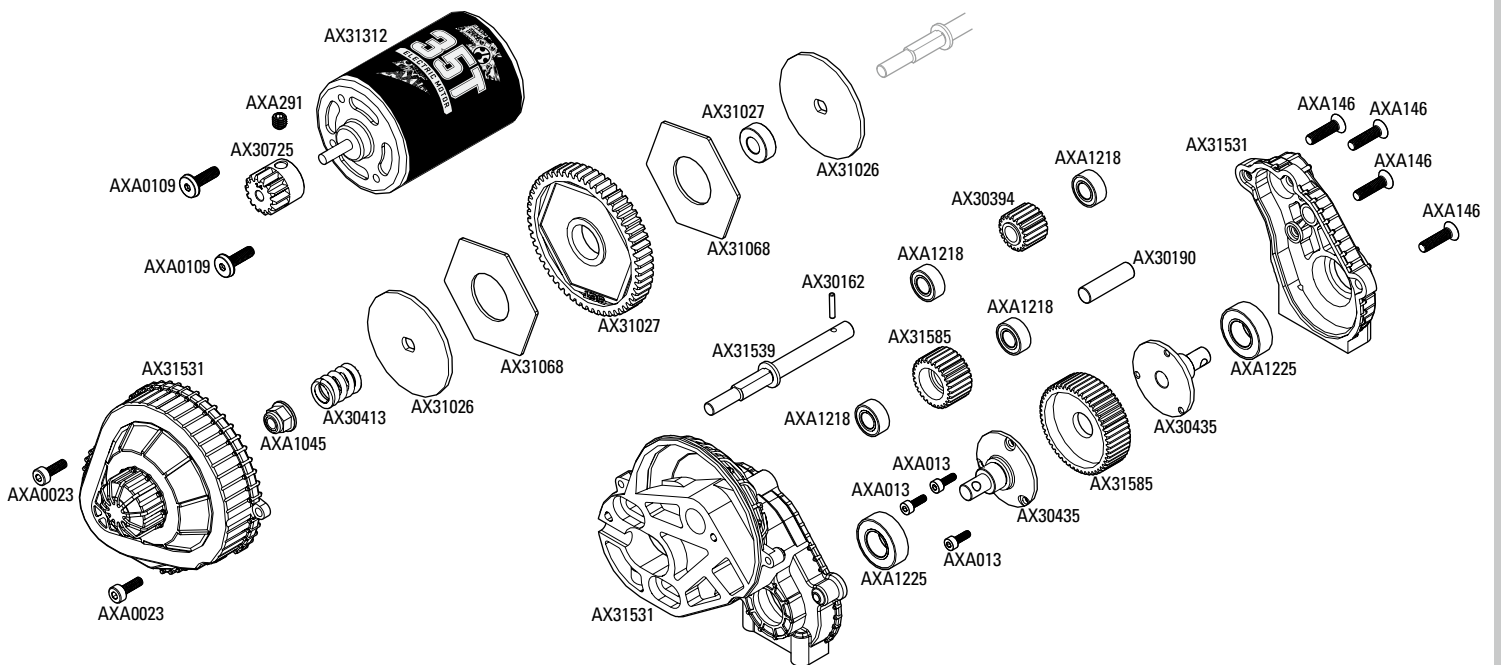
**REAR AXLE
HINTERACHSE
ESSIEU ARRIÈRE
ASSALE POSTERIORE**



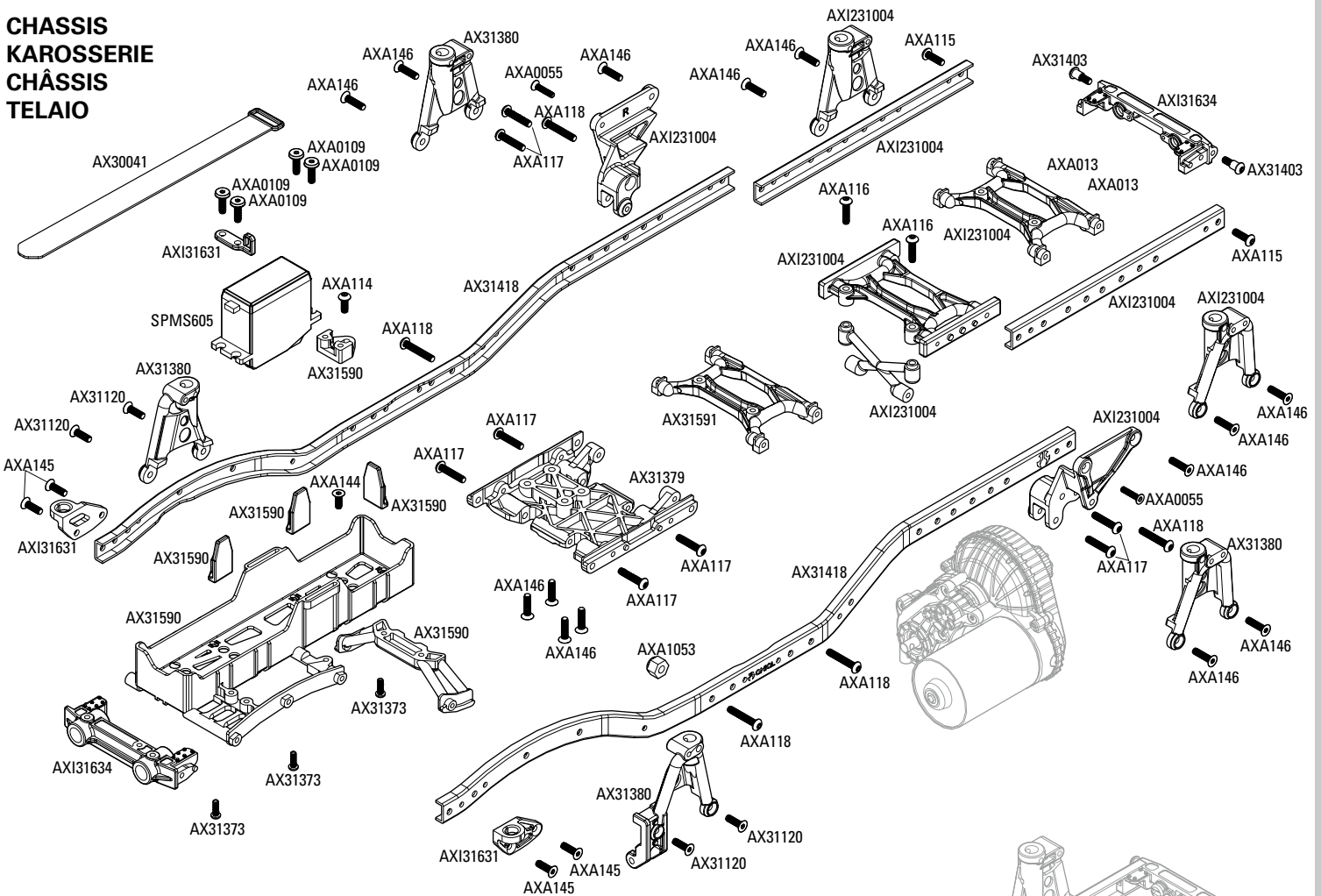
**REAR AXLE
HINTERACHSE
ESSIEU ARRIÈRE
ASSALE POSTERIORE**



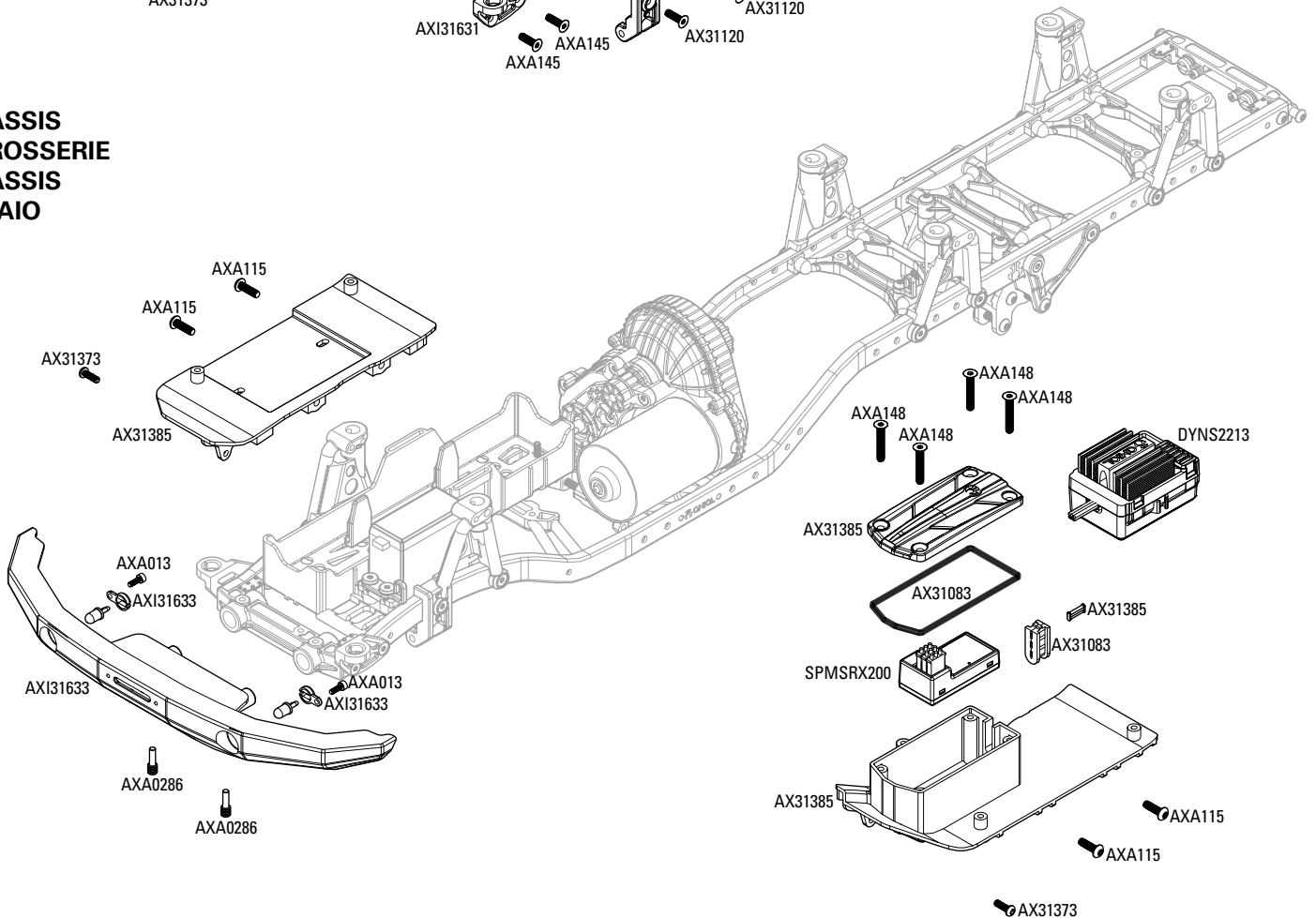
**TRANSMISSION
GETRIEBE
TRANSMISSION
TRASMISSIONE**



**CHASSIS
KAROSSERIE
CHÂSSIS
TELAIO**



**CHASSIS
KAROSSERIE
CHÂSSIS
TELAIO**

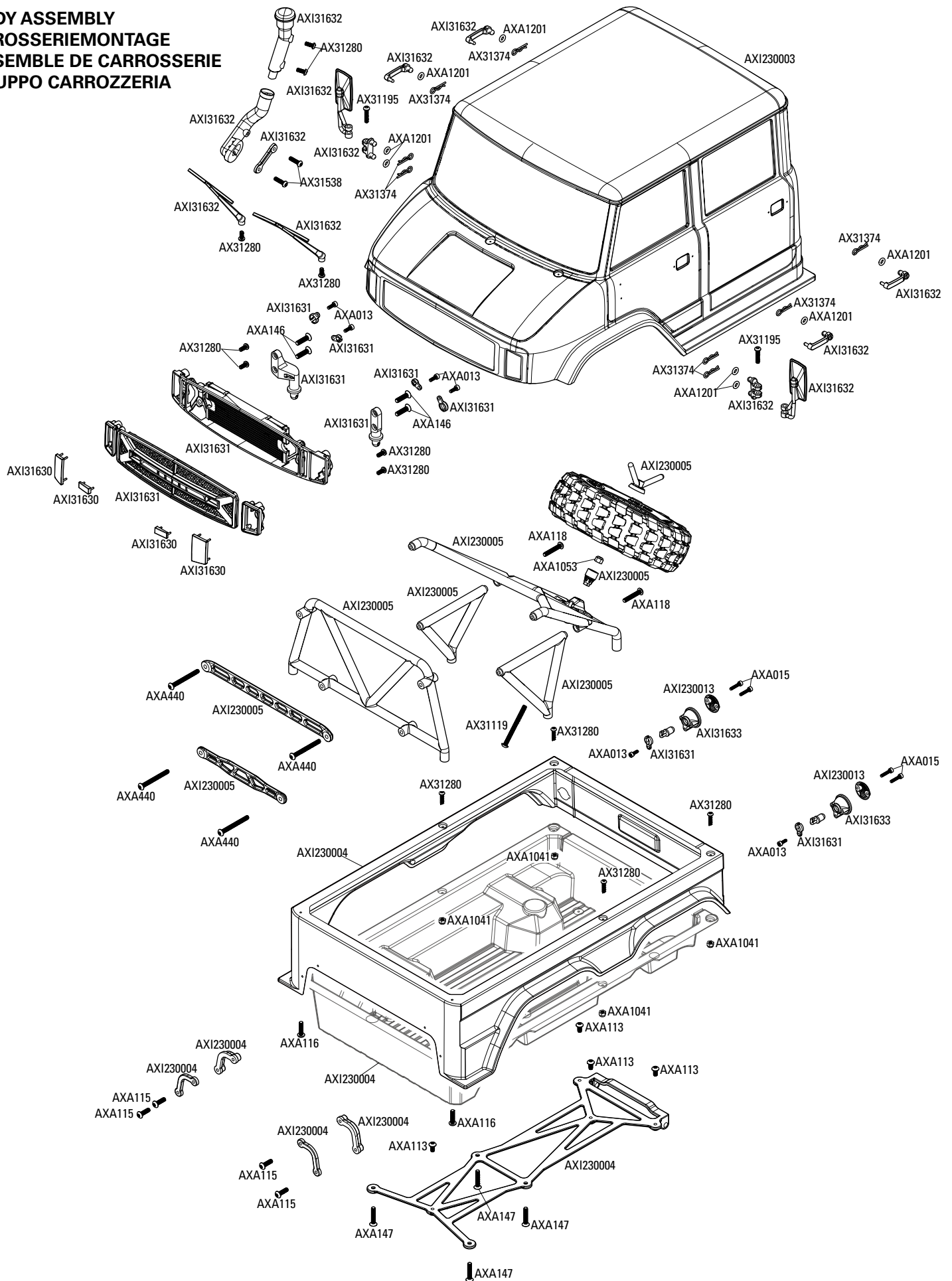


BODY ASSEMBLY

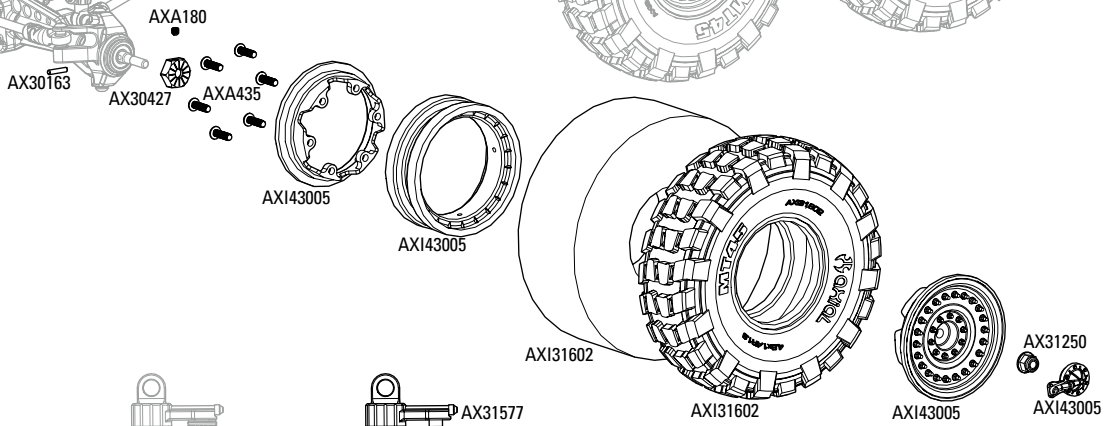
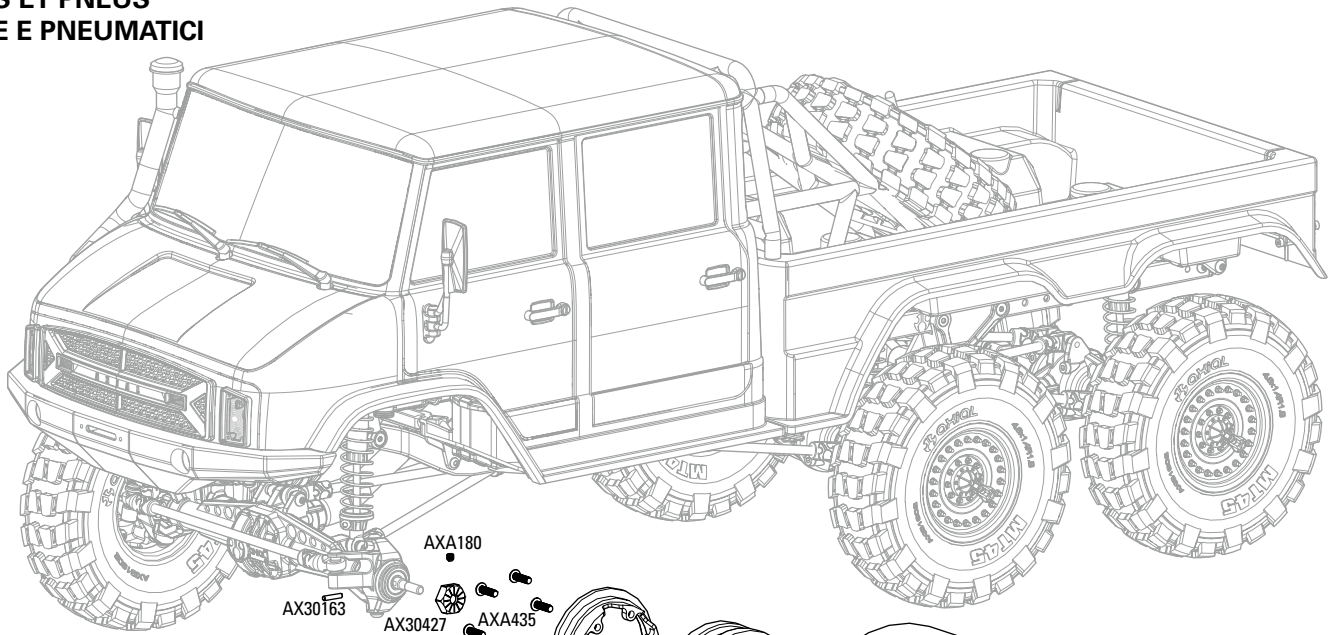
KAROSSERIEMONTAGE

ENSEMBLE DE CARROSSERIE

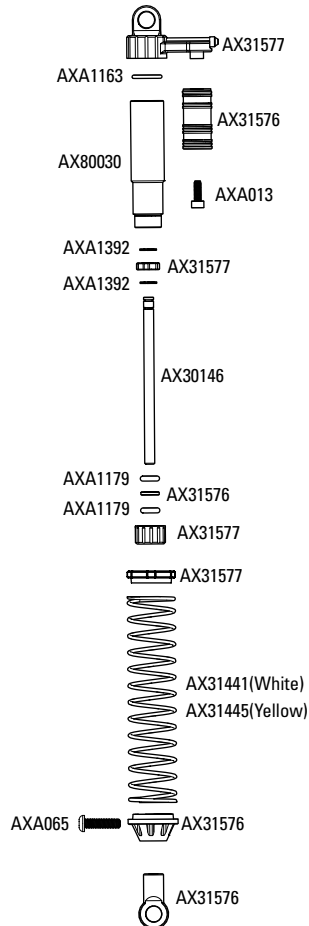
GRUPPO CARROZZERIA



**WHEELS AND TIRES
REIFEN UND RÄDER
ROUES ET PNEUS
RUOTE E PNEUMATICI**



**SHOCK ABSORBERS
STOSSDÄMPFER
AMORTISSEURS
AMMORTIZZATORI**



PARTS LISTS // TEILELISTEN // LISTE DES PIÈCES // ELENCO COMPONENTI

Part #	Description	Beschreibung	Description	Descrizione
AX30041	Hook/Ip Strap 16x200mm	16x200mm Haken und Schlaufe gurt	16x200mm Crochet et boucle sangle	16x200mm Cinghia gancio ciclo continuo
AX30146	Shock Shaft 3x50 (2pcs)	Kolbenstange, 3x50 (2 Stck.)	Bras d'amortisseur 3x50 (2 pièces)	Albero ammortizzatore 3x50 (2 pz)
AX30162	Pin 1.5x8mm (6pcs.)	Stift 1,5 x 8 mm (6 Stck.)	Goupille 1,5x8 mm (6 pièces)	Perno 1,5 x 8 mm (6 pz)
AX30163	Pin 2.0x10mm (6pcs.)	Stift 2,0 x 10 mm (6 Stck.)	Goupille 2,0x10 mm (6 pièces)	Perno 2,0 x 10 mm (6 pz)
AX30190	Shaft 5x18 (2pcs.)	Stange 5 x 18 (2 Stck.)	Arbre 5x18 (2 pièces)	Albero 5x18 (2 pz)
AX30413	Slipper spring 8.5x12 165 lbs/in - Black (2pcs)	Gleitfeder 8,5 x 12 75 kg – schwarz (2 Stck.)	Ressort de sabot 8,5x12, 18,6 Nm (165 lb/po) - Noir (2 pièces)	Molla pattino 8,5x12 190 kg/cm (165 libbre/pollice) - nero (2 pz)
AX30427	Axial Narrow 12mm Aluminum Hub - Black (4pcs)	Schmale Aluminium-Achsnabe, 12 mm – schwarz (4 Stck.)	Moyeu axial étroit en aluminium 12 mm - Noir (4 pièces)	Mozzo assale in alluminio stretto, 12 mm - nero (4 pz)
AX30435	Steel Outdrive Shaft Set (2pcs)	Stahl-Flexwellenset (2 Stck.)	Ensemble d'arbre de transmission extérieur en acier (2 pièces)	Set albero outdrive acciaio (2 pz)
AX30724	Pinion Gear 32P 13T (3mm shaft)	Zahnradgetriebe 32P 13T (3mm Welle)	Engrenage à pignons 32P 13T (arbre de 3 mm)	Pignone 32P 13T (albero 3 mm)
AX31026	Slipper Plate Washer 33x5x1.5mm (2pcs)	Gleitplattenunterlegscheibe 33 x 5 x 1,5mm (2 Stck.)	Rondelle de plaque de sabot 33x5x1,5 mm (2 pièces)	Rondella piastra pattino 33 x 5 x 1,5 mm (2 pz)
AX31027	Spur Gear 32P 56T	Stirnrad 32P 56T	Engrenage cylindrique 32P 56T	Corona 32P 56T
AX31028	Pin 2.0x11mm (6pcs)	Stift 2,0 x 11 mm (6 Stck.)	Goupille 2,0x11 mm (6 pièces)	Perno 2,0 x 11 mm (6 pz)
AX31068	Slipper Pad 32.8x15.2x1mm (2pcs)	Gleitkissen 32,8 x 15,2 x 1 mm (2 Stck.)	Sabot de piston 32,8x15,2x1 mm (2 pièces)	Pattino scorrevole 32,8 x 15,2 x 1 mm (2 pz)
AX31083	Radio Box Seals	Funkbox-Dichtungen	Joints du boîtier de radio	Guarnizioni vano radiocomando
AX31120	M3x10mm Hex Socket Flat Head	M3 x 10 mm Sechskant-Flachkopf	Douille à six pans à tête plate M3 x 10 mm	Viti a testa piana con esagono incassato M3 x 10 mm
AX31148	WB8-HD Driveshaft Coupler Set	WB8-HD-Antriebswellenkupplungssatz	Ensemble de couplage d'arbre de transmission WB8-HD	Set accoppiamento albero trasmissione WB8-HD
AX31186	M4 Rod End Set	M4 Stangenkopfsatz	Ensemble d'embouts de bielle M4	Set teste a snodo M4
AX31195	M2.6x12mm Hex Socket Button Head	M2,6 x 12 mm Sechskant-Rundkopf	Douille à six pans à tête bombée M2,6 x 12 mm	Viti a testa tonda con esagono incassato M2,6 x 12 mm
AX31373	M2.6x8mm Hex Socket Button Head	M2,6 x 8 mm Sechskant-Rundkopf	Douille à six pans à tête bombée M2,6 x 8 mm	Viti a testa tonda con esagono incassato M2,6 x 8 mm
AX31374	3mm Body Clip	3mm Gehäuseklemme	Clip de carrosserie 3 mm	Clip carrozzeria 3 mm
AX31379	SCX10 II Skid Plates	SCX10 II Gleitbretter	Plaques de protection SCX10 II	SCX10 II Piastra trasmissione
AX31380	SCX10 II Shock Hoops	SCX10 II Stoßdämpfer	Anneaux d'amortisseurs SCX10 II	SCX10 II Torre d'urto
AX31381	AR44 Steering Knuckles	AR44 Lenkrollen	Rotules de direction AR44	Fuso a snodo AR44
AX31385	SCX10 II Side Plates	SCX10 II Seitenplatten	Plaques latérales SCX10 II	SCX10 II Piastra lato
AX31399	M2.6x18mm Cap Head (Black) (10pcs)	M 2,6 x 18 mm Inbusschraube (schwarz) (10 Stck.)	Vis d'assemblage creuse M2,6x18 mm (Noir) (10 pièces)	Viti testa cilindrica M2,6 x 18 mm (nero) (10 pz)
AX31402	AR44 UVJ Axle Assembly	AR44 UVJ Vorderachse (montiert)	Ensemble de l'essieu AR44 UVJ	AR44 UVJ montaggio asse
AX31403	Shoulder Screw M3x4.5x10mm	Schulterschraube M3x4.5x10mm	Vis à épaulement M3x4.5x10mm	Viti a perno M3x4.5x10mm
AX31418	SCX10 2 Chassis Plate	SCX10 2 Karosserieplatte	Plaque du châssis SCX10 2	Piastra telaio SCX10 2
AX31441	Spring 12.5x60mm 1.13 lbs/in - (White) (2pcs)	Feder 12,5 x 60 mm 0,5 kg – (weiß) (2 Stck.)	Ressort 12,5x60 mm, 0,12 Nm (1,13 lb-po) - (Blanc) (2 pièces)	Molla 12,5 x 60 mm 1,3 kg/cm (1,13 libbre/pollice) - (bianco) (2 pz)
AX31467	M4x128mm Steel Turnbuckle	M4 x 128 mm Stahl-Spannschraube	Ridoir en acier M4 x 128 mm	Tenditore in acciaio M4 x 128 mm
AX31468	M4x80mm Steel Turnbuckle	M4 x 80 mm Stahl-Spannschraube	Ridoir en acier M4 x 80 mm	Tenditore in acciaio M4 x 80 mm
AX31469	M4x103mm Steel Turnbuckle	M4 x 103 mm Stahl-Spannschraube	Ridoir en acier M4 x 103 mm	Tenditore in acciaio M4 x 103 mm
AX31473	M4x92mm Steel Turnbuckle	M4 x 92 mm Stahl-Spannschraube	Ridoir en acier M4 x 92 mm	Tenditore in acciaio M4 x 92 mm
AX31538	M2.6x10mm Hex Socket Button Head (Black) (10 pcs)	M 2,6 x 10 mm Sechskant-Rundkopf (schwarz) (10 Stck.)	Douille à six pans à tête bombée M2,6x10 mm (Noir) (10 pièces)	Viti testa tonda con esagono incassato M2,6 x 10 mm (nero) (10 pz)
AX31539	Slipper Drive Gear Shaft 5x56.5mm	Gleittriebswelle 5 x 56,5 mm	Arbre d'engrenage d'entraînement du sabot 5x56,5 mm	Albero trasmissione pattino 5 x 56,5 mm
AX31557	M4x117mm Steel Turnbuckle	M4 x 117 mm Stahl-Spannschraube	Ridoir en acier M4 x 117 mm	Tenditore in acciaio M4 x 117 mm
AX31558	M4x106mm Steel Turnbuckle	M4 x 106 mm Stahl-Spannschraube	Ridoir en acier M4 x 106 mm	Tenditore in acciaio M4 x 106 mm
AX31576	Shock Parts	Stoßdämpferteile	Pièces d'amortisseur	Ricambi ammortizzatore
AX31577	Shock Caps	Stoßdämpferkappen	Capuchons d'amortisseurs	Tappi ammortizzatore
AX31585	48P Gear set, 28T, 52T	48P Getriebesatz, 28T, 52T	Ensemble d'engrenage 48P, 28T, 52T	Set ingranaggi 48P, 28T, 52T
AX31586	WB8-HD Standard Driveshaft	WB8-HD Standard-Antriebswelle	Arbre de transmission standard WB8-HD	Albero di trasmissione standard WB8-HD
AX31590	Battery Tray and Servo Mount Set	Akkualterung- und Servohalterungssatz	Ensemble de supports de servo et support de batterie	Set vassoio portabatteria e supporti servo
AX31592	AR44 Solid Axle Housing (Front and Rear)	AR44 solides Achsgehäuse (vorne und hinten)	Carter d'essieu solide AR44 (avant et arrière)	Alloggiamento solido assale AR44 (anteriore e posteriore)
AX80018	Hardware Parts Tree	Hardware-Teilebaum	Arbre des pièces de quincaillerie	Set bulloneria

Part #	Description	Beschreibung	Description	Descrizione
AX80030	61-90 Shock Body Set	61-90 Stoßdämpferset	Ensemble de corps d'amortisseur 61-90	Set scocca ammortizzatore 61-90
AXA0023	M2.6x8mm Cap Head (Black) (10pcs)	M 2,6 x 8 mm Inbusschraube (schwarz) (10 Stck.)	Vis d'assemblage creuse M2,6x8 mm (Noir) (10 pièces)	Viti testa cilindrica M2,6 x 8 mm (nero) (10 pz)
AXA0109	M3x10mm Oversized Flat Hex Socket (Black) (10pcs)	M 3 x 10 mm übergroßer Sechskant-Flachkopf (schwarz) (10 Stck.)	Douille à six pans à tête plate surdimensionnée M3x10 mm (Noir) (10 pièces)	Viti oversize a testa piana con incasso esagonale M3 x 10 mm (nero) (10 pz)
AXA0113	M3x6mm Hex Socket Button Head (Black) (10pcs)	M 3 x 6 mm Sechskant-Rundkopf (schwarz) (10 Stck.)	Douille à six pans à tête bombée M3x6 mm (Noir) (10 pièces)	Viti testa tonda con esagono incassato M3 x 6 mm (nero) (10 pz)
AXA013	M2x6 mm Cap Head (Black) (10pcs)	M 2 x 6 mm Inbusschraube (schwarz) (10 Stck.)	Vis d'assemblage creuse M2x6 mm (Noir) (10 pièces)	Viti testa cilindrica M2 x 6 mm (nero) (10 pz)
AXA0286	Screw Shaft M4x2.5x12mm (6pcs)	Gewindeschaft M 4 x 2,5 x 12 mm (6 Stck.)	Tige de vis M4x2,5x12 mm (6 pièces)	Albero filettato M4 x 2,5 x 12 mm (6 pz)
AXA1045	M4 Nylon Lock Nut (Black) (10pcs)	M4 Nylon-Feststellmutter (schwarz) (10 Stck.)	Contre-écrou en nylon M4 (Noir) (10 pièces)	Controdado nylon M4 (nero) (10 pz)
AXA1070	Washer 3x6x0.5 (10pcs)	Unterlegscheibe 3 x 6 x 0,5 (10 Stck.)	Rondelle 3x6x0,5 (10 pièces)	Rondella 3 x 6 x 0,5 (10 pz)
AXA114	M3x8mm Hex Socket Button Head (Black) (10pcs)	M 3 x 8 mm Sechskant-Rundkopf (schwarz) (10 Stck.)	Douille à six pans à tête bombée M3x8 mm (Noir) (10 pièces)	Viti testa tonda con esagono incassato M3 x 8 mm (nero) (10 pz)
AXA115	M3x10mm Hex Socket Button Head (Black) (10pcs)	M 3 x 10 mm Sechskant-Rundkopf (schwarz) (10 Stck.)	Douille à six pans à tête bombée M3x10 mm (Noir) (10 pièces)	Viti testa tonda con esagono incassato M3 x 10 mm (nero) (10 pz)
AXA1163	O-Ring 7x1mm (10pcs)	O-Ring 7 x 1 mm (10 Stck.)	Joint torique 7x1 mm (10 pièces)	O-Ring 7 x 1 mm (10 pz)
AXA117	M3x15mm Hex Socket Button Head (Black) (10pcs)	M 3 x 15 mm Sechskant-Rundkopf (schwarz) (10 Stck.)	Douille à six pans à tête bombée M3x15 mm (Noir) (10 pièces)	Viti testa tonda con esagono incassato M3 x 15 mm (nero) (10 pz)
AXA1179	O-Ring 2.5x1.5mm (10pcs)	O-Ring 2,5 x 1,5 mm (10 Stck.)	Joint torique 2,5x1,5 mm (10 pièces)	O-Ring 2,5 x 1,5 mm (10 pz)
AXA118	M3x18mm Hex Socket Button Head	3 x 18 mm Sechskant-Rundkopf	Douille à six pans à tête bombée M3 x 18 mm	Viti testa tonda con esagono incassato M3 x 18 mm (nero) (10 pz)
AXA119	M3x20mm Hex Socket Button Head (Black) (10pcs)	M 3 x 20 mm Sechskant-Rundkopf (schwarz) (10 Stck.)	Douille à six pans à tête bombée M3x20 mm (Noir) (10 pièces)	Viti testa tonda con esagono incassato M3 x 20 mm (nero) (10 pz)
AXA120	M3x25mm Hex Socket Button Head (Black) (10pcs)	M 3 x 25 mm Sechskant-Rundkopf (schwarz) (10 Stck.)	Douille à six pans à tête bombée M3x25 mm (Noir) (10 pièces)	Viti testa tonda con esagono incassato M3 x 25 mm (nero) (10 pz)
AXA1218	Bearing 5x10x4mm (2pcs)	Lager 5 x 10 x 4 mm (2 Stck.)	Roulement 5x10x4 mm (2 pièces)	Cuscinetto 5 x 10 x 4 mm (2 pz)
AXA1225	Bearing 8x16x5mm (2pcs)	Lager 8 x 16 x 5 mm (2 Stck.)	Roulement 8x16x5 mm (2 pièces)	Cuscinetto 8 x 16 x 5 mm (2 pz)
AXA1230	Bearing 10x15x4mm	Lager 10 x 15 x 4 mm	Roulement 10x15x4 mm	Cuscinetto 10 x 15 x 4 mm
AXA1392	E2 e-clip (10pcs)	E2 E-Clip (10 Stck.)	E-Clip E2 (10 pièces)	E-clip E2 (10 pz)
AXA144	M3x8mm Hex Socket Flat Head (Black) (10pcs)	M 3 x 8 mm Sechskant-Flachkopf (schwarz) (10 Stck.)	Douille à six pans à tête plate M3x8 mm (Noir) (10 pièces)	Viti testa piana con esagono incassato M3 x 8 mm (nero) (10 pz)
AXA146	M3x12mm Hex Socket Flat Head - Black (10pcs)	M 3 x 12 mm Sechskant-Flachkopf (schwarz) (10 Stck.)	Douille à six pans à tête plate M3x12 mm - Noir (10 pièces)	Viti testa piana con esagono incassato M3 x 12 mm (nero) (10 pz)
AXA148	M3x18mm Hex Socket Flat Head (Black) (10pcs)	M 3 x 18 mm Sechskant-Flachkopf (schwarz) (10 Stck.)	Douille à six pans à tête plate M3x18 mm (Noir) (10 pièces)	Viti testa piana con esagono incassato M3 x 18 mm (nero) (10 pz)
AXA1059	6 mm Body Clip	6 mm Gehäuseklemme	Clip de carrosserie 6 mm	Clip carrozzeria 6mm
AXA180	M3x3mm Set Screw (Black) (10pcs)	M 3 x 3 mm Schraubenset (schwarz) (10 Stck.)	Vis de fixation M3x3 mm (Noir) (10 pièces)	Vite di arresto M3 x 3 mm (nero) (10 pz)
AXA291	M4x4mm Set Screw (Black) (6pcs.)	M 4 x 4 mm Schraubenset (schwarz) (6 Stck.)	Vis de fixation M4x4 mm (Noir) (6 pièces)	Vite di arresto M4 x 4 mm (nero) (6 pz)
AXA435	M3x10mm Button Head Tapping	M3x10mm Rundkopf-Blechschrabe	M3x10mm Tête bombée taraudeuse	M3x10mm Viti autofilettanti a testa tonda
AXA440	M3x25mm Button Head Tapping	M3x25mm Rundkopf-Blechschrabe	M3x25mm Tête bombée taraudeuse	M3x25mm Viti autofilettanti a testa tonda
AXI230005	UMG Drop Bed Roll Cage Set	UMG Tiefbett Überrollkäfigsatz	Ensemble de cage de retournement du plateau abaissable UMG	Set scocca di protezione abbassa cassone UMG
AXI231004	SCX10 2 Frame Extension-RIGHT SCX10 2 Frame Extension-LEFT	SCX10 2 Rahmenverlängerung – RECHTS SCX10 2 Rahmenverlängerung – LINKS	Rallonge du châssis SCX10 2-DROITE Rallonge du châssis SCX10 2-GAUCHE	Estensione telaio SCX10 2, destra Estensione telaio SCX10 2, sinistra
AXI231007	AXI231007 Metal Servo Horn (23T)	AXI231007 Metallgetriebehorn (23T)	AXI231007 Renvoi du servo métallique (23T)	AXI231007 Servo squadretta in metallo (23 T)
AXI232000	UMG 6x6 AR44 Axle Housing & Cover Set	UMG 6x6 AR4 Achsgehäuse und Abdeckungssatz	Carter d'essieu et ensemble de caches, UMG 6x6 AR44	Alloggiamento assale e set coperture AR4 UMG 6x6
AXI232001	AXI232001 V2 6x6 Driveshaft Set Short	AXI232001 V2 6x6 Antriebswellensatz kurz	AXI232001 Ensemble d'arbre de transmission court V2 6x6	AXI232001 Set albero di trasmissione V2 6x6, corto
AXI234001	AXI234001 M4 x 76mm Steel Links (2pcs)	AXI234001 M4 x 76 mm Stahlverbindungen (2 Stk)	AXI234001 Liaisons en acier M4 x 76 mm (2 pièces)	AXI234001 Collegamenti in acciaio M4 x 76 mm (2 pz.)
AXI234002	AXI234002 M4 x 84mm Steel Links (2pcs)	AXI234002 M4 x 84 mm Stahlverbindungen (2 Stk)	AXI234002 Liaisons en acier M4 x 84 mm (2 pièces)	AXI234002 Collegamenti in acciaio M4 x 84 mm (2 pz.)
AXI31602	1.9 MT45 Tires R35 Cmpnd (2pcs)	1,9 MT 45 Räder 4,6 Zoll – R35 Compound (2 Stck.)	Pneus MT45 1.9 4,6 po - R35 Compound (2 pièces)	1,9 MT 45 Pneumatici 4.6 pollice – R35 composto (2pz.)
AXI31629	1.9 MW19 Beadlock Wheels – black	1,9 MW19 Beadlock-Räder – schwarz	Verrou de talon 1.9 MW19 (noir)	Cerchioni Beadlock 1,9 MW19 – nero
AXI31630	UMG10 Grille Lens Set (Clear)	UMG10 Kühlergrill-Linsensatz (transparent)	Ensemble de lentilles de calandres UMG10 (clair)	Set lenti griglia (trasparente) UMG10
AXI31631	UMG10 Grille Set	UMG10 Kühlergrillsatz	Ensemble de calandres UMG10	Set griglia UMG10

Part #	Description	Beschreibung	Description	Descrizione
AXI31632	UMG10 Body Details Set	UMG10 Gehäuse-Einzelteilsatz	Ensemble des détails de la carrosserie UMG10	Set elementi carrozzeria UMG10
AXI31633	High Clearance Front Plate Bumper	Stoßfänger mit hohem Spielraum für die Frontplatte	Pare-choc plaque avant avec espacement élevé	Ammortizzatore piastra anteriore con disimpegno elevato
AXI31634	Bumper Mounts and Pivot Mounts	Stoßstangen- und Drehgelenkhalterungen	Supports de pare-choc et supports pivot	Supporti ammortizzatore e supporti girevoli
AXI43005	1.9 MW19 Beadlock Wheels – gray	1,9 MW19 Beadlock-Räder – grau	Verrou de talon 1.9 MW19 (gris)	Cerchioni Beadlock 1,9 MW19 – grigio

ELECTRONICS // ELETTRONIK // COMPOSANTS ÉLECTRONIQUES // ELETTRONICA

Part #	Description	Beschreibung	Description	Descrizione
AX31312	35T Electric Motor	35T Elektromotor	Moteur électrique 35T	Motore elettrico 35T
SPMSTX200	STX2 2CH Radio	STX2 2CH Funk	Radio 2 canaux STX2	Radiocomando STX2 2 canali
SPMSRX200	SRX200 2CH Receiver	SRX200 2CH Empfänger	Récepteur 2 canaux SRX200	Ricevitore SRX200 2 canali
SPMS605	9KG Servo, Waterproof, Metal Gear, 23T	9KG Servo, wasserdicht, Metallgetriebe, 23T	9KG Servo, imperméable à l'eau, équipement métallique, 23T	Servo 9KG, impermeabile, ingranaggio del metallo, 23T
AX31481	AE-5L LED Light Set (2 White, 4 White, 2 Red)	AE-5L LED-Leuchten (2 x weiß, 4 x weiß, 2 x rot)	Ensemble de témoins DEL AE-5L (2 blancs, 4 blancs, 2 rouges)	Set luci LED AE-5L (2 bianche, 4 bianche, 2 rosse)

©2019 Horizon Hobby, LLC. Axial, the Axial logo, SCX10, MT45, STX2, IC3, the Smart Technology logo, and the Horizon Hobby logo are trademarks or registered trademarks of Horizon Hobby, LLC. The Spektrum trademark is used with permission of Bachmann Industries, Inc. All other trademarks, service marks and logos are property of their respective owners.



EXPLORE

facebook.com/axialinc | instagram.com/axialracing | twitter.com/axialrc
youtube.com/axialvideos | flickr.com/axialrc