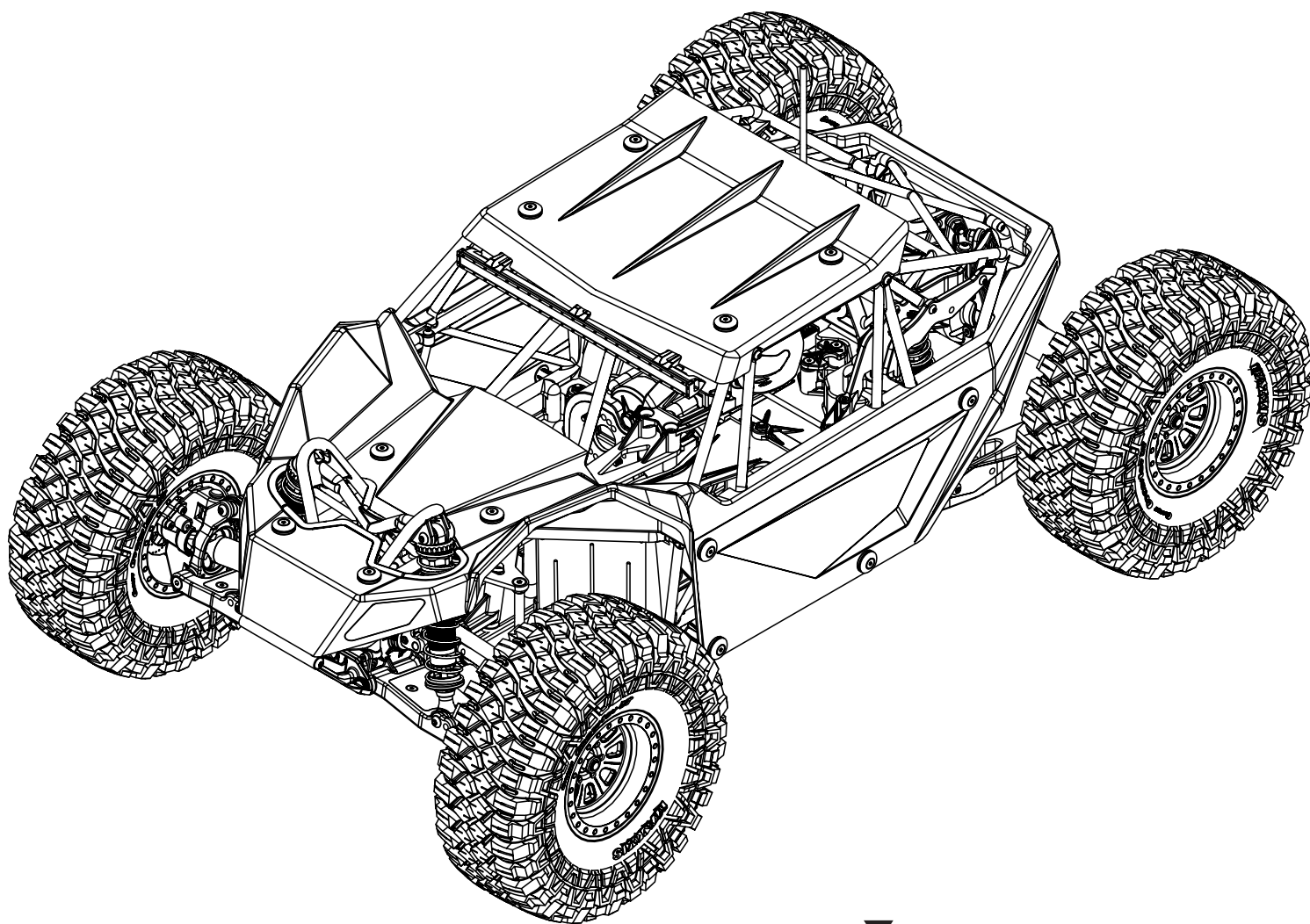




Bind-N-Drive.™ Ready to run, redefined.

ROCK REY®

1/10 BND ROCK RACER



AVC® U.S. Pat. No. 9,320,977

**INSTRUCTION MANUAL
BEDIENUNGSANLEITUNG
MANUEL D'UTILISATION
MANUALE DI ISTRUZIONI**



Before operating this vehicle, please read all printed materials thoroughly.
Horizon Hobby is not responsible for inadvertent errors in this manual.

NOTICE

All instructions, warranties and other collateral documents are subject to change at the sole discretion of Horizon Hobby, LLC. For up-to-date product literature, visit horizonhobby.com and click on the support tab for this product.

MEANING OF SPECIAL LANGUAGE

The following terms are used throughout the product literature to indicate various levels of potential harm when operating this product:

WARNING: Procedures, which if not properly followed, create the probability of property damage, collateral damage, and serious injury OR create a high probability of superficial injury.

CAUTION: Procedures, which if not properly followed, create the probability of physical property damage AND a possibility of serious injury.

NOTICE: Procedures, which if not properly followed, create a possibility of physical property damage AND a little or no possibility of injury.

WARNING: Read the ENTIRE instruction manual to become familiar with the features of the product before operating. Failure to operate the product correctly can result in damage to the product, personal property and cause serious injury.

This is a sophisticated hobby product. It must be operated with caution and common sense and requires some basic mechanical ability. Failure to operate this Product in a safe and responsible manner could result in injury or damage to the product or other property. This product is not intended for use by children without direct adult supervision. Do not use with incompatible components or alter this product in any way outside of the instructions provided by Horizon Hobby, LLC. This manual contains instructions for safety, operation and maintenance. It is essential to read and follow all the instructions and warnings in the manual, prior to assembly, setup or use, in order to operate correctly and avoid damage or serious injury.

WARNING AGAINST COUNTERFEIT PRODUCTS Always purchase from a Horizon Hobby, LLC authorized dealer to ensure authentic high-quality Spektrum product. Horizon Hobby, LLC disclaims all support and warranty with regards, but not limited to, compatibility and performance of counterfeit products or products claiming compatibility with DSM or Spektrum.

Age Recommendation: Not for children under 14 years. This is not a toy.

SAFETY PRECAUTIONS AND WARNINGS

As the user of this product, you are solely responsible for operating in a manner that does not endanger yourself and others or result in damage to the product or property of others.

This model is controlled by a radio signal subject to interference from many sources outside your control. This interference can cause momentary loss of control, so it is advisable to always keep a safe distance in all directions around your model as this margin will help avoid collisions or injury.

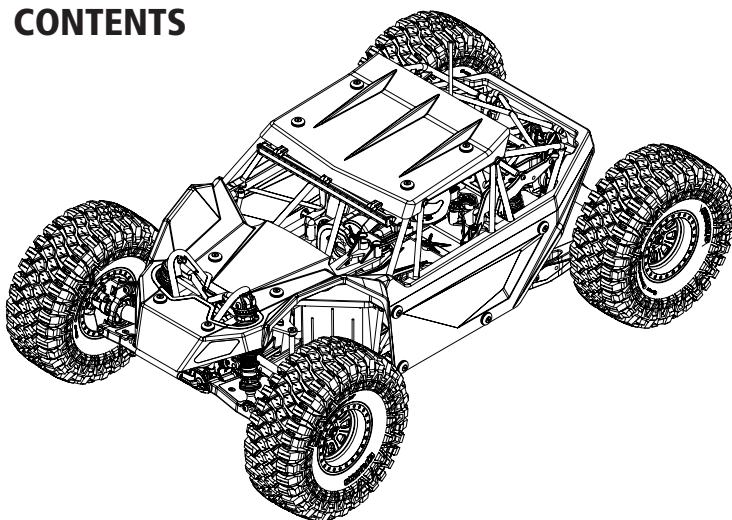
- Never operate your model with low transmitter batteries.
- Always operate your model in open spaces away from full-size vehicles, traffic and people.
- Never operate the model in the street or in populated areas for any reason.
- Carefully follow the directions and warnings for this and any optional support equipment (chargers, rechargeable battery packs, etc.) you use.
- Keep all chemicals, small parts and anything electrical out of the reach of children.

- Never lick or place any portion of the model in your mouth as it could cause serious injury or even death.
- Exercise caution when using tools and sharp instruments.
- Take care during maintenance as some parts may have sharp edges.
- Immediately after using your model, do NOT touch equipment such as the motor, electronic speed control and battery, because they generate high temperatures. You may burn yourself seriously touching them.
- Do not put fingers or any objects inside rotating and moving parts, as this may cause damage or serious injury.
- Always turn on your transmitter before you turn on the receiver in the car. Always turn off the receiver before turning your transmitter off.
- Keep the wheels of the model off the ground when checking the operation of the radio equipment.

TABLE OF CONTENTS

CONTENTS	2
COMPONENTS	2
WATER-RESISTANT VEHICLE WITH WATERPROOF ELECTRONICS	3
GENERAL PRECAUTIONS	3
WET CONDITIONS MAINTENANCE	3
QUICK START	3
CHARGING THE BATTERY	3
INSTALLING THE BATTERY	4
SRS6000 AVC TECHNOLOGY RECEIVER	4
BEFORE RUNNING YOUR VEHICLE	4
RUN TIME	4
PERFORMING A CONTROL DIRECTION TEST	5
DRIVING PRECAUTIONS	5
POWERING ON THE VEHICLE	5
DYNAMITE® FUZE™ 130A SENSORLESS BRUSHLESS ESC	5
SPECIFICATIONS	5
ESC LED STATUS	5
AUDIBLE WARNING TONES	5
ESC CALIBRATION PROCEDURE	5
ESC FUNCTIONS AND MODES	6
ESC PROGRAMMING PROCEDURE	6
DESCRIPTIONS	6
DYNAMITE FUZE 2800KV BRUSHLESS MOTOR	7
PRECAUTIONS	7
GEARING	7
TROUBLESHOOTING GUIDE	7
LIMITED WARRANTY	8
WARRANTY AND SERVICE CONTACT INFORMATION	9
FCC INFORMATION	9
IC INFORMATION	9
COMPLIANCE INFORMATION FOR THE EUROPEAN UNION	9
REPLACEMENT PARTS	31–32
OPTIONAL PARTS	32
EXPLODED VIEWS	33–37

CONTENTS



REGISTER YOUR LOSI PRODUCT ONLINE

Register your vehicle now and be the first to find out about the latest option parts, product updates and more. Click on the Support tab at www.loσι.com and follow the product registration link to stay connected.

COMPONENTS

- Losi® Rock Rey® RTR: 1/10-Scale 4WD Rock Racer (LOS03026)
- Spektrum™ 4-Channel AVC® Surface Receiver (SPMSRS6000)
- Spektrum™ 12KG 23T Waterproof Metal Gear Servo (SPMS612HV)
- Dynamite® Fuze™ 130A Sensorless Brushless Waterproof ESC (DYN4955)
- Dynamite® Fuze™ 550 Brushless Motor 2800Kv 6-Pole (DYN51614)

WATER-RESISTANT VEHICLE WITH WATERPROOF ELECTRONICS

Your new Horizon Hobby vehicle has been designed and built with a combination of waterproof and water-resistant components to allow you to operate the product in many “wet conditions,” including puddles, creeks, wet grass, snow and even rain.

While the entire vehicle is highly water-resistant, it is not completely waterproof and your vehicle should NOT be treated like a submarine. The various electronic components used in the vehicle, such as the Electronic Speed Control (ESC), servo(s) and receiver are waterproof, however, most of the mechanical components are water-resistant and should not be submerged.

Metal parts, including the bearings, hinge pins, screws and nuts, as well as the contacts in the electrical cables, will be susceptible to corrosion if additional maintenance is not performed after running in wet conditions. To maximize the long-term performance of your vehicle and to keep the warranty intact, the procedures described in the “Wet Conditions Maintenance” section below must be performed regularly if you choose to run in wet conditions. If you are not willing to perform the additional care and maintenance required, then you should not operate the vehicle in those conditions.



CAUTION: Failure to exercise caution while using this product and complying with the following precautions could result in product malfunction and/or void the warranty.

GENERAL PRECAUTIONS

- Read through the wet conditions maintenance procedures and make sure that you have all the tools you will need to properly maintain your vehicle.
- Not all batteries can be used in wet conditions. Consult the battery manufacturer before use. Caution should be taken when using Li-Po batteries in wet conditions.
- Most transmitters are not water-resistant. Consult your transmitter’s manual or the manufacturer before operation.
- Never operate your transmitter or vehicle where lightning may be present.
- Do not operate your vehicle where it could come in contact with salt water (ocean water or water on salt-covered roads), contaminated or polluted water. Salt water is very conductive and highly corrosive, so use caution.
- Even minimal water contact can reduce the life of your motor if it has not been certified as water-resistant or waterproof. If the motor becomes excessively wet, apply very light throttle until the water is mostly removed from the motor. Running a wet motor at high speeds may rapidly damage the motor.

- Driving in wet conditions can reduce the life of the motor. The additional resistance of operating in water causes excess strain. Alter the gear ratio by using a smaller pinion or larger spur gear. This will increase torque (and motor life) when running in mud, deeper puddles, or any wet conditions that will increase the load on the motor for an extended period of time.

WET CONDITIONS MAINTENANCE

- Drain any water that has collected in the tires by spinning them at high speed. With the body removed, place the vehicle upside down and pull full throttle for a few short bursts until the water has been removed.



CAUTION: Always keep hands, fingers, tools and any loose or hanging objects away from rotating parts when performing the above drying technique.

- Remove the battery pack(s) and dry the contacts. If you have an air compressor or a can of compressed air, blow out any water that may be inside the recessed connector housing.
- Remove the tires/wheels from the vehicle and gently rinse the mud and dirt off with a garden hose. Avoid rinsing the bearings and transmission.

NOTICE: Never use a pressure washer to clean your vehicle.

- Use an air compressor or a can of compressed air to dry the vehicle and help remove any water that may have gotten into small crevices or corners.
- Spray the bearings, drive train, fasteners and other metal parts with a water-displacing light oil. Do not spray the motor.
- Let the vehicle air dry before you store it. Water (and oil) may continue to drip for a few hours.
- Increase the frequency of disassembly, inspection and lubrication of the following:
 - Front and rear axle hub assembly bearings.
 - All transmission cases, gears and differentials.
 - Motor—clean with an aerosol motor cleaner and re-oil the bushings with lightweight motor oil.

QUICK START

Please read the entire manual to gain a full understanding of the Losi® Rock Rey®, fine-tuning the setup and performing maintenance.

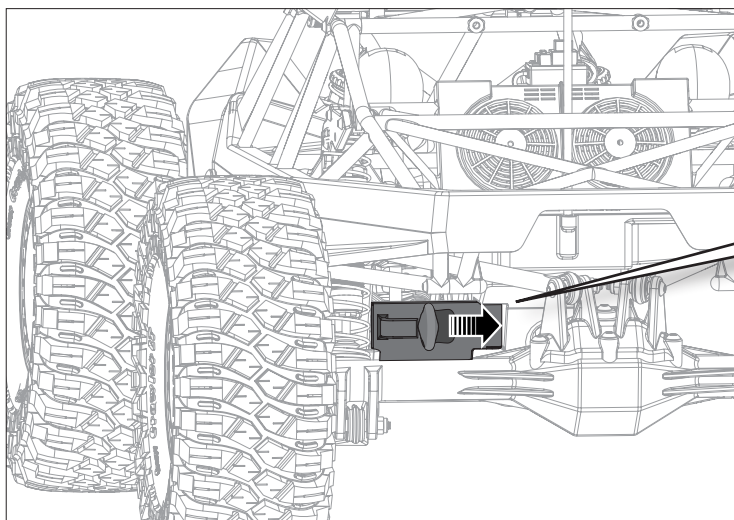
1. Read the safety precautions found in this manual.
2. Charge a battery for the vehicle. Refer to the included charging warnings and instructions for battery charging information.
3. Install the fully charged battery in the vehicle.
4. Power ON the transmitter and then the vehicle. Wait 5 seconds for the ESC to initialize. Always power the transmitter ON before the vehicle and power it OFF after the vehicle has been powered OFF.
5. Check the steering and throttle control directions. Verify that the servos are moving in the correct direction.
6. Drive your vehicle.
7. Perform any necessary maintenance.

CHARGING THE BATTERY

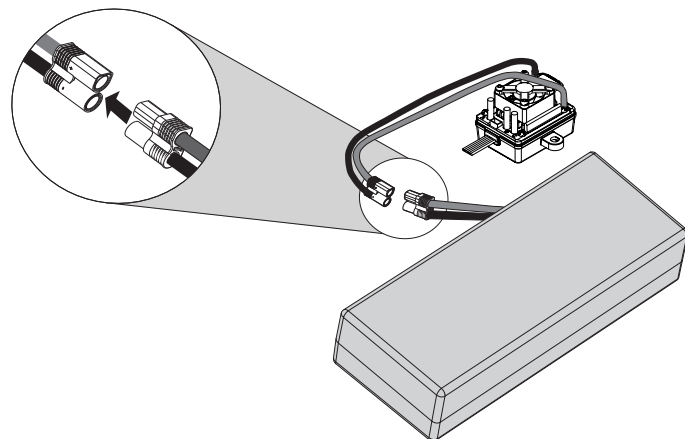
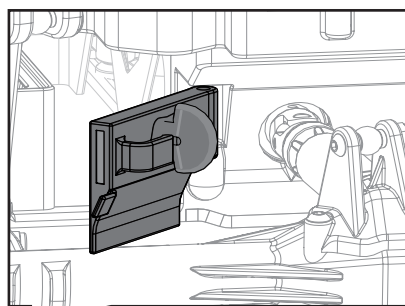
Choose a battery designed to work with the Dynamite® Fuze™ 130A Sensorless BL Waterproof ESC. We recommend the Dynamite® 7.4 5000mAh 2S 30C LiPo: Hardcase with EC3™ connector (DYN9005EC) or Dynamite 11.1 5000mAh 3S 50C LiPo Hardcase with EC3 connector

(DYNB3803EC). Choose a charger designed to charge 2S and/or 3S Li-Po batteries. We recommend the Dynamite® Prophet™ Sport Li-Po 35W AC Battery Charger (DYNB2005CA). Refer to your battery and charger manuals for usage, safety, and charging information.

INSTALLING THE BATTERY



1. Ensure the ESC is powered OFF.
2. Slide the lever to the right to release the battery door.
3. Install the fully charged battery in the vehicle.
4. Connect the battery to the ESC.
5. Close the battery door and slide the battery door lever to the left to secure it.
6. Power ON the transmitter, then the vehicle.



SRS6000 AVC TECHNOLOGY RECEIVER

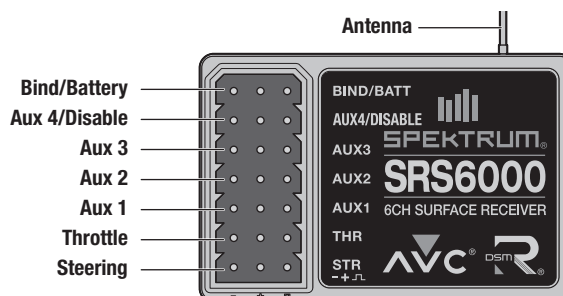
AVC® – ACTIVE VEHICLE CONTROL™

The Spektrum receiver features Active Vehicle Control™ (AVC®) technology that responds similar to traction control in full-scale vehicles. In addition to traction control, AVC technology also increases steering stability during high speed driving or while driving over rough terrain. As you increase the AVC sensitivity, the system increases steering stability and traction control, similar to reducing the amount of steering rate in a computer transmitter. Reducing the sensitivity value increases the amount of steering control from the transmitter. The receiver also enables you to quickly turn AVC on or off if you participate in organized racing.

IMPORTANT: You must use digital servos with the AVC receiver. Do not use analog servos as they will reduce the performance of the system and may cause overheating.

CALIBRATING THE RECEIVER

1. With the vehicle on a flat, level surface, insert the Bind Plug in the BIND port on the receiver.
2. Connect a fully charged battery pack to the ESC.
3. Power on the ESC. The orange LED flashes, indicating the receiver is in bind mode.
4. Center the ST TRIM and TH TRIM on the transmitter.
5. Press and hold the BIND button while powering on the transmitter.
6. Release the BIND button when the orange LED slowly flashes. The transmitter and receiver are linked when the orange LED is solid.
7. Pull the transmitter trigger to Full Throttle.



8. Push the transmitter trigger to Full Brake, then return the trigger to center.
9. Turn the transmitter steering wheel to Full Right.
10. Turn the transmitter steering wheel to Full Left, then return the steering wheel to center. The orange LED flashes once.
11. Remove the Bind Plug, then power off the receiver to save the settings.
12. Power off the transmitter.

BEFORE RUNNING YOUR VEHICLE

1. Check for free suspension movement. All suspension arms and steering components should move freely. Any binds will cause the vehicle to handle poorly.
2. Charge a battery pack. Always charge the battery pack as per the battery and/or charger manufacturers' instructions.
3. Set the transmitter steering trim. Follow the instructions to set the steering trim/subtrim so that the vehicle drives straight with no input to the steering.
4. Perform a Control Direction Test.

RUN TIME

The largest factor in run time is the capacity of the battery pack. A larger mAh rating increases the amount of run time experienced.

The condition of a battery pack is an important factor in both run time and speed. The battery connectors may become hot during driving. Batteries lose performance and capacity over time.

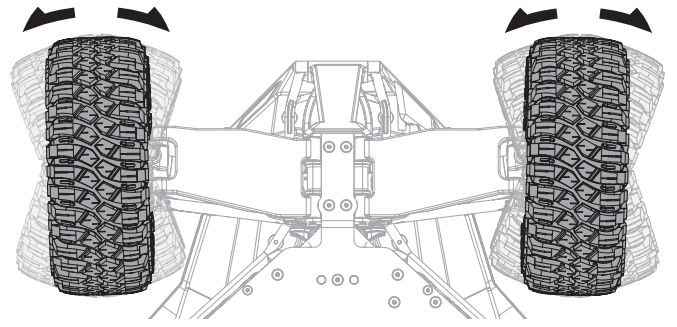
Driving the vehicle from a stop to full speed repeatedly will damage the batteries and electronics over time. Sudden acceleration will also lead to shorter run times.

TO IMPROVE RUN TIMES

- Keep your vehicle clean and well maintained.
- Allow more airflow to the ESC and motor.
- Change the gearing to a lower ratio. A lower ratio decreases the operating temperature of the electronics. Use a smaller pinion gear or larger spur gear to lower the gear ratio.
- Use a battery pack with a higher mAh rating.
- Use the optimum charger to charge battery packs (Visit your local hobby dealer for more information).

PERFORMING A CONTROL DIRECTION TEST

Perform a control test with the vehicle wheels off the ground. If the wheels rotate after the vehicle is powered ON, adjust the throttle trim until they stop. To make the wheels move forward, pull the trigger. To reverse them, wait for the wheels to stop, then push the trigger. When moving forward, the wheels should maintain a straight line without any steering wheel input. If not, adjust the steering trim, so the wheels maintain a straight line without having to turn the steering wheel.



DRIVING PRECAUTIONS

- Maintain sight of the vehicle at all times.
- Routinely inspect the vehicle for loose wheel hardware.
- Routinely inspect the steering assembly for any loose hardware. Driving the vehicle off-road can cause fasteners to loosen over time.
- Do not drive the vehicle in tall grass. Doing so can damage the vehicle or electronics.
- Stop driving the vehicle when you notice a lack of power. Driving the vehicle when the battery is discharged can cause the receiver to power off. If the receiver loses power, you will lose control of the vehicle. Damage due to an over-discharged Li-Po battery is not covered under warranty.



CAUTION: Do not discharge a Li-Po battery below 3V per cell. Batteries discharged to a voltage lower than the lowest approved voltage may become damaged, resulting in loss of performance and potential fire when batteries are charged.

- Do not apply forward or reverse throttle if the vehicle is stuck. Applying throttle in this instance can damage the motor or ESC.
- After driving the vehicle, allow the electronics to cool before driving the vehicle again.

IMPORTANT: Keep wires away from all moving parts.

POWERING ON THE VEHICLE

1. Power on the transmitter.
2. Remove the body from the vehicle.
3. Connect a fully charged battery pack to the ESC.
4. Power on the ESC.

IMPORTANT: The vehicle **MUST** remain on a flat, level surface and motionless for at least 5 seconds.

5. Re-install the body on the vehicle.

DYNAMITE® FUZE™ 130A SENSORLESS BRUSHLESS ESC

SPECIFICATIONS

Type	Sensorless
Constant/Peak	130A/760A
Resistance	0.0004 Ohm
Function	Forward/Brake–Forward/Brake Reverse
Operation	Proportional forward, proportional reverse with braking delay
Input Voltage	7.4V–14.8V
BEC Output	6V/3A
Overload Protection	Thermal
Dimensions (LxWxH)	53.5mm x 36mm x 36mm
Weight	79 g

ESC LED STATUS

- No ESC LEDs will glow when there is no throttle input from the transmitter.
- The red ESC LED glows when there is any throttle input from the transmitter.

AUDIBLE WARNING TONES

1. **Input Voltage:** The ESC checks the input voltage when it is powered ON. If a voltage problem is detected, the ESC continuously sounds 2 beeps with a 1 second pause (xx-xx-xx). Power OFF the ESC and ensure the connections are secure and that the battery power is not too low for safe operation.
2. **Radio Connection:** The ESC checks radio signal input when it is powered ON. If a problem is detected, the ESC continuously sounds 1 beep with a 2 second pause (x--x--x). Power OFF the ESC and ensure the radio system is operating correctly.

For sensorless brushless motors:

1. Connect the ESC terminal A (typically designated by a blue wire) to the motor's terminal A (red wire on a Dynamite® Fuze™ sensorless motor). This may also be changed in Programming Item 12, Motor Rotation, without changing wire connections.
2. Connect the ESC terminal B (typically designated by a yellow wire) to the motor's terminal B (blue wire on a Dynamite® Fuze™ sensorless motor).
3. Connect the ESC terminal C (typically designated by an orange wire) to the motor's terminal C (black wire on a Dynamite® Fuze™ sensorless motor).

NOTICE: Always disconnect the battery from the ESC when you have finished operating your vehicle. The ESC's switch only controls power to the receiver and servos. The ESC will continue to draw current when connected to the battery, resulting in possible damage to the battery through over discharge.

ESC CALIBRATION PROCEDURE

Ensure proper ESC function by calibrating the ESC to your transmitter inputs.

1. Power OFF the ESC.
2. Ensure your transmitter is powered ON, the throttle is not reversed, the throttle trim is neutral and the throttle travel range is at 100%. Disable any special functions such as ABS, etc.
3. Press the SET button while powering ON the ESC. Release the button as soon as the red LED starts to flash.
4. Calibrate the throttle points by pressing the SET button once after each step.
 - Neutral (1 flash)—leave the throttle at rest, untouched
 - Full throttle (2 flashes)—pull the throttle fully back
 - Full brake/reverse (3 flashes)—push the throttle fully forward

Tip: If the motor turns in the wrong direction, reverse the connection of any 2 outside motor wires. The center wire must remain in the center and cannot be moved to another motor tab.

ESC FUNCTIONS AND MODES

The ESC includes programming options so you can adjust the way your vehicle performs. Refer to the included settings table to adjust the ESC for your driving conditions.

ESC PROGRAMMING PROCEDURE

Programming is accomplished using the SET button on the ON/OFF switch or Digital Program Box (DYN3005).

1. Connect a fully charged battery to the ESC.
2. Power ON the ESC using the ESC switch.
3. Hold the SET button for 1 second until the green LED blinks, then release the SET button to enter programming mode.

4. Press and release the SET button as needed to get to the desired menu option (the Green LED will blink corresponding to the menu item number). Programming menu items 1 through 9 are accessible using the SET button on the ESC. Programming menu items 10 and above are only accessible using the optional ESC programming card. Programming of menu items 10 and 11 is only possible after firmware updates to the ESC programming card.
5. When at the desired menu item, hold the SET button for 3 seconds until the red LED blinks.
6. Press the SET button to move among the settings based on how many times the red LED blinks (Refer to the table for more information).
7. Save the setting by holding the SET button for 3 seconds.
8. Power OFF the ESC switch and repeat the instructions above to change other settings.

Tip: If desired, the ESC programming can be returned to default settings by powering ON the ESC and holding the SET button for 5 seconds.

PROGRAMMABLE ITEMS Basic Items	PROGRAMMABLE VALUE									Default Settings
	1	2	3	4	5	6	7	8	9	
1 Running Mode	Forward w/ brake	Forward/Reverse w/ brake	Forward/Reverse							
2 Drag Brake Force	0%	5%	10%	20%	40%	60%	80%	100%		
3 Low Voltage Cutoff	non-protection	2.6V/Cell	2.8V/Cell	3.0V/Cell	3.2V/Cell	3.4V/Cell				
4 Start Mode	Level 1	Level 2	Level 3	Level 4	Level 5	Level 6	Level 7	Level 8	Level 9	

PROGRAMMABLE ITEMS Advanced Items	PROGRAMMABLE VALUE									Default Settings
	1	2	3	4	5	6	7	8	9	
5 Max Brake Force	25%	50%	75%	100%	disable					
6 Max Reverse Force	25%	50%	75%	100%						
7 Initial Brake Force	Drag Brake Force	0%	20%	40%						
8 Neutral Range	6% (Narrow)	9% (Normal)	12% (Wide)							
9 Timing	0.00°	3.75°	7.50°	11.25°	15.00°	18.75°	22.50°	26.25°		
10 Reserved Item										
11 Reserved Item										
12 Motor Rotation	Counterclockwise	Clockwise								
13 Li-Po Cells	Auto Calculate	2 Cells	3 Cells	4 Cells	5 Cells	6 Cells				

DESCRIPTIONS

1. Running Mode

- *Forward Only with Brake*
Intended for competition use, this mode allows only forward and brake controls.
- *Forward/Reverse with Brake*
This mode is the basic all-around mode, allowing forward, reverse and brake controls. To engage reverse while moving forward, apply the brake until the vehicle has come to a complete stop, release brake, then apply the brake again. While braking or in reverse, engaging the throttle will result in the vehicle immediately accelerating forward.

2. Drag Brake Force

Adjusts the amount of brake automatically applied when the throttle is returned to the neutral position. This simulates the engine braking effect of a full-scale vehicle, allowing improved turn-in and your vehicle's general response to controls.

3. Low Voltage Cutoff

This function helps to prevent battery over-discharge. The ESC continuously monitors the battery's voltage. If the voltage falls below the voltage threshold for 2 seconds, the output power shuts off and the red LED flashes twice repeatedly.

The cutoff threshold calculation is based on individual Li-Po cell voltage. For Ni-MH batteries, if the voltage battery pack is higher than 9.0V, it will be treated as a 3-cell Li-Po battery pack; if it is lower than 9.0V, it will be treated as a 2-cell Li-Po battery pack. Example: for a 8.0V Ni-MH battery pack used with a 2.6V/cell threshold, it will be treated as a 2-cell Li-Po battery pack and the low-voltage cut-off threshold will be 5.2V (2.6x2=5.2).

4. Start Mode (Punch)

Sets the initial throttle punch when the car accelerates. Level 1 gives a very soft initial acceleration and level 4 gives a stronger initial acceleration.

5. Max Brake Force

Adjusts the maximum braking force. A higher value provides stronger braking, but can also cause the wheels to lock, resulting in loss of control of the car.

6. Max Reverse Force

This parameter adjusts the maximum power when travelling in reverse.

7. Initial Brake Force (minimum brake)

Adjusts the minimum amount of braking power when the brakes engage. The default value is equal to the drag brake value. A high value can lock the wheels when the brake is used.

8. Neutral Range

Adjusts the throttle sensitivity around the neutral point. A higher value results in the throttle having to be moved more for the vehicle to move forward, backward or brake.

9. Timing

Adjusts the motor drive current timing. More timing gives more performance, but can lower efficiency and cause damage to the motor and/or ESC by overload or overheating.

NOTICE: Always ensure the motor timing is set correctly. Failure to set the motor timing correctly can result in damage to the motor and ESC. Refer to the manufacturer instructions for recommended timing settings.

The Following Programmable Items require the optional Digital ESC Program Box:

10. and 11. Available Items are subject to firmware updates to the ESC and the optional digital program box.

12. Motor Rotation

Allows you to make this change in the ESC so no wires need to be changed between the ESC and the motor.

13. Li-Po Cells

Allows the ESC to automatically detect or manually set the number of cells in your Li-Po battery back.

DYNAMITE® FUZE™ 2800KV BRUSHLESS MOTOR

PRECAUTIONS

- Never touch moving parts.
- Never disassemble while the batteries are installed.
- Always let parts cool before touching.

GEARING

Your vehicle has been equipped with the optimal gearing for the stock platform. It offers an ideal balance between speed, power and efficiency. If you customize your vehicle with optional batteries or motors, you might need to change the pinion or spur gear.

Installing a pinion gear with fewer teeth or a spur gear with more teeth provides more torque but reduced top speed. A pinion gear with more teeth or a spur gear with fewer teeth will reduce torque and increase top speed. Take care when installing larger pinion gears as this can "overgear" the vehicle and overheat the motor and ESC. When testing gearing options, check the temperature of the motor and speed control to ensure you are operating within the appropriate temperature range. If the motor or ESC are too hot, change to a lower pinion gear and/or higher spur gear combination.

TROUBLESHOOTING GUIDE

PROBLEM	POSSIBLE CAUSE	SOLUTION
Vehicle does not operate	Battery not charged or plugged in	Charge battery/plug in
	ESC switch not "On"	Turn on ESC switch
	Transmitter not "On" or low battery	Turn on/replace batteries
Motor runs but wheels do not rotate	Pinion not meshing with spur gear	Adjust pinion/spur mesh
	Pinion spinning on motor shaft	Tighten pinion gear setscrew on motor shaft flat spot
	Transmission gears stripped	Replace transmission gears
	Drive pin broken	Check and replace drive pin
Steering does not work	Servo plug not in receiver properly	Verify the steering servo plug is connected to the receiver steering channel, noting proper polarity
	Servo gears or motor damaged	Replace or repair servo
Will not turn one direction	Servo gears damaged	Replace or repair servo
Motor does not run	Motor wire solder joint is damaged	Resolder the motor wire with the proper equipment
	Motor wire broken	Repair or replace as needed
	ESC damaged	Contact Horizon Hobby Product Support
ESC gets hot	Motor over-gearred	Use smaller pinion or larger spur gear
	Driveline bound up	Check wheels and transmission for binding
Poor run time and/or sluggish acceleration	Battery pack not fully charged	Recharge battery
	Charger not allowing full charge	Try another charger
	Driveline bound up	Check wheels, transmission for binding
Poor range and/or glitching	Transmitter batteries low	Check and replace
	Vehicle battery low	Recharge battery
	Loose plugs or wires	Check all wire connections and plugs

LIMITED WARRANTY

What this Warranty Covers

Horizon Hobby, LLC. (Horizon) warrants to the original purchaser that the product purchased (the "Product") will be free from defects in materials and workmanship at the date of purchase.

What is Not Covered

This warranty is not transferable and does not cover (i) cosmetic damage, (ii) damage due to acts of God, accident, misuse, abuse, negligence, commercial use, or due to improper use, installation, operation or maintenance, (iii) modification of or to any part of the Product, (iv) attempted service by anyone other than a Horizon Hobby authorized service center, (v) Product not purchased from an authorized Horizon dealer, or (vi) Product not compliant with applicable technical regulations or (vii) use that violates any applicable laws, rules, or regulations.

OTHER THAN THE EXPRESS WARRANTY ABOVE, HORIZON MAKES NO OTHER WARRANTY OR REPRESENTATION, AND HEREBY DISCLAIMS ANY AND ALL IMPLIED WARRANTIES, INCLUDING, WITHOUT LIMITATION, THE IMPLIED WARRANTIES OF NON-INFRINGEMENT, MERCHANTABILITY AND FITNESS FOR A PARTICULAR PURPOSE. THE PURCHASER ACKNOWLEDGES THAT THEY ALONE HAVE DETERMINED THAT THE PRODUCT WILL SUITABLY MEET THE REQUIREMENTS OF THE PURCHASER'S INTENDED USE.

Purchaser's Remedy

Horizon's sole obligation and purchaser's sole and exclusive remedy shall be that Horizon will, at its option, either (i) service, or (ii) replace, any Product determined by Horizon to be defective. Horizon reserves the right to inspect any and all Product(s) involved in a warranty claim. Service or replacement decisions are at the sole discretion of Horizon. Proof of purchase is required for all warranty claims. SERVICE OR REPLACEMENT AS PROVIDED UNDER THIS WARRANTY IS THE PURCHASER'S SOLE AND EXCLUSIVE REMEDY.

Limitation of Liability

HORIZON SHALL NOT BE LIABLE FOR SPECIAL, INDIRECT, INCIDENTAL OR CONSEQUENTIAL DAMAGES, LOSS OF PROFITS OR PRODUCTION OR COMMERCIAL LOSS IN ANY WAY, REGARDLESS OF WHETHER SUCH CLAIM IS BASED IN CONTRACT, WARRANTY, TORT, NEGLIGENCE, STRICT LIABILITY OR ANY OTHER THEORY OF LIABILITY, EVEN IF HORIZON HAS BEEN ADVISED OF THE POSSIBILITY OF SUCH DAMAGES. Further, in no event shall the liability of Horizon exceed the individual price of the Product on which liability is asserted. As Horizon has no control over use, setup, final assembly, modification or misuse, no liability shall be assumed nor accepted for any resulting damage or injury. By the act of use, setup or assembly, the user accepts all resulting liability. If you as the purchaser or user are not prepared to accept the liability associated with the use of the Product, purchaser is advised to return the Product immediately in new and unused condition to the place of purchase.

Law

These terms are governed by Illinois law (without regard to conflict of law principals). This warranty gives you specific legal rights, and you may also have other rights which vary from state to state. Horizon reserves the right to change or modify this warranty at any time without notice.

WARRANTY SERVICES

Questions, Assistance, and Services

Your local hobby store and/or place of purchase cannot provide warranty support or service. Once assembly, setup or use of the Product has been started, you must contact your local distributor or Horizon directly. This will enable Horizon to better answer your questions and

service you in the event that you may need any assistance. For questions or assistance, please visit our website at www.horizonhobby.com, submit a Product Support Inquiry, or call the toll free telephone number referenced in the Warranty and Service Contact Information section to speak with a Product Support representative.

Inspection or Services

If this Product needs to be inspected or serviced and is compliant in the country you live and use the Product in, please use the Horizon Online Service Request submission process found on our website or call Horizon to obtain a Return Merchandise Authorization (RMA) number. Pack the Product securely using a shipping carton. Please note that original boxes may be included, but are not designed to withstand the rigors of shipping without additional protection. Ship via a carrier that provides tracking and insurance for lost or damaged parcels, as Horizon is not responsible for merchandise until it arrives and is accepted at our facility. An Online Service Request is available at http://www.horizonhobby.com/content/service-center_render-service-center. If you do not have internet access, please contact Horizon Product Support to obtain a RMA number along with instructions for submitting your product for service. When calling Horizon, you will be asked to provide your complete name, street address, email address and phone number where you can be reached during business hours. When sending product into Horizon, please include your RMA number, a list of the included items, and a brief summary of the problem. A copy of your original sales receipt must be included for warranty consideration. Be sure your name, address, and RMA number are clearly written on the outside of the shipping carton.

NOTICE: Do not ship Li-Po batteries to Horizon. If you have any issue with a Li-Po battery, please contact the appropriate Horizon Product Support office.

Warranty Requirements

For Warranty consideration, you must include your original sales receipt verifying the proof-of-purchase date. Provided warranty conditions have been met, your Product will be serviced or replaced free of charge. Service or replacement decisions are at the sole discretion of Horizon.

Non-Warranty Service

Should your service not be covered by warranty, service will be completed and payment will be required without notification or estimate of the expense unless the expense exceeds 50% of the retail purchase cost. By submitting the item for service you are agreeing to payment of the service without notification. Service estimates are available upon request. You must include this request with your item submitted for service. Non-warranty service estimates will be billed a minimum of ½ hour of labor. In addition you will be billed for return freight. Horizon accepts money orders and cashier's checks, as well as Visa, MasterCard, American Express, and Discover cards. By submitting any item to Horizon for service, you are agreeing to Horizon's Terms and Conditions found on our website http://www.horizonhobby.com/content/service-center_render-service-center.

ATTENTION: Horizon service is limited to Product compliant in the country of use and ownership. If received, a non-compliant Product will not be serviced. Further, the sender will be responsible for arranging return shipment of the un-serviced Product, through a carrier of the sender's choice and at the sender's expense. Horizon will hold non-compliant Product for a period of 60 days from notification, after which it will be discarded.

Warranty and Service Contact Information

Country of Purchase	Horizon Hobby	Contact Information	Address
United States of America	Horizon Service Center (Repairs and Repair Requests)	servicecenter.horizonhobby.com/RequestForm/	1608 Interstate Dr. Champaign, Illinois 61822 USA
	Horizon Product Support (Product Technical Assistance)	productsupport@horizonhobby.com 877-504-0233	
	Sales	websales@horizonhobby.com 800-338-4639	
Germany	Horizon Technischer Service	service@horizonhobby.eu +49 (0) 4121 2655 100	Hanskampring 9 D 22885 Barsbüttel, Germany
	Sales: Horizon Hobby GmbH		



Supplier's Declaration of Conformity

Rock Rey BND: 1/10 4WD Rock Racer LOS03026

This device complies with part 15 of the FCC rules. Operation is subject to the following two conditions: (1) This device may not cause harmful interference, and (2) this device must accept any interference received, including interference that may cause undesired operation.



CAUTION: Changes or modifications not expressly approved by the party responsible for compliance could void the user's authority to operate the equipment.

NOTE: This equipment has been tested and found to comply with the limits for a Class B digital device, pursuant to part 15 of the FCC Rules. These limits are designed to provide reasonable protection against harmful interference in a residential installation. This equipment generates, uses and can radiate radio frequency energy and, if not installed and used in accordance with the instructions, may cause harmful interference to radio communications. However, there is no guarantee that interference will not occur in a particular installation. If this equipment does cause harmful interference to radio or television reception, which can be determined by turning the equipment off and on, the user is encouraged to try to correct the interference by one or more of the following measures:

- Reorient or relocate the receiving antenna.
- Increase the separation between the equipment and receiver.
- Connect the equipment into an outlet on a circuit different from that to which the receiver is connected.
- Consult the dealer or an experienced radio/TV technician for help.

Horizon Hobby, LLC
4105 Fieldstone Rd.
Champaign, IL 61822
Email: compliance@horizonhobby.com
Web: HorizonHobby.com

IC Information

IC ID: CAN ICES-3 (B)/NMB-3(B) This device complies with Industry Canada licence-exempt RSS standard(s). Operation is subject to the following two conditions: (1) this device may not cause interference, (2) this device must accept any interference, including interference that may cause undesired operation of the device.



EU Compliance Statement: Horizon Hobby, LLC hereby declares that this product is in compliance with the essential requirements and other relevant provisions of the RED and EMC Directive.

A copy of the EU Declaration of Conformity is available online at: www.horizonhobby.com/content/support-render-compliance.



Instructions for disposal of WEEE by users in the European Union

This product must not be disposed of with other waste. Instead, it is the user's responsibility to dispose of their waste equipment by handing it over to a designated collections point for the recycling of waste electrical and electronic equipment. The separate collection and recycling of your waste equipment at the time of disposal will help to conserve natural resources and ensure that it is recycled in a manner that protects human health and the environment. For more information about where you can drop off your waste equipment for recycling, please contact your local city office, your household waste disposal service or where you purchased the product.



Replacement Parts // Teileliste // Liste des pièces de rechange // Elenco dei ricambi

Part #	English	Deutsch	Français	Italiano
DYN4955	Fuze 130A Sensorless BL WP ESC: 4WD SCT 1/8	Fuze 130A Sensorlose BL WP ESC: 4WD SCT 1/8	Contrôleur Dynamite Fuze Brushless 130A étanche	ESC Fuze WP BL sensorless 130 A: 4WD SCT 1/8
DYNS1614	Fuze 550 BL 6-Pole Motor 2800kv	Fuze 550 BL 6-poliger Motor 2800kv	Moteur Dynamite Fuze Brushless 550 2800Kv 6 pôles	Motore BL Fuze 550 6 poli 2800 Kv
LOS230013	Body Button Base & Top (22): Baja Rey	Body Button unten und oben (22): Baja Rey	Baja Rey - Vis, rondelles et bouchons (22)	Viti, rondelle e cappucci di protezione (22): Baja Rey
LOS230027	Roll Cage, Sides, L & R: Rock Rey	Überrollbügelteile links und rechts: Baja Rey	Baja Rey - Faces latérales gauche et droite de l'arceau cage	Parti laterali roll cage D&S: Baja Rey
LOS230028	Roll Cage, Roof, Front: Rock Rey	Überrollkäfig, Dach, Vorderseite: Rock Rey	Rock Rey - Cage, toit, avant	Roll cage, tetto, anteriore: Rock Rey
LOS230029	RR Tower Sup, X-Bar, Mud Guards: Rock Rey	RR Tower Sup, X-Balken, Schmutzfänger: Rock Rey	Rock Rey - Tour de suspension arrière, barre X, pare choc	Torretta sospensione posteriore, barra a X, parafanghi: Rock Rey
LOS230030	Body, Painted, Blue: Rock Rey	Karosserie, lackiert, blau: Rock Rey	Rock Rey - Carrosserie, peinte, bleu	Carrozzeria, verniciata, blu: Rock Rey
LOS230031	Body, Painted, Yellow: Rock Rey	Karosserie, lackiert, gelb: Rock Rey	Rock Rey - Carrosserie, peinte, jaune	Carrozzeria, verniciata, giallo: Rock Rey
LOS230032	Interior Panel, Painted: Rock Rey	Innenpanel, lackiert: Rock Rey	Rock Rey - Panneau de carrosserie intérieur, peinte	Pannello carrozzeria interno, verniciato: Rock Rey
LOS231005	Rear Bulkhead, Fan Panel, Mudguards: Baja Rey	Lüfterpanel, Schmutzfänger: Baja Rey	Baja Rey - Cloison arrière, ventilateur et bavettes	Paratia post., fan panel, parafango: Baja Rey
LOS231006	Battery Tray, Door, Lock, 2S Spacer: Baja Rey	Akkualter und Klappe, 2S Distanzstück: Baja Rey	Baja Rey - Support batterie, trappe, verrou et cales 2S	Vano batteria, portello, chiusura, distanziale 2S: Baja Rey
LOS231007	FR Upper Arm/Shock Mount, RR Chassis Brace: Baja Rey	Stoßdämpferbefestigung hinten mit Chassishalter: Baja Rey	Baja Rey - Triangle supérieur/fixation d'amortisseur avant, renfort arrière de châssis	Braccetto superiore ant. / supporto ammortizz., trapezio post.: Baja Rey
LOS231008	Servo Mount, Steering Servo Set Plastic: Baja Rey	Servohalter: Baja Rey	Baja Rey - Support servo, servo de direction plastique	Supporto servo, set servo sterzo in plastica: Baja Rey
LOS231010	Chassis Plate & Motor Cover Plate: Baja Rey	Chassisplatte und Motorabdeckung: Baja Rey	Baja Rey - Platine de châssis et couvercle moteur	Piastra telaio & piastra copertura motore: Baja Rey
LOS231011	Center Chassis Brace & Standoffs: Baja Rey	Chassishalter und Distanzstücke: Baja Rey	Baja Rey - Renfort central de châssis et entretoises	Montanti telaio centrali con distanziali: Baja Rey
LOS231012	Motor Mount: Baja Rey	Motorhalter: Baja Rey	Baja Rey - Support moteur	Supporto motore: Baja Rey
LOS231013	Steering Hardware Set: Baja Rey	Zubehörsset Lenkung: Baja Rey	Baja Rey - Set d'accessoires de direction	Set hardware sterzo: Baja Rey
LOS231021	FR Bumper/Skid Plate & Support: Rock Rey	FR-Stoßdämpfer/Gleitplatte und -träger: Rock Rey	Rock Rey - Pare choc avant/protection et support	Paraurti anteriore/piastra proteggitelaio e supporto: Rock Rey
LOS231022	Front Shock Tower, Brace, Cmr Link Mnt: Rock Rey	Stoßdämpferbrücke vorne, Halterung, Cmr Verb.-Mnt: Rock Rey	Rock Rey - Support d'amortisseurs av, protection et support biellette de carrossage	Torretta ammortizzatore anteriore, trapezio, supporto camber link: Rock Rey
LOS232001	Axle Housing Set, Rear: Baja Rey	Achsgehäuseset hinten: Baja Rey	Baja Rey - Carter de pont arrière	Set alloggiamento asse posteriore: Baja Rey
LOS232002	Center Transmission Housing: Baja Rey	Achsgehäuse mitte: Baja Rey	Baja Rey - Boitier de transmission centrale	Scatola trasmissione centrale: Baja Rey
LOS232003	Front Gear Box/Bulkhead: Baja Rey	Getriebegehäuse mit Halter: Baja Rey	Baja Rey - Set de carters de transmission avant/Cellule	Scatola ingranaggio anteriore / paratia: Baja Rey
LOS232004	HD Diff Housing & Internals: Baja Rey	Differentialgehäuse mit Einsätzen: Baja Rey	Baja Rey - Corps de différentiel renforcé et éléments internes	Scatola diff. HD ed parti interne: Baja Rey
LOS232005	Rear Driveshaft Set: Baja Rey	Antriebswelle hinten: Baja Rey	Baja Rey - Tiges de cardans arrière	Set trasmissione posteriore: Baja Rey
LOS232006	Hex, Rotor, Caliper & Pin Set (4): Baja Rey	Scheibenbremse mit Bremssattel Vorne/Hinten: Baja Rey	Baja Rey - Hexagone, rotor, mâchoires et goupilles	Set esagone, rotore, spessore e perno: Baja Rey
LOS232007	Center Transmission Gear Set: Baja Rey	Getriebeeset Mitte: Baja Rey	Baja Rey - Set de pignons de transmission centrale	Set ingranaggio trasmissione centrale: Baja Rey
LOS232010	Center Drive Shaft: Baja Rey	Antriebswelle Mitte: Baja Rey	Baja Rey - Cardan central	Albero di trasmissione centrale: Baja Rey
LOS232011	Rear Diff Locker: Baja Rey	Differentialsperre hinten: Baja Rey	Baja Rey - Verrou de diff arrière	Diff. locker posteriore: Baja Rey
LOS232012	Center Outdrive Set: Baja Rey	Antriebsklaue mitte: Baja Rey	Baja Rey - Set de noix de cardans centraux	Set trascintore centrale: Baja Rey
LOS232014	Rear Axle Shaft Set: Baja Rey	Hinterachswelleneset: Baja Rey	Baja Rey - Axe de roues arrière	Set semiasse posteriore: Baja Rey
LOS232019	42T Ring & 12T Pinion Gear: Baja Rey/Rock Rey	Stirnrad 42 Zähne & 12 er Ritzel: Baja Rey/Rock Rey	Baja Rey/Rock Rey - Anneau 42T et Pignon 12T avant/arrière	42T ingranaggio & 12T pignone ant./post.: Baja Rey/Rock Rey
LOS232020	Front Axle Set: Rock Rey	Vorderes Achsenset: Rock Rey	Rock Rey - Axe de roues avant	Set asse anteriore: Rock Rey
LOS232021	Front Sliders: Rock Rey	Vordere Schieber: Rock Rey	Rock Rey - Sliders avant	Steli forcella anteriore: Rock Rey
LOS232022	Front Outdrive Shaft: Rock Rey	Vordere Flexwelle: Rock Rey	Rock Rey - Axe de transmission avant	Albero trascinatore anteriore: Rock Rey
LOS233001	Shock Ends, Tops, Piston: Baja Rey	Stoßdämpferendteile, Kolben: Baja Rey	Baja Rey - Chapes d'amortisseurs, bouchons supérieurs et pistons	Terminali, tappi, pistoni ammortizz.: Baja Rey
LOS233002	FR/RR Shock Body & Collar Set: Baja Rey	Stoßdämpfergehäuse, Distanzringe v/h: Baja Rey	Baja Rey - Corps d'amortisseurs avant/arrière avec bague	Corpo ammortizz. ant./post & collarino
LOS233003	FR/RR Shock Shaft Set & Hardware: Baja Rey	Dämpfer Kolbenstange mit Zubehör: Baja Rey	Baja Rey - Tiges d'amortisseurs avant/arrière avec visserie	Stelo ammortizz. ant./post e hardware: Baja Rey
LOS233004	FR/RR Shock Seal & Limiter Set: Baja Rey	Stoßdämpferdichtung und Begrenzer: Baja Rey	Baja Rey - Joint d'amortisseurs avant/arrière avec limiteur	Set guarnizione ammortizz. ant./post. e limitatore: Baja Rey
LOS233005	Front and Rear Spring Set: Baja Rey	Dämpferfedern v/h: Baja Rey	Baja Rey - Ressort avant/arrière	Set molle ant./post.: Baja Rey
LOS234002	Shock Tower, Upper/Track Rod Mnts, Rear: Baja Rey	Dämpferbrücke hinten: Baja Rey	Baja Rey - Support d'amortisseurs, tirants	Torretta ammortizz., supporti tirante sterzo superiore post.: Baja Rey
LOS234003	Trailing Arm, Steering, Upper, Drag Link St: Baja Rey	Lenkgestänge: Baja Rey	Baja Rey - Tringlerie de direction supérieure	Braccetto longitudinale, sterzo, superiore, tirante sterzo: Baja Rey
LOS234006	Front & Rear Sway Bar Links: Baja Rey	Querlenkerverbinder vorne: Baja Rey	Baja Rey - Tringlerie barre anti-roulis avant/arrière	Collegamenti barra antitorione ant./post.: Baja Rey
LOS234007	Front Hinge Pins & Brace Set: Baja Rey	Querlenkerstifte und Halter: Baja Rey	Baja Rey - Renfort de cellule avant	Perni braccetti ant. e set piastrine
LOS234011	Front Suspension Arm Set: Rock Rey	Vorderradaufhängungsarm Set: Rock Rey	Rock Rey - Bras de suspension avant	Set braccetti sospensione anteriore: Rock Rey
LOS234012	Caster Block Set: Rock Rey	Radblockset: Rock Rey	Rock Rey - Etriers porte fusées	Set caster block: Rock Rey
LOS234013	Steering Spindle Set: Rock Rey	Lenkspindelset: Rock Rey	Rock Rey - Fusées	Fusello sterzo: Rock Rey
LOS234014	Camber & Steering Link Set: Rock Rey	Radsturz- und Lenkgliedset: Rock Rey	Rock Rey - Rotules de carrossage et direction	Set campanatura e collegamenti sterzo: Rock Rey
LOS234015	FR/RR Shock Body & Collar Set: Rock Rey	FR/RR Stoßdämpfer & Collar Set: Rock Rey	Rock Rey - Corps d'amortisseurs avant/arrière avec bague	Set corpo ammortizzatore ant./post. e collarino: Rock Rey
LOS235001	Cap Head Screws, M2 x 6mm (10)	Zylinderkopfschraube, M2 x 6mm (10)	Vis BTR, M2 x 6mm (10)	Viti testa a brugola, M2 x 6mm (10)
LOS235002	Cap Head Screws, M2.5 x 10mm (10)	Zylinderkopfschraube, M2.5 x 10mm (10)	Vis BTR, M2,5 x 10mm (10)	Viti testa a brugola, M2,5 x 10mm (10)
LOS235003	Cap Head Screws, M3 x 6mm (10)	Zylinderkopfschraube, M3 x 6mm (10)	Vis BTR, M3 x 6mm (10)	Viti testa a brugola, M3 x 6mm (10)
LOS235004	Cap Head Screws, M3 x 25mm (10)	Zylinderkopfschraube, M3 x 25mm (10)	Vis BTR, M3 x 25mm (10)	Viti testa a brugola, M3 x 25mm (10)
LOS235005	Button Head Screws, M2.5 x 6mm (10)	TLR Rundkopfschraube, M2.5 x 6mm (10)	Vis à tête bombée, M2,5 x 6mm (10)	Viti testa tonda, M2,5 x 6mm (10)
LOS235006	Button Head Screws, M2.5 x 20mm (10)	TLR Rundkopfschraube, M2.5 x 20mm (10)	Vis à tête bombée, M2,5 x 20mm (10)	Viti testa tonda, M2,5 x 20mm (10)
LOS235007	Button Head Screws, M4 x 12mm (10)	TLR Rundkopfschraube, M4 x 12mm (10)	Vis à tête bombée, M4 x 12mm (10)	Viti testa tonda, M4 x 12mm (10)
LOS235008	Flat Head Screws, M2.5 x 5mm (10)	Flachkopfschraube, M2.5 x 5mm (10)	Vis FHC, M2,5 x 5mm (10)	Viti a testa piatta, M2,5 x 5mm (10)
LOS235009	Flat Head Screws, M2.5 x 8mm (10)	Flachkopfschraube, M2.5 x 8mm (10)	Vis FHC, M2,5 x 8mm (10)	Viti a testa piatta, M2,5 x 8mm (10)

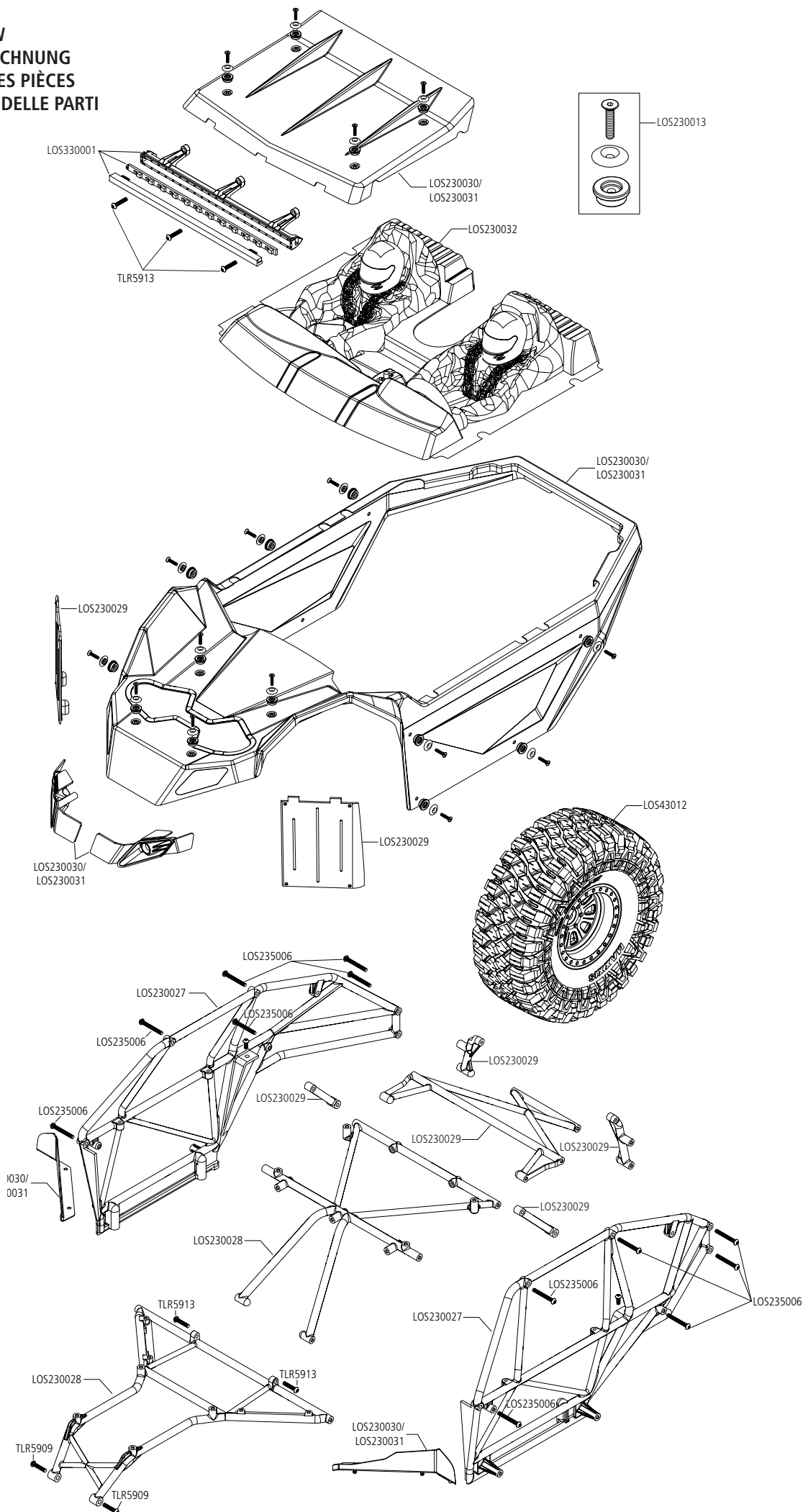
Replacement Parts // Teileliste // Liste des pièces de rechange // Elenco dei ricambi

Part #	English	Deutsch	Français	Italiano
LOS235010	Flat Head Screws, M2.5 x 12mm (10)	Flachkopfschraube, M2.5 x 12mm (10)	Vis FHC, M2,5 x 12mm (10)	Viti a testa piatta, M2,5 x 12mm (10)
LOS235011	Set Screws, M3 x 3mm Cup Point (10)	Ringschneide Gewindestift, M3 x 3 (10)	Vis à tête creuse auto-taraudeuses M3 x 3 (10)	Set viti a grano M3 x 3 mm (10)
LOS235012	Set Screws, M4 x 4mm Cup Point (10)	Ringschneide Gewindestift, M4 x 4 (10)	Vis à tête creuse auto-taraudeuses M4 x 4 (10)	Set viti a grano M4 x 4 mm (10)
LOS235013	Flat Nut, M3 x 0.5 x 5mm (10)	Flachmutter, M3 x 0.5 x 5mm (10)	Écrou plat, M3 x 0,5 x 5mm (10)	Dado piatto, M3 x 0,5 x 5mm (10)
LOS235014	Lock Nut, M2 x 0.4 x 4mm (10)	Muttern Nylock angeflanscht, M2 x 0.4 x 4mm (10)	Écrou auto-freiné M2 x 0,4 x 4mm (10)	Dadi autobloccanti M2 x 0,4 x 4 mm (10)
LOS235015	Lock Nut, Flanged M5 x 0.8 Serrated (10)	Muttern Nylock angeflanscht gezackt, M5 x 0.8 (10)	Écrou auto-freiné épaulé strié M5 x 0,8mm (10)	Dadi a colletto dentato M5 x 0,8 (10)
LOS235023	Hinge Pin Screws, FR (10): Rock Rey	Scharnierstiftschrauben, FR (10): Rock Rey	Rock Rey - Vis de cellule avant (10)	Viti perni cerniere ant. (10): Rock Rey
LOS239001	Fluorescent Yellow Decal Sheet: Rock Rey	Aufkleberbogen/Fluor Gelb: Rock Rey	Rock Rey - Planche de décoration jaune fluo	Decalcomanie giallo fluorescente: Rock Rey
LOS239002	Electric Blue Decal Sheet: Rock Rey	Aufkleberbogen/Blau: Rock Rey	Rock Rey - Planche de décoration bleue électrique	Decalcomanie blu elettrico: Rock Rey
LOS330001	LED Roof Light Bar Set: Baja Rey	LED-Leuchtbalkenset, Dach: Baja Rey	Baja Rey - Rampe lumineuse DEL toit	Barra luci LED tetto: Baja Rey
LOS43012	Maxxis Creepy Crawler LT Mounted 2.35" x 5.75" - 2.2	Maxxis Creepy Crawler LT montiert	Pneus montés Maxxis Creepy Crawler LT	Maxxis Creepy Crawler LT montato
LOS43013	Maxxis Creepy Crawler LT Tire 2.35" x 5.75" - 2.2"	Maxxis Creepy Crawler LT Reifen	Pneus Maxxis Creepy Crawler LT	Pneumatico Maxxis Creepy Crawler LT
LOS43014	Wheels 2.2" (4): Rock Rey	Räder 2.2" (4): Rock Rey	Rock Rey - Roues 2,2" (4)	Ruote 2,2" (4): Rock Rey
LOSA3572	1.0 Module Pitch Pinion, 12T	Ritzel 12T, 1.0 Modul	Pignon 12T, module 1.0	Pignone 12T, modulo 1.0
LOSA6250	Set Screws, 4mm & 5mm (6)	Madenschraube, 4mm & 5mm (6)	Vis STHC, 4mm & 5mm (6)	Grano, 4mm & 5mm (6)
LOSA6937	5 x 10mm Shielded Ball Bearing (2)	5x10mm Kugellager mit Staubschutzscheibe (2)	Roulements épaulés 5 x 10mm (2)	Cuscinetto a sfera schermato 5 x 10 mm (2)
LOSA6940	6 x 12mm Sealed Ball Bearing (4)	6 x 12mm Kugellager mit Gummiabdeckung (4)	Roulements étanches 6 x 12mm (4)	Cuscinetto a sfera sigillato 6 x 12 mm (2)
LOSA6956	12 x 18 x 4mm Ball Bearing (2)	12 x 18 x 4mm Kugellager (2)	Roulements 12 x 18 x 4mm (2)	Cuscinetto a sfera 12 x 18 x 4 mm (2)
LOSA6957	10 x 15 x 4mm BB (2) with Nylon Retainer	10 x 15 x 4mm Kugellager (2) with Nylon Retainer	Roulements 10 x 15 x 4mm flasque nylon (2)	Cuscinetto a sfera 10 x 15 x 4 mm con fermo di nylon (2)
LOSB3008	3 x 6 x 2.5mm Ball Bearing (2)	3 x 6 x 2.5mm Kugellager (2)	Roulements 3 x 6 x 2,5mm (2)	Cuscinetto a sfera 3 x 6 x 2,5 mm (2)
SPMS612HV	12KG Servo, WP, Metal, 23T	12KG WP-Metall-Servo 23T	Servo 12kg à pignons métal, étanche, 23T	Servo 12 kg, resistente all'acqua, metallo, 23T
SPMSRS4220	SRS4220 DSMR AVC Surface Rx	SRS4220 DSMR AVC Sender	Récepteur SRS4220 DSMR AVC	Radio AVC DSMR SRS4220
TLR5903	Button Head Screws, M3 x 10mm (10)	Halbrundschraube, M3 x 10mm (10)	Vis à tête bombée, M3 x 10mm (10)	Viti a testa tonda, M3 x 10mm (10)
TLR5904	Button Head Screws, M3 x 12mm (10)	Halbrundschraube, M3 x 12mm (10)	Vis à tête bombée, M3 x 12mm (10)	Viti a testa tonda, M3 x 12mm (10)
TLR5909	Button Head Screws, M3 x 16mm (10)	Halbrundschraube, M3 x 16mm (10)	Vis à tête bombée, M3 x 16mm (10)	Viti a testa tonda, M3 x 16mm (10)
TLR5910	Button Head Screws, M3 x 14mm (10)	Halbrundschraube, M3 x 14mm (10)	Vis à tête bombée, M3 x 14mm (10)	Viti a testa tonda, M3 x 14mm (10)
TLR5911	Button Head Screws, M3 x 20mm (10)	Halbrundschraube, M3 x 20mm (10)	Vis à tête bombée, M3 x 20mm (10)	Viti a testa tonda, M3 x 20mm (10)
TLR5913	Button Head Screws, M2.5 x 12mm (10)	Halbrundschraube, M2.5 x 12mm (10)	Vis BHC, M2,5 x 12mm (10)	Viti a testa tonda, M2,5 x 12mm (10)
TLR5934	Cap Head Screws, M3 x 16mm (10)	Sechskantschraube, M3 x 16mm (10)	Vis CHC M3 x 16mm (10)	Viti a testa piatta M3 x 16mm (10)
TLR5961	Flathead Screws, M3 x 8mm (10)	Flachkopfschraube, M3 x 8mm (10)	Vis FHC, M3 x 8mm (10)	Viti a testa piatta, M3 x 8mm (10)
TLR5963	Flathead Screws, M3 x 12mm (10)	Flachkopfschraube, M3 x 12mm (10)	Vis FHC, M3 x 12mm (10)	Viti a testa piatta, M3 x 12mm (10)
TLR5964	Flathead Screws, M3 x 16mm (10)	Flachkopfschraube, M3 x 16mm (10)	Vis FHC, M3 x 16mm (10)	Viti a testa piatta, M3 x 16mm (10)
TLR5965	Flathead Screws, M3 x 20mm (10)	Flachkopfschraube, M3 x 20mm (10)	Vis FHC, M3 x 20mm (10)	Viti a testa piatta, M3 x 20mm (10)
TLR5965	Flathead Screws, M3 x 20mm (10)	Flachkopfschraube, M3 x 20mm (10)	Vis FHC, M3 x 20mm (10)	Viti a testa piatta, M3 x 20mm (10)
TLR6312	Locknut, M2.5 x .45 x 5mm (6)	Muttern Nylock angeflanscht, M2.5 x .45 x 5mm (6)	Ecrou auto-freiné M2,5 x 0,45 x 5mm (6)	Dadi autobloccanti, M2,5 x .45 x 5 mm (6)
TLR6313	Locknut, M3 x .5 x 5.5mm (10)	Muttern Nylock angeflanscht, M3 x 0.5 x 5.5mm (10)	Ecrou auto-freiné M3 x 0,5 x 5,5mm (10)	Dadi autobloccanti, M3 x .5 x 5,5 mm (10)
TLR6352	Washers, M3 (10)	TLR U-Scheibe, M3 (10)	Rondelles M3 (10)	Rondelle, M3 (10)
TLR74006	Silicone Shock Oil, 30wt, 2oz	Silikon-Stoßdämpferöl, 30 wt, 60 ml (2 oz)	Huile silicone d'amortisseur, 30wt, 60 ml	Olio al silicone per ammortizzatore, 30wt, 2oz
VTR236025	M4 Nylock Flanged Nut (10)	M4 Nylock Flanschmutter (10)	Écrou à embase (10) Nylock M4	Dado flangiato (10) M4 Nylock
VTR246001	Screw Pin, Clip Post (10): Glamis Uno	Stiftschraube (10) GLU	Supports de clips avec goupilles (10): GLU	Perni viti clip (10): GLU

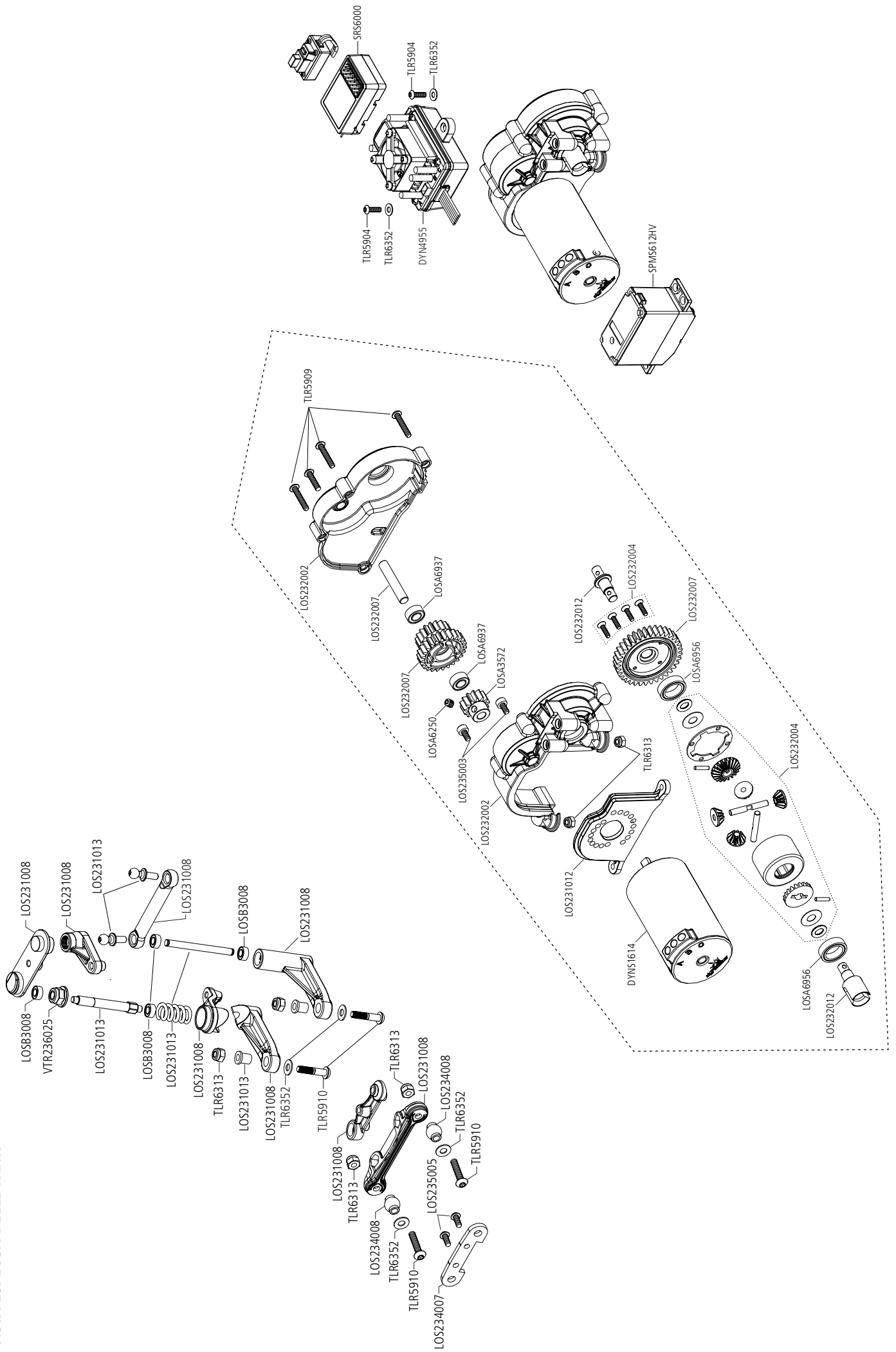
Optional Parts // Optionale Bauteile // Pièces optionnelles // Pezzi opzionali

Part #	English	Deutsch	Français	Italiano
DYN9005EC	Reaction 7.4V 5000mAh 2S 30C LiPo Hardcase: EC3	Reaction 7,4 V 5000 mAh 2S 30C LiPo, Hardcasemit: EC3	Batterie Reaction Li-Po 2S 7,4V 5000mA 30C, boîtier rigide, prise EC3	Batteria LiPo hardcase Reaction 30C 2S 7,4V 5000 mAh: EC3
DYNB3803EC	Reaction 11.1V 5000mAh 3S 50C LiPo, Hardcase: EC3	Reaction 11,1 V 5000 mAh 3S 50C LiPo, Hardcasemit: EC3	Batterie Reaction Li-Po 3S 11,1V 5000mA 50C, boîtier rigide, prise EC3	Batteria LiPo hardcase Reaction 50C 3S 11,1 V 5000 mAh: EC3
DYNC2005CA	Prophet Sport LiPo 35W AC Charger	Prophet Sport LiPo 35 W AC-Ladegerät	Chargeur Prophet Sport AC Li-Po 35W	Caricabatteria AC LiPo Prophet Sport 35 W
LOS330002	Body Set, Clear: Rock Rey	Karosserie Set: Rock Rey	Rock Rey - Carrosserie, transparente	Set carrozzeria trasparente
LOS331001	Aluminum Steering Servo Mount: Baja Rey	Aluminium Lenkservo Montage: Baja Rey	Baja Rey - Support de servo de direction aluminium	Supporto servocomando sterzo alluminio: Baja Rey
LOS331002	Aluminum Bellcrank Servo Saver Set: Baja Rey	Aluminium Umlenkhebel-Servo Sparer: Baja Rey	Baja Rey - Sauve servo levier aluminium	Set salvaservo squadrette alluminio: Baja Rey
LOS331004	Aluminum Rear Upper Link & Space Set: Baja Rey	Aluminium hinteres oberes Glied- und Abstandset: Baja Rey	Baja Rey - Tirant supérieur arrière et entretoise aluminium	Set collegamento e distanziale superiore posteriore alluminio: Baja Rey
LOS331005	Aluminum Servo Arm, 23T: Baja Rey	Servoarm, Aluminium, 23T: Baja Rey	Baja Rey - Palonnier de servo, alu, 23T	Squadretta servo, alluminio, 23T: Baja Rey
LOS331006	Aluminum Servo Arm, 24T: Baja Rey	Servoarm, Aluminium, 24T: Baja Rey	Baja Rey - Palonnier de servo, alu, 24T	Squadretta servo, alluminio, 24T: Baja Rey
LOS331007	Aluminum Servo Arm, 25T: Baja Rey	Servoarm, Aluminium, 25T: Baja Rey	Baja Rey - Palonnier de servo, alu, 25T	Squadretta servo, alluminio, 25T: Baja Rey
LOS332001	AL Lightened Hex Adapter Set, 12mm x 6mm: Baja Rey	AL erleuchtetes Hex-Adapterset, 12 mm x 6 mm: Baja Rey	Baja Rey - Hexagones aluminium, 12mm x 6mm	Adattatore esagonale allum. alleggerito, 12 mm x 6 mm: Baja Rey
LOS334002	AL Axle Housing Upper Track Rod Mount: Baja Rey	AL Achshöhse Obere Spurstangen-Montage: Baja Rey	Baja Rey - Carter de pont supérieur aluminium Track Rod Mount	Supporto tirante sterzo superiore allum. alloggiamento asse: Baja Rey
LOS334003	AL Upper/Lower Blkhd Track Rod Mount St: Baja Rey	AL Blkhd Spurstangen-Montage oben/unten St: Baja Rey	Baja Rey - Cellule supérieure/inférieure aluminium Track Rod Mount	Supporto tirante sterzo allum. paratia sup./inf.: Baja Rey
LOS334004	Aluminum Rear Shock Tower Set: Baja Rey	Heck Stoßdämpferbrücke Aluminium: Baja Rey	Baja Rey - Support d'amortisseurs arrière en alu	Torre ammortizzatore posteriore, allum: Baja Rey
LOS334006	Aluminum Lower Rear Trailing Arm Set: Baja Rey	Aluminium Hinterachsträgerset unten: Baja Rey	Baja Rey - Bras arrière inférieur aluminium	Braccetto longitudinale inf. alluminio: Baja Rey
LOSA3570	1.0 Module Pitch Pinion, 10T: 8E, SCTE	1.0 Modul Getrieberad, 10T: 8E, SCTE	8E, SCTE - Pignon module 1.0, 10T	Pignone 10T modulo 1: 8E, SCTE
LOSA3571	1.0 Module Pitch Pinion, 11T: 8E, SCTE	1.0 Modul Getrieberad, 11T: 8E, SCTE	8E, SCTE - Pignon module 1.0, 11T	Pignone 11T modulo 1: 8E, SCTE
TLR76000	Tire Glue, Standard	Reifenkleber, Standard	Colle à pneus, standard	Colla pneumatici, standard
TLR76004	TLR Lok, Threadlock, Blue	TLR Lok, Schraubensicherung, Blau	Frein filet TLR Lok, bleu	Frenafilletti blu TLR Lok

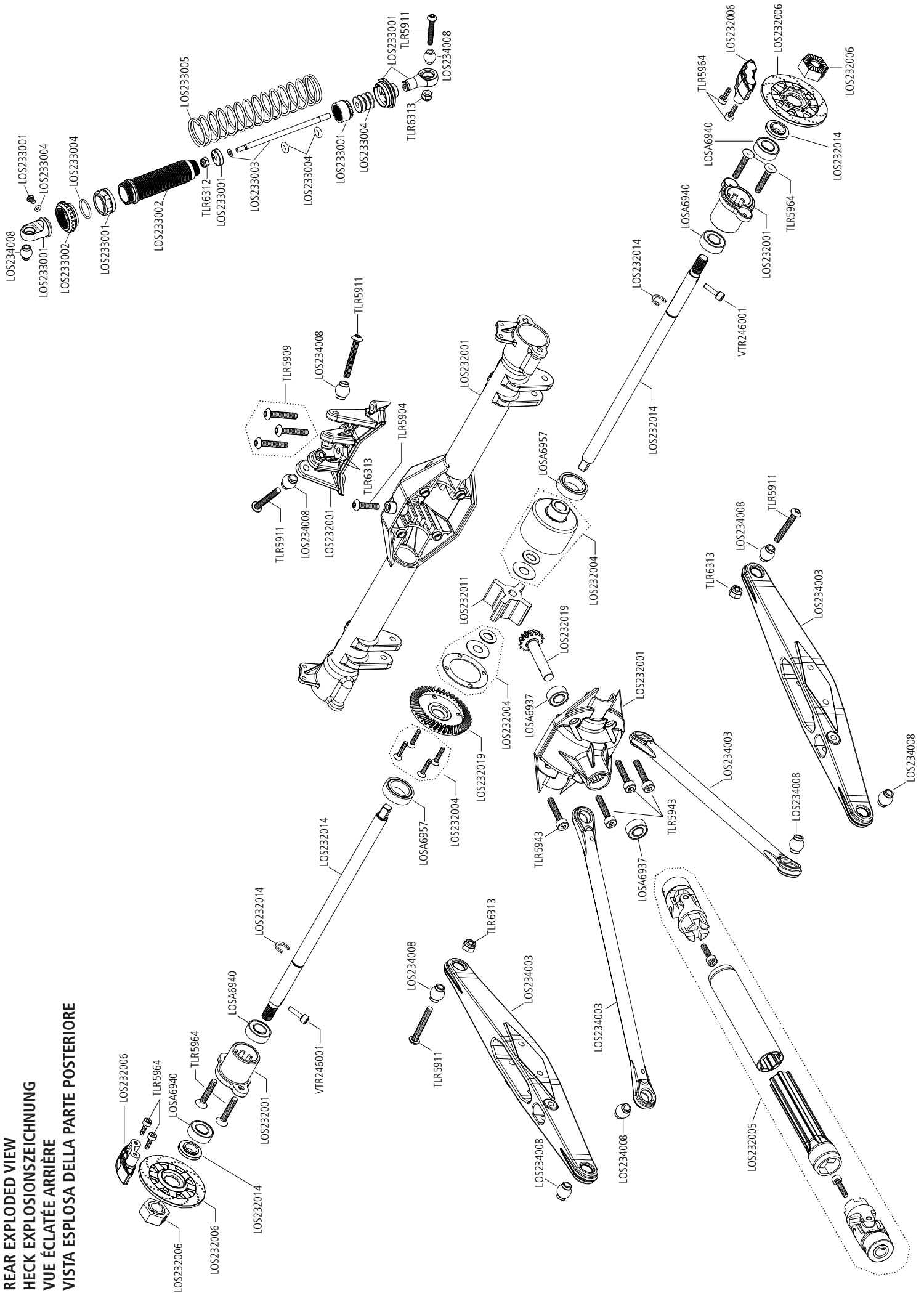
EXPLODED VIEW
EXPLOSIONSZEICHNUNG
VUE ÉCLATÉE DES PIÈCES
VISTA ESPLOSA DELLE PARTI



EXPLODED VIEW
 EXPLOSIONSZEICHNUNG
 VUE ÉCLATÉE DES PIÈCES
 VISTA ESPLOSA DELLE PARTI



REAR EXPLODED VIEW
 HECK EXPLOSIONSZEICHNUNG
 VUE ÉCLATÉE ARRIÈRE
 VISTA ESPLOSA DELLA PARTE POSTERIORE





WWW.LOSI.COM

© 2018 Horizon Hobby, LLC.

Losi, Rock Rey, DSM, DSM2, DSMR, AVC, Active Vehicle Control, EC3, Dynamite, Fuze, Prophet, Reaction and the Horizon Hobby logo are trademarks or registered trademarks of Horizon Hobby, LLC. The Spektrum trademark is used with permission of Bachmann Industries, Inc. US 9,320,977. Other patents pending.

Created 08/18

58680 | LOS03026

