

Name: <u>Reno Savoya</u>	Date: <u>25/02/2018</u>	Event: <u>Dirt Nitro Challenge</u>
City: <u>Lyon</u>	State: <u>France</u>	Track: <u>AZRC raceway</u>

Track Indoor Tight Smooth Hard Packed Blue Groove Wet Low Bite High Bite
 Conditions Outdoor Open Rough Loose/Loamy Dry Dusty Med Bite Other 10°C

Front Suspension

Toe: -2° out

Ride Height: 25 mm

Camber: 2°

Caster: stock

Spindle Height: High Low

Wheel Hex: 0 (stock)

Sway Bar: 2,3mm

Piston/Oil: 5x1,4mm - 40wt

Shock Type: Bladder Emulsion

Spring: EVO purple

Limiters/Droop: 104mm

Overall Shock Length: _____

Steering Ackerman: short

Bump Steer: 0mm - up

Camber Link: 2

Shock Location: 3 - inside

Receiver Battery Type: Dynamite

Differentials

Front: Standard Smart

Spring Wire Dia.: _____

Qty of Springs: _____

Ramp Plate: _____

Grease: _____

Diff Fluid: 10 000 wt

Center: Standard Smart

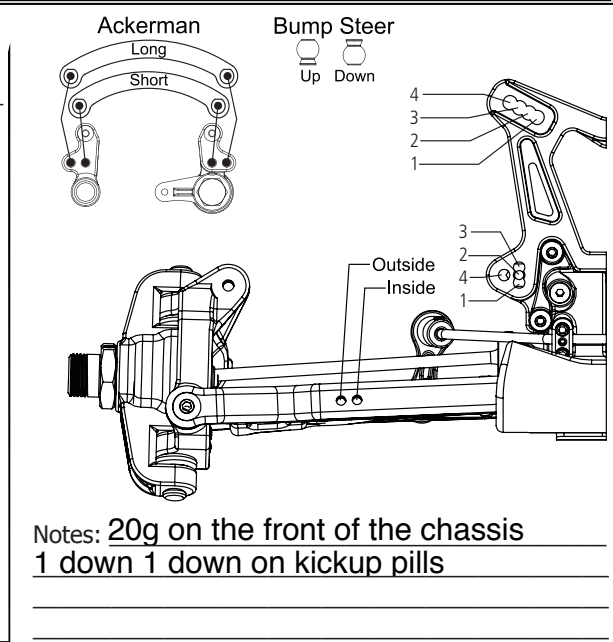
Spring Wire Dia.: _____

Qty of Springs: _____

Ramp Plate: _____

Grease: _____

Diff Fluid: 10 000 wt



Rear Suspension

Roll Center: HRC LRC

Toe: 3° (0 pill)

Anti-Squat: 0.5 down on LOSA1759

Ride Height: 30 mm

Camber: -3°

Rear Hub Spacing: maximum back +2mm

Wheel Hex: 0

Sway Bar: 2,3mm

Piston/Oil: 5x1,5mm - 45wt

Shock Type: Bladder Emulsion

Spring: EVO yellow

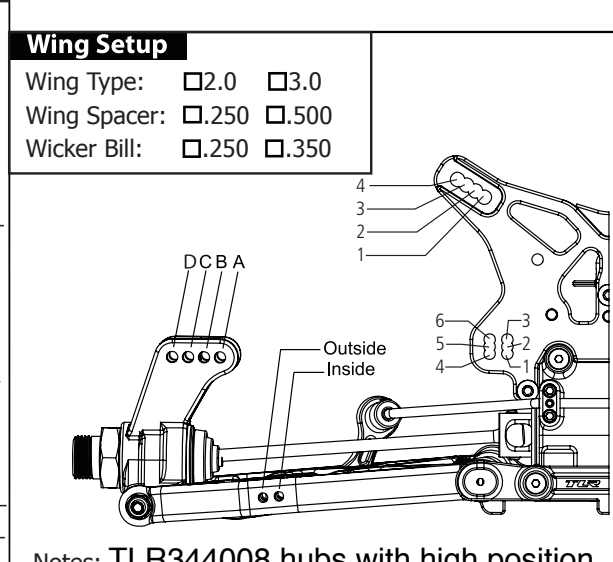
Limiters/Droop: 114mm

Overall Shock Length: _____

Camber Link: 1 - B

Shock Position: 3 - inside

Rear Diff Fluid: 3 000 wt



Engine

Engine: RC Concept MC5X Fuel: THOR 25%

Glow Plug: RC3 Head Clearance: _____

Pipe/Header: RCConcept 2133 Gearing: 13/46

Clutch

Clutch Shoes and Springs Info

2 carbon with green springs

2 aluminium with green spring

Tires

Type	Compound	Insert
Front: <u>JC Reflex</u>	<u>Green</u>	<u>Dirt Tech</u>
Rear: <u>JC Reflex</u>	<u>Green</u>	<u>Dirt Tech</u>

Notes: _____