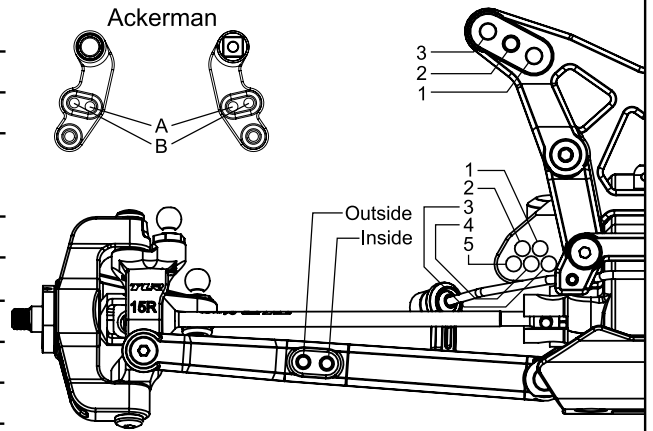


Name: <u>22-4 Standard Setup</u>		Date: _____	Event: _____
City: _____		State: _____	
Track: _____			
Track Conditions: <input type="checkbox"/> Indoor <input type="checkbox"/> Outdoor <input type="checkbox"/> Tight <input type="checkbox"/> Open <input type="checkbox"/> Smooth <input type="checkbox"/> Rough <input type="checkbox"/> Hard Packed <input type="checkbox"/> Loose/Loamy <input type="checkbox"/> Blue Groove <input type="checkbox"/> Dry <input type="checkbox"/> Wet <input type="checkbox"/> Dusty <input type="checkbox"/> Grass <input type="checkbox"/> Astro Turf <input type="checkbox"/> Low Bite <input type="checkbox"/> Med Bite <input type="checkbox"/> High Bite <input type="checkbox"/> Other _____			

Front Suspension

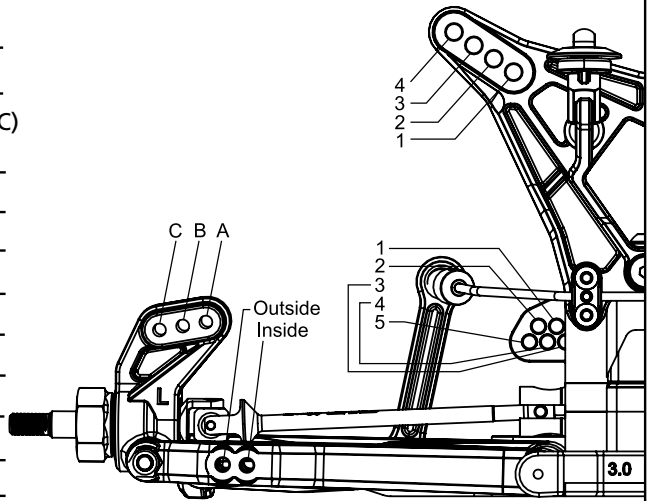
Toe: 0°
 Ride Height: 22mm
 Camber: -1°
 Caster: 10° 15° 20°
 Sway Bar: None
 Oil: 32.5 wt
 Piston: 2 x 1.6mm
 Spring: Standard Low Freq. Color: Silver
 Shock Limiters: 2mm
 Shock Location: 2 - Inside
 Bump Steer Ball Stud: Standard Low Mount
 Bumper Steer Spacers: None
 Camber Link: 4
 Ackermann: A



Notes: _____

Rear Suspension

Toe: 3°
 Anti-Squat: 3°
 Roll Center: Low Roll Center (LRC) High Roll Center (HRC)
 Ride Height: 22mm
 Camber: -1°
 Rear Hub Spacing: Middle
 Hex Width: Std.
 Sway Bar: None
 Oil: 32.5 wt
 Piston: 2 x 1.7mm
 Spring: Standard Low Freq. Color: Yellow
 Shock Limiters: None
 Camber Link: 4-B
 Shock Locations: 3 - Inside
 Wing/Wickerbill: _____
 Battery Position: Back



Electronics

Radio: _____
 Servo: _____
 ESC: _____
 Initial Brake: _____
 Drag Brake: _____
 Throttle Profile: _____
 Timing Advance: _____
 Throttle/Brake Expo: _____
 Servo Expo: _____
 Throttle/Brake EPA: _____
 Motor: _____
 Pinion: _____ Spur: _____
 Battery: _____

Tires	Compound	Insert	Additive
Front: _____	_____	_____	_____
Rear: _____	_____	_____	_____
Notes: _____			