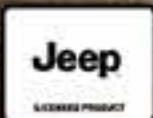


# TRAIL PROVEN OFF-ROAD PERFORMANCE

# SCX10

**SCX10 II™ 2017 JEEP WRANGLER UNLIMITED CRC**  
1/10th SCALE ELECTRIC 4WD - READY-TO-RUN



[www.axialracing.com](http://www.axialracing.com)



## **AXIAL BUMPER TO BUMPER ONE (1) YEAR LIMITED WARRANTY**

Axial's warranty center, Hobby Services, guarantees this kit to be free from defects in materials and workmanship for one (1) year from the date of purchase. Axial will repair or replace, at the discretion of Hobby Services, Axial will repair or replace any incorrectly made part. Your receipt or invoice at the time of purchase is your proof of purchase and is required for Axial to honor any warranty. Axial reserves the right to change or modify this warranty without notice. This warranty does not cover damages due to normal wear and tear, users' failure to perform routine maintenance, user error of assembly or installation, modifications, misuse, crash damage or the addition of aftermarket parts or optional parts.

Repair or replacement of the product by Hobby Services is the sole and exclusive remedy for any loss or damages.

Neither Axial nor Hobby Services are liable under this limited warranty for any incidental, consequential, indirect or special damages, including without limitation, loss of profits or other economic damages.

Note: Purchasing products from unauthorized retailers may void the warranty and prevent support and service.

### **INTERNATIONAL CUSTOMER WARRANTY**

Please contact the dealer where the purchase was made. If your Axial product purchase was made through an on-line retailer, any warranty issues must be taken care of by that retailer. Axial assumes no responsibility for Axial products sold internationally by on-line retailers outside of your home country/region.

### **SPECIFICATIONS & DESCRIPTION CHANGES**

All information found in this manual is subject to change without notice. Visit [Axialracing.com](http://Axialracing.com) for the latest updates and information regarding your model. Axial maintains no responsibility for inadvertent errors in this manual or on the box art.

### **WARRANTY REPAIRS CONTACT**

Hobby Services  
3002 N. Apollo Drive Suite 1  
Champaign, IL 61822  
ATTN: Service Department  
Phone: 877-64-AXIAL (877-642-9425)  
8:00 am – 5:00 pm Central Time M-F  
E-mail: [service@axialracing.com](mailto:service@axialracing.com)

## CAUTIONS



To prevent serious personal injury and/or property damage, operate all remotely controlled models in a responsible manner as outlined herein.

### CHOOSE THE RIGHT PLACE TO OPERATE YOUR R/C MODEL.

- Do not run on public streets or highways. This could cause serious accidents, personal injuries, and/or property damage.
- Never run R/C models near people or animals.
- To avoid injury, do not run in confined spaces.
- Do not run where loud noises can disturb others, such as hospitals and residential areas.
- Never run indoors. There is a high risk of fire and/or damage.

### INSPECT YOUR MODEL BEFORE OPERATION.

- Make sure that all screws and nuts are properly tightened. It is also a good idea to use removable thread lock wherever metal screws go into metal, especially for engine mounts and the engine pilot shaft.
- Always use fresh batteries for your transmitter and for your receiver to avoid losing control of the model.
- Always test the brakes and throttle before starting your engine to avoid losing control of the model.

### AFTER OPERATION OF YOUR R/C MODEL

- Disconnect battery in vehicle first, then turn off transmitter, this will prevent runaways.
- Be careful when handling batteries, they will be hot after running.
- Replace any batteries that have been dented or have frayed wires, short circuits can cause fire.
- Be sure to keep your R/C model clean and free of excess dirt and grease, this will increase the life.

## VORSICHT!



Um Verletzungen an Personen und/oder Sachschäden zu vermeiden, sollten alle ferngesteuerten Modelle sorgfältig und verantwortungsbewusst bedient werden, wie nachfolgend beschrieben.

### Wählen Sie den richtigen Platz zum Fahren

- Fahren Sie niemals auf öffentlichen Straßen. Dies könnte Verkehrsunfälle, Personen schäden oder Sachschäden verursachen.
- Fahren Sie niemals in der Nähe von anderen Personen oder Tieren.
- Fahren Sie niemals auf belebten Straßen.
- Fahren Sie nie in der Nähe von Wohnhäusern oder Krankenhäusern. Der Lärm könnte andere Personen stören.
- Fahren Sie niemals in Innenräumen. Dort könnte etwas beschädigt werden.

### Überprüfen Sie Ihr Modell, bevor Sie es in Betrieb nehmen.

- Gehen Sie sicher, dass alle Schrauben und Muttern festgezogen sind. Verwenden Sie überall dort Schrauben-Sicherungslack, wo Metallschrauben in ein Metallgewinde greifen, besonders bei den Motorhaltern.
- Um Störungen zu vermeiden, benutzen Sie immer voll geladene Akkus in Ihrem Sender und Empfänger.
- Bevor Sie den Motor starten, sollten Sie immer die Funktion der Bremse und des Gashebels testen.

### Nach Betrieb des RC Modells:

- Zuerst den Empfänger abdrehen, dann den Sender abdrehen um unkontrolliertes Durchgehen zu vermeiden.
- Seien Sie vorsichtig mit gebrauchten Akkus, sie können nach dem Gebrauch heiß sein.
- Ersetzen Sie Akkus/Batterien die beschädigt sind oder schadhafte Kabel aufweisen, sie können Kurzschlüsse oder Feuer verursachen.
- Halten Sie Ihr Fahrzeug sauber und entfernen Sie Schmutz und Schmierfett, damit erhöhen Sie die Lebensdauer Ihres Modells.

## PRECAUTIONS



Afin d'éviter toutes blessures corporelles et/ou dommages environnants, veuillez procéder en toute responsabilité comme indiqué ci-dessous

### Choisir le lieu adéquat pour faire rouler votre modèle.

- Ne jamais rouler dans les rues ou sur les routes ouvertes au publique. Ceci peut provoquer de graves accidents.
- Ne jamais rouler près de personnes ou d'animaux.
- Pour éviter les blessures, ne pas rouler dans des espaces confinés.
- Ne jamais rouler où le bruit peut déranger, comme aux abords des hôpitaux ou des quartiers résidentiels.
- Ne jamais rouler à l'intérieur: les gaz d'échappement sont nocifs.

### Controler votre modèle avant chaque utilisation.

- Vérifier que les vis et les écrous sont bien serrés. Il est très fortement conseillé d'utiliser du frein filet pour bloquer les vis qui sont en contact avec du métal et tout particulièrement les vis du moteur.
- Toujours utiliser des batteries bien chargées pour l'émission et la réception.
- Toujours vérifier les freins et la commande des gaz avant de démarrer.

### Après l'Opération De Votre Modèle de R/C

- Le virage du récepteur premier, alors virage de l'émetteur, ceci empêchera des fugitifs.
- Faire attention en contrôlant des piles, ils auront chaud après avoir couru.
- Remplacer n'importe quelles piles qui ont été cabossées ou a éraillé des fils, les court-circuits peuvent causer le feu.
- Etre sûr de garder votre modèle de R/C nettoie et libère de terre et la graisse supplémentaires, ceci augmentera la vie.

**Problem  
Problem  
Problème**

**Cause  
Grund  
Cause**

**Remedy  
Lösung  
Remède**

**Does not move  
Das Auto fährt nicht  
Le véhicule ne bouge pas**

**Batteries are not installed properly in the transmitter.  
Die Batterien sitzen nicht korrekt im Sender.  
Les piles ne sont pas placées correctement dans l'émetteur.**

**Make sure batteries are properly installed.  
Legen Sie die Batterien korrekt ein.  
Positionnez correctement les piles dans l'émetteur.**

**Weak or no battery in model.  
Leerer oder kein Akku im Auto.  
Batterie faible ou non installée**

**Install charged battery.  
Einbauen eines geladenen Akkus.  
Mettez en place une batterie chargée**

**Damaged motor.  
Kaputter Motor.  
Moteur endommagé**

**Replace with new motor.  
Austausch durch einen neuen Motor.  
Remplacez par un nouveau moteur**

**Frayed or broken wiring.  
Beschädigte Verkabelung.  
Câble dénudé ou coupe**

**Splice and insulate wiring completely.  
Erneuern und isolieren Sie die kaputte Stelle.  
Faites une épissure et isolez complètement le câble.**

**ESC is shut down by heat protection circuit.  
Notabschaltung des Reglers wegen Überhitzung.  
Le système ESC est fermé par le circuit de protection thermique.**

**Stop driving immediately, do not drive the car until the Speed Controller cools down.  
Fahren Sie nicht weiter. Warten Sie bis der Fahrten regler abgekühlt ist.  
Arrêtez immédiatement de conduire, ne pilotez pas la voiture tant que le contrôleur de vitesse n'a pas refroidi.**

**No Control.  
Keine Kontrolle über das Auto  
Pas de contrôle**

**Improper antenna on transmitter or model.  
Zu kurze Antenne am Sender oder Auto.  
Antenne inadéquate sur l'émetteur ou le véhicule**

**Install charged or fresh batteries.  
Einbauen voller Batterien.  
Mettez des batteries rechargées ou neuves.**

**Weak or no batteries in transmitter or model.  
Leere oder keine Batterien im Sender oder Auto.  
Batterie faible ou absente dans l'émetteur ou le véhicule.**

**Fully extend antenna.  
Ziehen Sie die Antenne vollständig aus.  
Dépliez complètement l'antenne.**

**Neutral position or trim is incorrect.  
Neutralposition oder Trimmung sind verstellt.  
La position neutre est incorrecte ou le trim n'est pas réglé.**

**Adjust the steering trim.  
Stellen Sie die Lenkungstrimmung neu ein.  
Réglez le trim de direction.**

**Are the receiver and battery connections properly connected?  
Sind der Empfänger und die Batterieverbindungen ordentlich verbunden?  
Son conectadas apropiadamente las conexiones del receptor y la batería?**

**Check receiver and battery connections.  
Prüfen Sie Empfänger und Batterieverbindungen.  
Compruebe conexiones de batería y receptor.**

**Steering and Throttle Function Reversed.  
Lenkung und Gas funktionieren genau verkehrt herum.  
Direction et accélération inverses.**

**Servo reverse switch is in wrong position.  
Servorichtungs-Schalter ist in der falschen Position.  
L'interrupteur de marche arrière du servo est dans la mauvaise position**

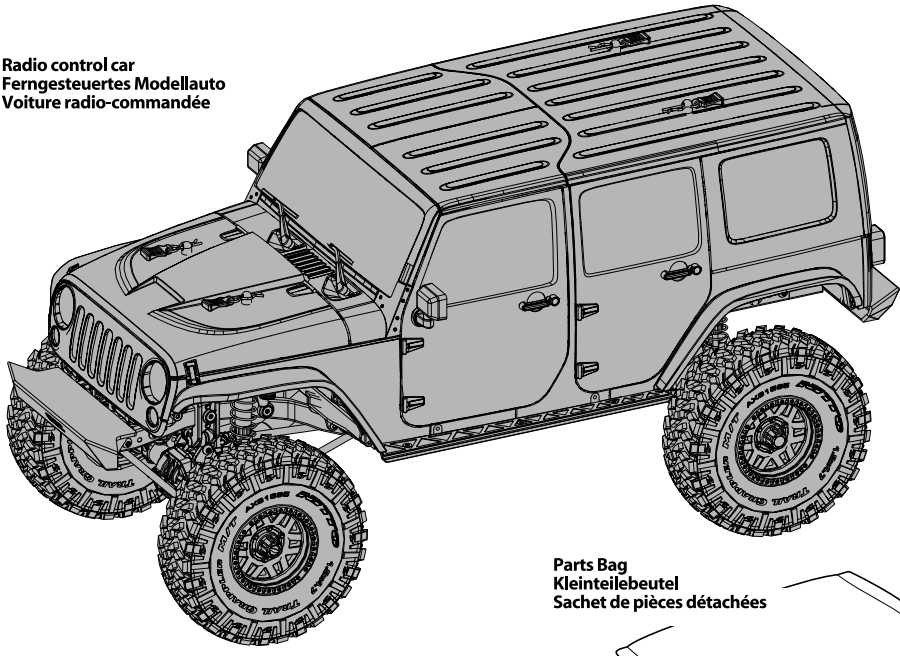
**Set to correct position.  
Satz, Position zu korrigieren  
Vérifiez la position correcte**

**Please check that the wires from ESC to motor are connected properly.  
Bitte überprüfen Sie, ob die Kabel vom Regler zum Motor richtig sitzen.  
Veuillez vérifier que les fils allant de l'ESC au moteur sont correctement raccordés.**

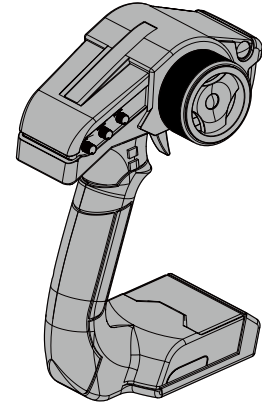
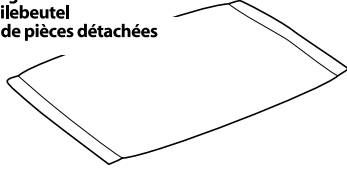
**Check to make sure motor and ESC are properly connected.  
Kontrolle sich zu vergewissern, dass Motor und ESC ordentlich verbunden sind.  
Le contrôle pour assurer que le moteur et ESC est convenablement connecté.**

**Included items / Im Baukasten enthalten / Outils inclus dans le kit**

Radio control car  
Ferngesteuertes Modellauto  
Voiture radio-commandée

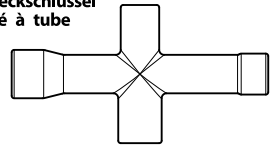


Parts Bag  
Kleinteilebeutel  
Sachet de pièces détachées

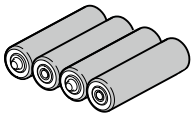


2.4GHz  
Transmitter  
Sender  
Emetteur

Cross wrench  
Steckschlüssel  
Clé à tube



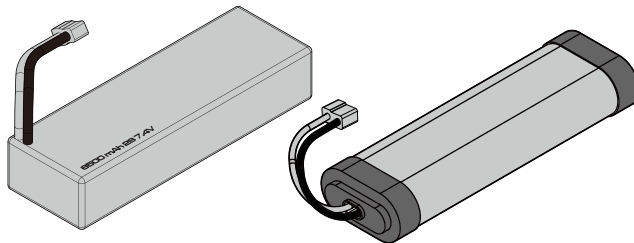
**Equipment needed / Benötigtes Zubehör / Equipement nécessaire**



x4

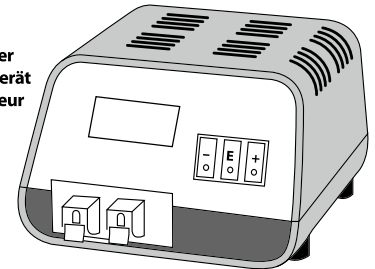
4 AA Alkaline Dry Batteries.  
4 St. AA Trockenbatterien.  
4 piles type R6 pour votre  
radio commande.

Li-Po or Ni-MH Battery Pack  
Akku-Pack  
Pack de batterie

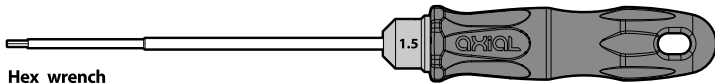


T-Style Battery Connector Required.

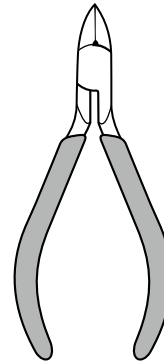
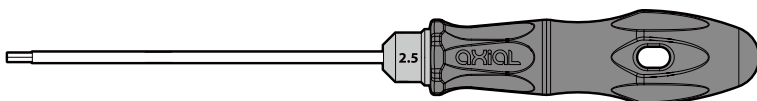
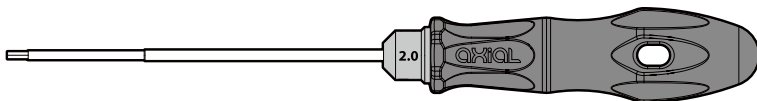
Charger  
Ladegerät  
Chargeur



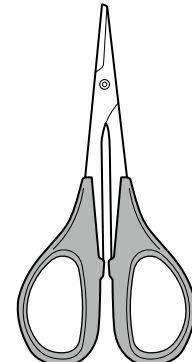
**Tools Recommended / Benötigte Werkzeuge / Outillage**



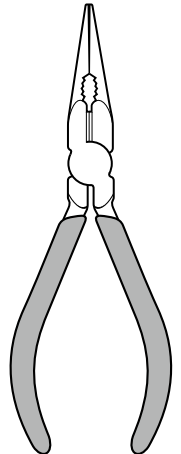
Hex wrench  
Inbusschlüssel  
Clé Allen



Side cutter  
Seitenschneider  
Pinces coupantes

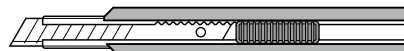


Curved scissors  
Schere  
Ciseaux

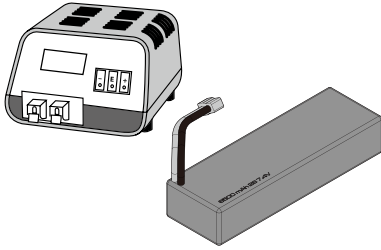


Long nose pliers  
Flachzange  
Pinces à becs longs

Modeling knife  
Modelliermesser  
Couteau de modéliste



Charge your battery / Laden des Fahrakkus / Chargement de la batterie



Follow the manufacturer's directions for the charger you purchased to properly charge your batteries.

Folgen Sie den Herstelleranweisungen für den Auflader Ihres gekauften ordentlich, Ihre Batterien zu laden.

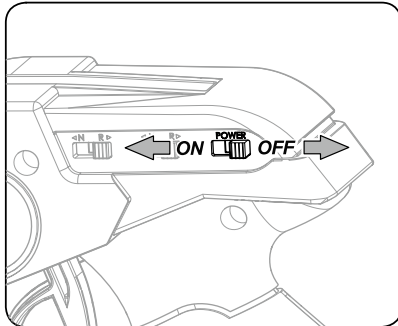
Suivre les directions de fabricants pour le chargeur votre a acheté convenablement pour charger vos piles.

**Make sure charger is correct for battery type selected for use. Examples: Do NOT charge Lipo batteries with Nickel Metal Hydride charger. Do NOT charge Nickel Cadmium batteries Lipo charger.**

Stellen Sie sicher, Ladegerät ist korrekt für Batterietyp zur Verwendung ausgewählt. Beispiele: Laden Sie keine Lipo-Akkus mit Nickel-Metall-Hydrid-Ladegerät. Laden Sie keine Nickel-Cadmium-Akkus Lipo Ladegerät.

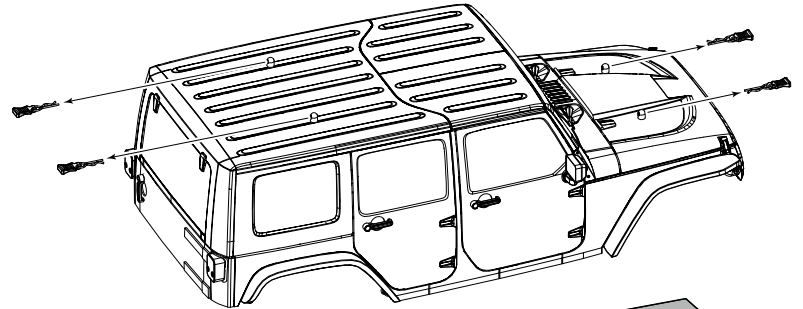
Assurez-vous que le chargeur est correcte pour le type de batterie sélectionné à l'emploi. Exemples: Ne pas charger les batteries Lipo avec chargeur hydrure métallique de nickel. Ne chargez pas les batteries au nickel-cadmium Lipo chargeur.

1. Turn on the transmitter.



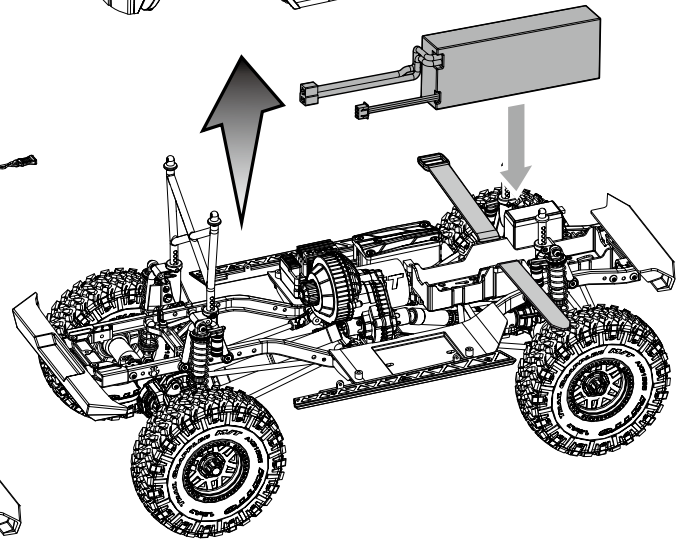
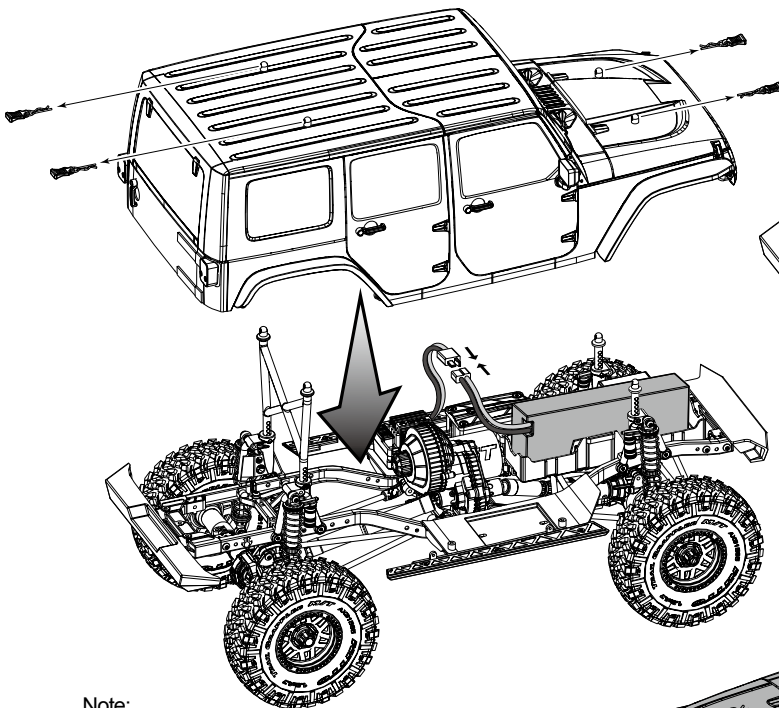
2. Remove the body clips and body.

Install the battery and secure with Hook and Loop Strap.

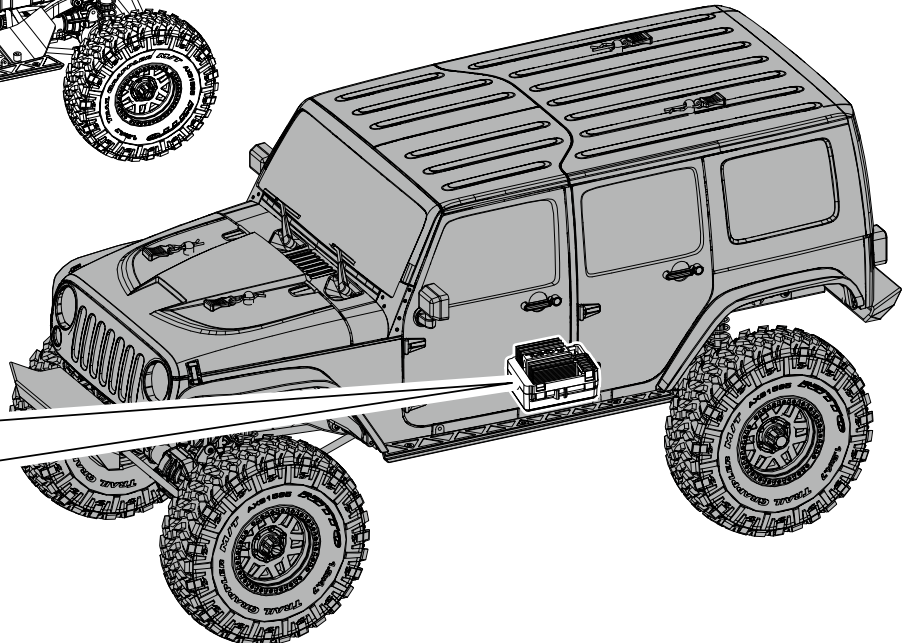
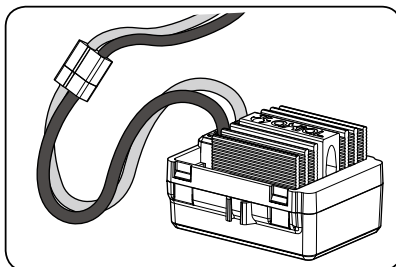


3. Connect the battery to ESC.

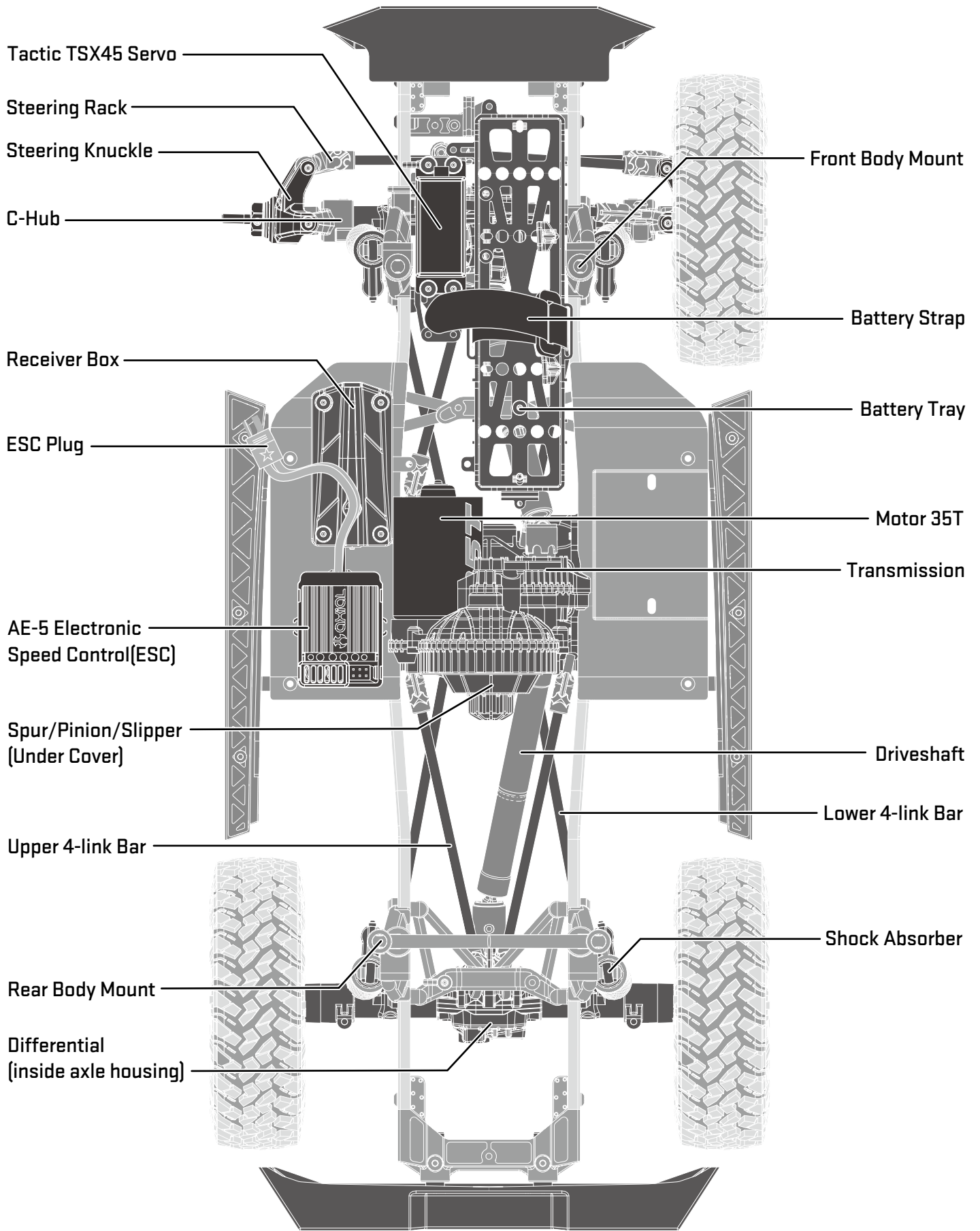
Re-attach the body with body clips.



Note:  
Power to the vehicle is controlled by connecting / disconnecting the battery. Always make sure to disconnect battery when not in use.

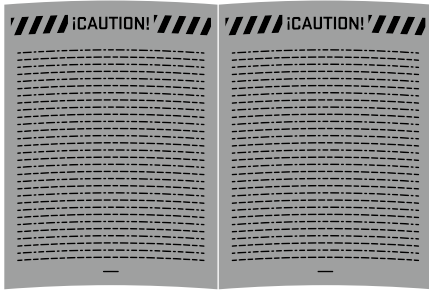


# Top View Parts

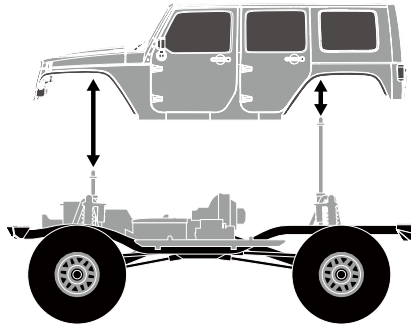


# Getting-Started Checklist

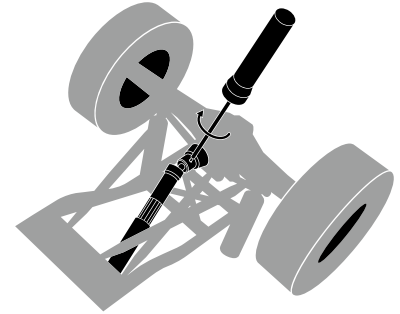
The following checklist is a guide for getting you vehicle running for the first time.



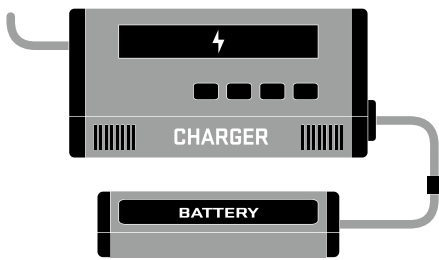
Read 'Cautions' in Manual. (Page 2)



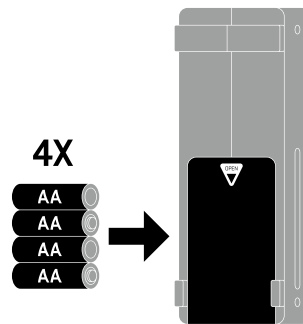
Familiarize yourself with vehicle and its components.



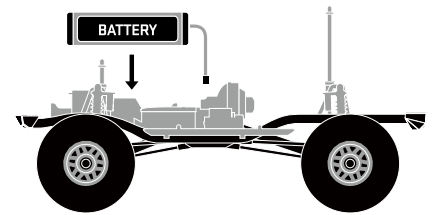
Even though the vehicle is new check driveshaft setscrews and other screws to make sure they are tight from the factory.



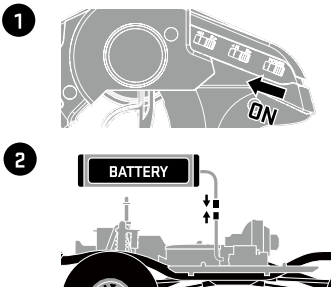
Charge battery pack. (Page 4)



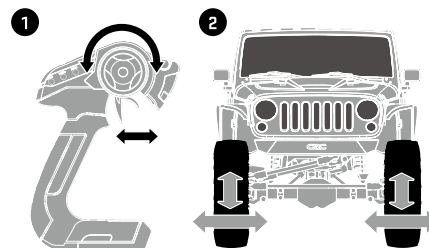
Install 4X AA batteries into Transmitter. (Page 7)



Install battery pack in vehicle. (Page 4)



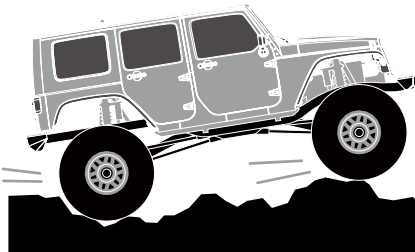
Turn on transmitter first, then plug in battery. (power ESC) (Page 4)



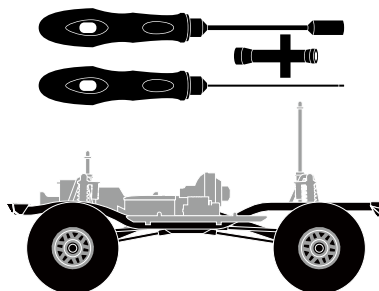
Check to make sure steering and throttle operation work correctly. (Page 7)



Range check radio system. (Page 7)



Drive vehicle, challenge yourself and have fun!



Maintain vehicle. (Page 7)



## Range-Checking Your Radio System

The radio system should be checked before operating the vehicle to ensure it's operating properly and has adequate range.



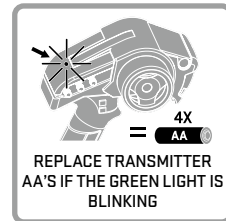
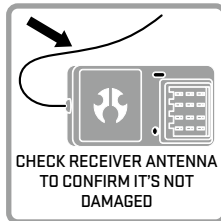
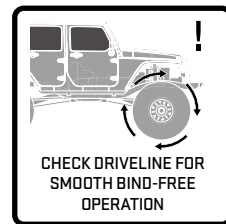
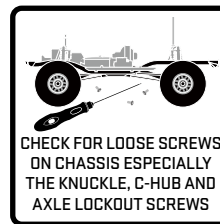
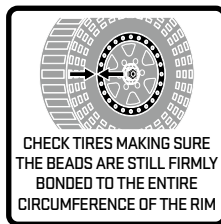
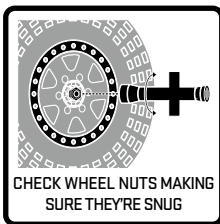
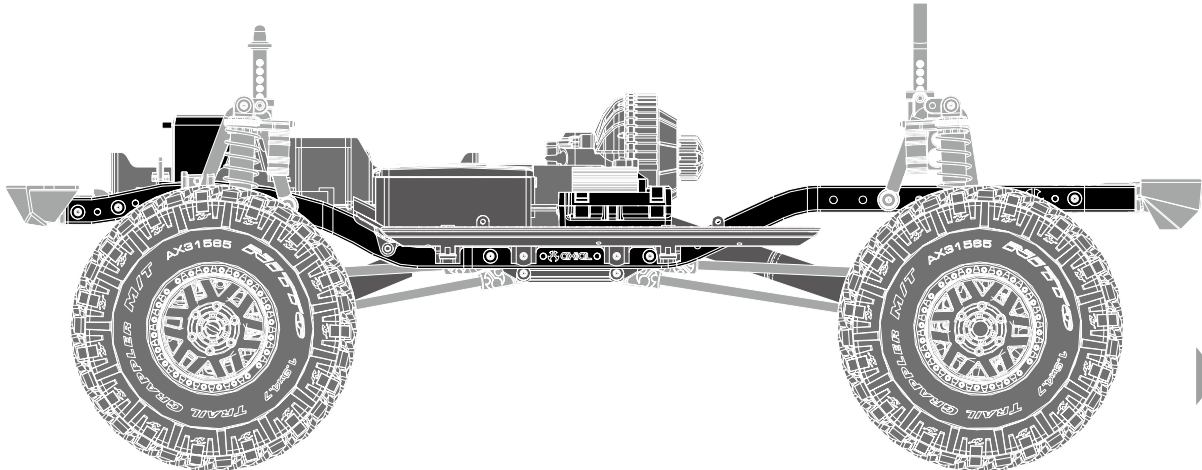
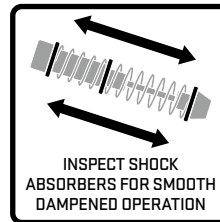
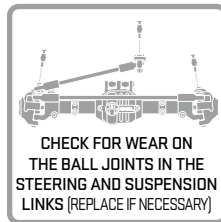
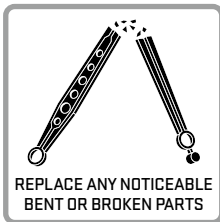
1. Turn on the transmitter and then connect the battery in the vehicle.
2. Have a friend hold the vehicle while keeping hands and loose clothing away from moving parts.
3. Walk away until you are at the farthest distance you plan to operate the vehicle.
4. Steer the vehicle back and forth and throttle both forward and reverse making sure there is no erratic behavior.
5. If any erratic behavior is exhibited do not operate the vehicle, call customer service for further assistance.



RANGE-CHECKING FOR DISTANCE

## Maintaining Your Vehicle

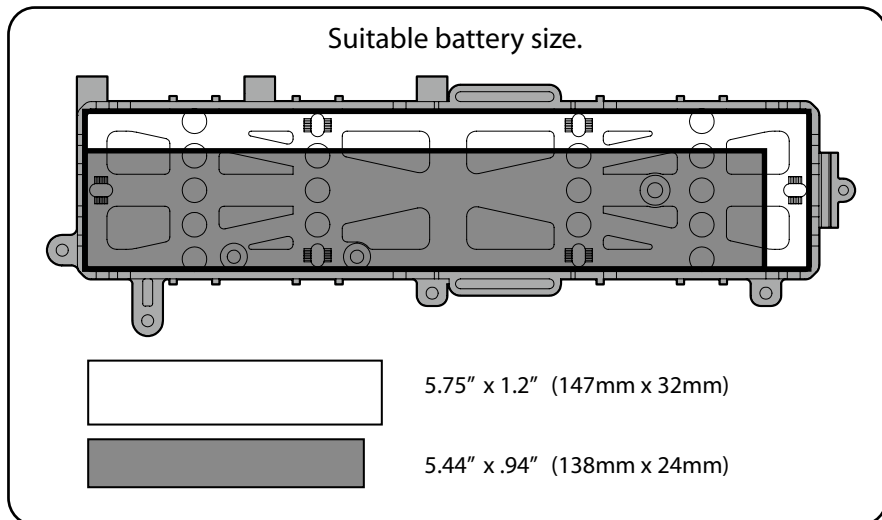
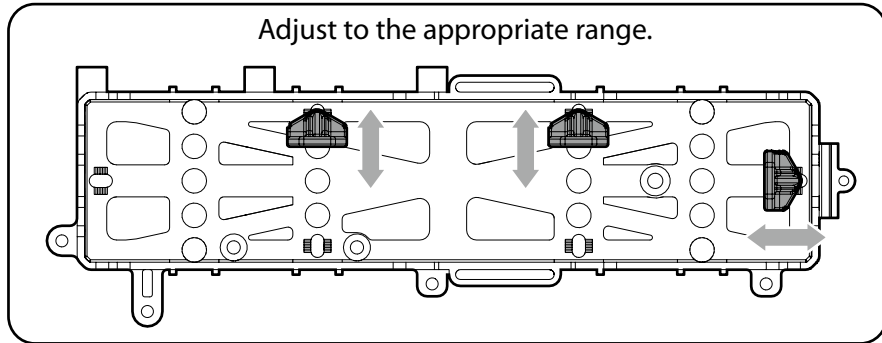
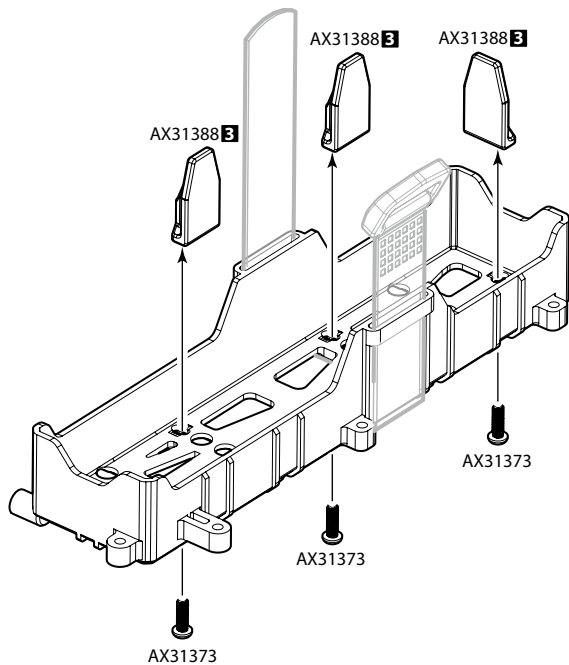
Just like a full size car or truck your RC vehicle must undergo periodic maintenance in order to ensure peak running performance. Preventative maintenance will also help avoid needless breakages which could result in costly repairs. Below are some suggestions to properly maintain your vehicle.



# Battery Tray



AX31373  
M2.6x8mm x3

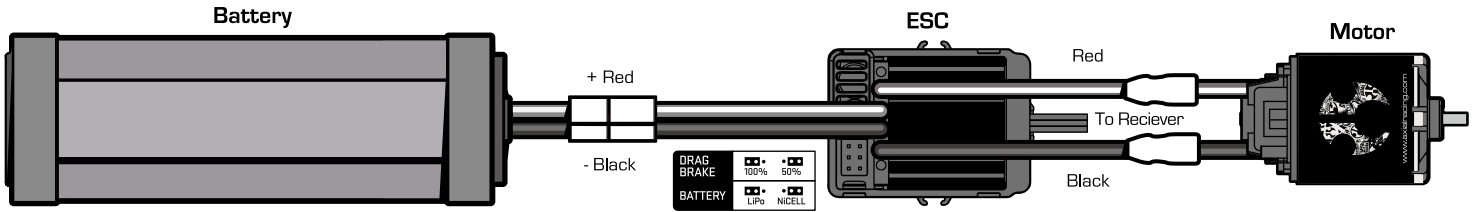


# Gear Ratio / Getriebeübersetzung

**SCX10 II Spur/Pinion Gear Ratio Chart - LCX Transmission**

Spur	12	13	14	15	16	17	18
56	45.50	42.00	39.00	36.40	34.13	32.12	30.33
60	48.75	45.00	41.79	39.00	36.56		

# AE-5L Forward/Reverse EAS w/ Drag Brake



## Setup:

Throttle calibration should not be needed out-of-the-box. However in order to make the throttle range of different transmitters, the calibration of the ESC is necessary:

- Mount the ESC in an area that is well ventilated and isolated from vibration and shock.
- Connect the ESC motor wires to the motor red-red & black-black.
- Plug the receiver with into the throttle channel on the receiver. The black negative wire should be towards the outside of the receiver.
- Before plugging the battery into the ESC, make sure your transmitter is on and the throttle trim is set at zero.
- Connect the battery to the ESC, this will turn on the ESC.
- Test forward and reverse control using the transmitter.
- To calibrate the ESC, make sure the transmitter is on and the throttle control is at neutral.
- Connect the battery to the ESC and wait 3 seconds to let the ESC initiate a self-test and automatic throttle calibration. When the ESC is ready to run a long beep sound will be emitted from the motor.
- Always disconnect the battery when the vehicle is not in use.
- Connecting the 2 LED wires to the ESC. The wires should color match.

## Notes:

- Drag Brake set to 100% from the factory.
- LiPo Cut-Off is set to "ON" from the factory.

## Specifications:

<b>Input Voltage:</b>	2-3S LiPo, 5-9 Cells NiMH/NiCd
<b>Size:</b>	46.5mm x 34mm x 28.5mm
<b>Weight:</b>	70g
<b>Motor Limit:</b>	12T 2S / 18T 3S
<b>On-Resistance FET:</b>	.002
<b>Rated/Peak Current:</b>	180A
<b>Braking Current:</b>	90A
<b>BEC Voltage/A:</b>	6.0V 3.0A Peak
<b>PWM Frequency:</b>	1KHz

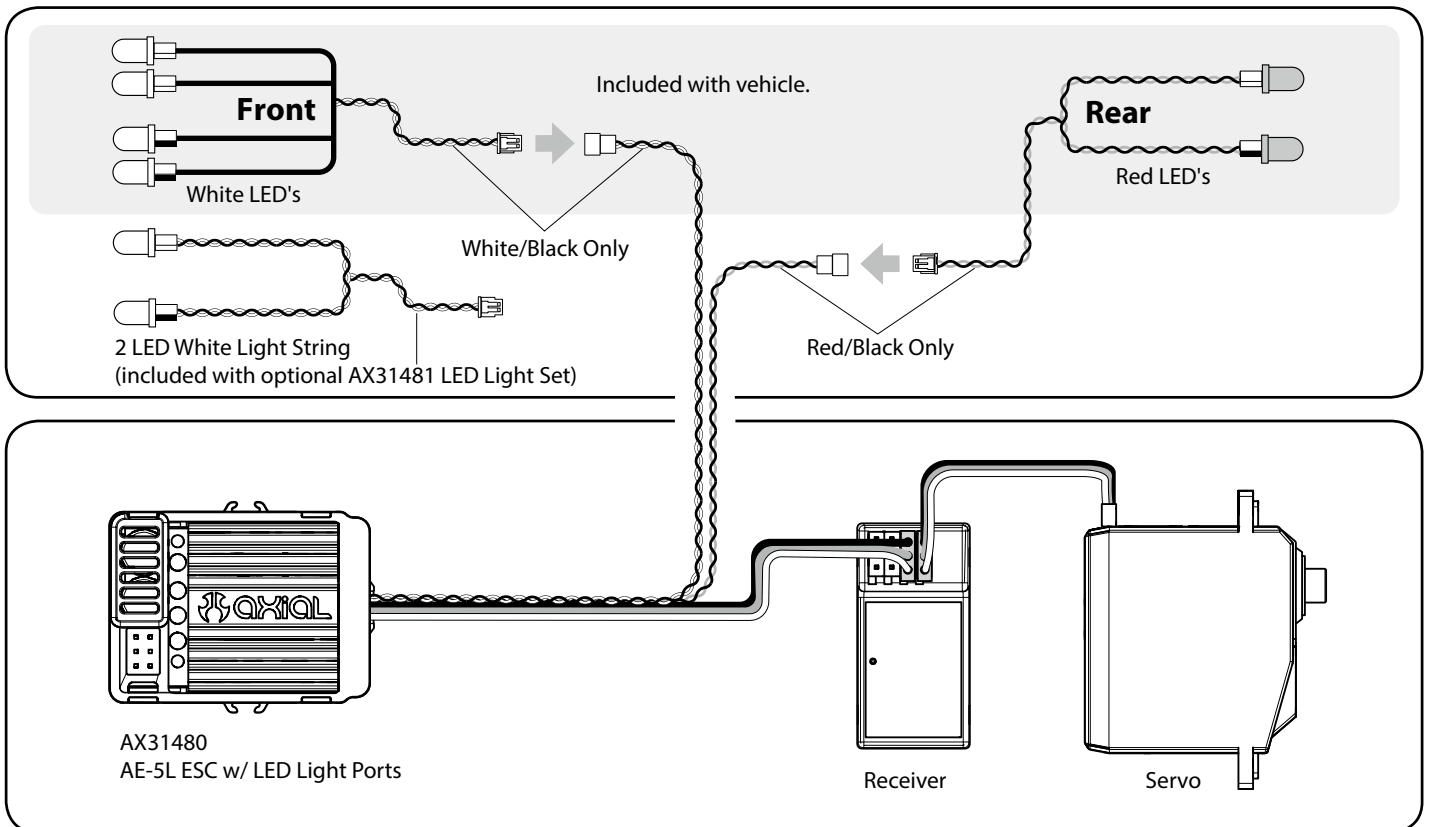
## Beep Sound and LED Status:

<b>1 Short Beep:</b>	Battery is NiMH/NiCd
<b>2 Short Beeps:</b>	Battery is 2S Lipo
<b>3 Short Beeps:</b>	Battery is 3S Lipo
<b>1 Long Beep:</b>	Self-test and throttle calibration is OK and ESC is ready to run

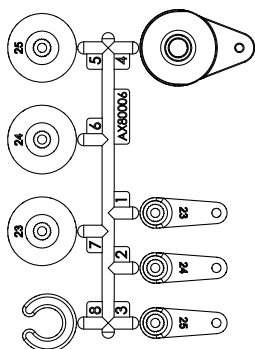


**CONNECT THE BATTERY PACK JUST BEFORE DRIVING AND DISCONNECT IT IMMEDIATELY AFTER. ALWAYS MAKE SURE YOU ARE CONNECTING THE ESC TO A PROPER POWER SOURCE THAT HAS THE CORRECT VOLTAGE & POLARITY. INCORRECT VOLTAGES OR REVERSED POLARITY WILL DAMAGE THE ESC. ONCE THE BATTERY PACK IS CONNECTED, HANDLE THE MODEL WITH EXTREME CARE, MAKE SURE YOU ARE CLEAR OF ALL ROTATING PARTS.**

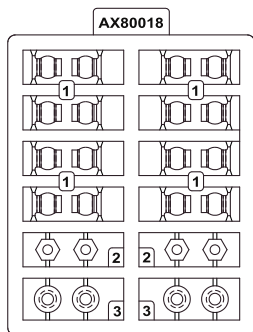
# 4 LED White & Red Light String



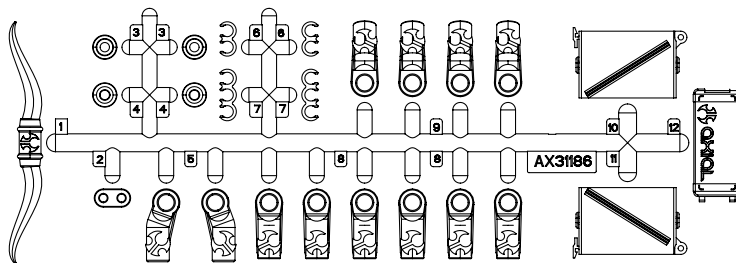
# Parts Reference / Übersicht aller Teile / Référence des pièces



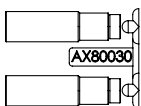
**AX80006** x1  
Servo Set



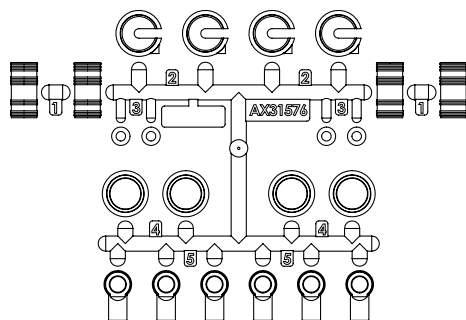
**AX80018**  
Hardware Parts Tree x2



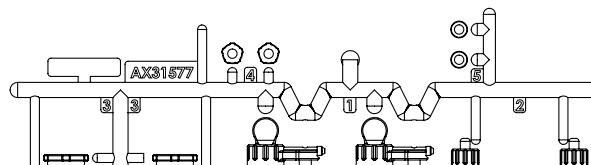
**AX31186**  
M4 Rod End Set x3



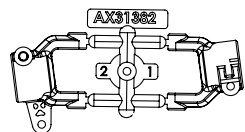
**AX80030** x2  
61-90mm Shock Body



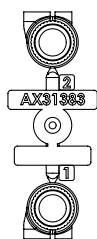
**AX31576**  
Shock Parts Tree x1



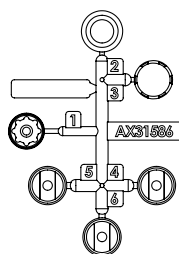
**AX31577**  
Shock Cap Parts Tree x2



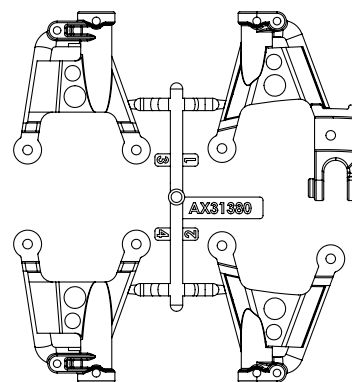
**AX31382** x1  
AR44 Knuckle Carrier



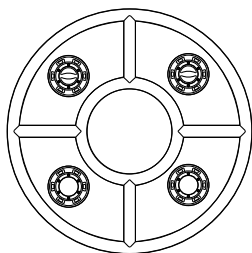
**AX31383** x1  
AR44 Straight Axle adapters



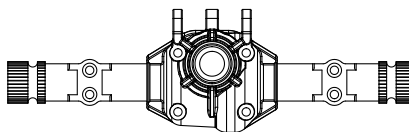
**AX31586** x2  
WB8-HD Standard Driveshaft



**AX31380** x1  
SCX10 II Shock Hoops



**AX8079** x1  
Wheel Cap



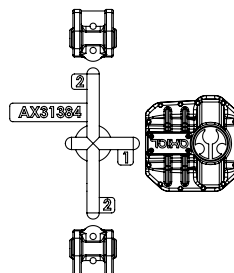
**AX31401** x2  
AR44 Axle Housing



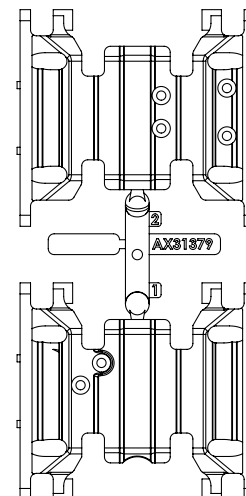
**AX31587** x4  
1.9 KMC Machete Wheel - 26mm wide



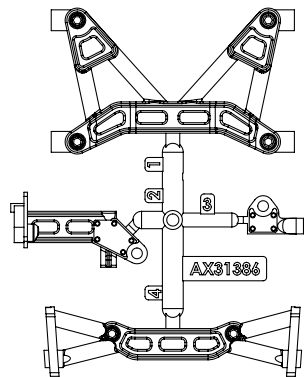
**AX31381** x1  
AR44 Steering Knuckles



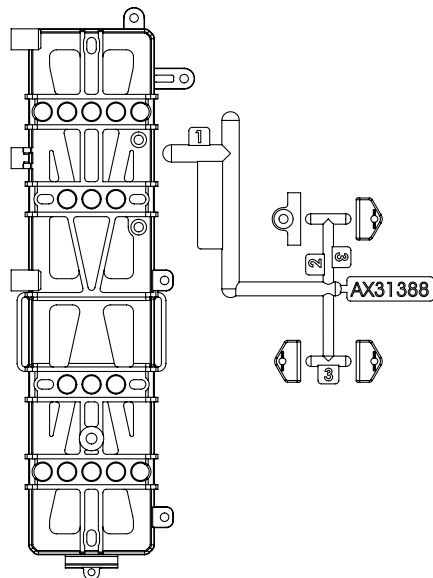
**AX31384** x2  
AR44 Differential Cover and Link Mounts (Red)



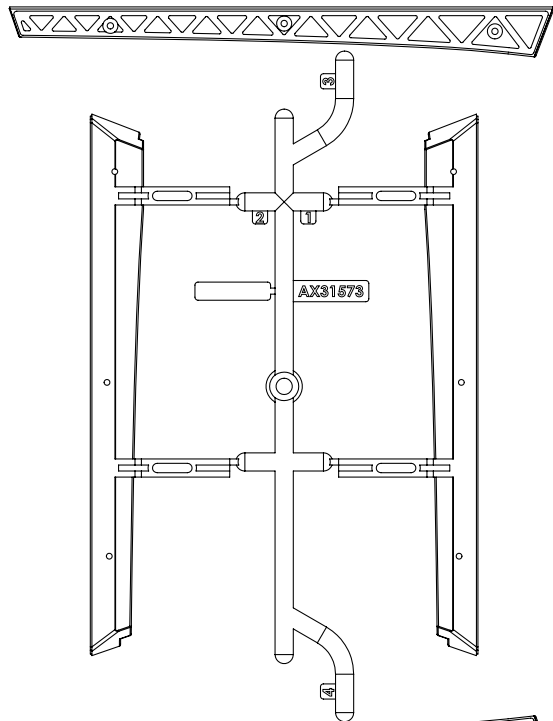
**AX31379** x1  
SCX10 II Skid Plates (Red)



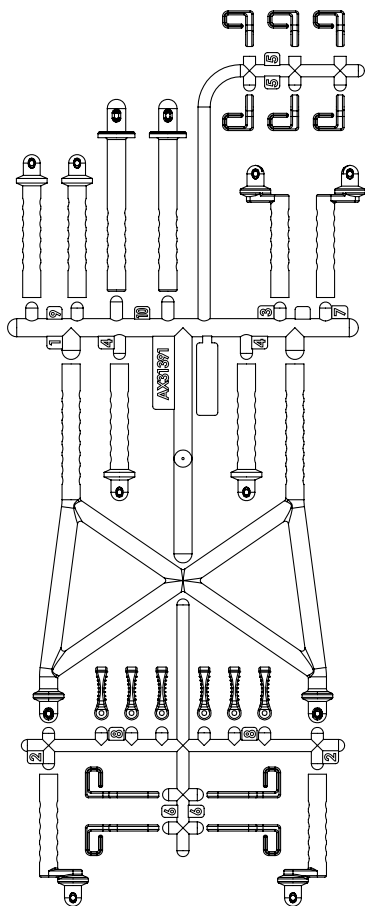
**AX31386**  
SCX10 II Frame Braces **x1**



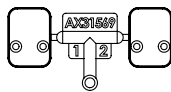
**AX31388**  
SCX10 II Battery Tray **x1**



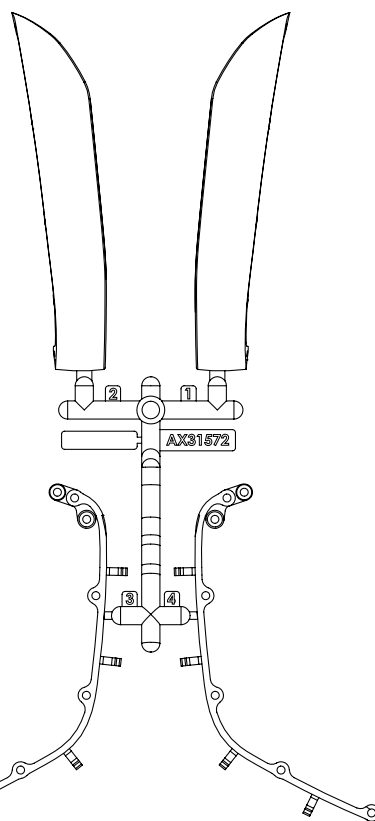
**AX31573**  
CRC JK Rock Sliders **x1**



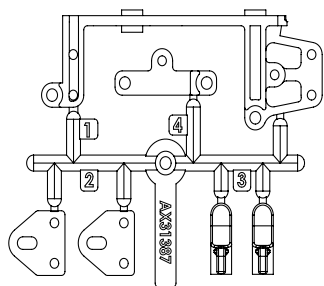
**AX31391**  
SCX10 II Body Posts **x1**



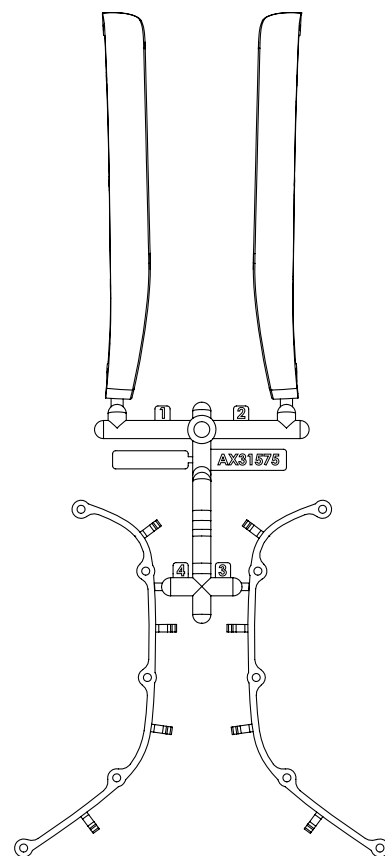
**AX31569**  
Tail Light Lens (Red) **x1**



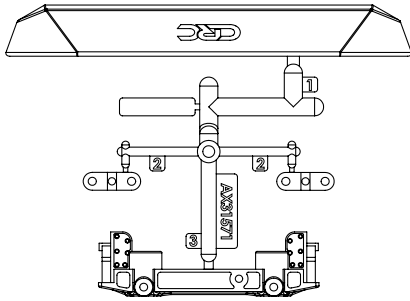
**AX31572**  
CRC Front JK Fender Flares **x1**



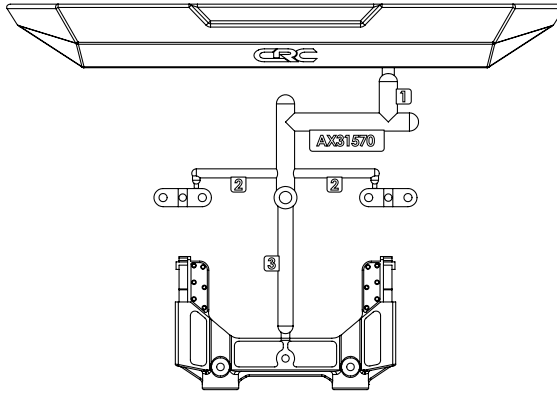
**AX31387**  
SCX10 II Servo Mounts **x1**



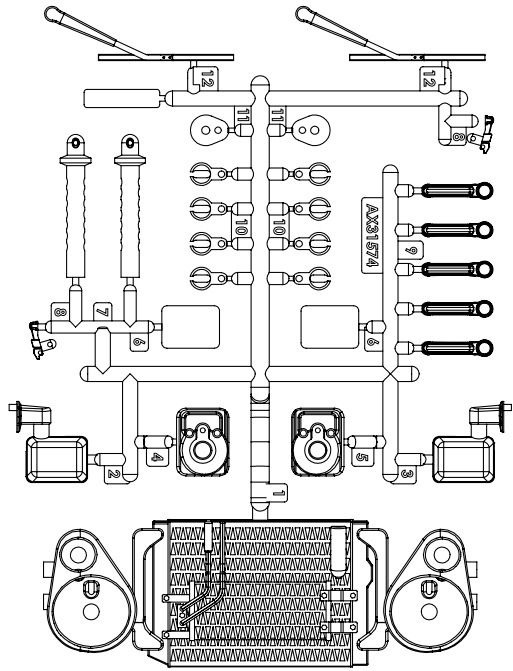
**AX31575**  
CRC JK Rear Fender Flares **x1**



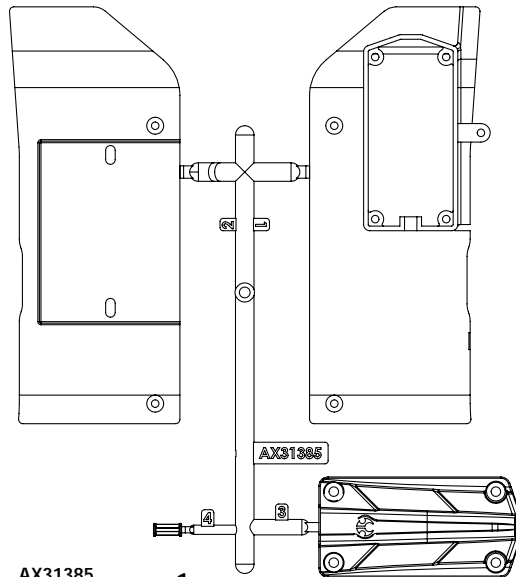
**AX31571**  
CRC JK Front Bumper **x1**



**AX31570**  
CRC JK Rear Bumper **x1**



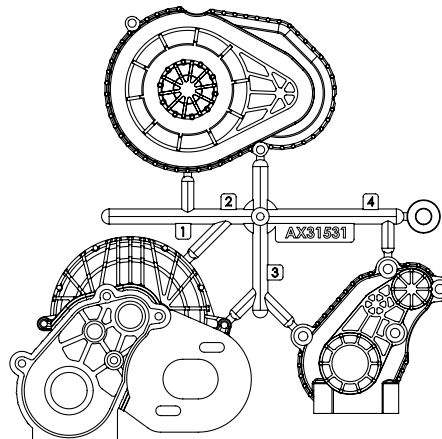
**AX31574**  
CRC JK Body Details **x1**



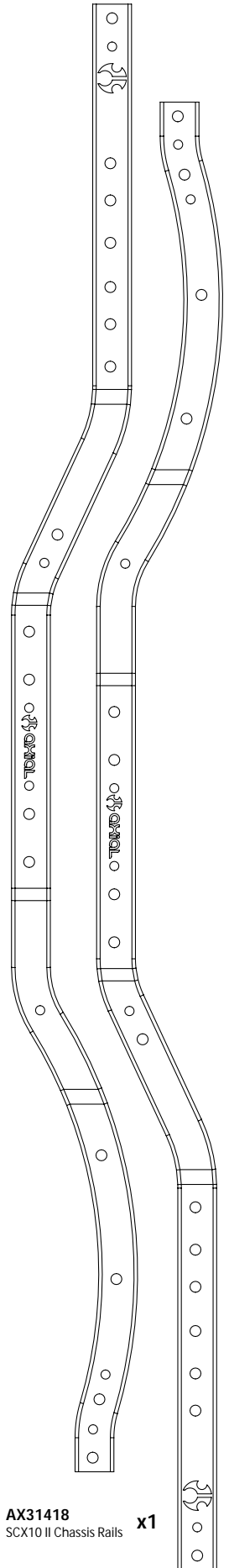
**AX31385**  
SCX10 II Side Plates **x1**



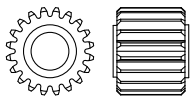
**AX31027**  
Spur Gear 32P 56T **x1**



**AX31531**  
LCX Transmission Case (Silver) **x1**



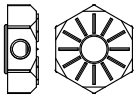
**AX31418**  
SCX10 II Chassis Rails **x1**



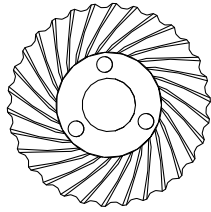
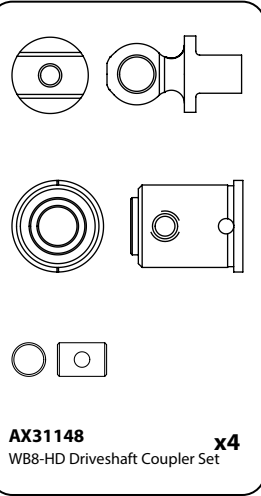
**AX30394**  
20T Drive Gear **x1**



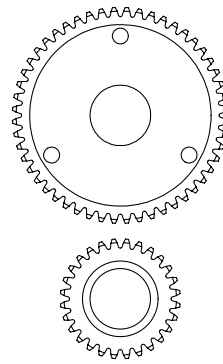
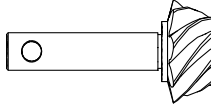
**AX30413**  
Slipper spring 8.5x12 **x1**



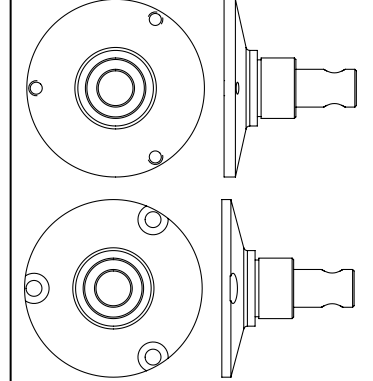
**AX31148**  
WB8-HD Driveshaft Coupler Set **x4**



**AX31405**  
Heavy Duty Bevel Gear Set  
30T/8T **x2**

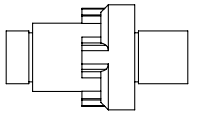


**AX31585**  
Gear Set  
(48P 28T, 48P 52T) **x1**

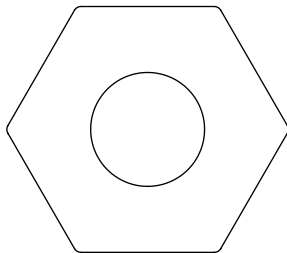


**AX30435**  
Steel Outdrive Shaft **x1**

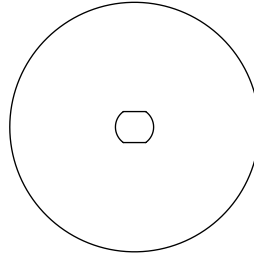
**AX30427**  
Narrow 12mm Aluminum Hub **x4**



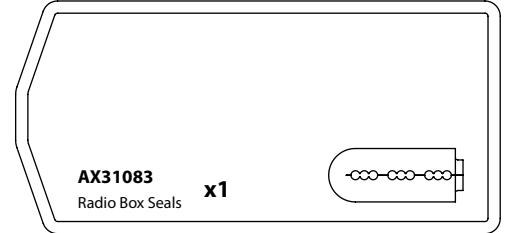
**AX31404**  
AR44 Differential Locker **x2**



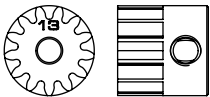
**AX31068**  
Slipper Pad **x2**



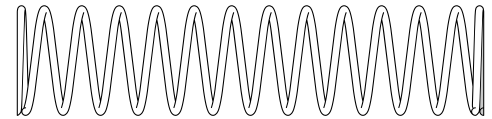
**AX31026**  
Slipper Plate **x2**



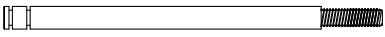
**AX31083**  
Radio Box Seals **x1**



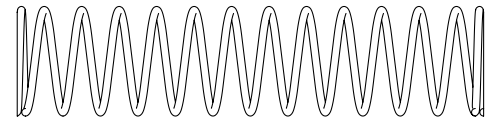
**AX30724**  
Pinion Gear 32P 13T **x1**



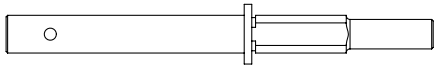
**AX31145**  
Spring 12.5x60mm 2.63 lbs/in - (Yellow) **x2**



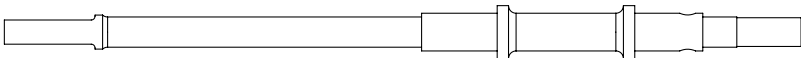
**AX30146**  
Shock Shaft 3x50mm **x4**



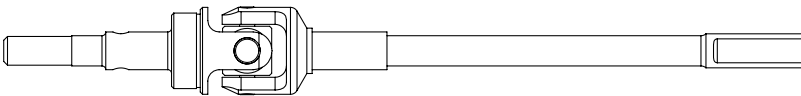
**AX31441**  
Spring 12.5x60mm 1.13 lbs/in - (White) **x2**



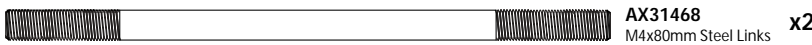
**AX31539**  
Slipper Drive Gear Shaft **x1**



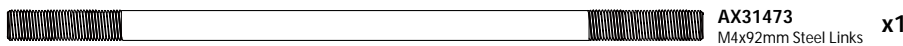
**AX31408**  
AR44 Straight Axle Shaft 5x106mm **x2**



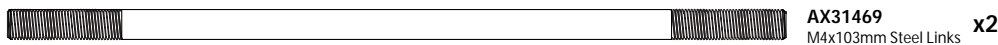
**AX31402**  
AR44 Universal Axle Set **x2**



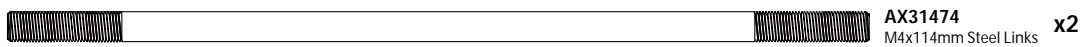
**AX31468**  
M4x80mm Steel Links **x2**



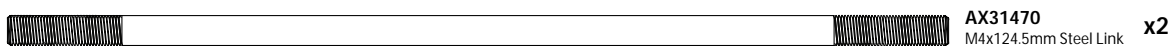
**AX31473**  
M4x92mm Steel Links **x1**



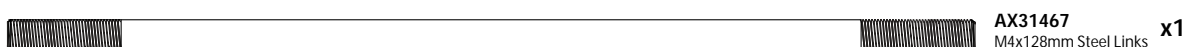
**AX31469**  
M4x103mm Steel Links **x2**





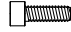






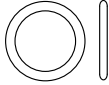
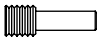

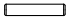


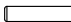





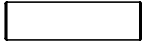





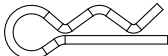







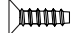
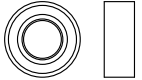



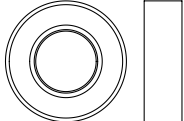
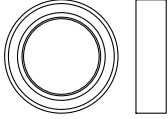

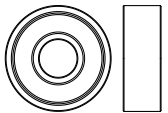
**AX31474**  
M4x114mm Steel Links **x2**



**AX31470**  
M4x124.5mm Steel Link **x2**

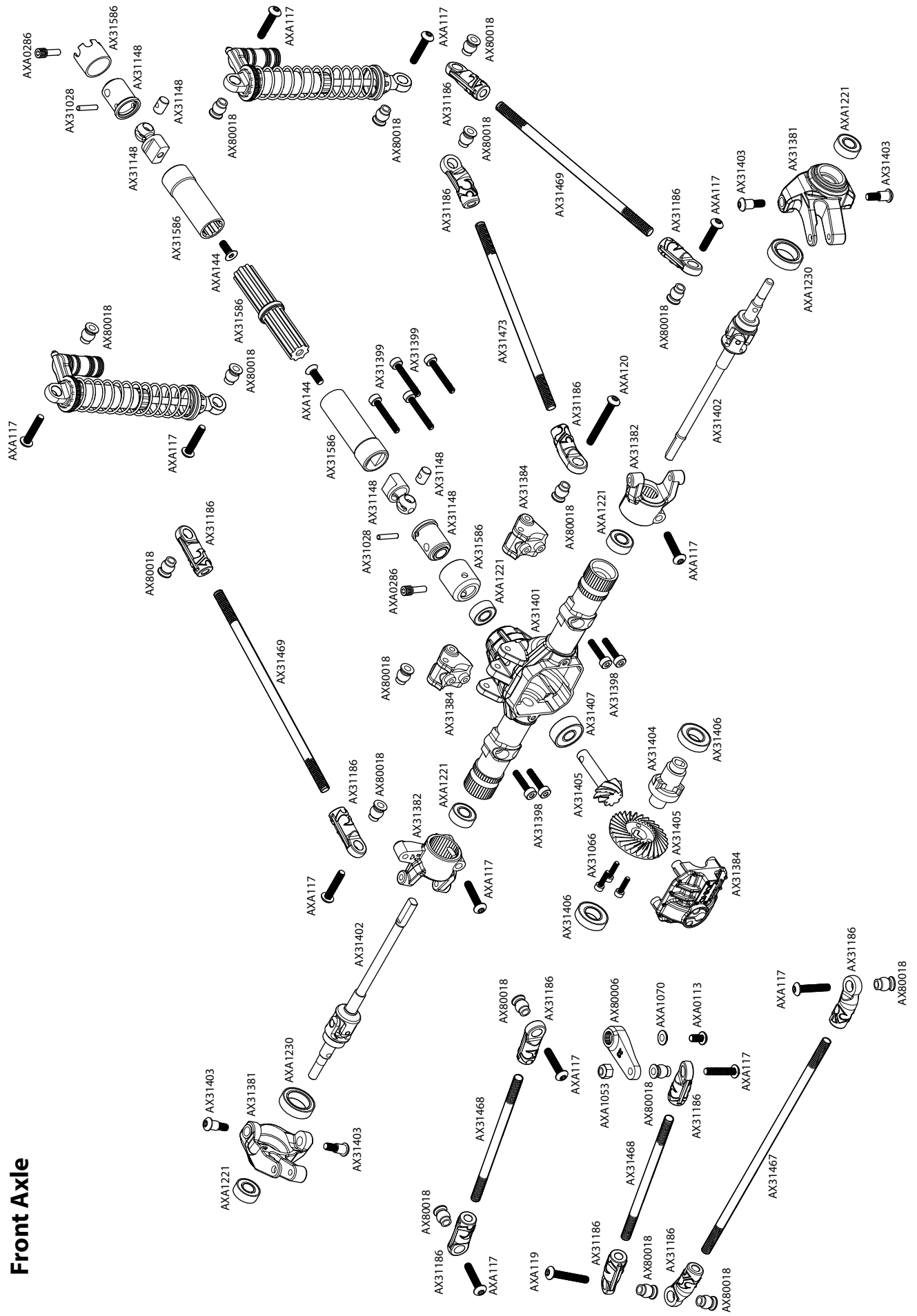


**AX31467**  
M4x128mm Steel Links **x1**

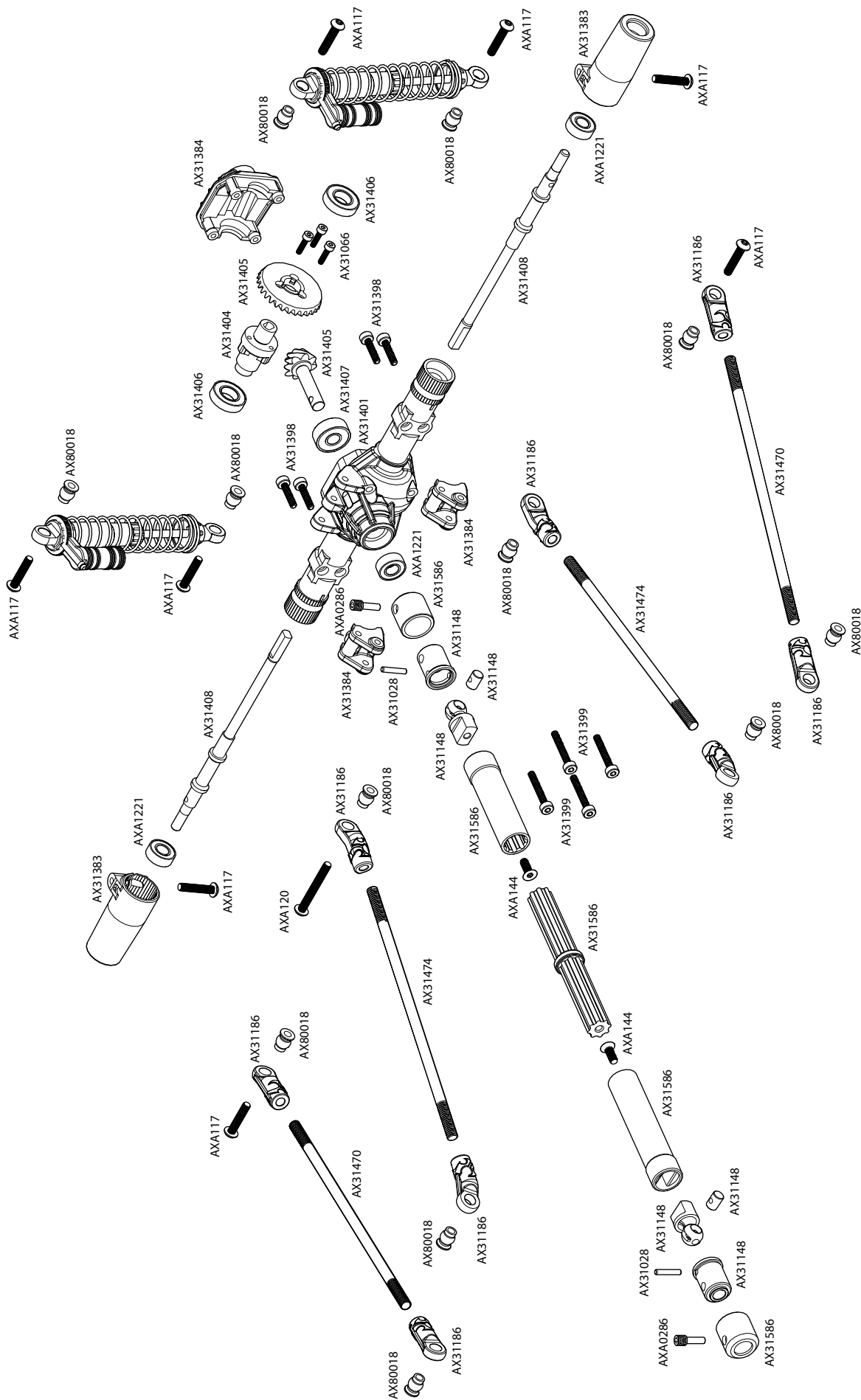
	<b>AXA1392</b> E2 e-clip	<b>x8</b>		<b>AXA180</b> M3x3mm Set Screw	<b>x4</b>		<b>AXA013</b> M2x6mm Hex Socket Cap Head	<b>x13</b>
	<b>AXA1070</b> Washer 3x6x0.5mm	<b>x1</b>		<b>AXA291</b> M4x4mm Set Screw	<b>x1</b>		<b>AX31066</b> M2x8mm Hex Socket Cap Head	<b>x6</b>
	<b>AXA1179</b> O-Ring 2.5x1.5mm	<b>x15</b>		<b>AX31403</b> M3x4x10mm Hex Socket Button Head Shoulder Screw	<b>x4</b>		<b>AXA016</b> M2x12mm Hex Socket Cap Head	<b>x4</b>
	<b>AXA1163</b> O-Ring 7x1mm	<b>x4</b>		<b>AXA0286</b> Screw Shaft M4x12mm	<b>x12</b>		<b>AXA0023</b> M2.6x8mm Cap Head	<b>x2</b>
	<b>AX30162</b> Pin 1.5x8mm	<b>x1</b>		<b>AXA0109</b> M3x10mm Oversized Flat Hex Socket	<b>x10</b>		<b>AX31398</b> M2.6x12mm Hex Socket Cap Head	<b>x8</b>
	<b>AX30163</b> Pin 2x10mm	<b>x4</b>		<b>AX31194</b> M2.6x4mm Hex Socket Button Head	<b>x2</b>		<b>AX31399</b> M2.6x18mm Hex Socket Cap Head	<b>x8</b>
	<b>AX31028</b> PIN 2.0 x11	<b>x4</b>		<b>AX31373</b> M2.6x8mm Hex Socket Button Head	<b>x27</b>		<b>AXA144</b> M3x8mm Hex Socket Flat Head	<b>x5</b>
	<b>AX30190</b> Shaft 5x18	<b>x1</b>		<b>AXA0113</b> M3x6mm Hex Socket Button Head	<b>x5</b>		<b>AX31120</b> M3x10mm Hex Socket Flat Head	<b>x4</b>
	<b>AX31374</b> 4mm Body Clip	<b>x7</b>		<b>AXA114</b> M3x8mm Hex Socket Button Head	<b>x4</b>		<b>AXA146</b> M3x12mm Hex Socket Flat Head	<b>x12</b>
	<b>AXA1059</b> 6mm Body Clip	<b>x4</b>		<b>AXA115</b> M3x10mm Hex Socket Button Head	<b>x6</b>		<b>AXA148</b> M3x18mm Hex Socket Flat Head	<b>x4</b>
	<b>AXA1053</b> M3 Nylon Lock Nut	<b>x2</b>		<b>AXA117</b> M3x15mm Hex Socket Button Head	<b>x24</b>		<b>AXA0412</b> M2.6x6mm Hex Socket Tapping Flat Head (Black)	<b>x6</b>
	<b>AXA1045</b> M4 Nylon Lock Nut	<b>x5</b>		<b>AXA118</b> M3x18mm Hex Socket Button Head	<b>x3</b>		<b>AXA0413</b> M2.6x8mm Hex Socket Tapping Flat Head	<b>x4</b>
	<b>AXA1218</b> Bearing 5x10x4mm	<b>x4</b>		<b>AXA119</b> M3x20mm Hex Socket Button Head	<b>x1</b>			
	<b>AXA1221</b> Bearing 5x11x4mm	<b>x8</b>		<b>AXA120</b> M3x25mm Hex Socket Button Head	<b>x2</b>			
	<b>AXA1225</b> Bearing 8x16x5mm	<b>x2</b>						
	<b>AXA1230</b> Bearing 10x15x4mm	<b>x2</b>						
	<b>AX31406</b> Bearing 7x14x3.5mm	<b>x4</b>						
	<b>AX31407</b> Bearing 5x14x5mm	<b>x2</b>						



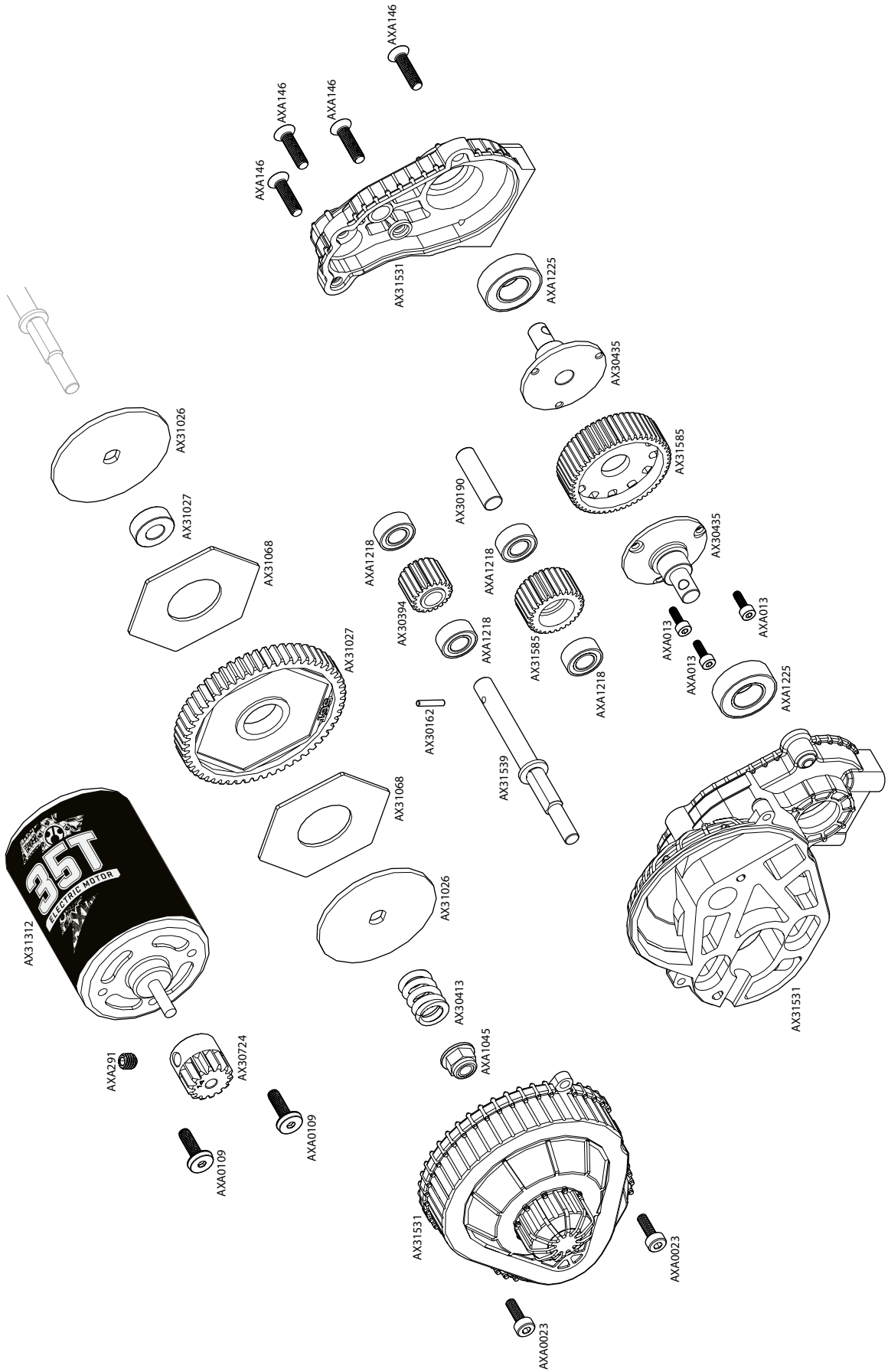
Front Axle



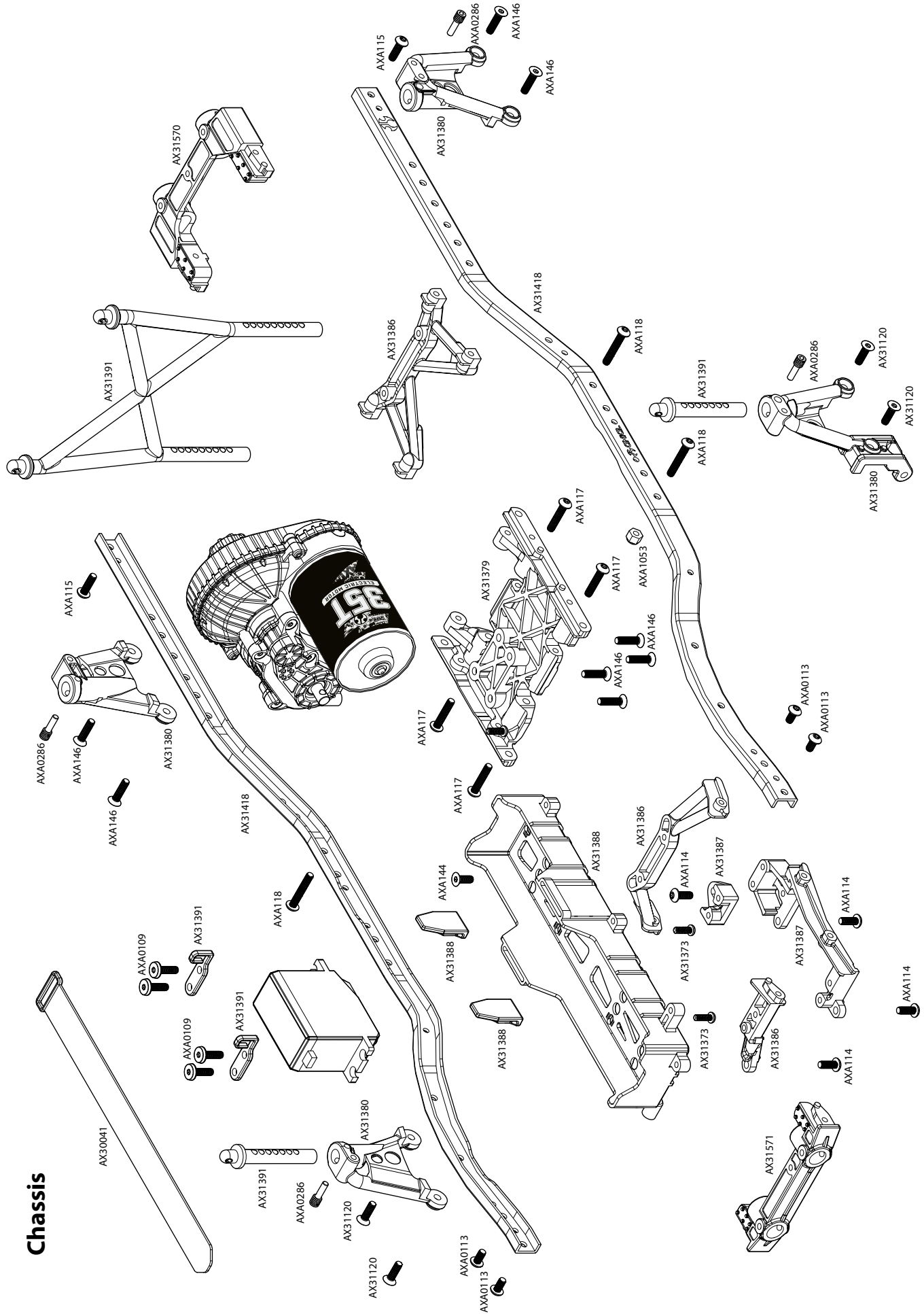
# Rear Axle



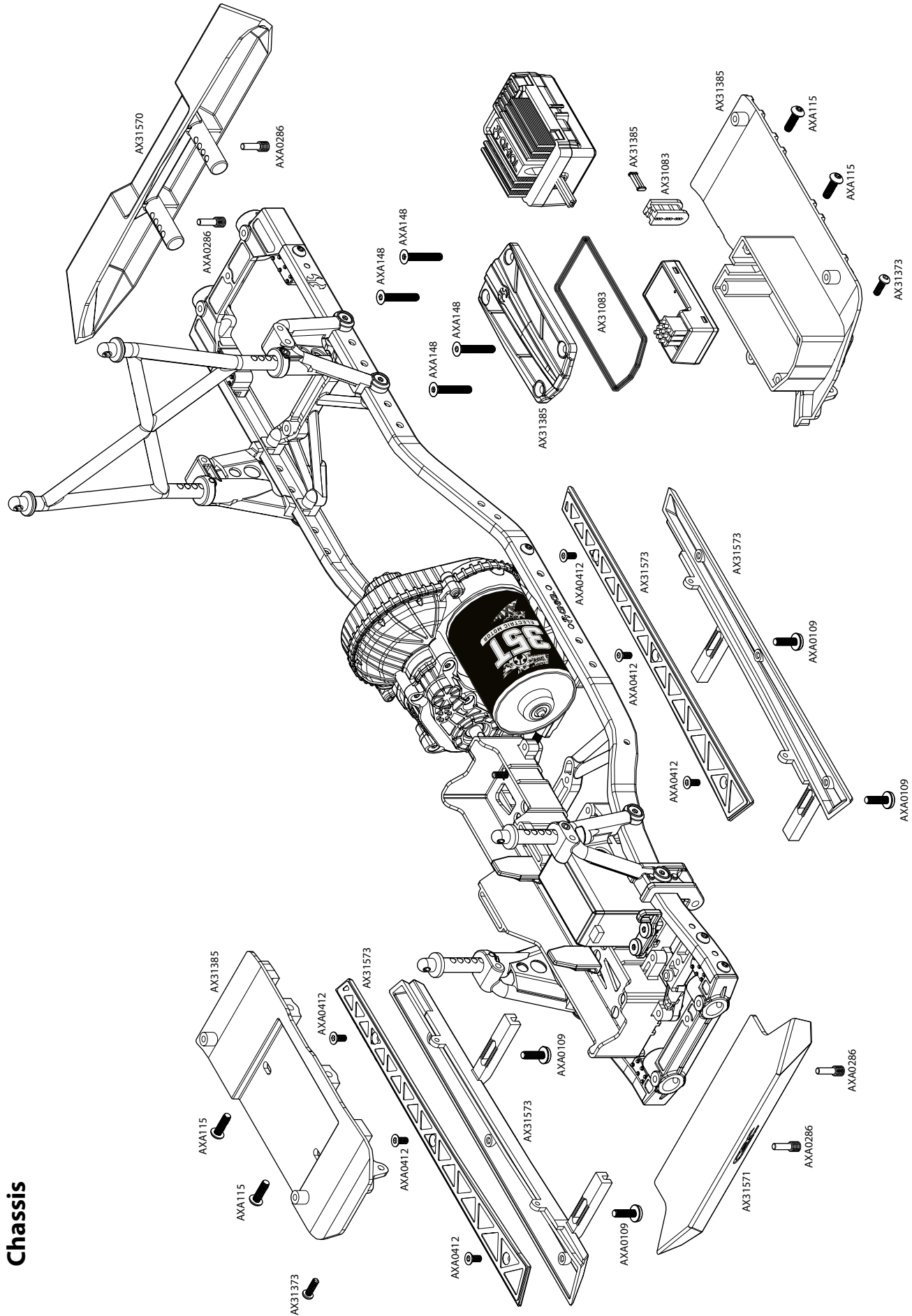
Transmission

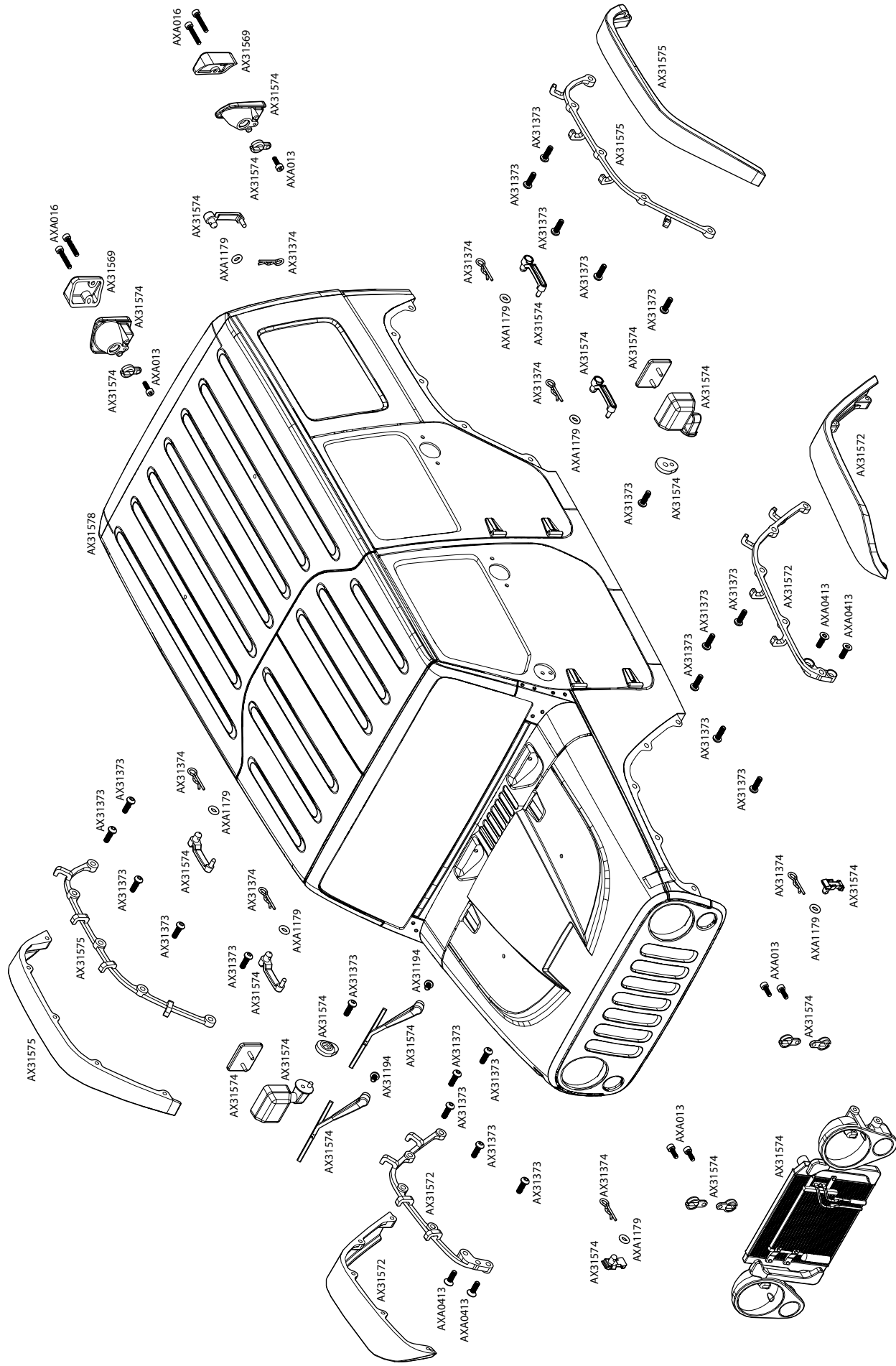


**Chassis**

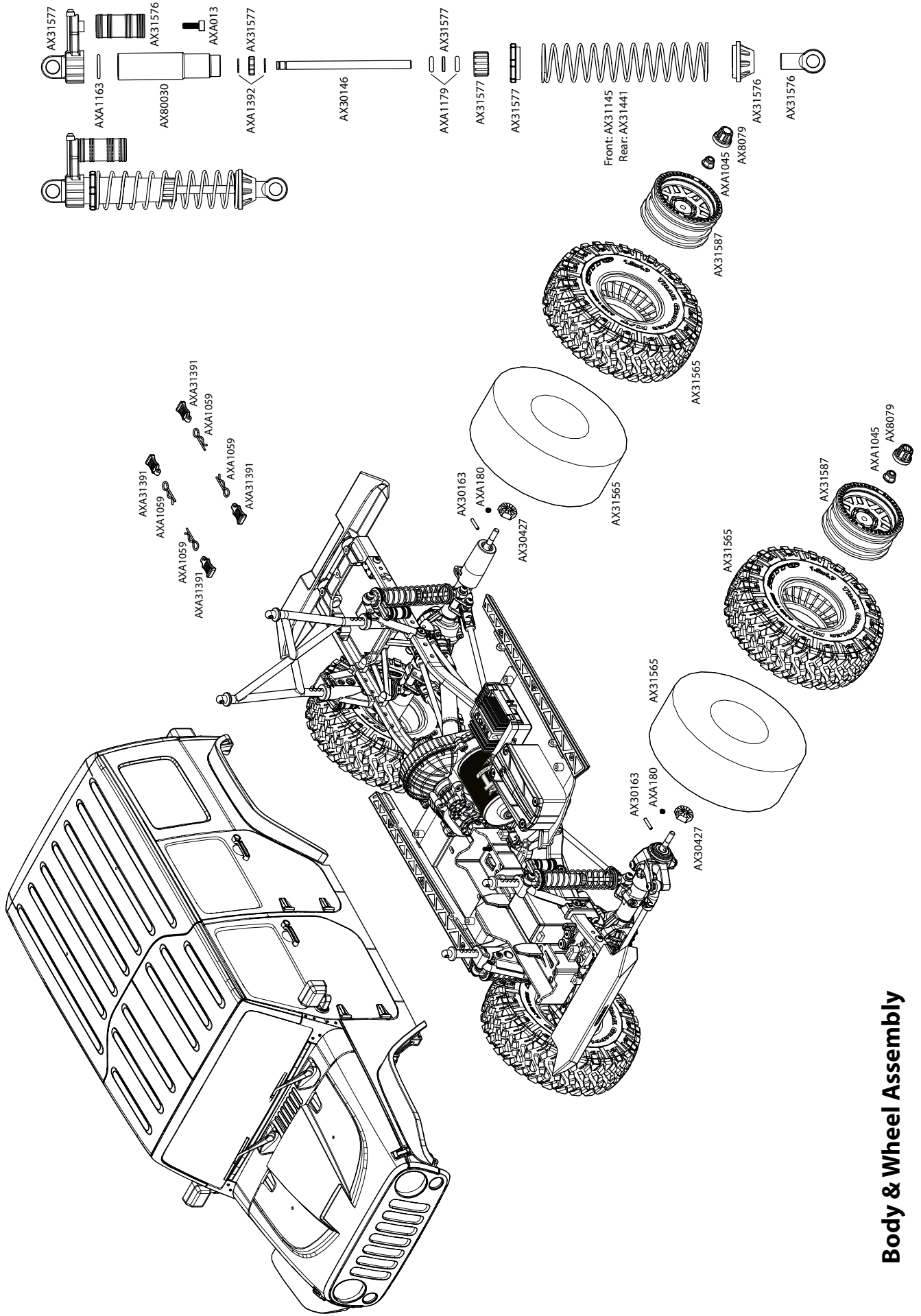


Chassis





Body & Wheel Assembly



Body & Wheel Assembly

# Details Install



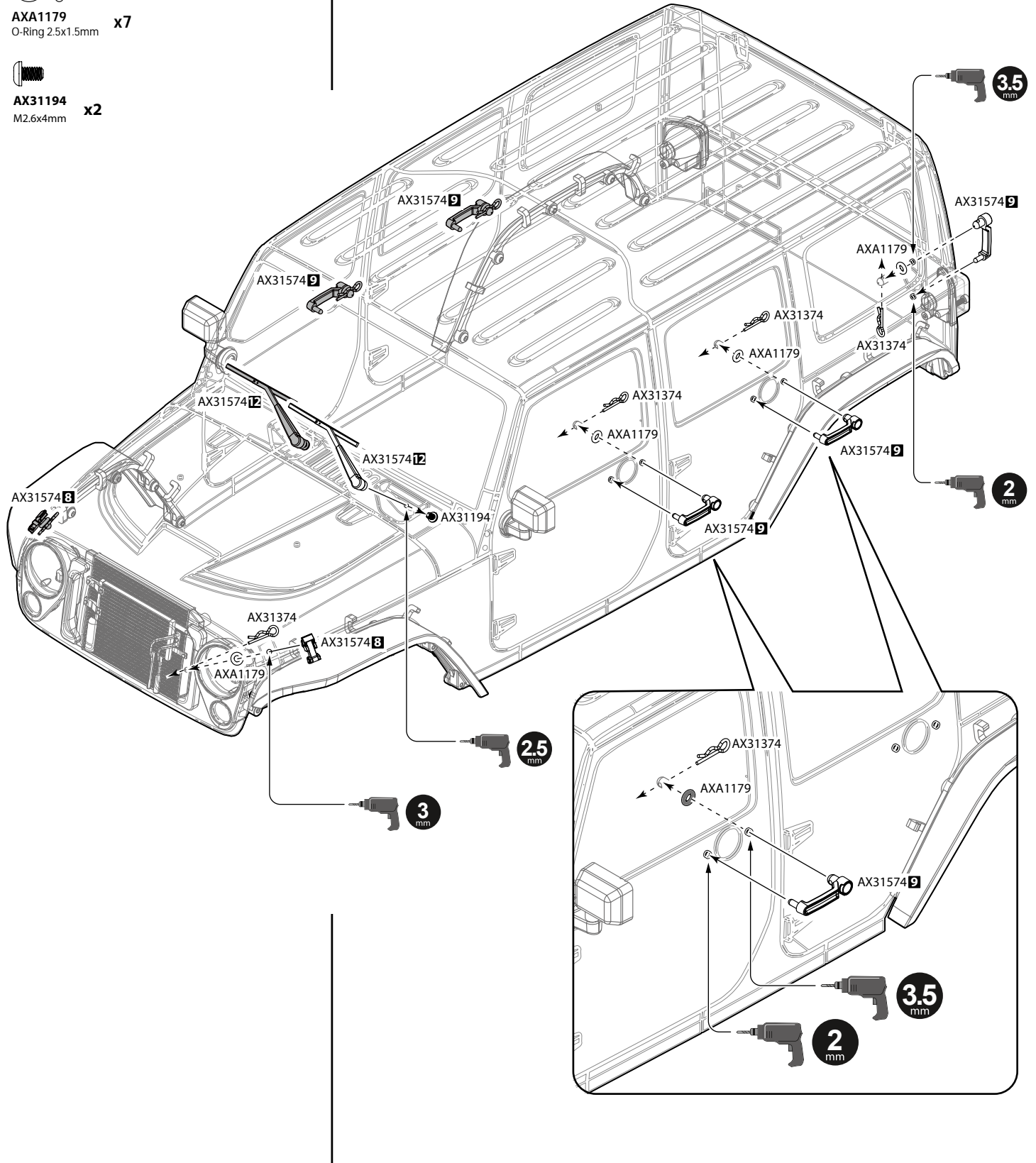
**AX31374** x7  
4mm Body Clip



**AXA1179** x7  
O-Ring 2.5x1.5mm



**AX31194** x2  
M2.6x4mm







## Parts List

Part #	Description	Part #	Description
AX30041	Hook and Loop Strap 15x160mm	AX80006	Servo Set
AX30146	Shock Shaft 3x50 (2pcs)	AX80018	Hardware Parts Tree
AX30162	Pin 1.5x8mm (6pcs.)	AX80030	61-90 Schock Body Set
AX30163	Pin 2.0x10mm (6pcs.)	AX8079	Axial Hub Cover Set - Black (4pcs)
AX30166	Pin 1.5x11mm (6pcs)	AXA0023	M2.6x8mm Cap Head (Black) (10pcs)
AX30190	Shaft 5x18 (2pcs.)	AXA0109	M3x10mm Oversized Flat Hex Socket (Black) (10pcs)
AX30394	20T Drive Gear	AXA0113	M3x6mm Hex Socket Button Head (Black) (10pcs)
AX30413	Slipper spring 8.5x12 165 lbs/in - Black (2pcs)	AXA013	M2x6 mm Cap Head (Black) (10pcs)
AX30427	Axial Narrow 12mm Aluminum Hub - Black (4pcs)	AXA016	M2x12mm Cap Head (Black) (10pcs)
AX30435	Steel Outdrive Shaft Set (2pcs)	AXA0286	Screw Shaft M4x2.5x12mm (6pcs)
AX30724	Pinion Gear 32P 13T (3mm shaft)	AXA0412	M2.6x6mm Hex Socket Tapping Flat Head (Black) (10pcs)
AX31026	Slipper Plate Washer 33x5x1.5mm (2pcs)	AXA0413	M2.6x8mm Hex Socket Tapping Flat Head (Black) (10pcs)
AX31027	Spur Gear 32P 56T	AXA1045	M4 Nylon Lock Nut (Black) (10pcs)
AX31028	Pin 2.0x11mm (6pcs)	AXA1053	M3 Nylon Locking Hex Nut (Black) (10pcs)
AX31068	Slipper Pad 32.8x15.2x1mm (2pcs)	AXA1059	6mm Body clip (Black) (10pcs)
AX31083	Radio Box Seals	AXA114	M3x8mm Hex Socket Button Head (Black) (10pcs)
AX31120	M3x10mm Hex Socket Flat Head (Black) (10pcs)	AXA115	M3x10mm Hex Socket Button Head (Black) (10pcs)
AX31145	Spring 12.5x60mm 2.63 lbs/in - Medium (Grey) (2pcs)	AXA1163	O-Ring 7x1mm (10pcs)
AX31148	WB8-HD Driveshaft Coupler Set	AXA117	M3x15mm Hex Socket Button Head (Black) (10pcs)
AX31186	M4 Rod End Set	AXA1179	O-Ring 2.5x1.5mm (10pcs)
AX31194	M2.6x4mm Hex Socket Button Head (Black) (10pcs)	AXA118	M3x18mm Hex Socket Button Head - Black (10pcs)
AX31312	35T Electric Motor	AXA119	M3x20mm Hex Socket Button Head (Black) (10pcs)
AX31373	M2.6x8mm Hex Socket Button Head (Black) (10pcs)	AXA120	M3x25mm Hex Socket Button Head (Black) (10pcs)
AX31374	3mm Body Clip (Black) (10pcs)	AXA1218	Bearing 5x10x4mm (2pcs)
AX31379	SCX10 II Skid Plates	AXA1221	Bearing 5x11x4mm (2pcs)
AX31380	SCX10 II Shock Hoops	AXA1225	Bearing 8x16x5mm (2pcs)
AX31381	AR44 Steering Knuckles	AXA1230	Bearing 10x15x4mm
AX31382	AR44 Steering Knuckle Carriers	AXA1392	E2 e-clip (10pcs)
AX31383	AR44 Straight Axle Adapters	AXA144	M3x8mm Hex Socket Flat Head (Black) (10pcs)
AX31384	AR44 Differential Cover and Link Mounts (Red)	AXA146	M3x12mm Hex Socket Flat Head - Black (10pcs)
AX31385	SCX10 II Side Plates	AXA148	M3x18mm Hex Socket Flat Head (Black) (10pcs)
AX31386	SCX10 II Frame Braces	AXA180	M3x3mm Set Screw (Black) (10pcs)
AX31387	SCX10 II Servo Mounts	AXA291	M4x4mm Set Screw (Black) (6pcs.)
AX31388	SCX10 II Battery Tray		
AX31391	SCX10 II Body Posts		
AX31398	M2.6x12mm Cap Head (Black) (10pcs)		
AX31399	M2.6x18mm Cap Head (Black) (10pcs)		
AX31401	AR44 Axle Housing		
AX31402	AR44 Universle Axle Set (2pcs)		
AX31403	M3x4x10mm Hex Socket Button Head Shoulder Screw (Black) (6pcs)		
AX31404	AR44 Differential Locker		
AX31405	Heavy Duty Bevel Gear Set - 30T/8T		
AX31406	Bearing 7x14x3.5mm (2pcs)		
AX31407	Bearing 5x14x5mm (2pcs)		
AX31408	AR44 Straight Axle Shaft 5x106mm (2pcs)		
AX31418	SCX10 II Chassis Rails (2pcs)		
AX31441	Spring 12.5x60mm 1.13 lbs/in - (White) (2pcs)		
AX31467	M4x128mm Steel Links (2pcs)		
AX31468	M4x80mm Steel Links (2pcs)		
AX31469	M4x103mm Steel Links (2pcs)		
AX31470	M4x124.5mm Steel Links (2pcs)		
AX31473	M4x92mm Steel Links (2pcs)		
AX31474	M4x114mm Steel Links (2pcs)		
AX31480	AE-5L ESC w/LED Ports and Lights (2 White, 4 White, 2 Red)		
AX31481	AE-5L LED Light Set (2 White, 4 White, 2 Red)		
AX31531	LCX Transmission Case (Silver)		
AX31539	Slipper Drive Gear Shaft 5x56.5mm		
AX31565	1.9 Nitto Trail Grappler M/T - R35 Compound (2pcs)		
AX31569	Tail Light Lens (Red)		
AX31570	CRC JK Rear Bumper		
AX31571	CRC JK Front Bumper		
AX31572	CRC JK Front Fender Flares		
AX31573	CRC JK Rock Sliders		
AX31574	CRC JK Body Details		
AX31575	CRC JK Rear Fender Flares		
AX31576	Shock Parts		
AX31577	Shock Caps		
AX31578	2017 Jeep® Wrangler Unlimited Rubicon Hardtop Body-.050" (Clear)-Complete		
AX31585	Gear Set (48P 28T, 48P 52T)		
AX31586	WB8-HD Standard Driveshaft		
AX31587	1.9 KMC XD Machete Crawl Wheels - Black (2pcs)		

## Option Parts

Part #	Description	Part #	Description
AX04032	AX10 Ridgcrest Body - .040" (Clear)	AX31437	AR44 Differential Cover and Link Mounts (Black)
AX04033	2012 Jeep Wrangler Unlimited Rubicon™ Body - .040" (Clear) - Body Only	AX31442	Spring 12.5x60mm 3.03 lbs/in - (Blue) (2pcs)
AX04034	2012 Jeep Wrangler Unlimited Rubicon™ Roof - .040" (Clear)	AX31443	Spring 12.5x60mm 1.70 lbs/in - (Green) (2pcs)
AX04035	2012 Jeep Wrangler Unlimited Rubicon™ Body - .040" (Clear) - Complete	AX31444	Spring 12.5x60mm 0.70 lbs/in - (Red) (2pcs)
AX04036	Jeep® Wrangler Rock Racer Body - .040" (Clear) - Body Only	AX4010	Axial Dingo Truck Body - .040" uncut (Clear)
AX04037	AX10 Deadbolt Body - .040" (Clear) - Body Only	AX4010R	Axial Dingo Truck Body - .040" uncut (Clear) - Body Only
AX04038	1.9 Walker Evans Street Wheel - Black (2pcs)	AX4025	Axial Trail Honcho Truck Body - .040" uncut (Clear) w/Molded Rear Cage
AX04039	1.9 Walker Evans Street Wheel - Chrome/Black (2pcs)	AX4025R	Axial Trail Honcho Truck Body - .040" uncut (Clear) - Body Only
AX04040	1.9 Ripsaw Tires - R35 Compound (2pcs)	AX80037	Interior Details Parts Tree - Black
AX04041	1.9 Maxxis Trepador Tires - R35 Compound (2pcs)	AX80038	Exterior Detail Parts Tree - Black
AX04042	20T Electric Motor	AX80039A	1/10th Scale Front Plate Bumper Set
AX24007	Axial 55T Electric Motor	AX80039B	1/10th Scale Rear Plate Bumper Set
AX24251	Axial NVS - Night Visions System	AX80040	1/10th Scale Fender Flare Set (2pcs)
AX24252	Axial Double LED Light String (White LED)	AX80041	1/10th Scale Rock Rails Set (2pcs)
AX24253	Axial Double LED Light String (Red LED)	AX80044	Axial SCX10 Tube Bumper Parts Tree
AX24254	Axial Double LED Light String (Orange LED)	AX80045	Axial Light Bucket Set (Black)
AX24255	Axial Single LED Light String (White LED)	AX80047	Interior Details Parts Tree - Chrome
AX24256	Axial 5 LED Light String (White LED)	AX80048	Exterior Detail Parts Tree - Chrome
AX24257	Simple LED Controller w/LED lights (4 white and 2 Red)	AX80049	Axial LED Lens Set - Yellow/Clear (4pcs)
AX24258	4 LED Light String (White LED)	AX80085	Universal Mount 5 Bucket Light Bar (Black)
AX24259	Axial AE-2 Forward/Reverse ESC w/ Drag Brake	AX80086	Light Bar Lenses (Clear) (5pcs)
AX24260	AE-3 Vanguard ESC	AX80115	Light Bar Lens Grills (Axial, PIAA, Un-Marked)
AX30090	Axial 61-90mm Aluminum Shock Set - 7mm Piston (2pcs)	AX8080	Axial Hub Cover Set - Satin Chrome (4pcs)
AX30103	Icon 61-90mm Aluminum Shock Set - 7mm piston (2pcs)	AX8087	Axial 1.9 8 Hole Beadlocks - Black (2pcs)
AX30114	Axial Hard Anodized Aluminum Shock Reservoir (2pcs)	AX8088	Axial 1.9 8 Hole Beadlocks - Satin Chrome (2pcs)
AX30115	Axial Hard Anodized Aluminum Pre-load collar (2pcs)	AX8122	Axial 1.9 Beadlock Ring - Grey (2pcs)
AX30117	Axial Hard Anodized Aluminum Shock Body 10x38mm (2pcs)	AX8127	Axial 1.9 Rock Beadlock Ring - Grey (2pcs)
AX30130	Icon Clear Anodized Aluminum Shock Body 10x38mm (2pcs)	AXA1046	M4 Serrated Nylon Lock Nut (Blue) (4pcs)
AX30131	Icon Clear Anodized Aluminum Shock Reservoir (2pcs)	AXA1101	Cone Washer 3x6.9x2mm (6pcs)
AX30132	Machined Shock Piston 7mm - 1.5x3 (4pcs)	AXA1104	Cone Washer 3x6.9x2mm - Orange (6pcs)
AX30200	Spring 12.5x20mm 3.6 lbs/in - Super Soft (Red) - (2pcs)	AXA1105	Cone Washer 3x6.9x2mm - Grey (6pcs)
AX30201	Spring 12.5x20mm 4.32 lbs/in - Soft (White) - (2pcs)	AXA1331	Flanged Ball 3x5.8x7mm (6pcs)
AX30202	Spring 12.5x20mm 5.44 lbs/in - Medium (Green) - (2pcs)	AXA1412	0.5x6mm Spacer - Grey (6pcs)
AX30203	Spring 12.5x20mm 6.53 lbs/in - Firm (Yellow) - (2pcs)	AXA1413	1x6mm Spacer - Grey (6pcs)
AX30204	Spring 12.5x20mm 7.95 lbs/in - Super Firm (Blue) - (2pcs)	AXA1414	2x6mm Spacer - Grey (6pcs)
AX30205	Spring 12.5x40mm 2.7 lbs/in - Super Soft (Red) - (2pcs)	AXA1415	3x6mm Spacer - Grey (6pcs)
AX30206	Spring 12.5x40mm 3.6 lbs/in - Soft (White) - (2pcs)	AXA1416	4x6mm Spacer - Grey (6pcs)
AX30207	Spring 12.5x40mm 4.08 lbs/in - Medium (Green) - (2pcs)	AXA1417	5x6mm Spacer - Grey (6pcs)
AX30208	Spring 12.5x40mm 5.44 lbs/in - Firm (Yellow) - (2pcs)	AXA1418	6x6mm Spacer - Grey (6pcs)
AX30209	Spring 12.5x40mm 6.81 lbs/in - Super Firm (Blue) - (2pcs)	AXA1419	7x10mm Post - Grey (2pcs)
AX30487	AX10 Locked Transmission Set	AXA1420	7x15mm Post - Grey (2pcs)
AX30547	1.9 Internal Wheel Weight Ring 43g/1.5oz (2pcs)	AXA1421	7x20mm Post - Grey (2pcs)
AX30548	1.9 Internal Wheel Weight Insert 9g/0.33oz (4pcs) (for use with AX30547)	AXA1422	7x25mm Post - Grey (2pcs)
AX30709	Universal 5 Bucket Light Bar Set	AXA1423	7x30mm Post - Grey (2pcs)
AX30834	Aluminum Servo Horn 23T	AXA1424	7x35mm Post - Grey (2pcs)
AX30835	Aluminum Servo Horn 24T	AXA1425	7x40mm Post - Grey (2pcs)
AX30836	Aluminum Servo Horn 25T	AXA1426	7x45mm Post - Grey (2pcs)
AX31047	Brushless 3150KV Electric Motor	AXA1427	7x50mm Post - Grey (2pcs)
AX31093	1.9 BFGoodrich Krawler T/A - R35 Compound (2pcs)	AXA1428	7x55mm Post - Grey (2pcs)
AX31094	1.9 Black Rock CRC Wheels - Black (2pcs)	AXA1429	7x60mm Post - Grey (2pcs)
AX31097	3 Port High Output LED Controller	AXA1430	7x65mm Post - Grey (2pcs)
AX31098	8 LED Light String (White LED)	AXA1431	7x70mm Post - Grey (2pcs)
AX31143	1.9 Falken Wildpeak M/T - R35 Compound (2pcs)		
AX31176	Spawn Body - .040" (Clear)		
AX31250	M4 Serrated Nylon Lock Nut (Black) (10pcs)		
AX31267	Jeep® NuKizer 715 Body - .040" (Clear)		
AX31268	Jeep® Mighty FC Body - .040" (Clear)		
AX31312	35T Electric Motor		
AX31314	Aluminum Shock Body 12x47.5mm (Clear Anodized) (2pcs)		
AX31329	35T Trail Breaker Electric Motor (Rebuildable)		
AX31330	55T Trail Breaker Electric Motor (Rebuildable)		
AX31338	Trail Breaker Electric Motor Rebuild Kit		
AX31394	JCROffroad Vanguard Spare Tire Carrier		
AX31395	JCROffroad Roof Rack		
AX31396	Winch Spool and Servo Mounts		
AX31419	Threaded Aluminum Link 7.5x80mm - Grey (2pcs)		
AX31420	Threaded Aluminum Link 7.5x101.5mm - Grey (2pcs)		
AX31421	Threaded Aluminum Link 7.5x71mm - Grey (2pcs)		
AX31422	Threaded Aluminum Link 7.5x93mm - Grey (2pcs)		
AX31423	Threaded Aluminum Link 7.5x56.5mm - Grey (2pcs)		
AX31424	Threaded Aluminum Link 7.5x107mm - Grey (2pcs)		

OFFICIALLY LICENSED TECHNICAL PARTNERS:



## EXPLORE

[facebook.com/axialinc](https://facebook.com/axialinc) | [instagram.com/axialracing](https://instagram.com/axialracing) | [twitter.com/axialrc](https://twitter.com/axialrc)  
[youtube.com/axialvideos](https://youtube.com/axialvideos) | [flickr.com/axialrc](https://flickr.com/axialrc)



Jeep, the Jeep grille and related logos, vehicle model names and trade dress are trademarks of FCA US LLC and used under license by Axial Inc. © 2017 FCA US LLC.

©2017 Axial R/C, Inc. A subsidiary of Hobbico, Inc. All Rights Reserved.

AX90060-1001  
8810023