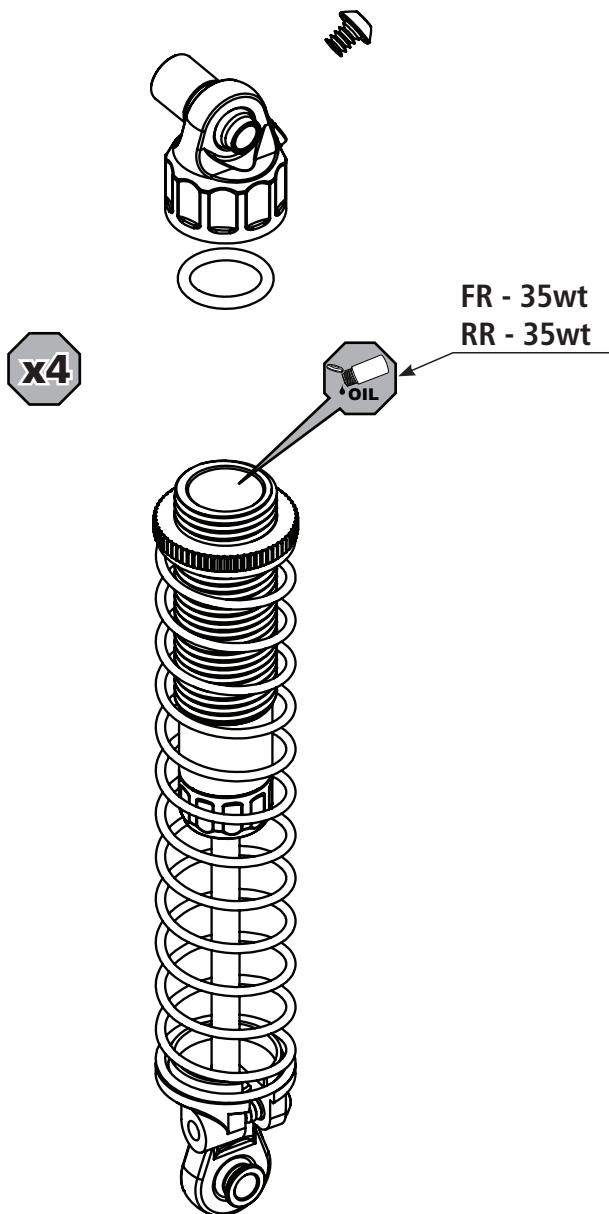


**AXI SCX10 III Standard Axle Conversion Kit (AXI238000)**  
**AXI SCX10 III Umbausatz Standardachse (AXI238000)**  
**Kit de conversion de l'essieu standard AXI SCX10 III (AXI238000)**  
**Kit conversione assale standard per AXI SCX10 III (AXI238000)**

1



2



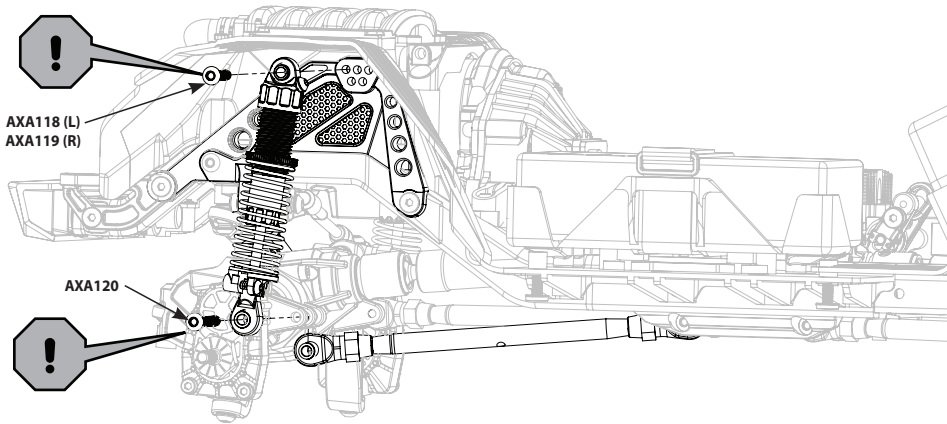
M3 x 18mm  
(Upper Left Shock Screw)  
(Stoßdämpferschraube oben links)  
(Vis d'amortisseur supérieure gauche)  
(Vite superiore ammortizzatore SX)  
AXA118 x1



M3 x 20mm  
(Upper Right Shock Screw)  
(Stoßdämpferschraube oben rechts)  
(Vis d'amortisseur supérieure droite)  
(Vite superiore ammortizzatore DX)  
AXA119 x1



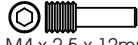
M3 x 25mm  
AXA120 x2



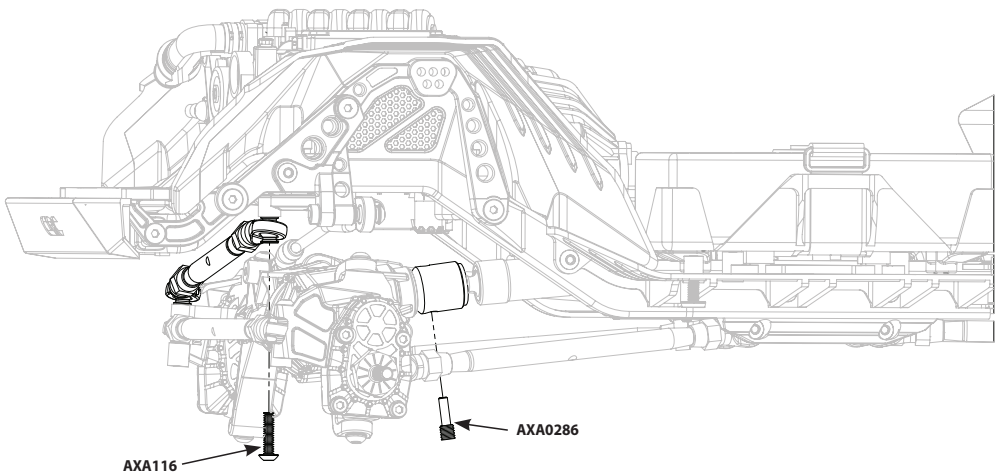
3



M3 x 12mm  
AXA116 x1



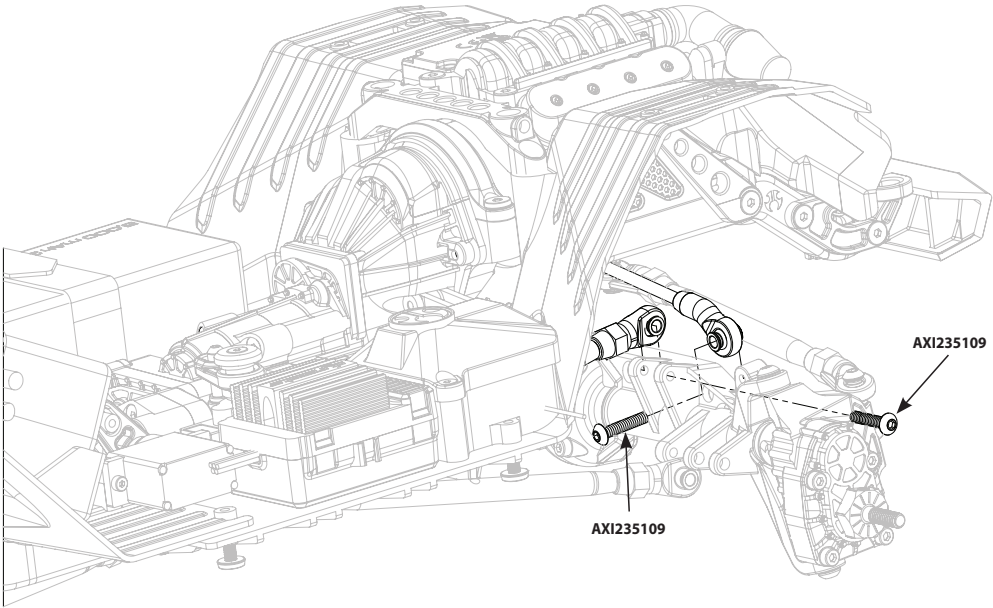
M4 x 2.5 x 12mm  
AXA0286 x1



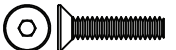
4



M3 x 14mm  
AXI235109 x2



5



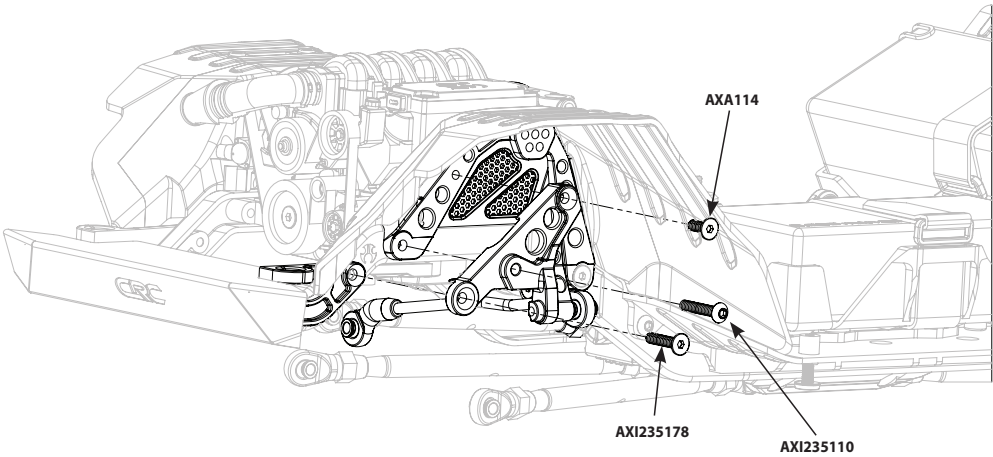
M3 x 14mm  
AXI235178 x1



M3 x 16mm  
AXI235110 x1

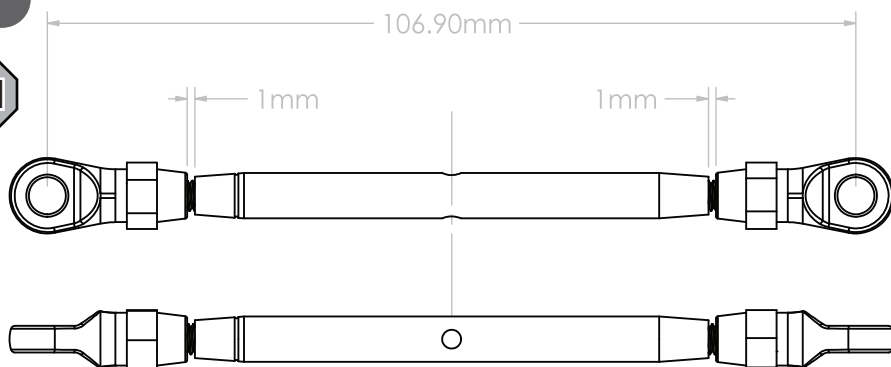


M3 x 8mm  
AXA114 x1



6

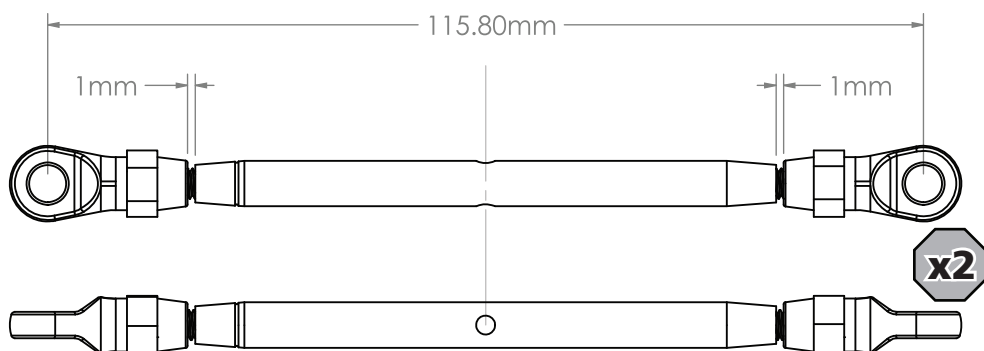
x1



**EN** Front Upper Link  
**DE** Vordere obere Stange  
**FR** Bras supérieurs avant  
**IT** Tiranti anteriori superiori



**EN** Front Lower Links  
**DE** Vordere untere Stange  
**FR** Bras inférieurs avant  
**IT** Tiranti anteriori inferiori

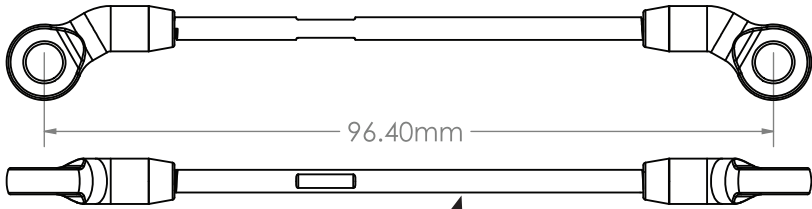


x2

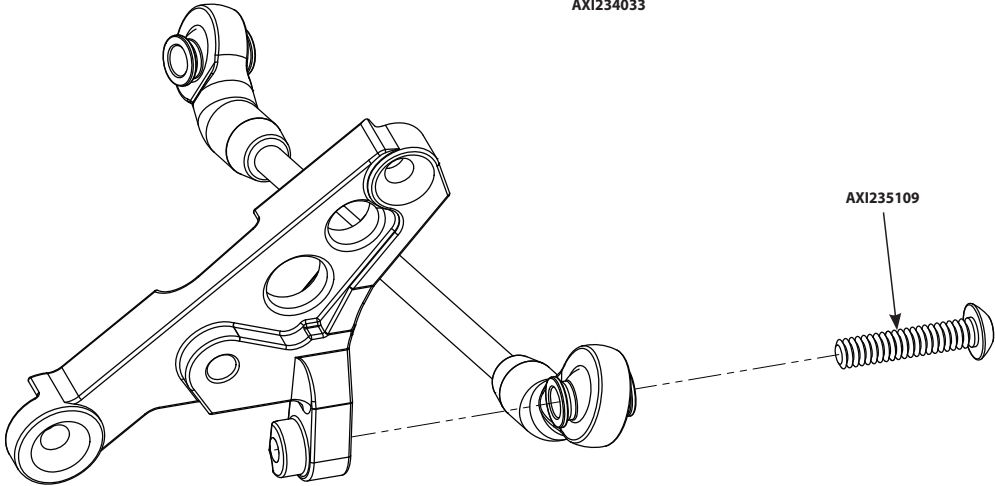
7



M3 x 14mm  
AXI235109 x1



AXI234033



AXI235109

8



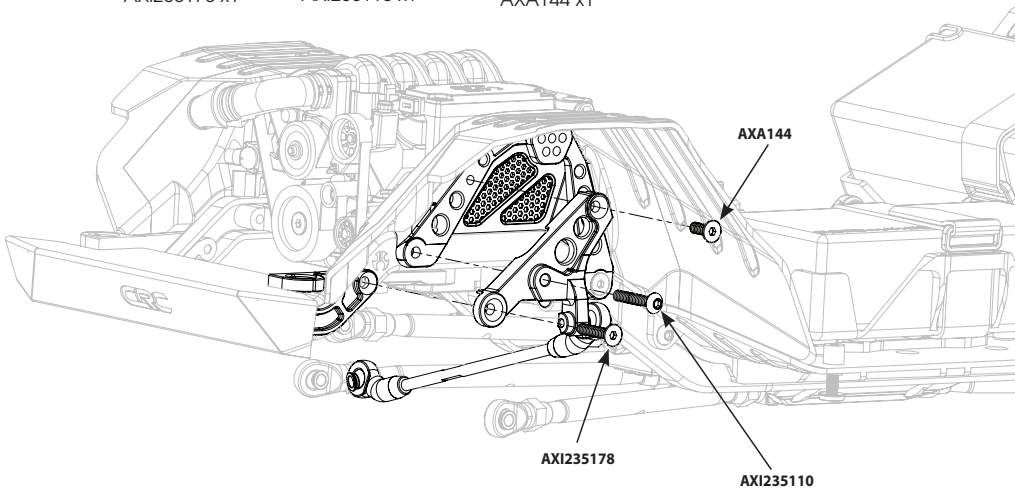
M3 x 14mm  
AXI235178 x1



M3 x 16mm  
AXI235110 x1



M3 x 8mm  
AXA144 x1



AXA144

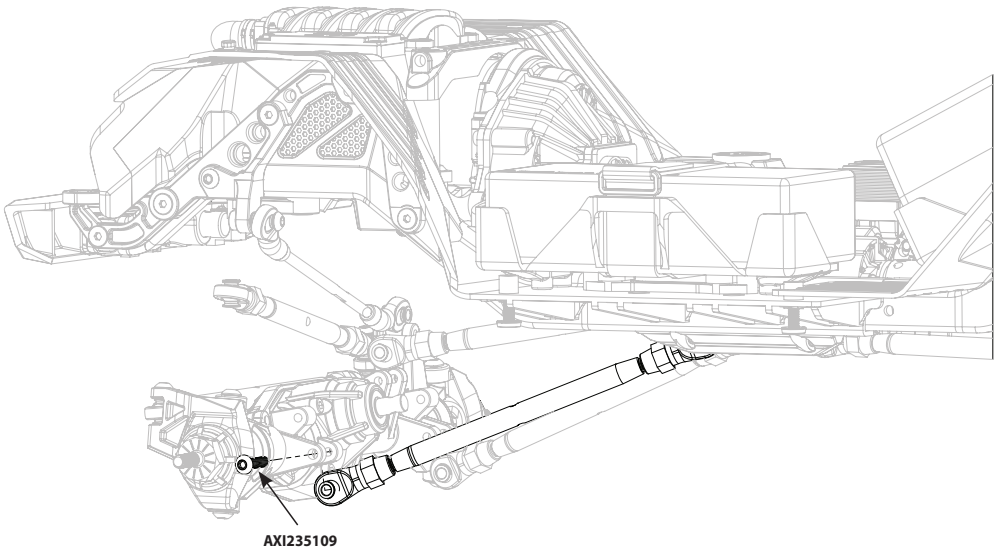
AXI235178

AXI235110

9



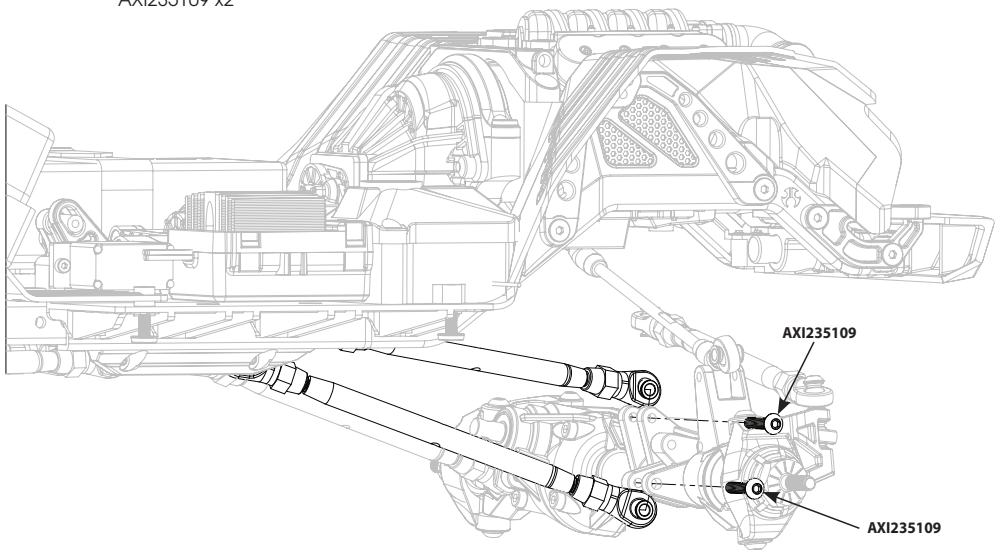
M3 x 14mm  
AXI235109 x1



10



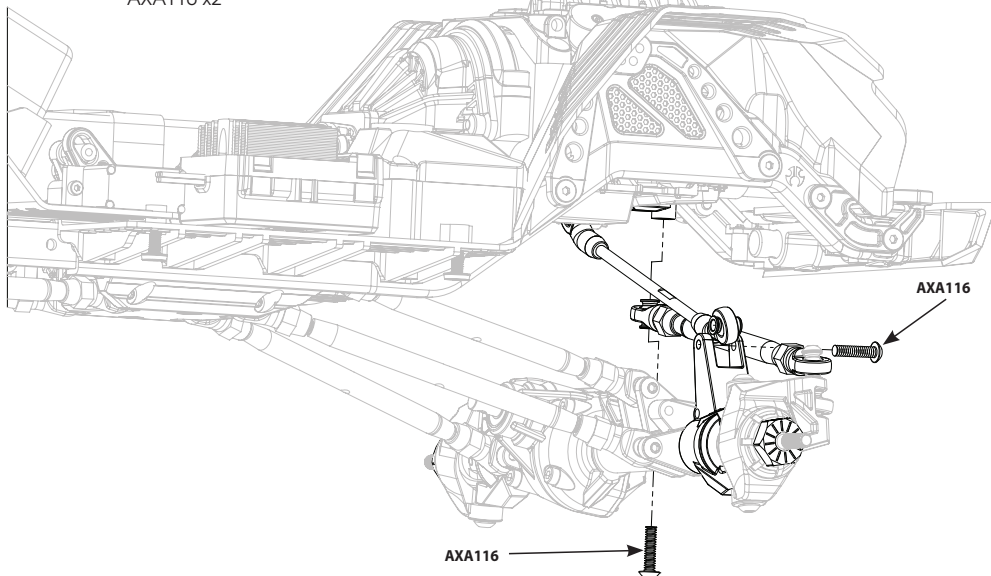
M3 x 14mm  
AXI235109 x2



11



M3 x 12mm  
AXA116 x2



12



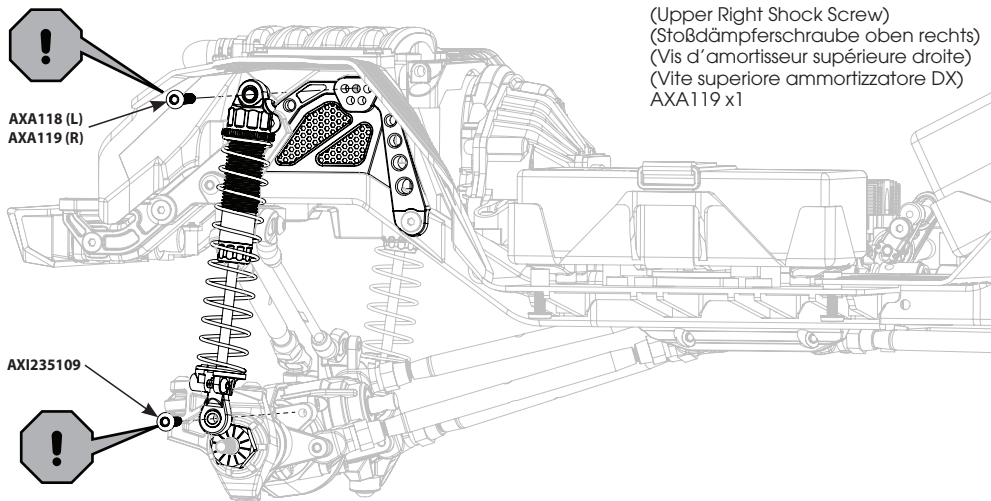
M3 x 14mm  
(Lower Shock Screw)  
(Stoßdämpferschraube unten)  
(Retrait de l'amortisseur inférieur)  
(Vite inferiore ammortizzatore)  
AXI235109 x2



M3 x 18mm  
(Upper Left Shock Screw)  
(Stoßdämpferschraube oben links)  
(Vis d'amortisseur supérieure gauche)  
(Vite superiore ammortizzatore SX)  
AXA118 x1



M3 x 20mm  
(Upper Right Shock Screw)  
(Stoßdämpferschraube oben rechts)  
(Vis d'amortisseur supérieure droite)  
(Vite superiore ammortizzatore DX)  
AXA119 x1



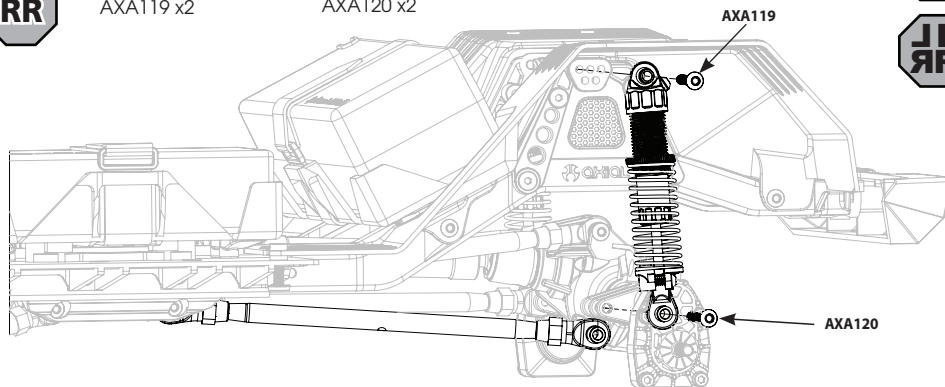


13



M3 x 20mm  
AXA119 x2

M3 x 25mm  
AXA120 x2

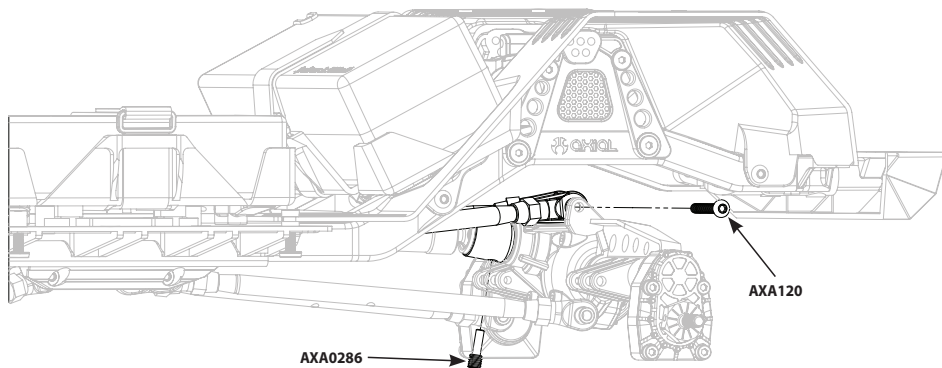


14



M3 x 25mm  
AXA120 x1

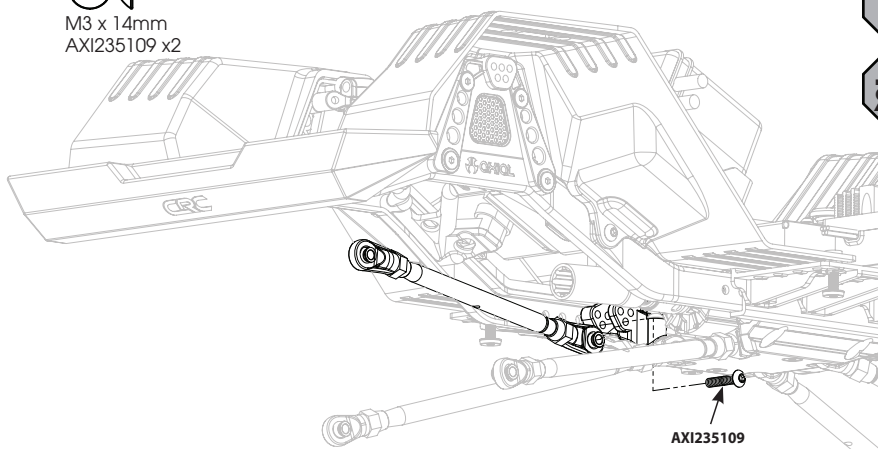
M4 x 2.5 x 12mm  
AXA0286 x1



15



M3 x 14mm  
AXI235109 x2

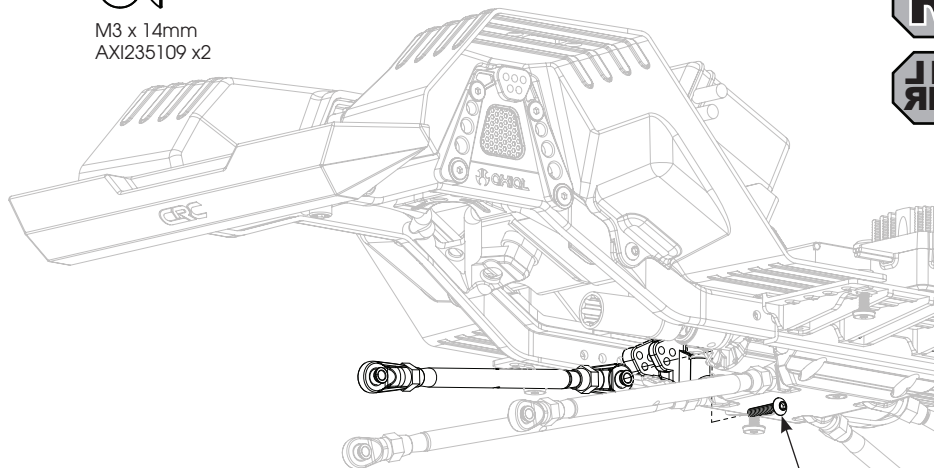




16

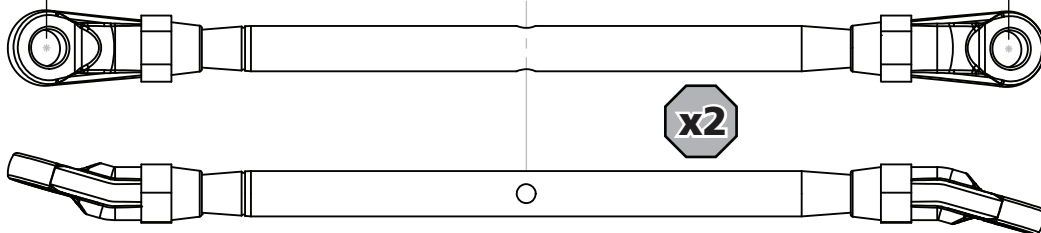


M3 x 14mm  
AXI235109 x2



AXI235109

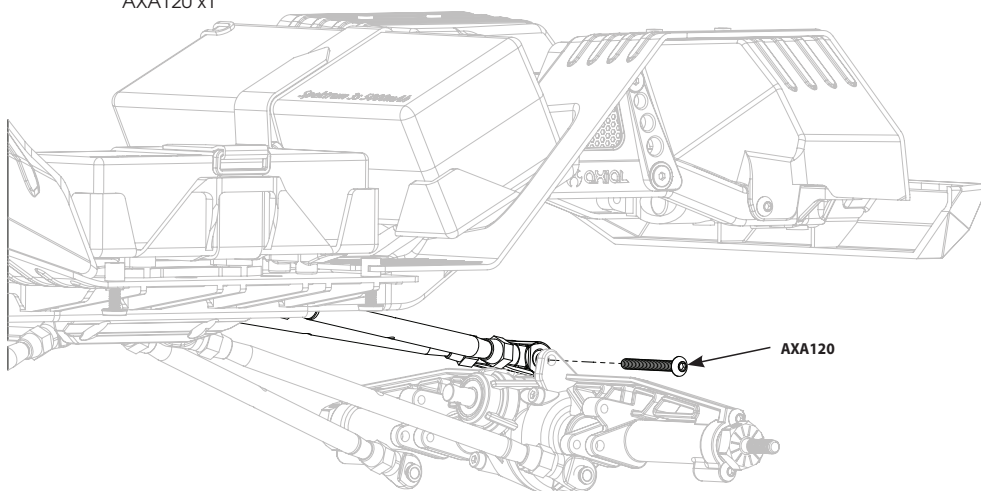
127.20mm



17



M3 x 25mm  
AXA120 x1



AXA120

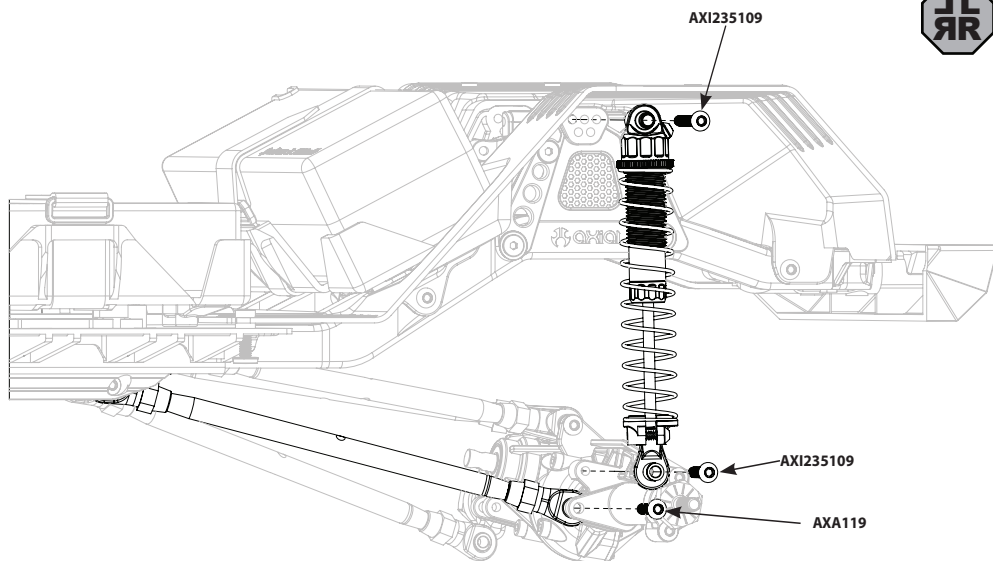
18



M3 x 14mm  
AXI235109 x2



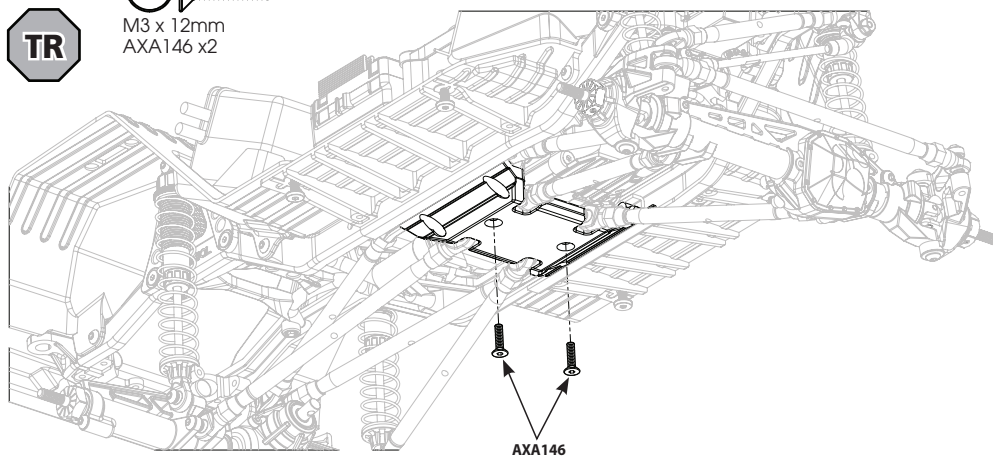
M3 x 20mm  
AXA119 x2



19



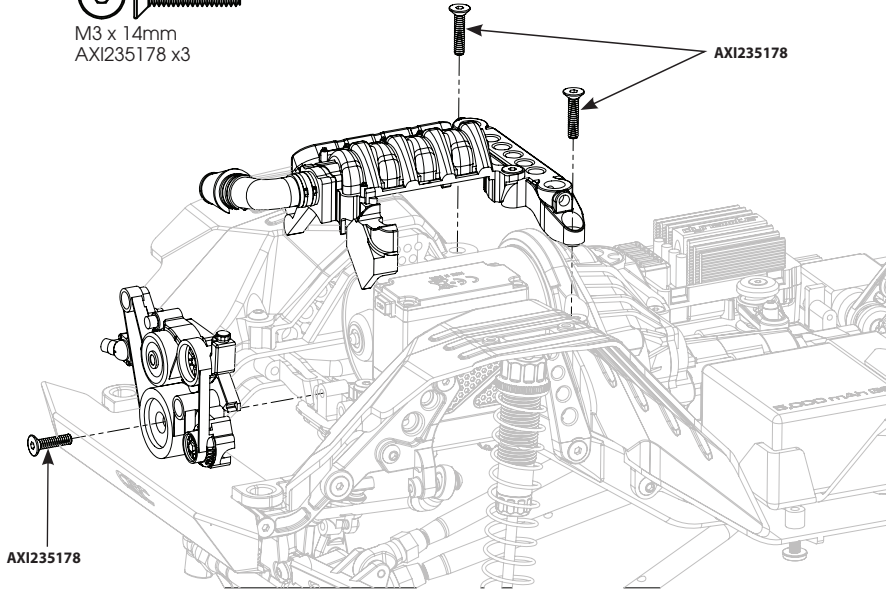
M3 x 12mm  
AXA146 x2



20



M3 x 14mm  
AXI235178 x3



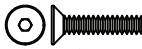
AXI235178

AXI235178

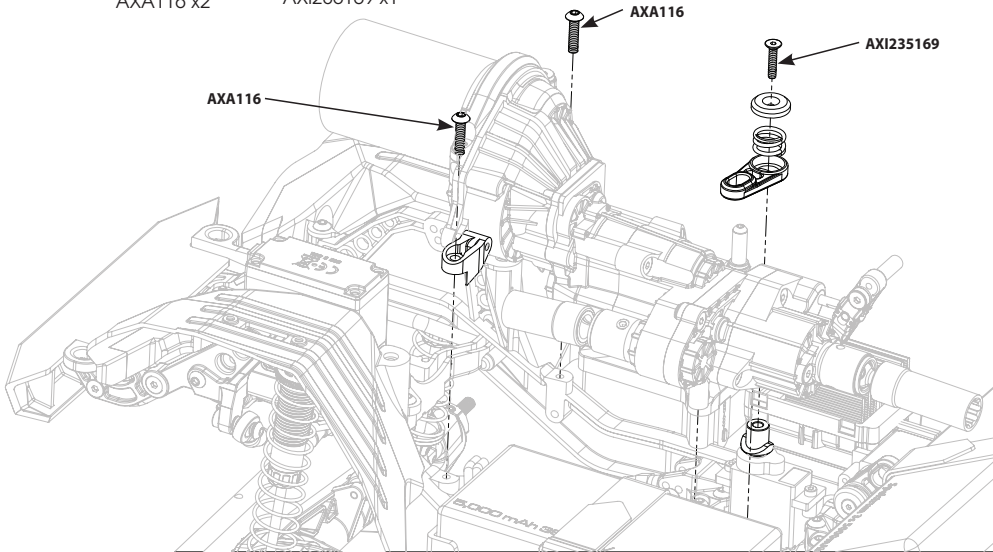
21



M3 x 12mm  
AXA116 x2



M2.5 x 12mm  
AXI235169 x1



AXA116

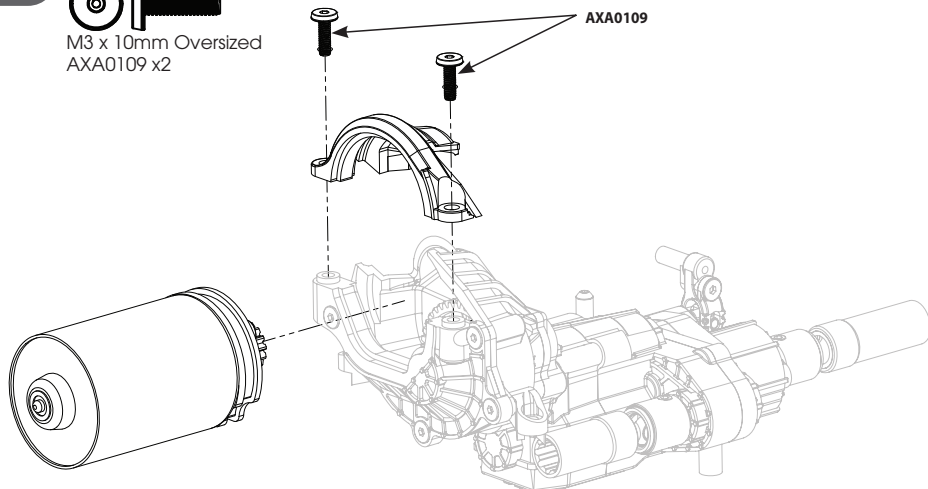
AXA116

AXI235169

22



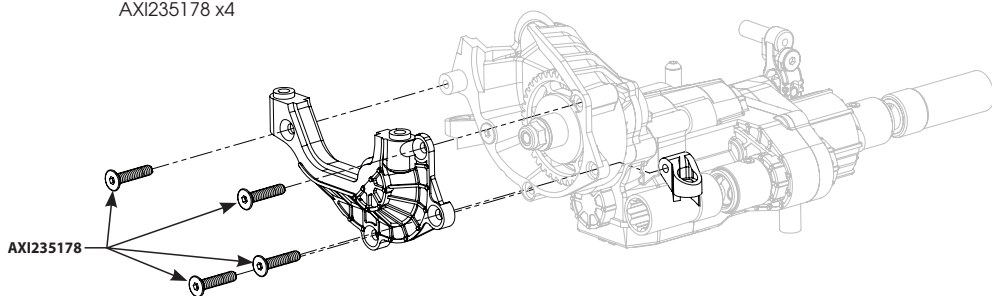
M3 x 10mm Oversized  
AXA0109 x2



23



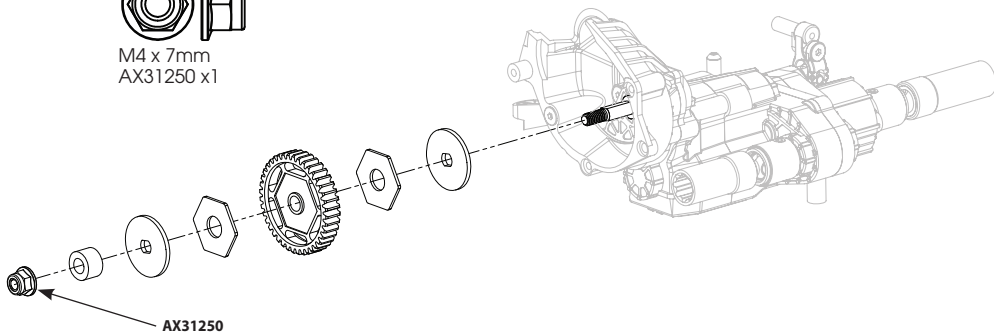
M3 x 14mm  
AXI235178 x4

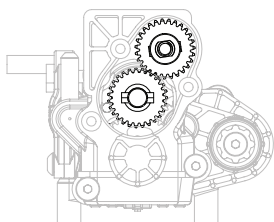
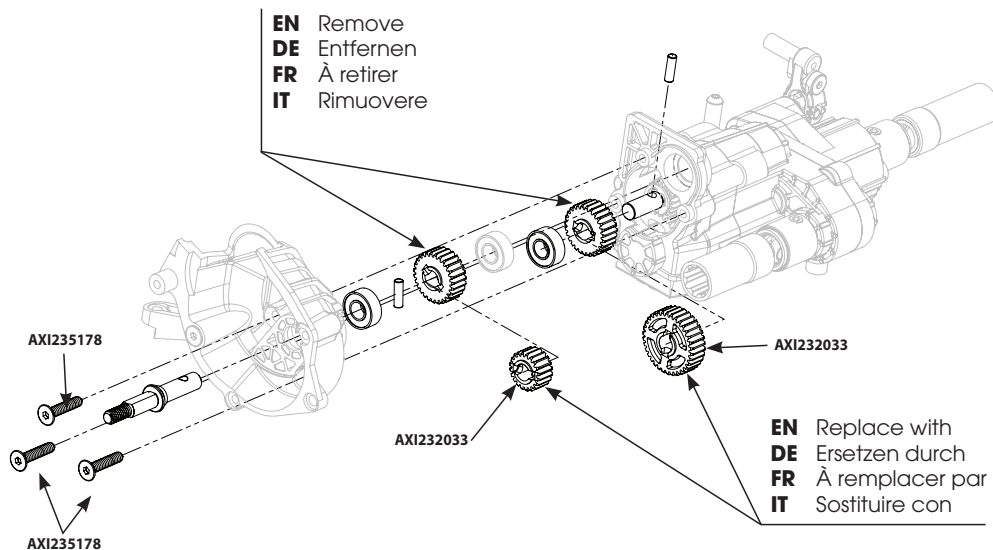
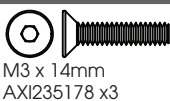


24



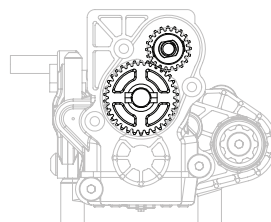
M4 x 7mm  
AX31250 x1





1:1

**EN** For Portal Axles  
**DE** Für Portalachsen  
**FR** Pour essieux de portique  
**IT** Per assali a portale



1.7:1

**EN** For Standard Axles  
**DE** Für Standardachsen  
**FR** Pour essieux standard  
**IT** Per assali standard



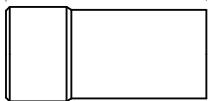
**EN** Step 22 through 25 show the removal of the motor and the replacement of the gears. To reassemble, reverse these steps.  
**DE** Die Schritte 22 bis 25 illustrieren den Ausbau des Motors und den Austausch der Zahnräder. Für den Einbau diesen Schritten in umgekehrter Reihenfolge folgen.  
**FR** Les étapes 22 à 25 montrent comment retirer le moteur et remplacer la pignonerie. Pour remonter, inverser ces étapes.  
**IT** I passaggi da 22 a 25 mostrano la rimozione del motore e la sostituzione degli ingranaggi. Per riassembleare, procedere all'inverso.

26



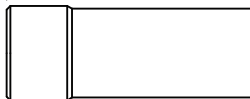
M3 x 8mm  
AXA144 x1

26.50mm

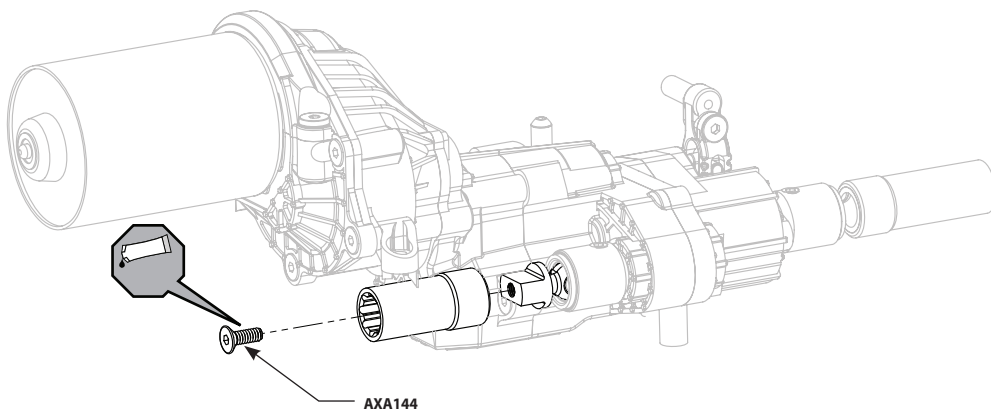


**EN** Remove  
**DE** Entfernen  
**FR** À retirer  
**IT** Rimuovere

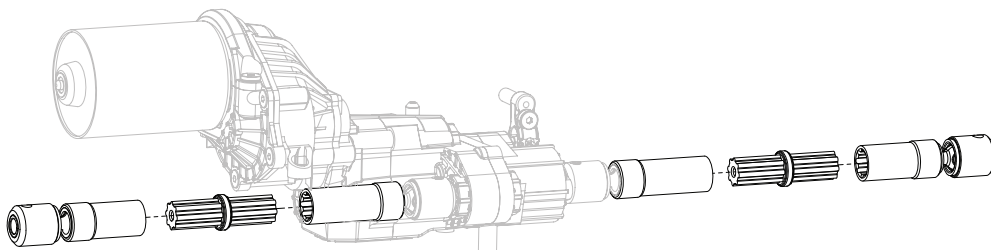
33mm



**EN** Replace with  
**DE** Ersetzen durch  
**FR** À remplacer par  
**IT** Sostituire con



27



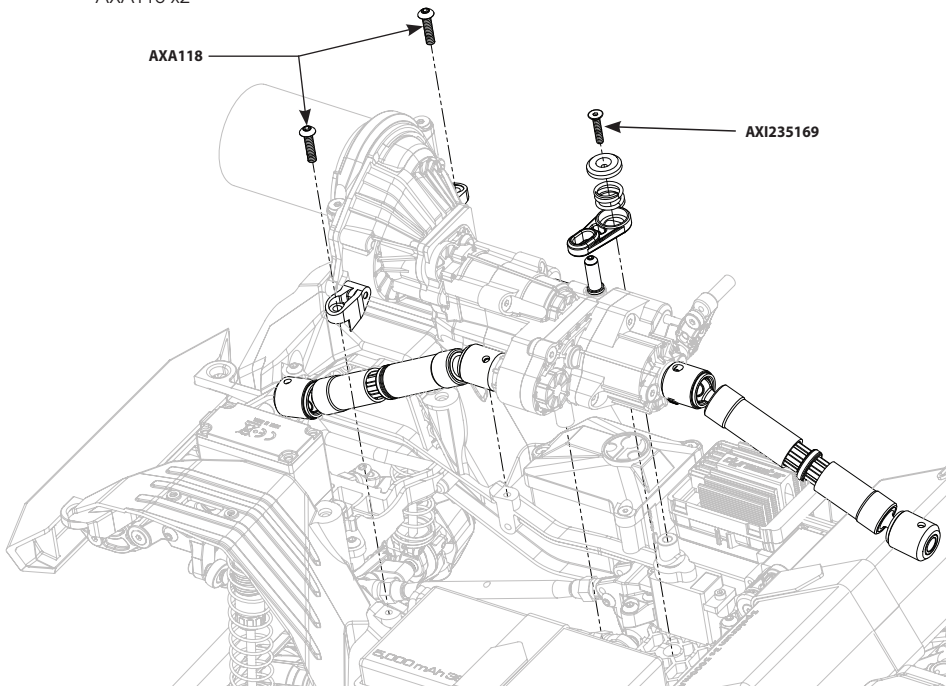
28



M3 x 18mm  
AXA118 x2



M2.5 x 12mm  
AXI235169 x1



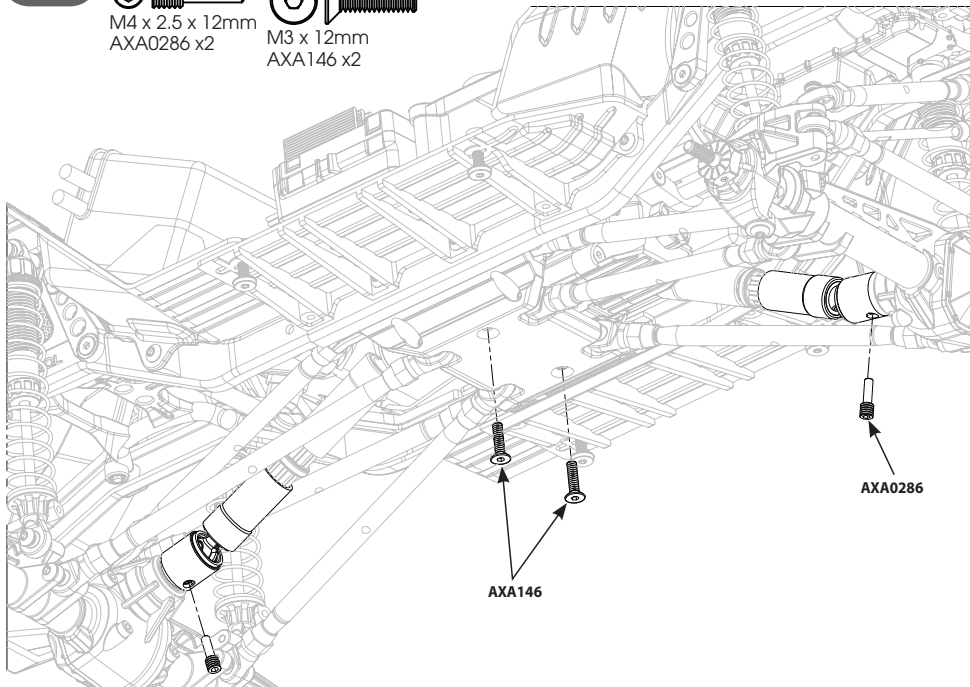
29



M4 x 2.5 x 12mm  
AXA0286 x2



M3 x 12mm  
AXA146 x2

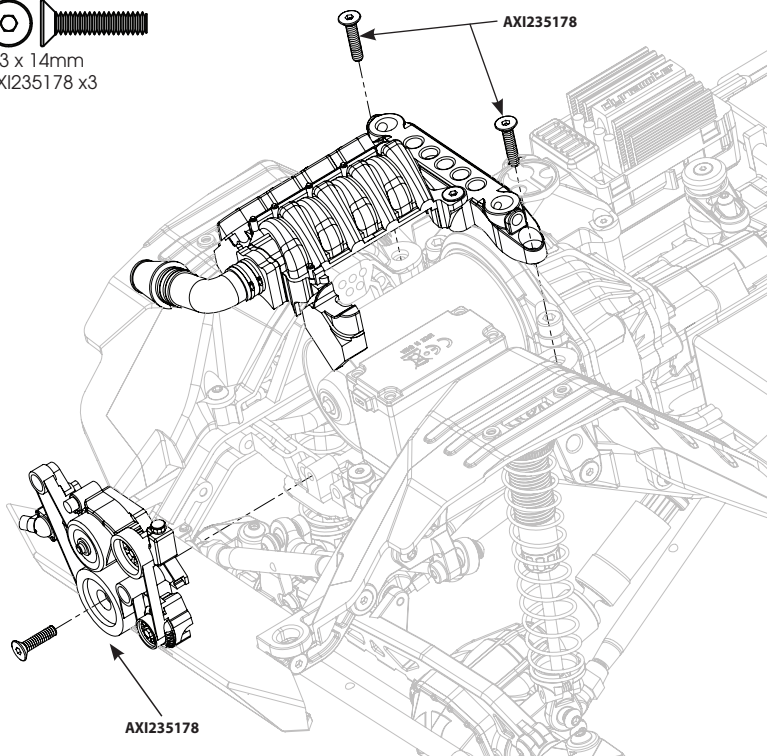




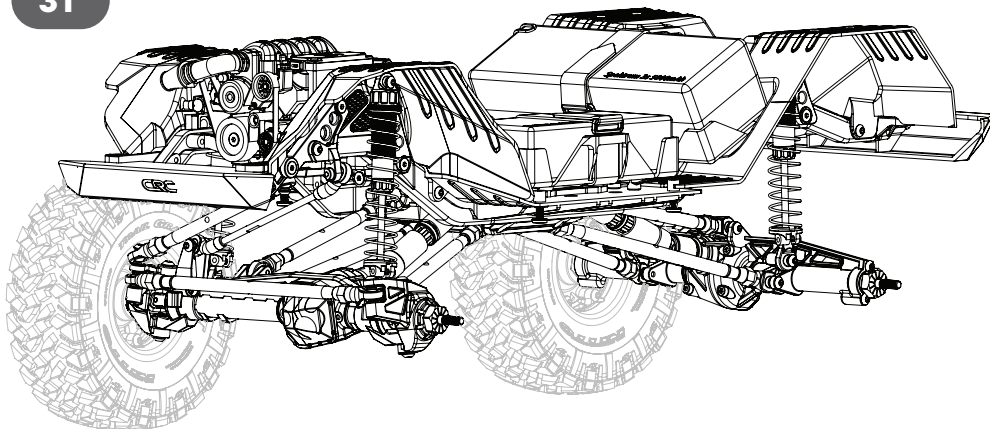
30



M3 x 14mm  
AXI235178 x3



31









Updated 10/2020 65101.1

©2020 Horizon Hobby, LLC.

Axial, the Axial Logo and the Horizon Hobby Logo  
are registered trademarks of Horizon Hobby, LLC.

**EU Manufacturer of Record:**

Horizon Hobby, LLC  
2904 Research Road  
Champaign, IL 61822 USA

**EU Importer of Record:**

Horizon Hobby GmbH,  
Hanskampring 9  
D 22885 Barsbüttel, Germany