

Contact Information

Country of Purchase	Horizon Hobby	Address	Phone Number / Email Address
United States of America	Horizon Service Center (Electronics and engines)	4105 Fieldstone Rd Champaign, Illinois 61822 USA	877-504-0233 Online Repair Request: visit www.horizonhobby.com/service
	Horizon Product Support (All other products)	4105 Fieldstone Rd Champaign, Illinois 61822 USA	877-504-0233 productsupport@horizonhobby.com
United Kingdom	Horizon Hobby Limited	Units 1-4 Ployters Rd Staple Tye Harlow, Essex CM18 7NS United Kingdom	+44 (0) 1279 641 097 sales@horizonhobby.co.uk
Germany	Horizon Technischer Service	Hamburger Str. 10 25335 Elmshorn Germany	+49 4121 46199 66 service@horizonhobby.de
France	Horizon Hobby SAS	14 Rue Gustave Eiffel Zone d'Activité du Réveil Matin 91230 Montgeron	+33 (0) 1 60 47 44 70 infofrance@horizonhobby.com

E-flite®

NOTICE

All instructions, warranties and other collateral documents are subject to change at the sole discretion of Horizon Hobby, Inc. For up-to-date product literature, visit horizonhobby.com and click on the support tab for this product.

Meaning of Special Language

The following terms are used throughout the product literature to indicate various levels of potential harm when operating this product:

NOTICE: Procedures, which if not properly followed, create a possibility of physical property damage AND a little or no possibility of injury.

CAUTION: Procedures, which if not properly followed, create the probability of physical property damage AND a possibility of serious injury.

WARNING: Procedures, which if not properly followed, create the probability of property damage, collateral damage, and serious injury OR create a high probability of superficial injury.

WARNING: Read the ENTIRE instruction manual to become familiar with the features of the product before operating. Failure to operate the product correctly can result in damage to the product, personal property and cause serious injury.

This is a sophisticated hobby product and NOT a toy. It must be operated with caution and common sense and requires some basic mechanical ability. Failure to operate this Product in a safe and responsible manner could result in injury or damage to the product or other property. This product is not intended for use by children without direct adult supervision. Do not attempt disassembly, use with incompatible components or augment product in any way without the approval of Horizon Hobby, Inc. This manual contains instructions for safety, operation and maintenance. It is essential to read and follow all the instructions and warnings in the manual, prior to assembly, setup or use, in order to operate correctly and avoid damage or serious injury.

CAUTION: This product can become extremely hot when in use, which could lead to burns.

Age Recommendation: Not for children under 14 years. This is not a toy.

Compliance Information for the European Union



Declaration of Conformity

(in accordance with ISO/IEC 17050-1)

No. HH2011080601

Product(s): EFL Park 280 Brushless Outrunner Motor 1800Kv

Item Number(s): EFLM1140

The object of declaration described above is in conformity with the requirements of the specifications listed below, following the provisions of the European EMC Directive 2004/108/EC:

EN61000-6-1:2007

EN61000-6-3:2007

Signed for and on behalf of:
Horizon Hobby, Inc.
Champaign, IL USA
August 06, 2011

Steven A. Hall
Vice President
International Operations and Risk Management
Horizon Hobby, Inc.



Instructions for disposal of WEEE
by users in the European Union

This product must not be disposed of with other waste. Instead, it is the user's responsibility to dispose of their waste equipment by handing it over to a designated collection point for the recycling of waste electrical and electronic equipment. The separate collection and recycling of your waste equipment at the time of disposal will help to conserve natural resources and ensure that it is recycled in a manner that protects human health and the environment. For more information about where you can drop off your waste equipment for recycling, please contact your local city office, your household waste disposal service or where you purchased the product.

Park 280 Brushless Outrunner Motor, 1800Kv (EFLM1140) Instructions

Thank you for purchasing the E-flite® Park 280 Brushless Outrunner motor. Before using this motor, thoroughly read these instructions. Along with the operation instructions, you will also find important mounting or setup tips.

Features

- Ideal for 3D models 5.00–8.00 oz (142–227 g) and sport and scale models 7.00–14.0 oz (198–396 g)
- Ideal for small indoor airplanes requiring up to 110 watts
- Integrated prop-saver design
- Designed for firewall mount
- Extremely quiet and lightweight—just 0.72 oz (20.5 g)
- High-quality construction with ball bearings and hardened steel shaft
- Slotted 10-pole outrunner design

Park 280, 1800Kv (EFLM1140) Specifications

Diameter: 22mm (0.85 in)

Case Length: 26mm (1.02 in)

Weight: 20.5 g (0.72 oz)

Shaft Diameter: 2mm (0.08 in)

Kv: 1800 Revolutions per minute (rpm) per volt

I_o: 0.680 @ 8V (no load current)

R_m: 0.281 ohms (motor resistance)

Continuous Current: 8A

Maximum Burst Current: 10A

Input Watts: 110W

Cells: 2S–3S Li-Po or 6- to 8-cell Ni-MH/Ni-Cd

Recommended Props: 2S: 6 x 5 to 7 x 5
3S: 5 x 5 to 7 x 3.5

NOTICE: The prop range and amp draw may vary by prop design and manufacturer.

Brushless ESC: 10A

NOTICE: Maximum operating temperature is 220° F (104° C) and maximum burst current duration is 15 seconds. Decrease throttle to let the motor cool after operation at maximum current levels and to prevent overheating. Maximum Burst Current rating of 10A is for 3D and limited motor run operations.

Battery Choices

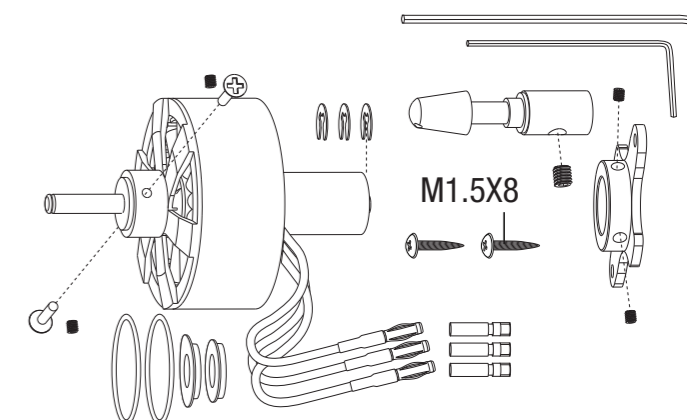
We recommend E-flite® or Thunder Power RC batteries for the Park 280 Brushless Outrunner motor, depending on the airplane application. Battery technology is constantly changing and manufacturers are improving by updating older packs with new ones. Please refer to your model's manual or our website for recommended batteries.

Accessories and Spare Parts

See our website at www.E-fliteRC.com or www.horizonhobby.com for more information about our products, including our brushless motors. A specification comparison sheet is on our website so you can compare the motors we offer.

- EFLA110 Power Meter (measures amps, volts, watts and capacity)
- EFLA1010 10A Pro Brushless ESC
- EFLA248 Gold Bullet Connector Set, 2mm (3)
- EFLM1141 Shaft: Park 280 BL Outrunner
- EFLM1142 Replacement Hardware: Park 280
- EFLM1935 Prop Adapter (Bullet) with Setscrew, 2mm

Box Contents

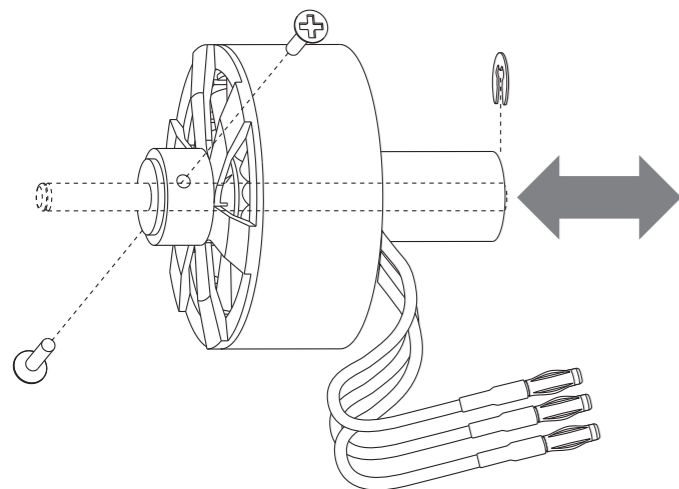


Operating Instructions

1. This brushless motor requires a sensorless brushless speed control (electronic speed control or ESC). Failure to use the correct ESC may result in damage to the motor and/or speed control. Please refer to your ESC instructions for correct settings.
2. Where needed, install included 3 bullet connectors (EFLA248) on the output wires of your ESC using solder and heat shrink insulation (to prevent short circuiting). The 3 motor wires can be connected in any order to the 3 ESC output wires or output port on an ESC.
3. Make sure the motor turns in the correct direction for your model. Change the direction the motor turns by changing the connection of any 2 motor wires on the ESC.
4. Make sure the motor is mounted on the model to ensure good air circulation during operation. The motor generates heat when operated at maximum power. The user is responsible to ensure the motor does not overheat. Overheating the motor is not covered under any warranty.
5. Never cut or otherwise change the length or size of motor wires. Remove connectors by heating and removing solder.

NOTICE: Changing the motor wires is improper modification of the motor and may cause the motor to fail.

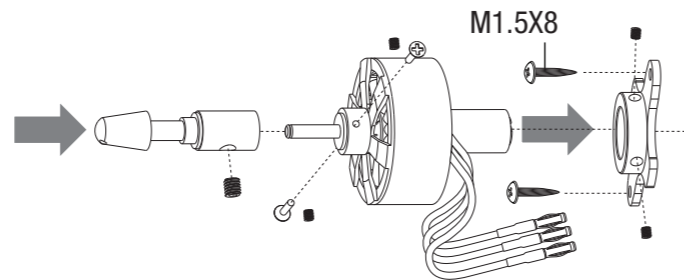
CAUTION: Always keep hands and loose items away from the propeller when the motor is connected to power. Failure to do so could result in injury and/or property damage.



Motor Mounting: X-Mount

Illustrations show installation of an X-mount on the motor.

1. Loosen setscrew on X-mount.
2. Put X-mount on motor's fixed outer main shaft housing.
3. Tighten setscrew to hold the motor in X-mount.
4. Attach X-mount to firewall of your model using 2 included screws (M1.5X8).
5. Attach propellers to the motor shaft with the included O-ring (straight or twisted in a figure 8 over propeller with loops put over screw heads) and a propeller size adapter (2 adapters included).



Changing Shaft Orientation

1. Loosen 2 screws on the front of the motor. Apply heat directly to the head of a screw to free the screw from threadlock applied in manufacturing.

NOTICE: Applying too much heat or applying heat to the whole motor can damage the motor.

2. Remove from the shaft the small black E-clip that rests against the bearing. Wrap the motor with a towel to capture the E-clip when it is removed from the shaft.
3. Push the shaft through the motor. A small hammer is required to lightly tap the shaft.

CAUTION: DO NOT bend or damage the motor shaft as injury or property damage may result.

Replacement motor shafts (EFLM1141) are available for purchase.

4. Keep the shaft in the motor by installing an E-clip in the groove on the end of the shaft and tightening 2 screws on the front of the motor.

NOTICE: A small amount of threadlock may be used on the screws. DO NOT use a large amount of threadlock that can get in the motor.

1-Year Limited Warranty

What this Warranty Covers

Horizon Hobby, Inc., (Horizon) warrants that the Products purchased (the "Product") will be free from defects in materials and workmanship for a period of 1 year from the date of purchase by the Purchaser.

What is Not Covered

This warranty is not transferable and does not cover (i) cosmetic damage, (ii) damage due to acts of God, accident, misuse, abuse, negligence, commercial use, or due to improper use, installation, operation or maintenance, (iii) modification of or to any part of the Product, (iv) attempted service by anyone other than a Horizon Hobby authorized service center, or (v) Products not purchased from an authorized Horizon dealer.

OTHER THAN THE EXPRESS WARRANTY ABOVE, HORIZON MAKES NO OTHER WARRANTY OR REPRESENTATION, AND HEREBY DISCLAIMS ANY AND ALL IMPLIED WARRANTIES, INCLUDING, WITHOUT LIMITATION, THE IMPLIED WARRANTIES OF NON-INFRINGEMENT, MERCHANTABILITY AND FITNESS FOR A PARTICULAR PURPOSE. THE PURCHASER ACKNOWLEDGES THAT THEY ALONE HAVE DETERMINED THAT THE PRODUCT WILL SUITABLY MEET THE REQUIREMENTS OF THE PURCHASER'S INTENDED USE.

Purchaser's Remedy

Horizon's sole obligation and purchaser's sole and exclusive remedy shall be that Horizon will, at its option, either (i) service, or (ii) replace, any Product determined by Horizon to be defective. Horizon reserves the right to inspect any and all Product(s) involved in a warranty claim. Service or replacement decisions are at the sole discretion of Horizon. Proof of purchase is required for all warranty claims. SERVICE OR REPLACEMENT AS PROVIDED UNDER THIS WARRANTY IS THE PURCHASER'S SOLE AND EXCLUSIVE REMEDY.

Limitation of Liability

HORIZON SHALL NOT BE LIABLE FOR SPECIAL, INDIRECT, INCIDENTAL OR CONSEQUENTIAL DAMAGES, LOSS OF PROFITS OR PRODUCTION OR COMMERCIAL LOSS IN ANY WAY, REGARDLESS OF WHETHER SUCH CLAIM IS BASED IN CONTRACT, WARRANTY, TORT, NEGLIGENCE, STRICT LIABILITY OR ANY OTHER THEORY OF LIABILITY, EVEN IF HORIZON HAS BEEN ADVISED OF THE POSSIBILITY OF SUCH DAMAGES. Further, in no event shall the liability of Horizon exceed the individual price of the Product on which liability is asserted. As Horizon has no control over use, setup, final assembly, modification or misuse, no liability shall be assumed nor accepted for any resulting damage or injury. By the act of use, setup or assembly, the user accepts all resulting liability. If you as the purchaser or user are not prepared to accept the liability associated with the use of the Product, purchaser is advised to return the Product immediately in new and unused condition to the place of purchase.

Law

These terms are governed by Illinois law (without regard to conflict of law principals). This warranty gives you specific legal rights, and you may also have other rights which vary from state to state. Horizon reserves the right to change or modify this warranty at any time without notice.

Warranty Services

Questions, Assistance, and Services

Your local hobby store and/or place of purchase cannot provide warranty support or service. Once assembly, setup or use of the Product has been started, you must contact Horizon directly. This will enable Horizon to better answer your questions and service you in the event that you may need any assistance. For questions or assistance, please direct your email to product-support@horizonhobby.com, or call 877.504.0233 toll free to speak to a Product Support representative. You may also find information on our website at www.horizonhobby.com.

Inspection or Services

If this Product needs to be inspected or serviced, please use the Horizon Online Service Request submission process found on our website or call Horizon to obtain a Return Merchandise Authorization (RMA) number. Pack the Product securely using a shipping carton. Please note that original boxes may be included, but are not designed to withstand the rigors of shipping without additional protection. Ship via a carrier that provides tracking and insurance for lost or damaged parcels, as Horizon is not responsible for merchandise until it arrives and is accepted at our facility. An Online Service Request is available at <http://www.horizonhobby.com> under the Support tab. If you do not have internet access, please contact Horizon Product Support to obtain a RMA number along with instructions for submitting your product for service. When calling Horizon, you will be asked to provide your complete name, street address, email address and phone number where you can be reached during business hours. When sending product into Horizon, please include your RMA number, a list of the included items, and a brief summary of the problem. A copy of your original sales receipt must be included for warranty consideration. Be sure your name, address, and RMA number are clearly written on the outside of the shipping carton.

NOTICE: Do not ship LiPo batteries to Horizon. If you have any issue with a LiPo battery, please contact the appropriate Horizon Product Support office.

Warranty Requirements

For Warranty consideration, you must include your original sales receipt verifying the proof-of-purchase date. Provided warranty conditions have been met, your Product will be serviced or replaced free of charge. Service or replacement decisions are at the sole discretion of Horizon.

Non-Warranty Service

Should your service not be covered by warranty service will be completed and payment will be required without notification or estimate of the expense unless the expense exceeds 50% of the retail purchase cost. By submitting the item for service you are agreeing to payment of the service without notification. Service estimates are available upon request. You must include this request with your item submitted for service. Non-warranty service estimates will be billed a minimum of ½ hour of labor. In addition you will be billed for return freight. Horizon accepts money orders and cashiers checks, as well as Visa, MasterCard, American Express, and Discover cards. By submitting any item to Horizon for service, you are agreeing to Horizon's Terms and Conditions found on our website <http://www.horizonhobby.com/Service/Request/>.

Kontaktinformationen

Deutschland	Horizon Technischer Service	Hamburger Str. 10 25335 Elmshorn Germany	+49 4121 46199 66 service@horizonhobby.de
-------------	-----------------------------	--	--

Konformitätshinweise für die Europäische Union



Entsorgung in der Europäischen Union

Dieses Produkt darf nicht über den Hausmüll entsorgt werden. Es ist die Verantwortung des Benutzers, dass Produkt an einer registrierten Sammelstelle für Elektroschrott abzugeben diese Verfahren stellt sicher, dass die Umwelt geschont wird und natürliche Ressourcen nicht über die Gebühr beansprucht werden. Dadurch wird das Wohlergehen der menschlichen Gemeinschaft geschützt. Für weitere Informationen, wo der Elektromüll entsorgt werden kann, können Sie Ihr Stadtbüro oder Ihren lokalen Entsorger kontaktieren.

Konformitätserklärung laut Allgemeine Anforderungen (ISO/IEC 17050-1:2004, korrigierte Fassung 2007-06-15); Deutsche und Englische Fassung EN ISO/IEC 17050-1:2010

Declaration of conformity (in accordance with ISO/IEC 17050-1)

Horizon Hobby GmbH
Hamburger Straße 10
D-25337 Elmshorn

erklärt das Produkt: EFL Park 280 Brushless Außenläufer Motor, 1800 Kv (EFLM1140)

declares the product: EFL Park 280 Brushless Outrunner Motor 1800Kv (EFLM1140)

im Einklang mit den Anforderungen der unten aufgeführten Bestimmungen nach den Bestimmungen der europäischen EMV-Richtlinie 2004/108/EG:

The object of declaration described above is in conformity with the requirements of the specifications listed below, following the provisions of the European EMC Directive 2004/108/EC:

EN61000-6-1:2007
EN61000-6-3:2007



Elmshorn, 08.06.2011

Steven A. Hall
Geschäftsführer
Managing Director

Birgit Schamuhn
Geschäftsführerin
Managing Director

Horizon Hobby GmbH; Hamburger Str. 10; D-25337 Elmshorn
HR Pi: HRB 1909; UStIDNr.: DE812678792; Str.Nr.: 1829812324
Geschäftsführer: Birgit Schamuhn, Steven A. Hall -- Tel.: +49 4121 4619960
Fax: +49 4121 4619970 eMail: info@horizonhobby.de
Internet: www.horizonhobby.de

Es gelten unsere allgemeinen Geschäftsbedingungen, die in unseren Geschäftsräumen eingesehen werden können.

Ware bleibt bis zur vollständigen Bezahlung Eigentum der Horizon Hobby GmbH

HINWEIS

Alle Anweisungen, Garantien und dazugehörigen Dokumente können ohne Ankündigung von Horizon Hobby Inc. geändert werden. Eine aktuelle Version ersehen Sie bitte im Support Feld unter: <http://www.horizonhobby.com>.

Erklärung der Begriffe

Die folgenden Begriffe werden in der gesamten Produktliteratur verwendet, um auf unterschiedlich hohe Gefahrenrisiken beim Betrieb dieses Produkts hinzuweisen:

HINWEIS: Wenn diese Verfahren nicht korrekt befolgt werden, können sich möglicherweise Sachschäden UND geringe oder keine Gefahr von Verletzungen ergeben.

ACHTUNG: Wenn diese Verfahren nicht korrekt befolgt werden, ergeben sich wahrscheinlich Sachschäden UND die Gefahr von schweren Verletzungen.

WARNUNG: Wenn diese Verfahren nicht korrekt befolgt werden, ergeben sich wahrscheinlich Sachschäden, Kollateralschäden und schwere Verletzungen ODER mit hoher Wahrscheinlichkeit oberflächliche Verletzungen.



WARNUNG: Lesen Sie die GESAMTE Bedienungsanleitung, um sich vor dem Betrieb mit den Produktfunktionen vertraut zu machen. Wird das Produkt nicht korrekt betrieben, kann dies zu Schäden am Produkt oder persönlichem Eigentum führen oder schwere Verletzungen verursachen.

Nicht geeignet für Kinder unter 14 Jahren. Dies ist kein Spielzeug. Dies ist ein hochentwickeltes Hobby-Produkt. Es muss mit Vorsicht und gesundem Menschenverstand betrieben werden und benötigt gewisse mechanische Grundfähigkeiten. Wird dieses Produkt nicht auf eine sichere und verantwortungsvolle Weise betrieben, kann dies zu Verletzungen oder Schäden am Produkt oder anderen Sachwerten führen. Dieses Produkt eignet sich nicht für die Verwendung durch Kinder ohne direkte Überwachung eines Erwachsenen. Versuchen Sie nicht ohne Genehmigung durch Horizon Hobby, Inc., das Produkt zu zerlegen, es mit inkompatiblen Komponenten zu verwenden oder auf jegliche Weise zu erweitern. Diese Bedienungsanleitung enthält Anweisungen für Sicherheit, Betrieb und Wartung. Es ist unbedingt notwendig, vor Zusammenbau, Einrichtung oder Verwendung alle Anweisungen und Warnhinweise im Handbuch zu lesen und zu befolgen, damit es bestimmungsgemäß betrieben werden kann und Schäden oder schwere Verletzungen vermieden werden.



ACHTUNG: Dieses Produkt kann während des Betriebes extrem heiß werden und zu Verbrennungen führen.

Nicht geeignet für Kinder unter 14 Jahren. Dies ist kein Spielzeug.

Park 280 Brushless Außenläufer Motor, 1800 Kv (EFLM1140) Bedienungsanleitung

Vielen Dank für den Kauf des E-flite® Park 280 Brushless Außenläufer Motors. Bitte lesen Sie vor dem Betrieb des Motors diese Anleitung sorgfältig durch. Sie finden dort auch wichtige Tipps zur Montage und Einstellung.

Eigenschaften

- Ideal für 3D Modelle von 142 g–227 g und Sport/Scale Modelle von 198 g–396 g
- Ideal für kleinere Indoor Modelle, die eine Leistung von bis zu 110 Watt benötigen
- Integriertes Prop-Saver Design
- Konstruiert für Motorspant Montage
- Extrem leise und mit 20,5g sehr leicht
- Qualitativ hochwertige Konstruktion mit Kugellagern und gehärteter Welle
- Geschlitztes 10Pol Außenläufer Design

Park 280, 1800 Kv (EFLM1140) Spezifikationen

Durchmesser: 22mm

Gehäuselänge: 26mm

Gewicht: 20.5 g

Wellendurchmesser: 2mm (0.08 in)

Kv: 1800 Umdrehungen per Volt

Leerlaufstrom: 0.680 @ 8V

Innenwiderstand: 0.281 Ohm

Dauerstrom: 8A

Max Strom kurz: 10A (max 15 Sekunden)

Watt: 110W

Akku: 2S–3S Li-Po oder 6- bis 8-Zellen Ni-MH/Ni-Cd

Propeller: 2S: 6 x 5 bis 7 x 5
3S: 5 x 5 bis 7 x 3.5

HINWEIS: Die Propeller Größe und Stromaufnahme variiert nach Propeller Design und Hersteller.

Brushless REGLER: 10A

HINWEIS: Die maximale Betriebstemperatur beträgt 104° für maximal 15 Sekunden. Verringern Sie das Gas um den Motor abkühlen zu lassen und ein überhitzen zu vermeiden. Der max. Spitzenstrom kurzzeitig beträgt 10A für 3D Flug.

Akku Auswahl

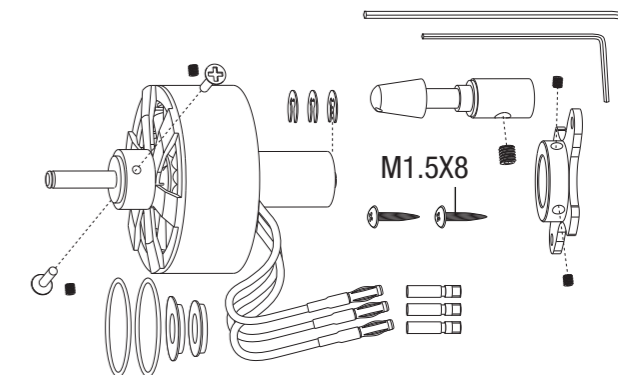
Wir empfehlen E-flite® or Thunder Power RC Akkus für den Park 280 Außenläufer Motor. Die Akku Technologie verbessert sich laufend, bitte sehen Sie daher in die Bedienungsanleitung Ihres Modell oder auf der Website des Herstellers nach.

Zubehör und Ersatzteile

Bitte sehen Sie dazu auf unseren Websites www.E-fliteRC.com oder www.horizonhobby.de für mehr Informationen inklusive unseren Motoren nach. Sie finden dort auch einen Vergleichstabelle unserer Motoren.

- EFLA110 Power Meter (misst Ampere, Volt, Watt und Kapazität)
- EFLA1010 10A Pro Brushless Regler
- EFLA248 Gold Stecker, 2mm (3)
- EFLM1141 Welle: Park 280 BL Außenläufer
- EFLM1142 Austausch Zubehör: Park 280
- EFLM1935 Prop Adapter (Bullet) mit Madenschraube, 2mm

Lieferumfang

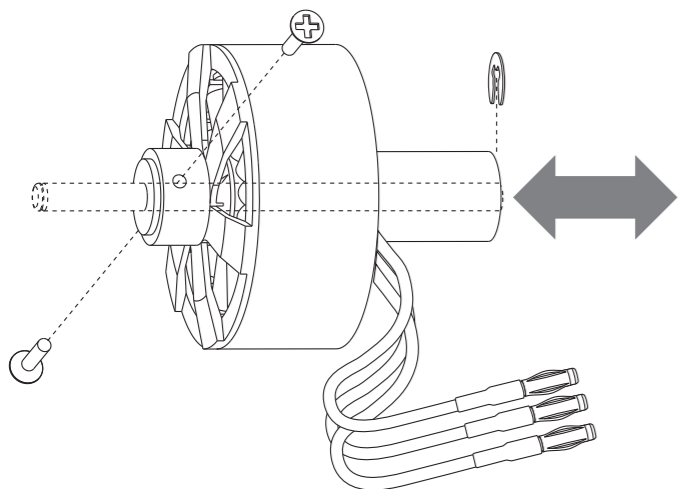


Betriebsanleitung

1. Dieser bürstenlose Motor erfordert einen sensorlosen Brushless Regler (ESC). Sollten Sie keinen geeigneten Regler verwenden, könnten Sie den Motor und Regler beschädigen. Bitte sehen Sie in der Bedienungsanleitung für die richtige Einstellung nach.
2. Löten Sie die drei Goldkontaktstecker an die Motorkabel an und verbinden diese mit den drei Reglernschlußkabeln. Isolieren Sie die drei Stecker bitte mit Schrumpfschlauch um Kurzschlüsse zu vermeiden. Die drei Stecker können in beliebiger Reihenfolge angeschlossen werden.
3. Stellen Sie sicher, dass der Motor in die richtige Richtung dreht. Falls nicht, tauschen Sie bitte zwei Reglerkabel um die Drehrichtung zu ändern.
4. Stellen Sie bitte sicher, dass der Motor bei Betrieb richtig gekühlt wird. Der Motor entwickelt bei Betrieb Hitze und es liegt allein in der Verantwortung des Nutzers für ausreichende Kühlung zu sorgen. Bitte beachten Sie, dass Überhitzung und daraus folgende Schäden nicht von der Garantie abgedeckt werden.
5. Ändern oder kürzen Sie niemals die Länge der Motorkabel. Entfernen Sie die Stecker und das Lötzinn durch Hitze.

HINWEIS: Das Ändern der Motorkabel ist eine unzulässige Änderung und könnte zum Ausfall des Motors führen.

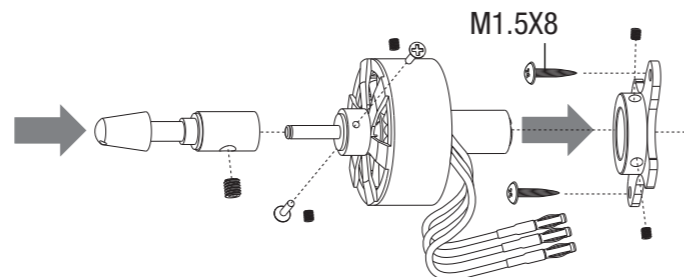
⚠ ACHTUNG: Halten Sie immer die Hände oder lose Gegenstände vom Motor fern, wenn der Motor am Strom angeschlossen ist. Mißachtung könnte zu Körperverletzungen oder Sachbeschädigungen führen.



Motor Montage X- Mount

Die Abbildungen zeigen die Montage des X- Mount Motorträgers am Motor.

1. Lösen Sie die Madenschraube am Motorträger.
2. Setzen Sie den X- Mount Motorträger auf das Gehäuse.
3. Schrauben Sie die Madenschraube am Motorträger ein und sichern damit den Motor.
4. Schrauben Sie den Motorträger am Motorspant mit den beiden M1,5 x 8 Schrauben an.
5. Sichern Sie den Propeller mit dem im Lieferumfang enthaltenen O-Ring. Führen Sie den O-Ring gerade oder in einer Acht zu den Schraubenköpfen oder montieren einen von den beiden Adaptern aus dem Lieferumfang.



Wechsel der Wellenrichtung

1. Lösen Sie die beiden Schrauben vorne am Motor. Geben Sie Hitze direkt auf die Schrauben um den Schraubensicherungslack zu lösen.

HINWEIS: Geben Sie zuviel Hitze oder Hitze direkt auf den Motor kann den Motor beschädigt werden.

2. Entfernen Sie von der Welle den kleinen schwarzen Sicherungsclip. Wickeln Sie den Motor in ein Tuch um den Sicherungsclip aufzufangen.
3. Drücken Sie die Welle durch den Motor. Klopfen Sie dazu mit einem kleinen Hammer vorsichtig auf die Welle.

⚠ ACHTUNG: Verbiegen oder beschädigen Sie die Welle nicht, da sie dadurch beschädigt werden könnte.

Austauschwellen sind unter der Art.Nr. EFLM1141 erhältlich.

4. Halten Sie die Welle im Motor und setzen den E-Clip in die Nut an der Welle. Ziehen Sie die beiden Schrauben am Motor wieder an.

HINWEIS: Die beiden Schrauben sollten mit wenig Schraubensicherungslack gesichert werden. Verwenden Sie nicht zuviel Schraubensicherungslack, da dieser sonst in den Motor gelangen könnte.

Garantie und Service Informationen

Warnung

Ein ferngesteuertes Modell ist kein Spielzeug. Es kann, wenn es falsch eingesetzt wird, zu erheblichen Verletzungen bei Lebewesen und Beschädigungen an Sachgütern führen. Betreiben Sie Ihr RC-Modell nur auf freien Plätzen und beachten Sie alle Hinweise der Bedienungsanleitung des Modells wie auch der Fernsteuerung.

Garantiezeitraum

Exklusive Garantie → Horizon Hobby Inc (Horizon) garantiert, dass das gekaufte Produkt (Produkt) frei von Material- und Montagefehlern ist. Der Garantiezeitraum entspricht den gesetzlichen Bestimmung des Landes, in dem das Produkt erworben wurde. In Deutschland beträgt der Garantiezeitraum 6 Monate und der Gewährleistungszeitraum 18 Monate nach dem Garantiezeitraum.

Einschränkungen der Garantie

(a) Die Garantie wird nur dem Erstkäufer (Käufer) gewährt und kann nicht übertragen werden. Der Anspruch des Käufers besteht in der Reparatur oder dem Tausch im Rahmen dieser Garantie. Die Garantie erstreckt sich ausschließlich auf Produkte, die bei einem autorisierten Horizon Händler erworben wurden. Verkäufe an dritte werden von dieser Garantie nicht gedeckt. Garantieansprüche werden nur angenommen, wenn ein gültiger Kaufnachweis erbracht wird. Horizon behält sich das Recht vor, diese Garantiebestimmungen ohne Ankündigung zu ändern oder modifizieren und widerruft dann bestehende Garantiebestimmungen.

(b) Horizon übernimmt keine Garantie für die Verkaufbarkeit des Produktes, die Fähigkeiten und die Fitness des Verbrauchers für einen bestimmten Einsatzzweck des Produktes. Der Käufer allein ist dafür verantwortlich, zu prüfen, ob das Produkt seinen Fähigkeiten und dem vorgesehenen Einsatzzweck entspricht.

(c) Ansprüche des Käufers → Es liegt ausschließlich im Ermessen von Horizon, ob das Produkt, bei dem ein Garantiefall festgestellt wurde, repariert oder ausgetauscht wird. Dies sind die exklusiven Ansprüche des Käufers, wenn ein Defekt festgestellt wird.

Horizon behält sich vor, alle eingesetzten Komponenten zu prüfen, die in den Garantiefall einbezogen werden können. Die Entscheidung zur Reparatur oder zum Austausch liegt nur bei Horizon. Die Garantie schließt kosmetische Defekte oder Defekte, hervorgerufen durch höhere Gewalt, falsche Behandlung des Produktes, falscher Einsatz des Produktes, kommerziellen Einsatz oder Modifikationen irgendwelcher Art aus.

Die Garantie deckt Schäden, die durch falschen Einbau, falsche Handhabung, Unfälle, Betrieb, Service oder Reparaturversuche, die nicht von Horizon ausgeführt wurden, aus. Rücksendungen durch den Käufer direkt an Horizon oder eine seiner Landesvertretung bedürfen der schriftlichen.

Schadensbeschränkung

Horizon ist nicht für direkte oder indirekte Folgeschäden, Einkommensausfälle oder kommerzielle Verluste, die in irgendeinem Zusammenhang mit dem Produkt stehen nicht verantwortlich, unabhängig ab ein Anspruch im Zusammenhang miteinander Vertrag, der Garantie oder der Gewährleistung erhoben werden. Horizon wird darüber hinaus keine Ansprüche aus einem Garantiefall akzeptieren, die über den individuellen Wert des Produktes hinaus gehen. Horizon hat keine Einfluss auf den Einbau, die Verwendung oder die Wartung des Produktes oder etwaiger Produktkombinationen, die vom Käufer gewählt werden. Horizon übernimmt keine Garantie und akzeptiert keine Ansprüche für in der Folge auftretende Verletzungen oder Beschädigungen. Mit der Verwendung und dem Einbau des Produktes akzeptiert der Käufer alle aufgeführten Garantiebestimmungen ohne Einschränkungen und Vorbehalte.

Wenn Sie als Käufer nicht bereit sind, diese Bestimmungen im Zusammenhang mit der Benutzung des Produktes zu akzeptieren, werden Sie gebeten, dass Produkt in unbenutztem Zustand in der Originalverpackung vollständig bei dem Verkäufer zurückzugeben.

Sicherheitshinweise

Dieses ist ein hochwertiges Hobby Produkt und kein Spielzeug. Es muss mit Vorsicht und Umsicht eingesetzt werden und erfordert einige mechanische wie auch mentale Fähigkeiten. Ein Versagen, das Produkt sicher und umsichtig zu betreiben kann zu Verletzungen von Lebewesen und Sachbeschädigungen erheblichen Ausmaßes führen. Dieses Produkt ist nicht für den Gebrauch durch Kinder ohne die Aufsicht eines Erziehungsberechtigten vorgesehen. Die Anleitung enthält Sicherheitshinweise und Vorschriften sowie Hinweise für die Wartung und den Betrieb des Produktes. Es ist unabdingbar, diese Hinweise vor der ersten Inbetriebnahme zu lesen und zu verstehen. Nur so kann der falsche Umgang verhindert und Unfälle mit Verletzungen und Beschädigungen vermieden werden.

Fragen, Hilfe und Reparaturen

Ihr lokaler Fachhändler und die Verkaufsstelle können eine Garantiebeurteilung ohne Rücksprache mit Horizon nicht durchführen. Dies gilt auch für Garantiereparaturen. Deshalb kontaktieren Sie in einem solchen Fall den Händler, der sich mit Horizon kurz schließen wird, um eine sachgerechte Entscheidung zu fällen, die Ihnen schnellst möglich hilft.

Wartung und Reparatur

Muss Ihr Produkt gewartet oder repariert werden, wenden Sie sich entweder an Ihren Fachhändler oder direkt an Horizon. Packen Sie das Produkt sorgfältig ein. Beachten Sie, dass der Originalkarton in der Regel nicht ausreicht, um beim Versand nicht beschädigt zu werden. Verwenden Sie einen Paketdienstleister mit einer Tracking Funktion und Versicherung, da Horizon bis zur Annahme keine Verantwortung für den Versand des Produktes übernimmt. Bitte legen Sie dem Produkt einen Kaufbeleg bei, sowie eine ausführliche Fehlerbeschreibung und eine Liste aller eingesendeten Einzelkomponenten. Weiterhin benötigen wir die vollständige Adresse, eine Telefonnummer für Rückfragen, sowie eine Email Adresse.

Garantie und Reparaturen

Garantieanfragen werden nur bearbeitet, wenn ein Originalkaufbeleg von einem autorisierten Fachhändler beiliegt, aus dem der Käufer und das Kaufdatum hervorgeht. Sollte sich ein Garantiefall bestätigen wird das Produkt repariert oder ersetzt. Diese Entscheidung obliegt einzig Horizon Hobby.

Kostenpflichtige Reparaturen

Liegt eine kostenpflichtige Reparatur vor, erstellen wir einen Kostenvorschlag, den wir Ihrem Händler übermitteln. Die Reparatur wird erst vorgenommen, wenn wir die Freigabe des Händlers erhalten. Der Preis für die Reparatur ist bei Ihrem Händler zu entrichten. Bei kostenpflichtigen Reparaturen werden mindestens 30 Minuten Werkstattzeit und die Rückversandkosten in Rechnung gestellt. Sollten wir nach 90 Tagen keine Einverständniserklärung zur Reparatur vorliegen haben, behalten wir uns vor, das Produkt zu vernichten oder anderweitig zu verwerten.

⚠ ACHTUNG: Kostenpflichtige Reparaturen nehmen wir nur für Elektronik und Motoren vor. Mechanische Reparaturen, besonders bei Hubschraubern und RC-Cars sind extrem aufwendig und müssen deshalb vom Käufer selbst vorgenommen werden.

Garantie et service des coordonnées

France	Horizon Hobby SAS	14 Rue Gustave Eiffel Zone d'Activité du Réveil Matin 91230 Montgeron	+33 (0) 1 60 47 44 70 infofrance@horizonhobby.com
--------	-------------------	---	--

Informations de Conformité pour l'Union Européenne


Déclaration de conformité

(conformément à la norme ISO/IEC 17050-1)

No. HH2011080601

Produit(s): EFL Park 280 Brushless Outrunner Motor 1800Kv

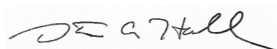
Numéro(s) d'article: EFLM1140

L'objet de la déclaration décrit ci-dessus est en conformité avec les exigences des spécifications énumérées ci-après, suivant les conditions de la directive CEM 2004/108/EC:

EN61000-6-1:2007

EN61000-6-3:2007

Signé en nom et pour le compte de:
Horizon Hobby, Inc.
Champaign, IL USA
6 août 2011



Steven A. Hall
Vice-président

Gestion Internationale des Activités et des Risques
Horizon Hobby, Inc.

**Elimination dans l'Union Européenne**

Ce produit ne doit pas être éliminé avec les ordures ménagères. Il est de la responsabilité de l'utilisateur de remettre le produit à un point de collecte officiel des déchets d'équipements électriques. Cette procédure permet de garantir le respect de l'environnement et l'absence de sollicitation excessive des ressources naturelles. Elle protège de plus le bien-être de la communauté humaine. Pour plus d'informations quant aux lieux d'éliminations des déchets d'équipements électriques, vous pouvez contacter votre mairie ou le service local de traitement des ordures ménagères.


REMARQUE

La totalité des instructions, garanties et autres documents est sujette à modification à la seule discrétion d'Horizon Hobby, Inc. Pour obtenir la documentation à jour, rendez-vous sur le site www.horizonhobby.com et cliquez sur l'onglet de support de ce produit.

Signification de certains termes spécifiques

Les termes suivants sont utilisés dans l'ensemble du manuel pour indiquer différents niveaux de danger lors de l'utilisation de ce produit:

REMARQUE: procédures qui, si elles ne sont pas suivies correctement, peuvent entraîner des dégâts matériels ET potentiellement un risque faible de blessures.

ATTENTION: procédures qui, si elles ne sont pas suivies correctement, peuvent entraîner des dégâts matériels ET des blessures graves.

AVERTISSEMENT: procédures qui, si elles ne sont pas suivies correctement, peuvent entraîner des dégâts matériels et des blessures graves OU engendrer une probabilité élevée de blessure superficielle.



AVERTISSEMENT: lisez la TOTALITÉ du manuel d'utilisation afin de vous familiariser avec les caractéristiques du produit avant de le faire fonctionner. Une utilisation incorrecte du produit peut entraîner l'endommagement du produit lui-même, ainsi que des risques de dégâts matériels, voire de blessures graves.

Ceci est un produit de loisirs sophistiqué. Il doit être manipulé avec prudence et bon sens et requiert des aptitudes de base en mécanique. Toute utilisation de ce produit ne respectant pas les principes de sécurité et de responsabilité peut entraîner des dégâts matériels, endommager le produit et provoquer des blessures. Ce produit n'est pas destiné à être utilisé par des enfants sans la surveillance directe d'un adulte. N'essayez pas de démonter le produit, de l'utiliser avec des composants incompatibles ou d'en améliorer les performances sans l'accord d'Horizon Hobby, Inc. Ce manuel comporte des instructions relatives à la sécurité, au fonctionnement et à l'entretien. Il est capital de lire et de respecter toutes les instructions et tous les avertissements du manuel avant l'assemblage, le réglage ou l'utilisation afin de manipuler correctement l'appareil et d'éviter tout dégât matériel ainsi que toute blessure grave.



ATTENTION: ce produit peut devenir extrêmement brûlant durant l'utilisation.

14 ans et plus. Ceci n'est pas un jouet.

Instructions concernant Le moteur brushless park 280 à cage tournante, 1800Kv, (EFLM1140)

Nous vous remercions d'avoir fait l'acquisition du moteur E-flite Park 280 brushless à cage tournante. Avant utilisation, veuillez lire avec attention ce manuel, vous y trouverez des informations importantes concernant l'installation et des conseils d'utilisation.

Caractéristiques générales

- Idéal pour les modèles 3D de 142g à 227g et les modèles de loisir de 198g à 396g.
- Idéal pour les petits modèles indoor nécessitant jusqu'à 110W
- Sauve hélice intégré
- Conçu pour un montage direct sur cloison pare-feu.
- Extrêmement léger et silencieux, seulement 20.5g
- Construction de très haute qualité, monté sur roulements et arbre en acier trempé.
- 10 pôles

Caractéristiques techniques**Diamètre:** 22mm**Longueur du corps:** 26mm**Masse:** 20.5 g**Diamètre de l'arbre:** 2mm**Kv:** 1800 tours par volt**Lo:** 0.68 A @ 8V**Rm:** 0.281 ohms (résistance moteur)**Courant continu:** 8A**Courant maximum en crête:** 10A**Puissance:** jusqu'à 110W**Éléments:** 6 à 8 Nicd/NimH ou Li-Po 2S à 3S

Hélices recommandées: 2S: 6 x 5 à 7 x 5
3S: 5 x 5 à 7 x 3.5

REMARQUE: Les caractéristiques et performances varient en fonction des fabricants.

Contrôleur: 10A

REMARQUE: La température en fonctionnement ne doit pas dépasser 104°C et le fonctionnement sous 10A ne doit pas dépasser 15 secondes. Laissez le moteur refroidir après utilisation.

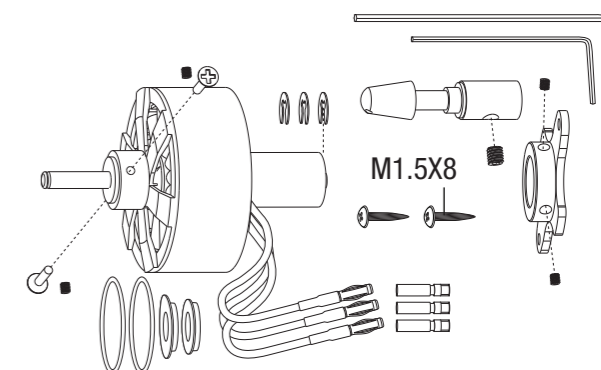
Choix des batteries

Nous vous recommandons les batteries E-flite pour alimenter votre moteur Park 280 brushless. La technologie des batterie évolue continuellement, veuillez vous référer au manuel de votre modèle pour choisir la batterie adaptée.

Pièces détachées et accessoires

Consultez le site www.E-fliteRC.com ou www.horizonhobby.com pour découvrir notre gamme de motorisations brushless. Nous avons posté un tableau comparatif des caractéristiques moteur afin de vous guider dans vos choix.

- EFLA110 Multimètre (mesure l'intensité, la tension, la puissance et la capacité)
- EFLA1010 Contrôleur brushless 10A pro
- EFLA248 Set de connecteurs plaqués or, 2mm (3)
- EFLM1141 Arbre moteur
- EFLM1142 Accessoires de remplacement
- EFLM1935 Adaptateur d'hélice, avec vis de maintien, 2mm

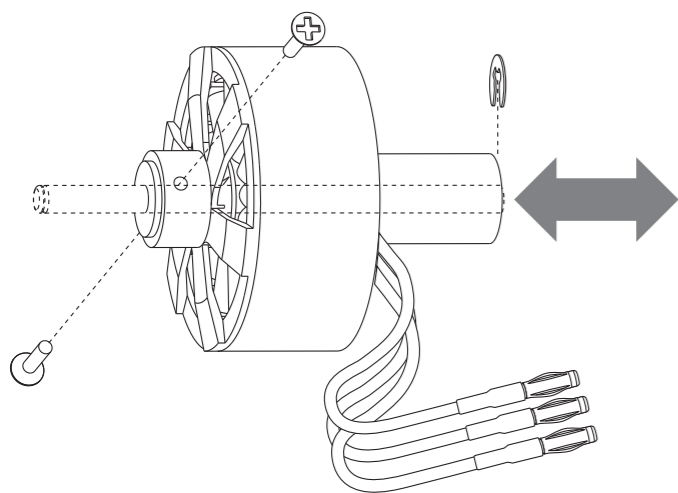
Contenu de la boîte

Instructions d'utilisation

1. Ce moteur brushless doit être alimenté par un contrôleur brushless sensorless. Si vous utilisez un contrôleur d'un autre type vous endommagerez le moteur et le contrôleur. Suivez toutes les instructions d'utilisation.
2. Soudez 3 connecteurs (EFLA248) sur les câbles de sortie de votre contrôleur, utilisez de la gaine thermo-rétractable pour isoler et éviter les courts circuits. Connectez les 3 prises au moteur.
3. Vérifiez que le moteur tourne dans le sens correct. Si vous devez inverser le sens de rotation, inversez le branchement de deux des câbles qui font la liaison entre le moteur et le contrôleur.
4. Vérifiez que le moteur profite d'une bonne circulation de l'air autour de lui. Le moteur génère de la chaleur quand il est à la puissance maximale. L'utilisateur doit s'assurer que le moteur ne risque pas de surchauffer. Les dégâts causés au moteur par sur chauffe ne sont pas couverts par la garantie.
5. Ne jamais changer la longueur ou la section des câbles. Retirez uniquement les connecteur en les dessoudant.

REMARQUE: Toute modification des câbles du moteur entraînera des dysfonctionnements.

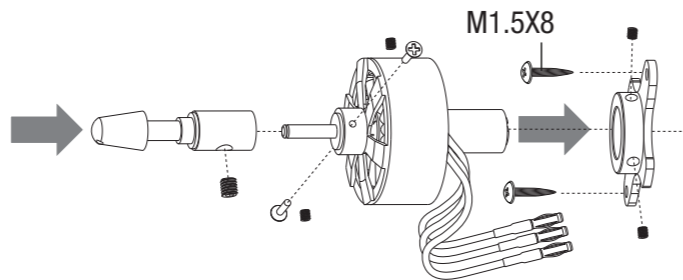
ATTENTION: Ne jamais manipuler le moteur ou l'hélice quand le moteur est sous tension. Risque de blessures et de dégâts si l'hélice se met à tourner.



Installation du moteur : Support X

L'illustration montre l'installation du moteur en utilisant le support en X.

1. Insérez les vis sans tête dans le support en X.
2. Fixez le support en X à la cloison pare-feu en utilisant les deux vis (M1.5x8).
3. Glissez le moteur dans le support en X.
4. Serrez les vis sans tête.
5. Attachez l'hélice à l'aide des joints toriques fournis de façon droite ou croisée comme sur la figure 8. Deux adaptateurs de centrage de tailles différentes sont inclus.



Changement du sens de l'arbre

1. Chauffez les deux vis afin de faire fondre le frein filet mis à la fabrication, puis desserrez ces deux vis.
2. Retirez le petit circlips noir logé contre le roulement.
3. Faites glisser l'arbre. Un léger coup d'un petit marteau est requis pour débloquer l'arbre.

ATTENTION: Ne jamais maintenir l'arbre avec une pince, risque d'endommagement.

Des arbre de remplacement (EFLM1141) sont disponibles séparément.

4. Fixez l'arbre en glissant le circlips dans la rainure et en serrant les deux vis de la cage.

REMARQUE: Appliquez du frein filet bleu sur les filets des vis, NE PAS utiliser une grande quantité de frein filet, il pourrait couler dans le moteur.

Garantie et réparations

Durée de la garantie

Garantie exclusive - Horizon Hobby, Inc. (Horizon) garantit que le Produit acheté (le « Produit ») sera exempt de défauts matériels et de fabrication à sa date d'achat par l'Acheteur. La durée de garantie correspond aux dispositions légales du pays dans lequel le produit a été acquis. La durée de garantie est de 6 mois et la durée d'obligation de garantie de 18 mois à l'expiration de la période de garantie.

Limitations de la garantie

(a) La garantie est donnée à l'acheteur initial (« Acheteur ») et n'est pas transférable. Le recours de l'acheteur consiste en la réparation ou en l'échange dans le cadre de cette garantie. La garantie s'applique uniquement aux produits achetés chez un revendeur Horizon agréé. Les ventes faites à des tiers ne sont pas couvertes par cette garantie. Les revendications en garantie seront acceptées sur fourniture d'une preuve d'achat valide uniquement. Horizon se réserve le droit de modifier les dispositions de la présente garantie sans avis préalable et révoque alors les dispositions de garantie existantes.

(b) Horizon n'endosse aucune garantie quant à la vendabilité du produit ou aux capacités et à la forme physique de l'utilisateur pour une utilisation donnée du produit. Il est de la seule responsabilité de l'acheteur de vérifier si le produit correspond à ses capacités et à l'utilisation prévue.

(c) Recours de l'acheteur – Il est de la seule discrétion d'Horizon de déterminer si un produit présentant un cas de garantie sera réparé ou échangé. Ce sont là les recours exclusifs de l'acheteur lorsqu'un défaut est constaté.

Horizon se réserve la possibilité de vérifier tous les éléments utilisés et susceptibles d'être intégrés dans le cas de garantie. La décision de réparer ou de remplacer le produit est du seul ressort d'Horizon. La garantie exclut les défauts esthétiques ou les défauts provoqués par des cas de force majeure, une manipulation incorrecte du produit, une utilisation incorrecte ou commerciale de ce dernier ou encore des modifications de quelque nature qu'elles soient.

La garantie ne couvre pas les dégâts résultant d'un montage ou d'une manipulation erronés, d'accidents ou encore du fonctionnement ainsi que des tentatives d'entretien ou de réparation non effectuées par Horizon. Les retours effectués par le fait de l'acheteur directement à Horizon ou à l'une de ses représentations nationales requièrent une confirmation écrite.

Limitation des dégâts

Horizon ne saurait être tenu pour responsable de dommages conséquents directs ou indirects, de pertes de revenus ou de pertes commerciales, liés de quelque manière que ce soit au produit et ce, indépendamment du fait qu'un recours puisse être formulé en relation avec un contrat, la garantie ou l'obligation de garantie. Par ailleurs, Horizon n'acceptera pas de recours issus d'un cas de garantie lorsque ces recours dépassent la valeur unitaire du produit. Horizon n'exerce aucune influence sur le montage, l'utilisation ou la maintenance du produit ou sur d'éventuelles combinaisons de produits choisies par l'acheteur. Horizon ne prend en compte aucune garantie et n'accepte aucun recours pour les blessures ou les dommages pouvant en résulter. En utilisant et en montant le produit, l'acheteur accepte sans restriction ni réserve toutes les dispositions relatives à la garantie figurant dans le présent document.

Si vous n'êtes pas prêt, en tant qu'acheteur, à accepter ces dispositions en relation avec l'utilisation du produit, nous vous demandons de restituer au vendeur le produit complet, non utilisé et dans son emballage d'origine.

Indications relatives à la sécurité

Ceci est un produit de loisirs perfectionné et non un jouet. Il doit être utilisé avec précaution et bon sens et nécessite quelques aptitudes mécaniques ainsi que mentales. L'incapacité à utiliser le produit de manière sûre et raisonnable peut provoquer des blessures et des dégâts matériels conséquents. Ce produit n'est pas destiné à être utilisé par des enfants sans la surveillance par un tuteur. La notice d'utilisation contient des indications relatives à la sécurité ainsi que des indications concernant la maintenance et le fonctionnement du produit. Il est absolument indispensable de lire et de comprendre ces indications avant la première mise en service. C'est uniquement ainsi qu'il sera possible d'éviter une manipulation erronée et des accidents entraînant des blessures et des dégâts.

Questions, assistance et réparations

Votre revendeur spécialisé local et le point de vente ne peuvent effectuer une estimation d'éligibilité à l'application de la garantie sans avoir consulté Horizon. Cela vaut également pour les réparations sous garantie. Vous voudrez bien, dans un tel cas, contacter le revendeur qui conviendra avec Horizon d'une décision appropriée, destinée à vous aider le plus rapidement possible.

Maintenance et réparation

Si votre produit doit faire l'objet d'une maintenance ou d'une réparation, adressez-vous soit à votre revendeur spécialisé, soit directement à Horizon. Emballez le produit soigneusement. Veuillez noter que le carton d'emballage d'origine ne suffit pas, en règle générale, à protéger le produit des dégâts pouvant survenir pendant le transport. Faites appel à un service de messagerie proposant une fonction de suivi et une assurance, puisque Horizon ne prend aucune responsabilité pour l'expédition du produit jusqu'à sa réception acceptée. Veuillez joindre une preuve d'achat, une description détaillée des défauts ainsi qu'une liste de tous les éléments distincts envoyés. Nous avons de plus besoin d'une adresse complète, d'un numéro de téléphone (pour demander des renseignements) et d'une adresse de courriel.

Garantie et réparations

Les demandes en garantie seront uniquement traitées en présence d'une preuve d'achat originale émanant d'un revendeur spécialisé agréé, sur laquelle figurent le nom de l'acheteur ainsi que la date d'achat. Si le cas de garantie est confirmé, le produit sera réparé. Cette décision relève uniquement de Horizon Hobby.

Réparations payantes

En cas de réparation payante, nous établissons un devis que nous transmettons à votre revendeur. La réparation sera seulement effectuée après que nous ayons reçu la confirmation du revendeur. Le prix de la réparation devra être acquitté au revendeur. Pour les réparations payantes, nous facturons au minimum 30 minutes de travail en atelier ainsi que les frais de réexpédition. En l'absence d'un accord pour la réparation dans un délai de 90 jours, nous nous réservons la possibilité de détruire le produit ou de l'utiliser autrement.

ATTENTION: Nous n'effectuons de réparations payantes que pour les composants électroniques et les moteurs. Les réparations touchant à la mécanique, en particulier celles des hélicoptères et des voitures radiocommandées, sont extrêmement coûteuses et doivent par conséquent être effectuées par l'acheteur lui-même.

Informazioni per i contatti

Germania	Horizon Technischer Service	Hamburger Str. 10 25335 Elmshorn Germany	+49 4121 46199 66 service@horizonhobby.de
----------	-----------------------------	--	--

Informazioni sulla conformità per l'Unione Europea

CE Dichiarazione di conformità

(in conformità con ISO/IEC 17050-1)

No. HH2011080601

Prodotto(i): EFL Park 280 Brushless Outrunner Motor 1800Kv

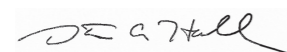
Numero(i) articolo: EFLM1140

L'oggetto della dichiarazione citato sopra è conforme a requisiti delle specifiche elencate qui di seguito, seguendo le disposizioni della direttiva europea CEM 2004/108/EC:

EN61000-6-1:2007

EN61000-6-3:2007

Firmato per conto di:
Horizon Hobby, Inc.
Champaign, IL USA
6 agosto 2011



Steven A. Hall
Vice Presidente

Operazioni internazionali e Gestione dei rischi
Horizon Hobby, Inc.



Smaltimento all'interno dell'Unione Europea

Questo prodotto non deve essere smaltito assieme ai rifiuti domestici. Al contrario, è responsabilità dell'utente lo smaltimento di tali rifiuti, che devono essere portati in un centro di raccolta designato per il riciclaggio di rifiuti elettrici e apparecchiature elettroniche. La raccolta differenziata e il riciclaggio di tali rifiuti provenienti da apparecchiature nel momento dello smaltimento aiuteranno a preservare le risorse naturali e garantiranno un riciclaggio adatto a proteggere il benessere dell'uomo e dell'ambiente. Per maggiori informazioni sui punti di riciclaggio si prega di contattare il proprio ufficio locale, il servizio di smaltimento rifiuti o il negozio presso il quale è stato acquistato il prodotto.

E-flite®

AVVISO

Tutte le istruzioni, le garanzie e gli altri documenti pertinenti sono soggetti a cambiamenti a totale discrezione di Horizon Hobby, Inc. Per una documentazione aggiornata sul prodotto, visitare il sito horizonhobby.com e fare clic sulla sezione Support del prodotto.

Significato dei termini usati

Nella documentazione relativa al prodotto vengono utilizzati i seguenti termini per indicare i vari livelli di pericolo potenziale durante l'uso del prodotto:

AVVISO: indica procedure che, se non debitamente seguite, possono determinare il rischio di danni alle cose e il rischio minimo o nullo di lesioni alle persone.

ATTENZIONE: indica procedure che, se non debitamente seguite, determinano il rischio di danni alle cose e di gravi lesioni alle persone.

AVVERTENZA: indica procedure che, se non debitamente seguite, determinano il rischio di danni alle cose, danni collaterali e gravi lesioni alle persone o il rischio elevato di lesioni superficiali alle persone.



AVVERTENZA: leggere **TUTTO** il manuale di istruzioni e familiarizzare con le caratteristiche del prodotto prima di farlo funzionare. Un uso improprio del prodotto può causare danni al prodotto stesso e alle altre cose e gravi lesioni alle persone.

Questo è un prodotto sofisticato per appassionati di modellismo. Deve essere azionato in maniera attenta e responsabile e richiede alcune conoscenze basilari di meccanica. L'uso improprio o irresponsabile di questo prodotto può causare lesioni alle persone e danni al prodotto stesso o alle altre cose. Questo prodotto non deve essere utilizzato dai bambini senza la diretta supervisione di un adulto. Non tentare di smontare, utilizzare componenti incompatibili o modificare il prodotto in nessun caso senza previa approvazione di Horizon Hobby, Inc. Questo manuale contiene le istruzioni per la sicurezza, l'uso e la manutenzione del prodotto. È fondamentale leggere e seguire tutte le istruzioni e le avvertenze del manuale prima di montare, impostare o utilizzare il prodotto, al fine di utilizzarlo correttamente e di evitare di causare danni alle cose o gravi lesioni alle persone.



ATTENZIONE: questo prodotto potrebbe diventare estremamente caldo durante l'uso e causare ustioni.

Almeno 14 anni. Non è un giocattolo.

Istruzioni Park 280 Brushless Outrunner Motor, 1800Kv (EFLM1140)

Grazie per aver acquistato questo motore brushless a cassa rotante E-flite® Park 280. Si raccomanda di leggere attentamente le istruzioni prima dell'uso per trovare importanti informazioni sul montaggio e consigli per il setup.

Caratteristiche

- Ideale per aerei 3D da 140–230 g di peso e aerei sport o riproduzione da 200 - 400 g.
- Ideale per piccoli aerei che richiedano una potenza di circa 110 W.
- Sistema salvaelica integrato.
- Previsto per il montaggio sull'ordinata.
- Silenzioso e leggero, pesa solo 20,5 g.
- Costruzione di alta qualità con cuscinetti a sfere e albero in acciaio indurito.
- Progetto a cassa rotante con 10 poli.

Dati tecnici del Park 280, 1800 Kv (EFLM1140)

Diametro: 22mm

Lunghezza solo corpo: 26mm

Peso: 20,5 g

Diametro dell'albero: 2mm

Giri/Volt (Kv): 1800

Corrente a vuoto (I₀): 0,680A @ 8V

Resistenza (R_i): 0.281 ohms

Corrente in funzionamento continuo: 8A

Corrente massima (per 15 s): 10A

Potenza: 110W

CellE: 6–8 Ni-MH/Ni-Cd oppure 2–3 Li-Po

Eliche consigliate: 2S: 6 x 5–7 x 5
3S: 5 x 5–7 x 3.5

AVVISO: l'assorbimento e le prestazioni dell'elica potrebbero cambiare in base al suo profilo e al produttore.

Regolatore ESC: 10A

AVVISO: La temperatura massima di funzionamento è 104° C e la massima corrente viene sopportata per 15 secondi. Ogni tanto conviene ridurre l'acceleratore perché il motore possa raffreddarsi, specialmente quando viene usato alla massima corrente consentita. Nel volo 3D si potranno raggiungere i 10 A di assorbimento del motore, ma solo per brevi periodi.

Scelta della batteria

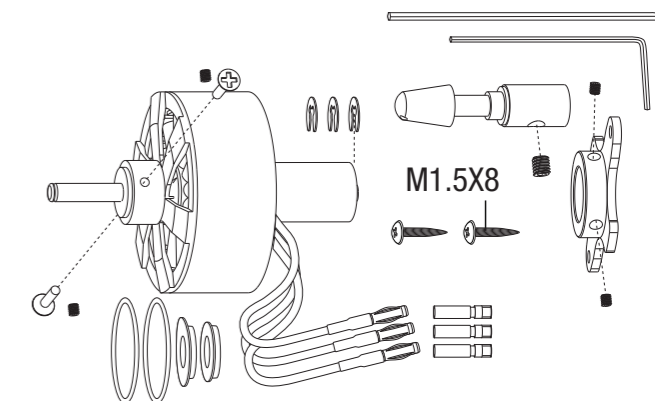
Per questo motore si consiglia di usare batterie E-flite® o Thunder Power a seconda delle applicazioni. La tecnologia delle batterie è in continuo cambiamento e i produttori migliorano e aggiornano le loro batterie. Conviene perciò far riferimento alle indicazioni del manuale del modello o al nostro sito per avere consigli aggiornati.

Accessori e ricambi

Si veda il nostro sito www.E-fliteRC.com oppure www.horizonhobby.com per avere informazioni complete ed aggiornate sulla nostra linea di motori brushless, dove si può anche trovare una tabella comparativa.

- EFLA110 Misuratore di potenza
- EFLA1010 Regolatore pro 10A
- EFLA248 Set di connettori gold da 2 mm (3)
- EFLM1141 Albero motore
- EFLM1142 Meccanica di ricambio per Park 280
- EFLM1926 Adattatore elica con grani per albero da 2 mm

Contenuto del kit

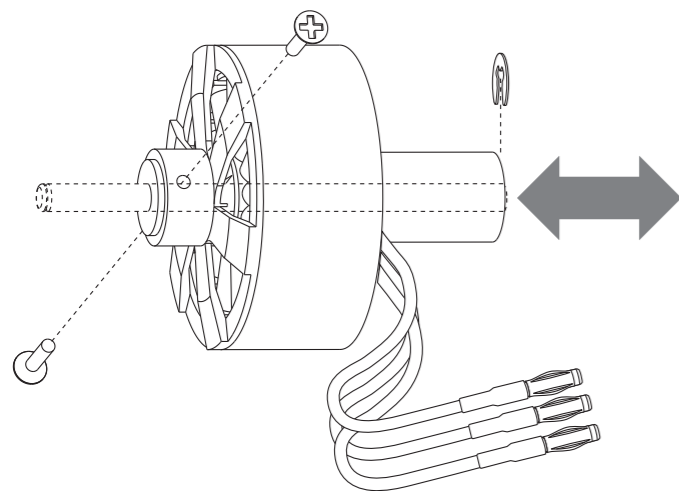


Istruzioni per l'uso

1. Questo motore richiede un regolatore (ESC) per motori brushless senza sensori. Se non si usa il regolatore adatto si rischia di danneggiare sia il motore che il regolatore. Bisogna fare riferimento alle istruzioni del regolatore per avere le informazioni per un uso corretto con questo motore e con la relativa elica.
2. Saldare ai fili del motore i 3 connettori forniti (EFLA248) per poterlo collegare ai corrispondenti connettori all'uscita del regolatore (ESC) in qualsiasi ordine. Si raccomanda di usare tubetto termorestringente per coprire le saldature ed evitare cortocircuiti.
3. Verificare che il motore giri nel verso giusto, in caso contrario basta invertire il collegamento di 2 dei 3 fili che vanno dal motore al regolatore.
4. Verificare che il motore sia montato sul modello in modo da avere una buona circolazione d'aria intorno ad esso, per evitare un surriscaldamento, specialmente quando funziona alla massima potenza. Un eventuale danneggiamento del motore causato da surriscaldamento non è coperto da garanzia.
5. Non tagliare o comunque modificare la lunghezza o la dimensione dei fili che escono dal motore. Per togliere i connettori usare solo il saldatore.

AVVISO: non è ammesso cambiare i fili del motore perché si potrebbe avere un malfunzionamento.

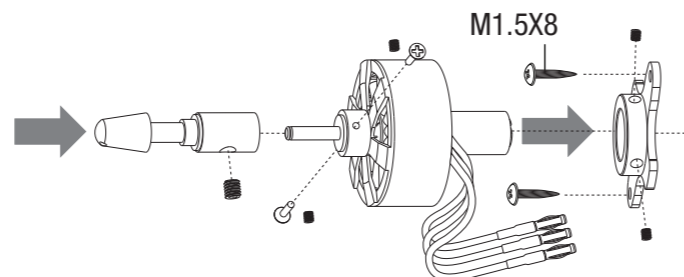
ATTENZIONE: quando il motore è alimentato si raccomanda di usare la massima cautela perché potrebbe avviarsi in qualsiasi momento facendo girare l'elica ad alto numero di giri e causando danni o ferite. Perciò conviene stare a debita distanza dal motore e dall'elica.



Montare il motore usando il supporto a X

La figura mostra come si monta il motore con il suo supporto a X sull'ordinata parafiamma.

1. Allentare i grani sul supporto a X.
2. Inserire il supporto a X sull'alloggiamento esterno dell'albero.
3. Stringere i grani per fissare il motore al supporto a X.
4. Fissare il supporto a X all'ordinata usando le 2 viti fornite (M1,5x8).
5. Fissare l'elica all'albero motore con gli O-ring forniti (diritti o incrociati a 8 sull'elica e agganciati sulla testa delle viti) e l'adattatore per l'elica (ci sono 2 misure fornite nel kit).



Cambiare l'orientamento dell'albero

1. Allentare le 2 viti nella parte anteriore del motore riscaldandole per allentare la presa del frenafili.
- AVVISO:** Scaldando troppo l'albero o l'intero motore, lo si potrebbe danneggiare.
2. Togliere dall'albero la piccola clip a E che si trova contro il cuscinetto. Avvolgere il motore con uno straccio per non perdere la clip quando viene rimossa dall'albero.
3. Spingere l'albero attraverso il motore. È necessario un piccolo martello per battere leggermente sull'albero.

ATTENZIONE: a non piegare o danneggiare l'albero per evitare poi vibrazioni o malfunzionamento del motore.

L'albero di ricambio è disponibile con il codice EFLM1141.

4. Fissare l'albero al motore rimettendo la clip a E nella sua gola alla fine dell'albero e stringendo le 2 viti nella parte anteriore del motore.

AVVISO: Alla fine del montaggio applicare un po' di frenafili. NON usarne troppo per evitare che coli dentro al motore.

Durata della Garanzia

Periodo di Garanzia

Garanzia esclusiva - Horizon Hobby, Inc., (Horizon) garantisce che i prodotti acquistati (il "Prodotto") sono privi di difetti relativi ai materiali e di eventuali errori di montaggio. Il periodo di garanzia è conforme alle disposizioni legali del paese nel quale il prodotto è stato acquistato. Tale periodo di garanzia ammonta a 6 mesi e si estende ad altri 18 mesi dopo tale termine.

Limiti della garanzia

(a) La garanzia è limitata all'acquirente originale (Acquirente) e non è cedibile a terzi. L'acquirente ha il diritto a far riparare o a far sostituire la merce durante il periodo di questa garanzia. La garanzia copre solo quei prodotti acquistati presso un rivenditore autorizzato Horizon. Altre transazioni di terze parti non sono coperte da questa garanzia. La prova di acquisto è necessaria per far valere il diritto di garanzia. Inoltre, Horizon si riserva il diritto di cambiare o modificare i termini di questa garanzia senza alcun preavviso e di escludere tutte le altre garanzie già esistenti.

(b) Horizon non si assume alcuna garanzia per la disponibilità del prodotto, per l'adeguatezza o l'idoneità del prodotto a particolari previsti dall'utente. È sola responsabilità dell'acquirente il fatto di verificare se il prodotto è adatto agli scopi da lui previsti.

(c) Richiesta dell'acquirente – spetta soltanto a Horizon, a propria discrezione riparare o sostituire qualsiasi prodotto considerato difettoso e che rientra nei termini di garanzia. Queste sono le uniche rivalse a cui l'acquirente si può appellare, se un prodotto è difettoso.

Horizon si riserva il diritto di controllare qualsiasi componente utilizzato che viene coinvolto nella rivalsa di garanzia. Le decisioni relative alla sostituzione o alla riparazione avvengono solo in base alla discrezione di Horizon. Questa garanzia non copre dei danni superficiali o danni per cause di forza maggiore, uso errato del prodotto, negligenza, uso ai fini commerciali, o una qualsiasi modifica a qualsiasi parte del prodotto.

Questa garanzia non copre danni dovuti ad una installazione errata, ad un funzionamento errato, ad una manutenzione o un tentativo di riparazione non idonei a cura di soggetti diversi da Horizon. La restituzione del prodotto a cura dell'acquirente, o da un suo rappresentante, deve essere approvata per iscritto dalla Horizon.

Limiti di danno

Horizon non si riterrà responsabile per danni speciali, diretti, indiretti o consequenziali; perdita di profitto o di produzione; perdita commerciale connessa al prodotto, indipendentemente dal fatto che la richiesta si basa su un contratto o sulla garanzia. Inoltre la responsabilità di Horizon non supera mai in nessun caso il prezzo di acquisto del prodotto per il quale si chiede la responsabilità. Horizon non ha alcun controllo sul montaggio, sull'utilizzo o sulla manutenzione del prodotto o di combinazioni di vari prodotti. Quindi Horizon non accetta nessuna responsabilità per danni o lesioni derivanti da tali circostanze. Con l'utilizzo e il montaggio del prodotto l'utente acconsente a tutte le condizioni, limitazioni e riserve di garanzia citate in questa sede. Qualora l'utente non fosse pronto ad assumersi tale responsabilità associata all'uso del prodotto, si suggerisce restituire il prodotto intatto, mai usato e immediatamente presso il venditore.

Indicazioni di sicurezza

Questo è un prodotto sofisticato di hobbistica e non è un giocattolo. Esso deve essere manipolato con cautela, con giudizio e richiede delle conoscenze basilari di meccanica e delle facoltà mentali di base. Se il prodotto non verrà manipolato in maniera sicura e responsabile potrebbero risultare delle lesioni, dei gravi danni a persone, al prodotto o all'ambiente circostante. Questo prodotto non è concepito per essere usato dai bambini senza una diretta supervisione di un adulto. Il manuale del prodotto contiene le istruzioni di sicurezza, di funzionamento e di manutenzione del prodotto stesso. È fondamentale leggere e seguire tutte le istruzioni e le avvertenze nel manuale prima di mettere in funzione il prodotto. Solo così si eviterà un utilizzo errato e di preverranno incidenti, lesioni o danni.

Domande, assistenza e riparazioni

Il vostro negozio locale e/o luogo di acquisto non possono fornire garanzie di assistenza o riparazione senza previo colloquio con Horizon. Questo vale anche per le riparazioni in garanzia. Quindi in tali casi bisogna interpellare un rivenditore, che si metterà in contatto subito con Horizon per prendere una decisione che vi possa aiutare nel più breve tempo possibile.

Manutenzione e riparazione

Se il prodotto deve essere ispezionato o riparato, si prega di rivolgersi ad un rivenditore specializzato o direttamente ad Horizon. Il prodotto deve essere imballato con cura. Bisogna far notare che i box originali solitamente non sono adatti per effettuare una spedizione senza subire alcun danno. Bisogna effettuare una spedizione via corriere che fornisce una tracciabilità e un'assicurazione, in quanto Horizon non si assume alcuna responsabilità in relazione alla spedizione del prodotto. Inserire il prodotto in una busta assieme ad una descrizione dettagliata degli errori e ad una lista di tutti i singoli componenti spediti. Inoltre abbiamo bisogno di un indirizzo completo, di un numero di telefono per chiedere ulteriori domande e di un indirizzo e-mail.

Garanzia a riparazione

Le richieste in garanzia verranno elaborate solo se è presente una prova d'acquisto in originale proveniente da un rivenditore specializzato autorizzato, nella quale è ben visibile la data di acquisto. Se la garanzia viene confermata, allora il prodotto verrà riparato o sostituito. Questa decisione spetta esclusivamente a Horizon Hobby.

Riparazioni a pagamento

Se bisogna effettuare una riparazione a pagamento, effettueremo un preventivo che verrà inoltrato al vostro rivenditore. La riparazione verrà effettuata dopo l'autorizzazione da parte del vostro rivenditore. La somma per la riparazione dovrà essere pagata al vostro rivenditore. Le riparazioni a pagamento avranno un costo minimo di 30 minuti di lavoro e in fattura includeranno le spese di restituzione. Qualsiasi riparazione non pagata e non richiesta entro 90 giorni verrà considerata abbandonata e verrà gestita di conseguenza.

ATTENZIONE: Le riparazioni a pagamento sono disponibili solo sull'elettronica e sui motori. Le riparazioni a livello meccanico, soprattutto per gli elicotteri e le vetture RC sono molto costose e devono essere effettuate autonomamente dall'acquirente.