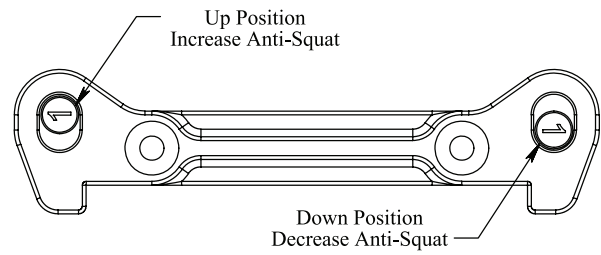
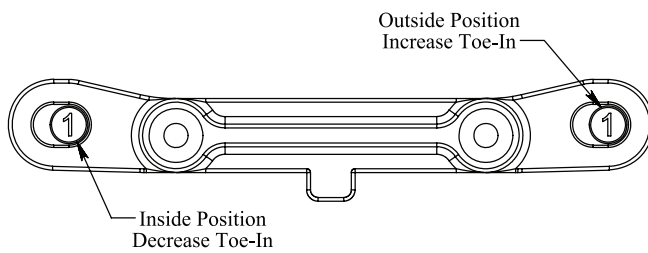
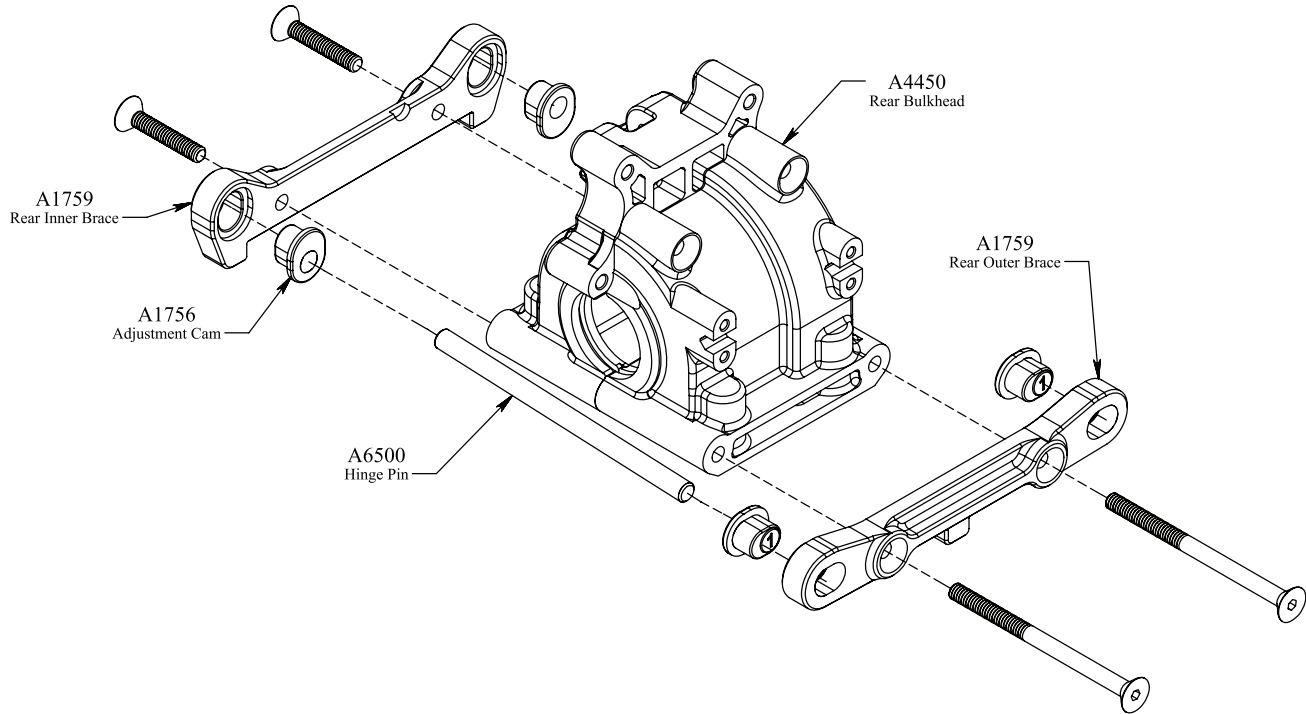


STEP A-01

Adjustable Hinge Pin Brace Install



Rear Toe-In Adjustment		
Insert Position	Insert Number	Total Toe-In
Inside	1°	2°
Inside	0.5°	2.5°
Middle	0	3°
Outside	0.5°	3.5°
Outside	1°	4°

Rear Anti-Squat Adjustment		
Insert Position	Insert Number	Total Anti-Squat
Up	1°	3°
Up	0.5°	2.5°
Middle	0	2°
Down	0.5°	1.5°
Down	1°	1°

- Remove the Bulkhead from the chassis.
- Remove the existing Hinge Pin Braces and plastic covers.
- Select the desired Adjustment Cam and press it into the new Adjustable Hinge Pin Braces.
- **Note the position of the number on the outside of the Cam. Always install the same number Cam in the same orientation on each side of the car.*
- Install the Inner Adjustable Hinge Pin Brace re-using the mounting hardware.
- Align the Arms and Hinge Pins with the Adjustment Cam.
- Install the Outer Adjustable Hinge Pin Brace re-using the existing hardware.
- Re-attach the bulkhead to the chassis.
- Check the suspension to ensure it moves freely and does not bind.