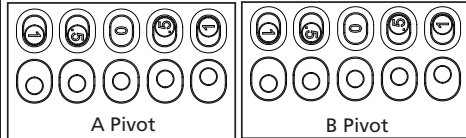
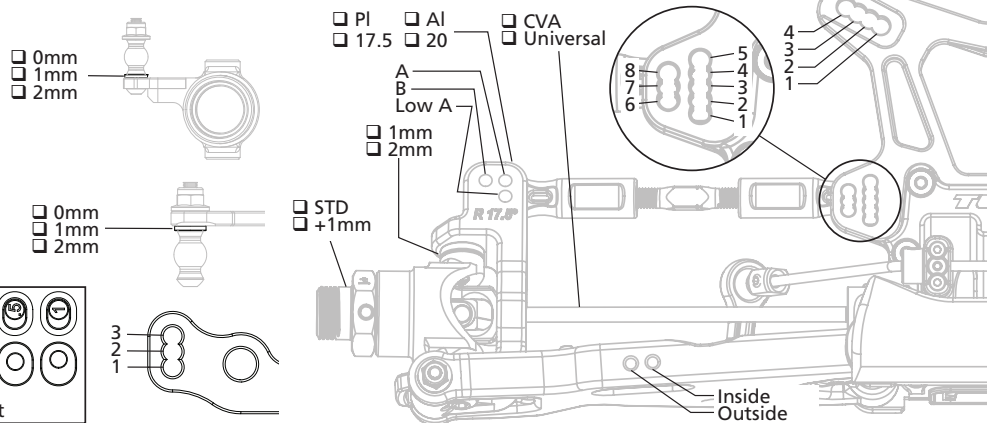


| Name:                                | Date:                          | Event:                            | Track:                               |
|--------------------------------------|--------------------------------|-----------------------------------|--------------------------------------|
| Track Conditions                     |                                |                                   |                                      |
| <input type="checkbox"/> Indoor      | <input type="checkbox"/> Tight | <input type="checkbox"/> Smooth   | <input type="checkbox"/> Hard Packed |
| <input type="checkbox"/> Outdoor     | <input type="checkbox"/> Open  | <input type="checkbox"/> Rough    | <input type="checkbox"/> Loose/Loamy |
| <input type="checkbox"/> Blue Groove | <input type="checkbox"/> Wet   | <input type="checkbox"/> Low Bite | <input type="checkbox"/> High Bite   |
| <input type="checkbox"/> Dry         | <input type="checkbox"/> Dusty | <input type="checkbox"/> Med Bite | <input type="checkbox"/> Other       |

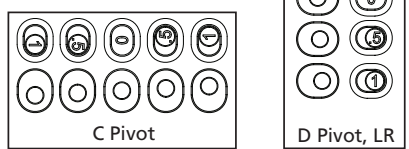
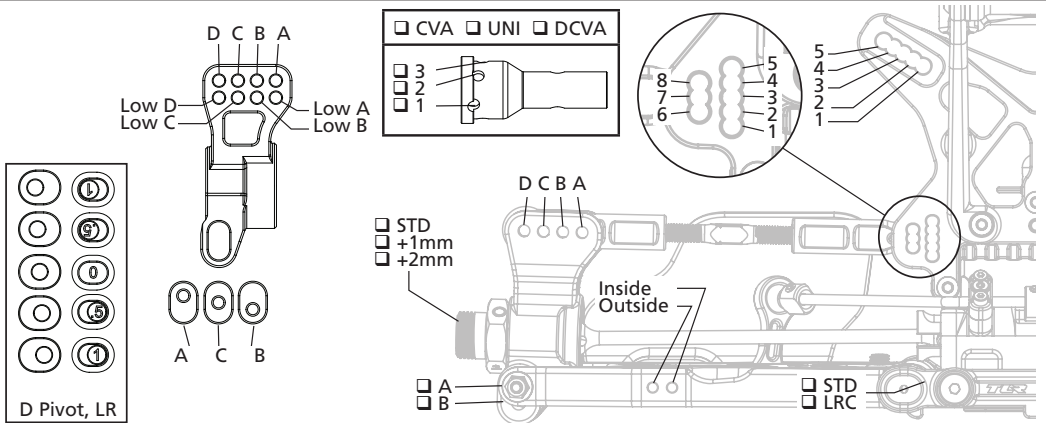
### Front Suspension

|          |  |
|----------|--|
| Ride Ht  |  |
| Camber   |  |
| Toe      |  |
| Sway Bar |  |
| Notes:   |  |



### Rear Suspension

|          |  |
|----------|--|
| Ride Ht  |  |
| Camber   |  |
| Sway Bar |  |
| Notes:   |  |



### Chassis

| Differentials |  |  | Wing   |  | Electronics |               |               |
|---------------|--|--|--|--|-------------|---------------|---------------|
|               | Front  | Center   | Rear   | Brand  |             | Radio         | Servo         |
| Fluid         |  |  |  | <input type="checkbox"/> Riser                             |             | ESC           | Battery       |
| Pins          | <input type="checkbox"/> AL <input type="checkbox"/> STL | <input type="checkbox"/> AL <input type="checkbox"/> STL | <input type="checkbox"/> AL <input type="checkbox"/> STL | <input type="checkbox"/> Wicker Bill                       |             | Motor         | Pinion/Spur   |
| Case          | <input type="checkbox"/> STD <input type="checkbox"/> HD | <input type="checkbox"/> STD <input type="checkbox"/> HD | <input type="checkbox"/> STD <input type="checkbox"/> HD | <input type="checkbox"/> FWD <input type="checkbox"/> Back |             | Initial Brake | Drag Brake    |
|               |  |  |  |  |             | Thro Prof     | Timing Adv    |
|               |  |  |  |  |             | Thro Expo     | Steering Expo |

| Shocks     |   |   |
|------------|---|---|
|            | Front   | Rear  |
| Shock Type | <input type="checkbox"/> Bladder<br><input type="checkbox"/> Re Bladder<br><input type="checkbox"/> Emulsion<br><input type="checkbox"/> Vented | <input type="checkbox"/> Bladder<br><input type="checkbox"/> Re Bladder<br><input type="checkbox"/> Emulsion<br><input type="checkbox"/> Vented |
| Shaft Dia  | <input type="checkbox"/> 3.5 <input type="checkbox"/> 4.0   | <input type="checkbox"/> 3.5 <input type="checkbox"/> 4.0   |
| Piston     |   |   |
| Oil        |   |   |
| Spring     |   |   |
| Stroke     |   |   |
| Droop      |   |   |

| Tires    |       |      |
|----------|-------|------|
|          | Front | Rear |
| Brand    |       |      |
| Tread    |       |      |
| Compound |       |      |
| Insert   |       |      |
| Sauce    |       |      |

