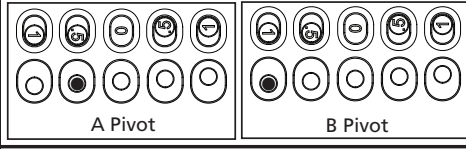
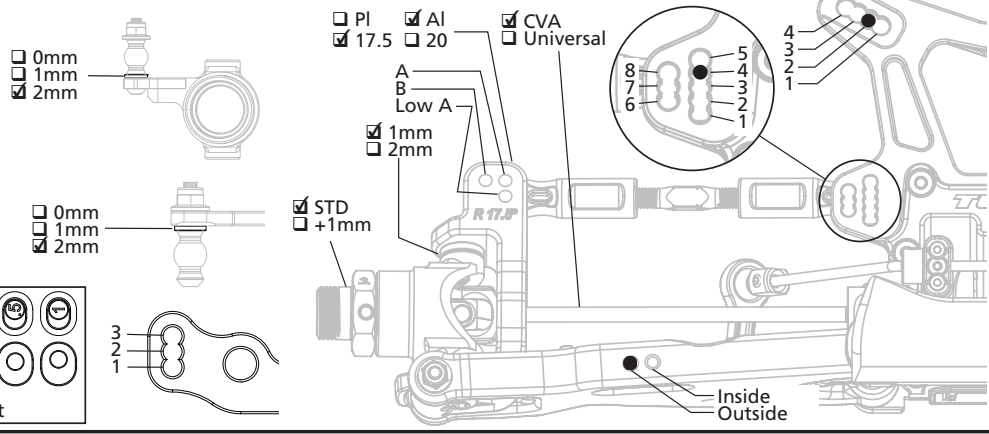


Name: Mike Holtsclaw	Date: 8/2/2021	Event:	Track: OCRC Raceway
----------------------	----------------	--------	---------------------

Track Conditions							
<input checked="" type="checkbox"/> Indoor	<input checked="" type="checkbox"/> Tight	<input type="checkbox"/> Smooth	<input type="checkbox"/> Hard Packed	<input type="checkbox"/> Blue Groove	<input checked="" type="checkbox"/> Wet	<input type="checkbox"/> Low Bite	<input checked="" type="checkbox"/> High Bite
<input type="checkbox"/> Outdoor	<input type="checkbox"/> Open	<input type="checkbox"/> Rough	<input type="checkbox"/> Loose/Loamy	<input type="checkbox"/> Dry	<input type="checkbox"/> Dusty	<input type="checkbox"/> Med Bite	<input type="checkbox"/> Other

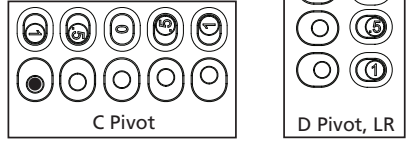
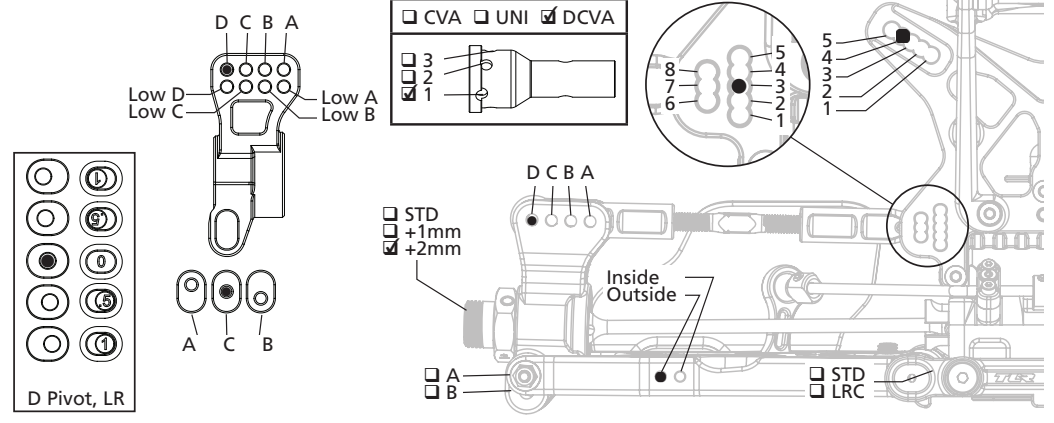
### Front Suspension

Ride Ht	27mm
Camber	-1
Toe	-1
Sway Bar	2.5mm
Notes: Proc.shop Steering drag link at the 0 position.	



### Rear Suspension

Ride Ht	28mm
Camber	-2
Sway Bar	2.5mm
Notes: LIT RC Pivot Blocks. C Block-1 down/in (1 Degree) D Block-1 in (3 Degree)	



### Chassis

Differentials			Wing		Electronics				
	Front	Center	Rear	Brand	TLR	Radio		Servo	
Fluid	7K	7K	3K	<input checked="" type="checkbox"/> Riser	10mm	ESC	Tekin RX8	Battery	
Pins	<input checked="" type="checkbox"/> AL <input type="checkbox"/> STL	<input checked="" type="checkbox"/> AL <input type="checkbox"/> STL	<input checked="" type="checkbox"/> AL <input type="checkbox"/> STL	<input type="checkbox"/> Wicker Bill	N/A	Motor	Tekin T8 1900kv	Pinion/Spur	46/15
Case	<input type="checkbox"/> STD <input checked="" type="checkbox"/> HD	<input type="checkbox"/> STD <input checked="" type="checkbox"/> HD	<input type="checkbox"/> STD <input checked="" type="checkbox"/> HD	<input type="checkbox"/> FWD <input checked="" type="checkbox"/> Back		Initial Brake		Drag Brake	
						Thro Prof		Timing Adv	
						Thro Expo		Steering Expo	

Shocks		
	Front	Rear
Shock Type	<input type="checkbox"/> Bladder <input type="checkbox"/> Re Bladder <input checked="" type="checkbox"/> Emulsion <input type="checkbox"/> Vented	<input type="checkbox"/> Bladder <input type="checkbox"/> Re Bladder <input checked="" type="checkbox"/> Emulsion <input type="checkbox"/> Vented
Shaft Dia	<input checked="" type="checkbox"/> 3.5 <input type="checkbox"/> 4.0	<input checked="" type="checkbox"/> 3.5 <input type="checkbox"/> 4.0
Piston	5X1.5 Flat	5X1.6 Flat
Oil	50wt	45wt
Spring	Hot Bodies Silver	TLR Red EVO
Stroke		
Droop	29mm	28mm

Tires		
	Front	Rear
Brand	Proline	Proline
Tread	Positron	Positron
Compound	MC	MC
Insert	PL	PL
Sauce	Liquid Wrench	Liquid Wrench

