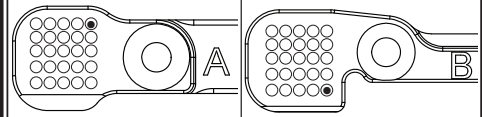
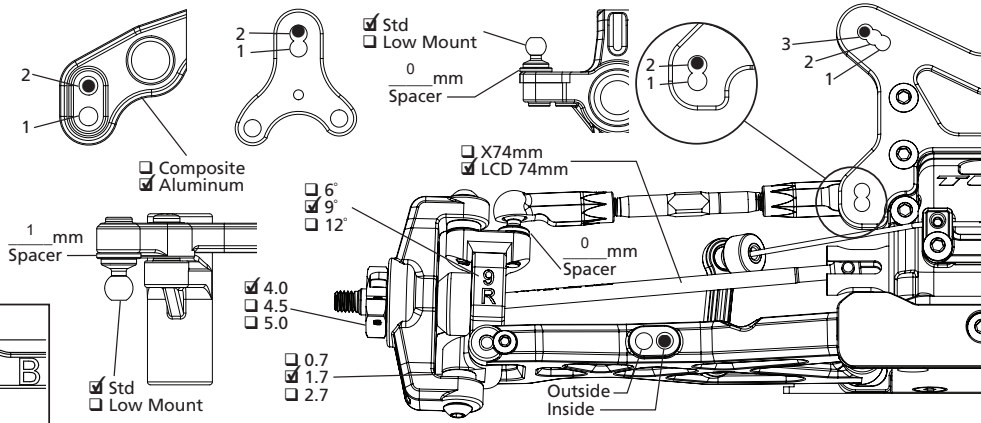


**Track Conditions**

<input checked="" type="checkbox"/> Indoor	<input checked="" type="checkbox"/> Clay	<input type="checkbox"/> Carpet	<input type="checkbox"/> Tight	<input checked="" type="checkbox"/> Smooth	<input checked="" type="checkbox"/> Hard Packed	<input type="checkbox"/> Blue Groove	<input type="checkbox"/> Wet	Bite: <input type="checkbox"/> Low <input type="checkbox"/> Med <input checked="" type="checkbox"/> High	Other: _____
<input type="checkbox"/> Outdoor	<input type="checkbox"/> Dirt	<input type="checkbox"/> Astro	<input checked="" type="checkbox"/> Open	<input checked="" type="checkbox"/> Rough	<input type="checkbox"/> Loose/Loamy	<input checked="" type="checkbox"/> Dry	<input type="checkbox"/> Dusty	Tread: <input type="checkbox"/> Pin <input type="checkbox"/> Ghost <input checked="" type="checkbox"/> Slicks	_____

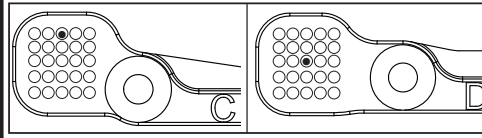
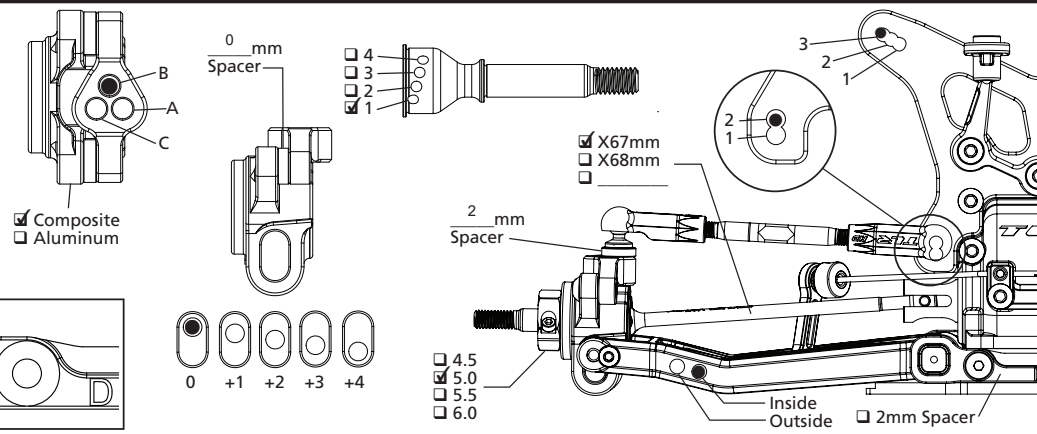
**Front Suspension**

Ride Height	18	mm
Camber	-1.5	°
Toe	+1	°
Sway Bar	1.0	mm
Notes:	_____	



**Rear Suspension**

Ride Height	18	mm
Camber	-1.5	°
Sway Bar	1.2	mm
Notes:	_____	



**Chassis**

	Front	Center	Rear
Fluid	7,000	500,000	6,000
Int Gears	<input type="checkbox"/> Stl <input checked="" type="checkbox"/> Comp	<input type="checkbox"/> Stl <input checked="" type="checkbox"/> Comp	<input type="checkbox"/> Stl <input checked="" type="checkbox"/> Comp
Weight	13.0 g	13.0 g	13.0 g
Ring/Pin	<input type="checkbox"/> Stl <input checked="" type="checkbox"/> Comp	<input type="checkbox"/> Stl <input checked="" type="checkbox"/> Comp	<input type="checkbox"/> Stl <input checked="" type="checkbox"/> Comp
Center Diff Cover	<input checked="" type="checkbox"/> Composite <input type="checkbox"/> Aluminum		
Slipper Pads	<input type="checkbox"/> Torque/Yellow <input type="checkbox"/> Drive/Orange		

Aerodynamics	
Body	JConcepts F2
Fr Scoop	TLR
Rr Wing	JConcepts Carpet/Astro
Wicker	
Angle	4 °
Notes	

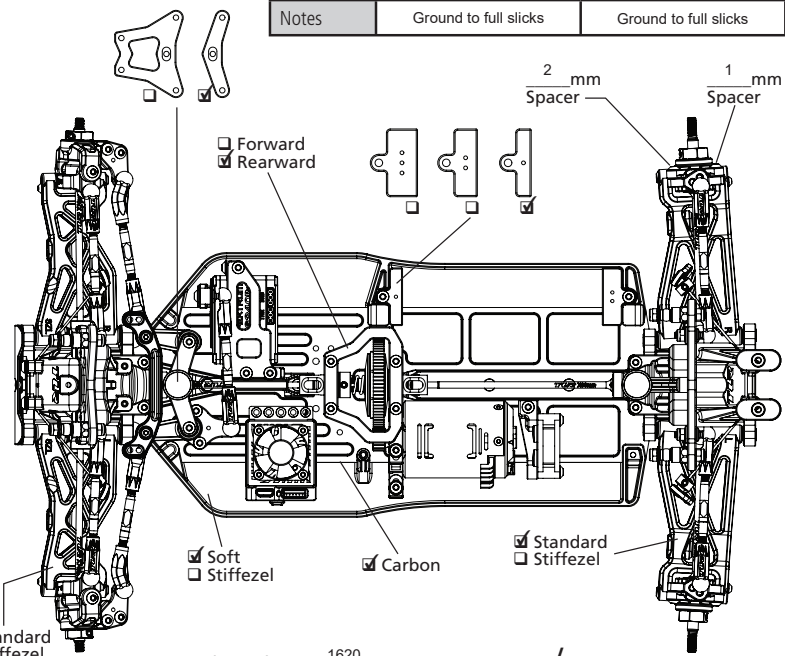
	Front	Rear
Brand	JConcepts	JConcepts
Tread	Ellipse	Ellipse
Compound	Silver	Silver
Insert	Stock	Stock
Sauce	Yellow LW	Yellow LW
Wheel	TLR Yellow	TLR Yellow
Notes	Ground to full slicks	Ground to full slicks

**Shocks**

	Front	Rear
Shock Caps	Aluminum	Aluminum
Oil	42.5	37.5
Piston	2 x 1.6 <input checked="" type="checkbox"/> Thin	2 x 1.7 <input checked="" type="checkbox"/> Thin
Limiter, Int	1 mm	0 mm
Shaft Dia	<input checked="" type="checkbox"/> 3.0mm <input type="checkbox"/> 3.5mm	<input checked="" type="checkbox"/> 3.0mm <input type="checkbox"/> 3.5mm
Limiter, Ext	1 mm	1 mm
Stroke	23 mm	30.5 mm
Eyelet	<input checked="" type="checkbox"/> Std <input type="checkbox"/> +2mm	<input checked="" type="checkbox"/> Std <input type="checkbox"/> +2mm
Spring	AE V2 Yellow 91834	AE V2 Blue 91840
Spring Cup	<input type="checkbox"/> Low <input type="checkbox"/> Mid <input checked="" type="checkbox"/> High	<input type="checkbox"/> Low <input checked="" type="checkbox"/> Mid <input type="checkbox"/> High

**Electronics**

Radio	Spektrum DX6R	ESC	
Servo	Spektrum S6245	Thro Prof	
Battery	Trinity LCG	Timing Adv	
Battery Wt	155 g	Initial Brake	
Motor	Trinity 6.0T	Drag Brake	
Gearing	19 / 81	Thr/Bra EPA	/



Total Weight: 1620 g Fr/Rr \_\_\_\_\_ % / \_\_\_\_\_ %