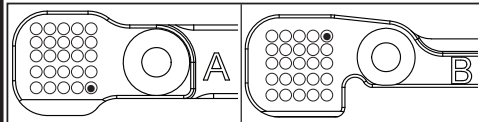
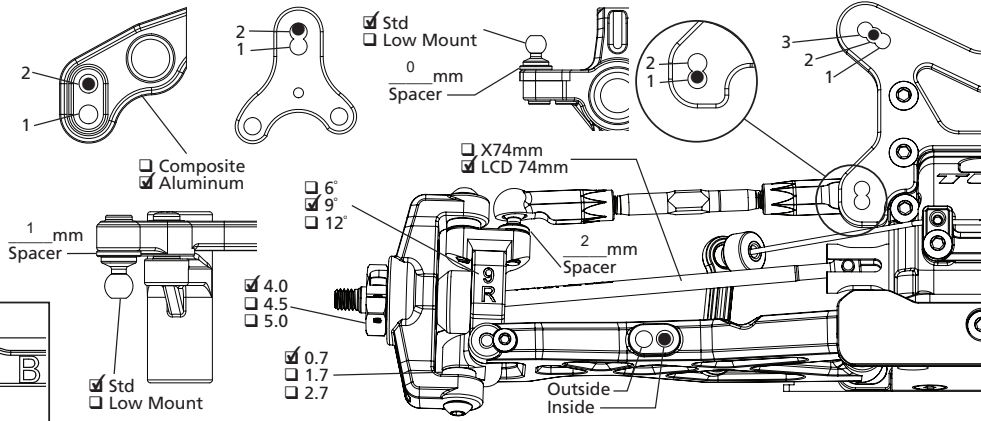


Track Conditions

<input checked="" type="checkbox"/> Indoor	<input type="checkbox"/> Clay	<input checked="" type="checkbox"/> Carpet	<input type="checkbox"/> Tight	<input checked="" type="checkbox"/> Smooth	<input type="checkbox"/> Hard Packed	<input type="checkbox"/> Blue Groove	<input type="checkbox"/> Wet	Bite: <input type="checkbox"/> Low <input type="checkbox"/> Med <input checked="" type="checkbox"/> High	Other: Black CRC Carpet 2 years old.
<input type="checkbox"/> Outdoor	<input type="checkbox"/> Dirt	<input type="checkbox"/> Astro	<input checked="" type="checkbox"/> Open	<input type="checkbox"/> Rough	<input type="checkbox"/> Loose/Loamy	<input type="checkbox"/> Dry	<input type="checkbox"/> Dusty	Tread: <input checked="" type="checkbox"/> Pin <input type="checkbox"/> Ghost <input type="checkbox"/> Slicks	

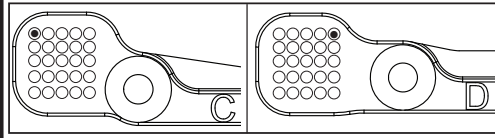
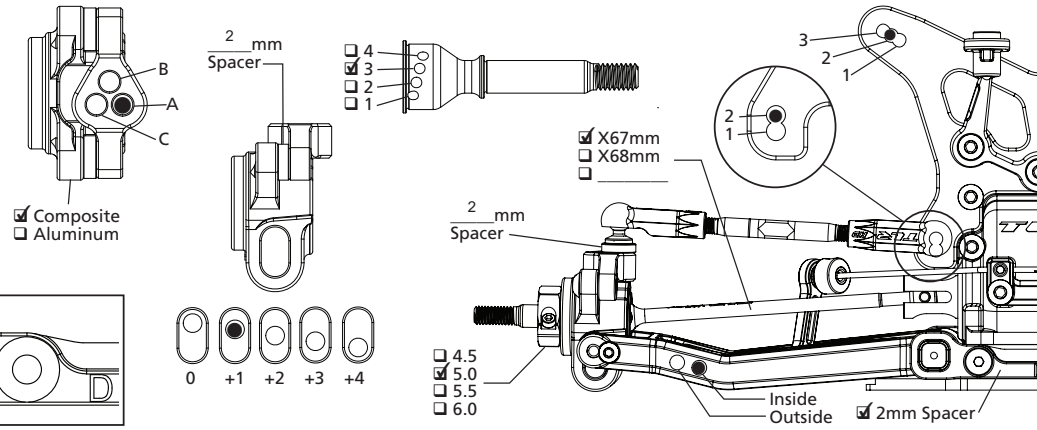
Front Suspension

Ride Height	12	mm
Camber	-2	°
Toe	+1	°
Sway Bar	2.0	mm
Notes:		



Rear Suspension

Ride Height	12	mm
Camber	-2	°
Sway Bar	2.0	mm
Notes:		



Chassis

	Front	Center	Rear
Fluid	40,000	-	20,000
Int Gears	<input type="checkbox"/> Stl <input checked="" type="checkbox"/> Comp	<input type="checkbox"/> Stl <input type="checkbox"/> Comp	<input type="checkbox"/> Stl <input checked="" type="checkbox"/> Comp
Weight	13.0 g		13.0 g
Ring/Pin	<input checked="" type="checkbox"/> Stl <input type="checkbox"/> Comp		<input checked="" type="checkbox"/> Stl <input type="checkbox"/> Comp
Center Diff Cover	<input type="checkbox"/> Composite <input type="checkbox"/> Aluminum		
Slipper Pads	<input type="checkbox"/> Torque/Yellow <input checked="" type="checkbox"/> Drive/Orange		

Aerodynamics	
Body	TLR 22X-4 ULW
Fr Scoop	TLR/Kit
Rr Wing	Pro-Line Air Force 2
Wicker	None
Angle	0 °
Notes	

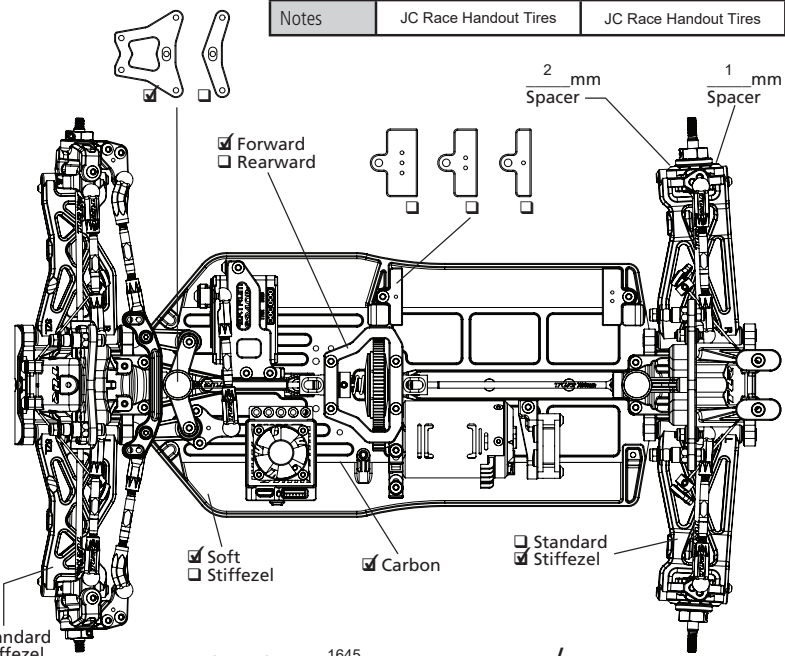
	Front	Rear
Brand	JConcepts	JConcepts
Tread	Swagger	Twin Pin
Compound	Pink	Pink
Insert	None	3/4 width rear insert
Sauce	SXT 3.0 Black	SXT 3.0 Black
Wheel	TLR Yellow	TLR Yellow
Notes	JC Race Handout Tires	JC Race Handout Tires

Shocks

	Front	Rear
Shock Caps	Aluminum	Aluminum
Oil	45	40
Piston	2 x 1.6 <input checked="" type="checkbox"/> Thin	2 x 1.8 <input checked="" type="checkbox"/> Thin
Limiter, Int	2 mm	0 mm
Shaft Dia	<input checked="" type="checkbox"/> 3.0mm <input type="checkbox"/> 3.5mm	<input checked="" type="checkbox"/> 3.0mm <input type="checkbox"/> 3.5mm
Limiter, Ext	1 mm	4 mm
Stroke	22 mm	30.5 mm
Eyelet	<input checked="" type="checkbox"/> Std <input type="checkbox"/> +2mm	<input checked="" type="checkbox"/> Std <input type="checkbox"/> +2mm
Spring	X-Ray 4 dot 368194	X-Ray 3 dot 368293
Spring Cup	<input type="checkbox"/> Low <input checked="" type="checkbox"/> Mid <input type="checkbox"/> High	<input checked="" type="checkbox"/> Low <input type="checkbox"/> Mid <input type="checkbox"/> High

Electronics

Radio	Spektrum DX6R	ESC	Muchmore Fleta V2 Pro
Servo	Spektrum S6240RX	Thro Prof	10
Battery	Motiv 4400mAh LCG	Timing Adv	25 deg Turbo
Battery Wt	162 g	Initial Brake	Drag Brake
Motor	Motiv MC2 4.5T	Drag Brake	35%
Gearing	20 / 81	Thr/Bra EPA	100 / 85



Total Weight: 1645 g Fr/Rr ___ % / ___ %