

JEEP GLADIATOR JT

1/24 SCALE SCX24 4WD ROCK CRAWLER READY-TO-RUN



INSTRUCTION MANUAL
BEDIENUNGSANLEITUNG
MANUEL D'UTILISATION
MANUALE DI ISTRUZIONI

Scan and select the Manuals and Support quick links from the product page for the most up-to-date manual information.

Scannen Sie und wählen Sie auf der Produktseite die Quicklinks Handbücher und Unterstützung, um die aktuellsten Informationen zu Handbüchern.

Scannez l et sélectionnez les liens rapides Manuals and Support sur la page du produit pour obtenir les informations les plus récentes sur le manuel.

Scannerrizzare selezionare i Link veloci Manuali e Supporto dalla pagina del prodotto per le informazioni manuali più aggiornate.

RTR
READY-TO-RUN



AXI00005V2T3/T4/T5

HORIZON
H O B B Y

NOTICE

All instructions, warranties and other collateral documents are subject to change at the sole discretion of Horizon Hobby, LLC. For up-to-date product literature, visit horizonhobby.com or towerhobbies.com and click on the support or resources tab for this product.

MEANING OF SPECIAL LANGUAGE

The following terms are used throughout the product literature to indicate various levels of potential harm when operating this product:

WARNING: Procedures, which if not properly followed, create the probability of property damage, collateral damage, and serious injury OR create a high probability of superficial injury.

CAUTION: Procedures, which if not properly followed, create the probability of physical property damage AND a possibility of serious injury.

NOTICE: Procedures, which if not properly followed, create a possibility of physical property damage AND a little or no possibility of injury.



WARNING: Read the ENTIRE instruction manual to become familiar with the features of the product before operating. Failure to operate the product correctly can result in damage to the product, personal property and cause serious injury.

This is a sophisticated hobby product. It must be operated with caution and common sense and requires some basic mechanical ability. Failure to operate this Product in a safe and responsible manner could result in injury or damage to the product or other property. This product is not intended for use by children without direct adult supervision. Do not use with incompatible components or alter this product in any way outside of the instructions provided by Horizon Hobby, LLC. This manual contains instructions for safety, operation and maintenance. It is essential to read and follow all the instructions and warnings in the manual, prior to assembly, setup or use, in order to operate correctly and avoid damage or serious injury.

Before operating this vehicle, please read all printed materials thoroughly. Horizon Hobby is not responsible for inadvertent errors in this manual.

Age Recommendation: Not for children under 14 years. This is not a toy.

SAFETY PRECAUTIONS AND WARNINGS

As the user of this product, you are solely responsible for operating in a manner that does not endanger yourself and others or result in damage to the product or property of others.

This model is controlled by a radio signal subject to interference from many sources outside your control. This interference can cause momentary loss of control, so it is advisable to always keep a safe distance in all directions around your model as this margin will help avoid collisions or injury.

- Never operate your model with low transmitter batteries.
- Always operate your model in open spaces away from full-size vehicles, traffic and people.
- Never operate the model in the street or in populated areas for any reason.
- Carefully follow the directions and warnings for this and any optional support equipment (chargers, rechargeable battery packs, etc.) you use.
- Keep all chemicals, small parts and anything electrical out of the reach of children.
- Never lick or place any portion of the model in your mouth as it could cause serious injury or even death.
- Exercise caution when using tools and sharp instruments.
- Take care during maintenance as some parts may have sharp edges.
- Immediately after using your model, do NOT touch equipment such as the motor, electronic speed control and battery, because they generate high temperatures. You may burn yourself seriously touching them.
- Do not put fingers or any objects inside rotating and moving parts, as this may cause damage or serious injury.
- Always turn on your transmitter before you turn on the receiver in the car. Always turn off the receiver before turning your transmitter off.
- Keep the wheels of the model off the ground when checking the operation of the radio equipment.

TABLE OF CONTENTS

Water-Resistant Vehicle with Waterproof Electronics	3	Binding the Transmitter and Receiver.....	10
Box Contents	4	Receiver and ESC Wiring Diagram	10
USB Charging Warnings	5	Troubleshooting.....	11
Charge the Vehicle Battery	5	Replacement Parts	11
Transmitter Layout	6	Optional Parts.....	11
Install the Transmitter Batteries	7	Limited Warranty	12
Remove the Vehicle Body	7	Warranty and Service Contact Information	13
Install the Vehicle Battery	8	FCC Information.....	13
Power on the Transmitter.....	8	IC Information.....	14
Power on the Vehicle	9	Compliance Information for the European Union	14
Test the Controls	9	Exploded Views.....	51–55
After Driving.....	10		

WATER-RESISTANT VEHICLE WITH WATERPROOF ELECTRONICS

Your new Horizon Hobby vehicle has been designed and built with a combination of waterproof and water-resistant components to allow you to operate the product in many “wet conditions,” including puddles, creeks, wet grass, snow and even rain.

While the entire vehicle is highly water-resistant, it is not completely waterproof and your vehicle should NOT be treated like a submarine. The various electronic components used in the vehicle, such as the Electronic Speed Control (ESC), servo(s) and receiver are waterproof, however, most of the mechanical components are water-resistant and should not be submerged.

Metal parts, including the bearings, hinge pins, screws and nuts, as well as the contacts in the electrical cables, will be susceptible to corrosion if additional maintenance is not performed after running in wet conditions. To maximize the long-term performance of your vehicle and to keep the warranty intact, the procedures described in the “Wet Conditions Maintenance” section below must be performed regularly if you choose to run in wet conditions. If you are not willing to perform the additional care and maintenance required, then you should not operate the vehicle in those conditions.



CAUTION: Failure to exercise caution while using this product and complying with the following precautions could result in product malfunction and/or void the warranty.

GENERAL PRECAUTIONS

- Read through the wet conditions maintenance procedures and make sure that you have all the tools you will need to properly maintain your vehicle.
- Not all batteries can be used in wet conditions. Consult the battery manufacturer before use. Caution should be taken when using LiPo batteries in wet conditions.
- Most transmitters are not water-resistant. Consult your transmitter’s manual or the manufacturer before operation.
- Never operate your transmitter or vehicle where lightning may be present.
- Do not operate your vehicle where it could come in contact with salt water (ocean water or water on salt-covered roads), contaminated or polluted water. Salt water is very conductive and highly corrosive, so use caution.
- Even minimal water contact can reduce the life of your motor if it has not been certified as water-resistant or waterproof. If the motor becomes excessively wet, apply very light throttle until the water is mostly removed from the motor. Running a wet motor at high speeds may rapidly damage the motor.
- Driving in wet conditions can reduce the life of the motor. The additional resistance of operating in water causes excess strain. Alter the gear ratio by using a smaller pinion or larger spur gear. This will increase torque (and motor life) when running in mud, deeper puddles, or any wet conditions that will increase the load on the motor for an extended period of time.

WET CONDITIONS MAINTENANCE

- Drain any water that has collected in the tires by spinning them at high speed. With the body removed, place the vehicle upside down and pull full throttle for a few short bursts until the water has been removed.



CAUTION: Always keep hands, fingers, tools and any loose or hanging objects away from rotating parts when performing the above drying technique.

- Remove the battery pack(s) and dry the contacts. If you have an air compressor or a can of compressed air, blow out any water that may be inside the recessed connector housing.
- Remove the tires/wheels from the vehicle and gently rinse the mud and dirt off with a garden hose. Avoid rinsing the bearings and transmission.

NOTICE: Never use a pressure washer to clean your vehicle.

- Use an air compressor or a can of compressed air to dry the vehicle and help remove any water that may have gotten into small crevices or corners.
- Spray the bearings, drive train, fasteners and other metal parts with a water-displacing light oil. Do not spray the motor.
- Let the vehicle air dry before you store it. Water (and oil) may continue to drip for a few hours.
- Increase the frequency of disassembly, inspection and lubrication of the following:
 - Front and rear axle hub assembly bearings.
 - All transmission cases, gears and differentials.
 - Motor—clean with an aerosol motor cleaner and re-oil the bushings with lightweight motor oil.

BOX CONTENTS

INCLUDED COMPONENTS	
Vehicle	SCX24 Jeep Gladiator JT 1:24 Scale 4WD Rock Crawler RTR (AXI00005V2)
Transmitter	SLT2 2-CH 2.4Ghz SLT (SPMRSLT200)
Charger	Spektrum USB-C 2S JST-XH (SPMXC0030)
Vehicle Battery	Spektrum 7.4V 350mAh 2S LiPo: PH (SPMX3502S30)
Motor	SCX24 Motor with Pinion (DYN51217)
ESC/Receiver	10 Amp Brushed 2-in-1 ESC / SLT Receiver Combo (SPMXSE2425RX)
Servo	AS-1 Micro Servo (AXI31619)
Transmitter Batteries	(4) AA Alkaline

SPECIFICATIONS	
Length	9.86" (250.5mm)
Width	4.82" (122.6mm)
Height	4.20" (106.9mm)
Operating Weight	9.50 oz (269.6g)

USB CHARGING WARNINGS

WARNING: Failure to exercise caution while using this product and comply with the following warnings could result in product malfunction, electrical issues, excessive heat, FIRE, and ultimately injury and property damage.

• NEVER LEAVE CHARGING BATTERIES UNATTENDED.

• NEVER CHARGE BATTERIES OVERNIGHT.

- Never attempt to charge dead, damaged or wet battery packs.
- Never attempt to charge a battery pack containing different types of batteries.
- Never allow children under 14 years of age to charge battery packs.
- Never charge batteries in extremely hot or cold places or place in direct sunlight.
- Never charge a battery if the cable has been pinched or shorted.
- Never connect the charger if the power cable has been pinched or shorted.
- Never attempt to dismantle the charger or use a damaged charger.
- Always use only rechargeable batteries designed for use with this type of charger.
- Always inspect the battery before charging.
- Always keep the battery away from any material that could be affected by heat.
- Always monitor the charging area and have a fire extinguisher available at all times.
- Always end the charging process if the battery becomes hot to the touch or starts to change form (swell) during the charge process.
- Always connect the positive leads (+) and negative leads (-) correctly.
- Always disconnect the battery after charging, and let the charger cool between charges.
- Always charge in a well-ventilated area.
- Always terminate all processes and contact Horizon Hobby if the product malfunctions.
- Charge only rechargeable batteries. Charging non-rechargeable batteries may cause the batteries to burst, resulting in injury to persons and/or damage to property.
- The USB outlet shall be installed near the equipment and shall be easily accessible.

CAUTION: Always ensure the battery you are charging meets the specifications of this charger. Not doing so can result in excessive heat and other related product malfunctions, which can lead to user injury or property damage. Please contact Horizon Hobby or an authorized retailer with compatibility questions.

CAUTION: If at any time during the charge process the battery pack becomes hot or begins to puff, disconnect the battery immediately and discontinue the charge process as batteries can cause fire, collateral damage and injuries.

CHARGE THE VEHICLE BATTERY

Use only the included USB charger to charge the battery.

1. Connect the charger to a suitable USB power port. The charger will work with most 5V mobile power sources or smartphone chargers with at least 1 amp of power output.

NOTICE: Charging the battery with a USB power port with less than 1 amp of power output can produce heat.

2. Connect the charge lead to the battery, noting correct polarity. Charging a fully discharged battery takes approximately 45–60 minutes. Charge times may vary depending on the power source.
3. Remove the battery from the charger when the charging cycle is complete.
4. Remove the charger from the power supply.

CAUTION: Once charging is complete, immediately remove the battery. Never leave a battery connected to the charger.

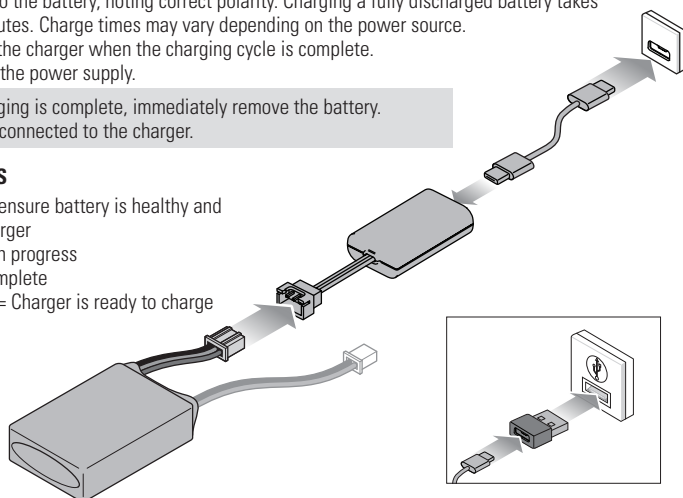
CHARGER LED INDICATIONS

RED, solid = Charging error: ensure battery is healthy and properly connected to the charger

ORANGE, solid = Charging in progress

GREEN, solid = Charging complete

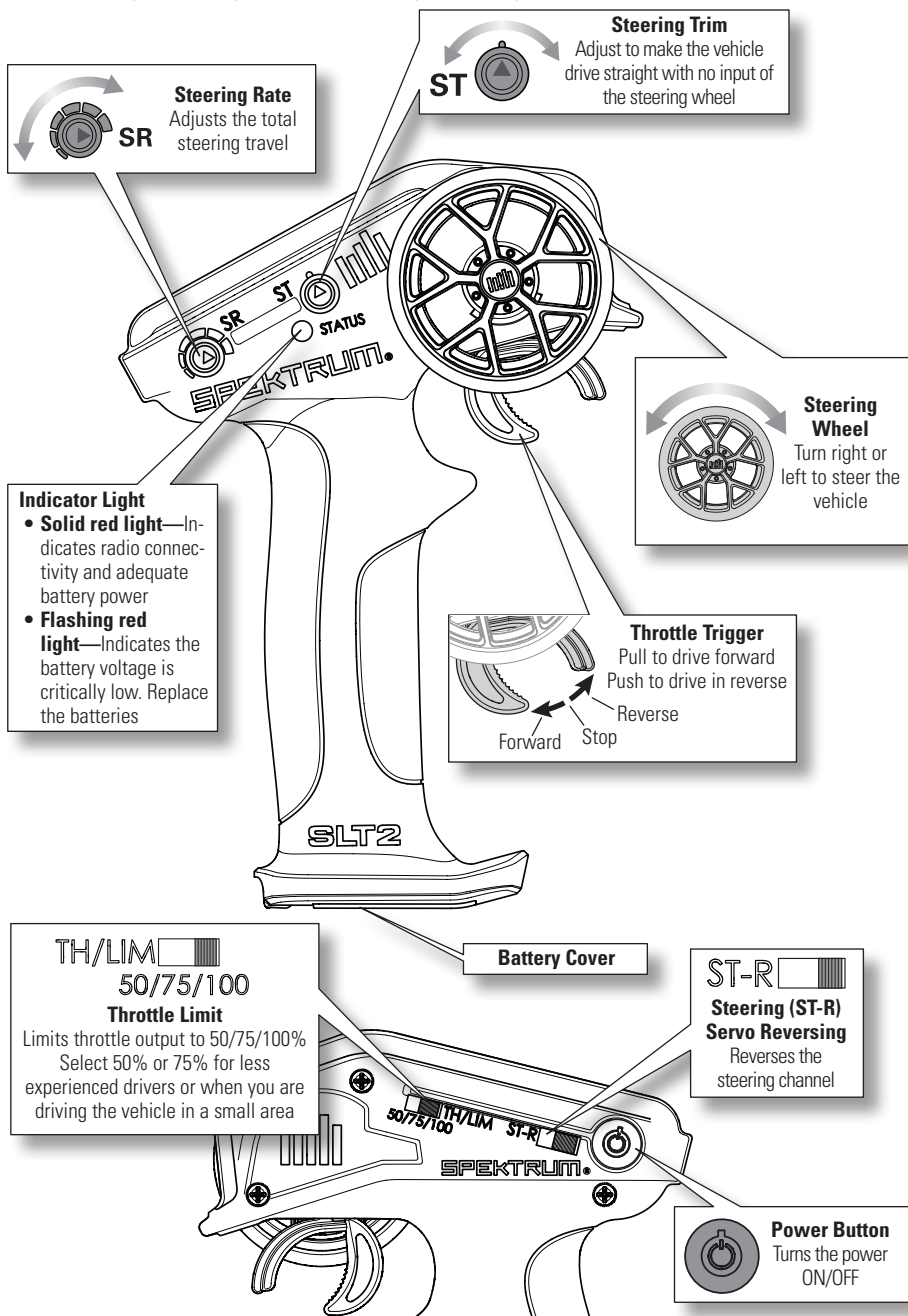
ORANGE/GREEN, flashing = Charger is ready to charge



TRANSMITTER LAYOUT

Use the diagram below to familiarize yourself with the different parts of your transmitter.

The transmitter antenna is mounted internally and is located in the front portion of the transmitter. When you are driving your model, hold the transmitter so it is oriented as close to vertical as possible. Do not try to follow your model with the transmitter. This provides the best RF signal between the transmitter and the receiver. Do not cover the front of the transmitter during use as doing so can block the RF signal, resulting in loss of control.



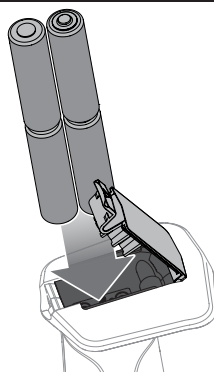
INSTALL THE TRANSMITTER BATTERIES

1. Press the battery compartment latch and rotate the batter cover to open.
2. Install 4 AA alkaline batteries, verifying correct polarity.
3. Close the battery cover until it latches.

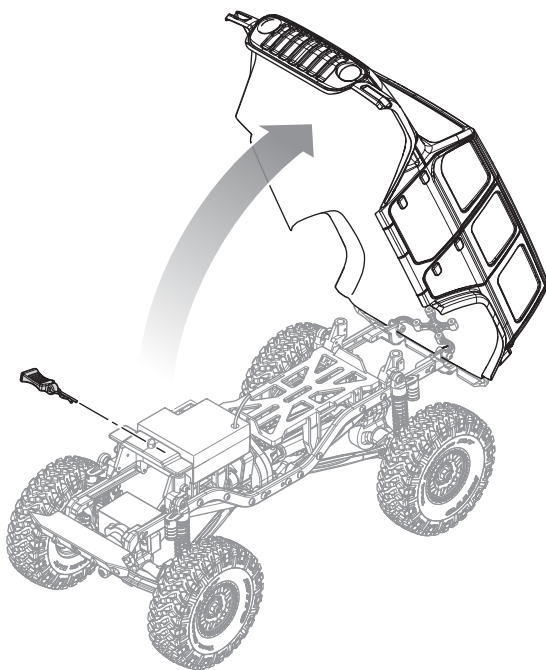
CAUTION: NEVER remove the transmitter batteries while the vehicle is powered ON. Loss of vehicle control, damage, or injury may occur.

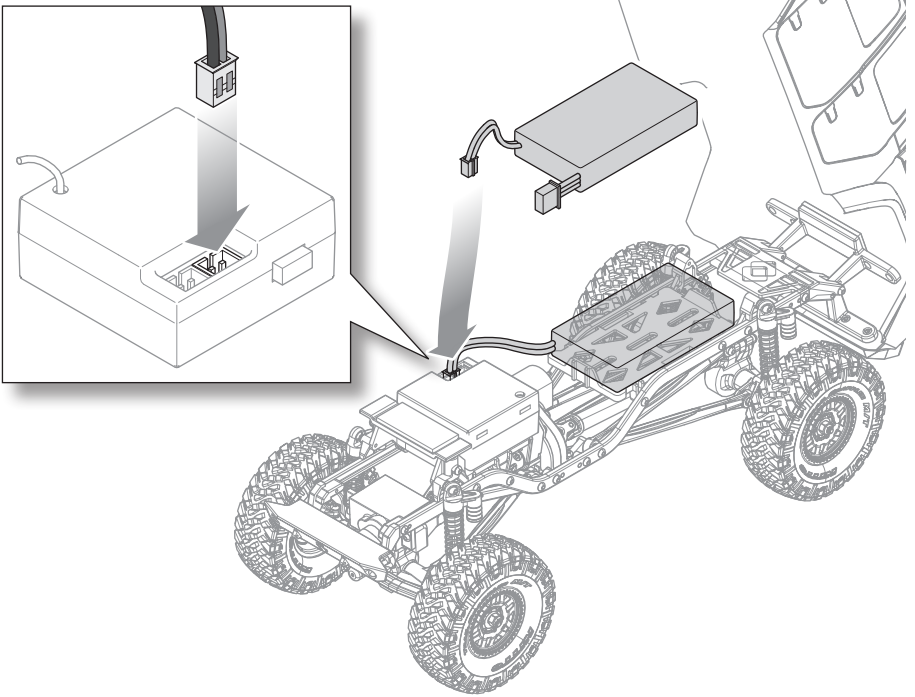
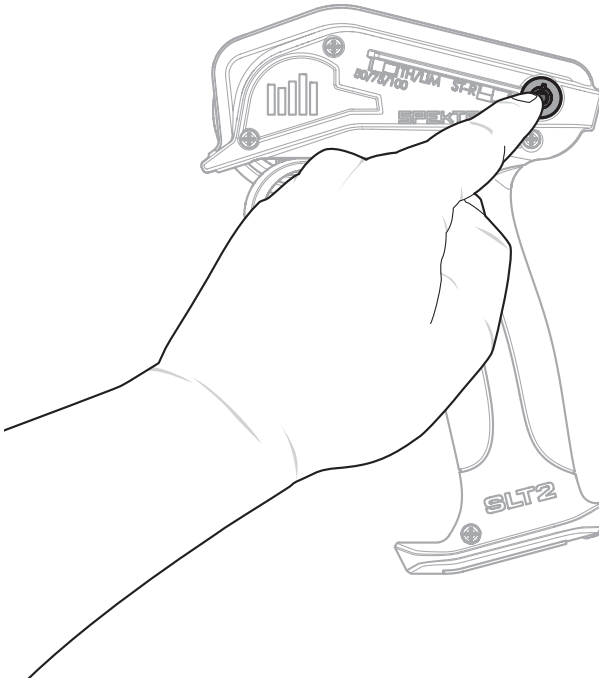
CAUTION: If using rechargeable batteries, charge only rechargeable batteries. Charging non-rechargeable batteries may cause the batteries to burst, resulting in injury or property damage.

CAUTION: Risk of explosion if battery is replaced by an incorrect type. Dispose of used batteries according to state and local laws.

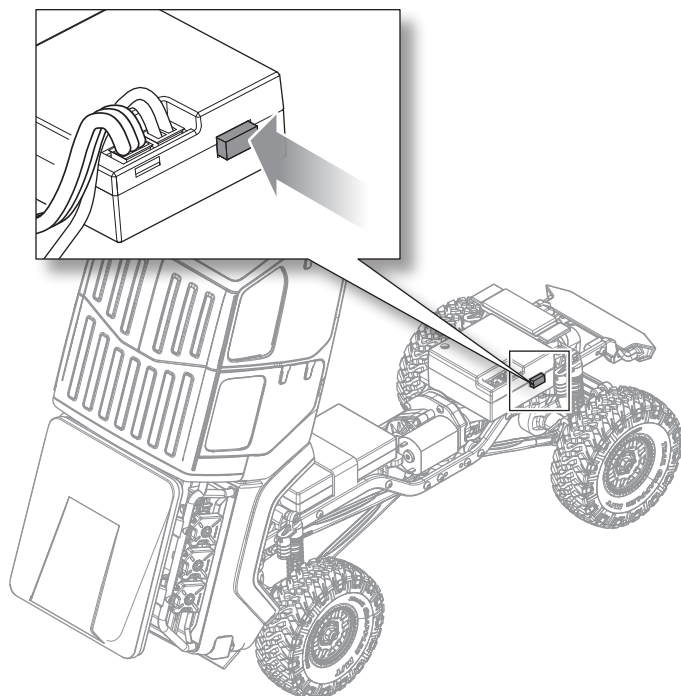


OPENING VEHICLE BODY



INSTALL THE VEHICLE BATTERY**POWER ON THE TRANSMITTER**

POWER ON THE VEHICLE

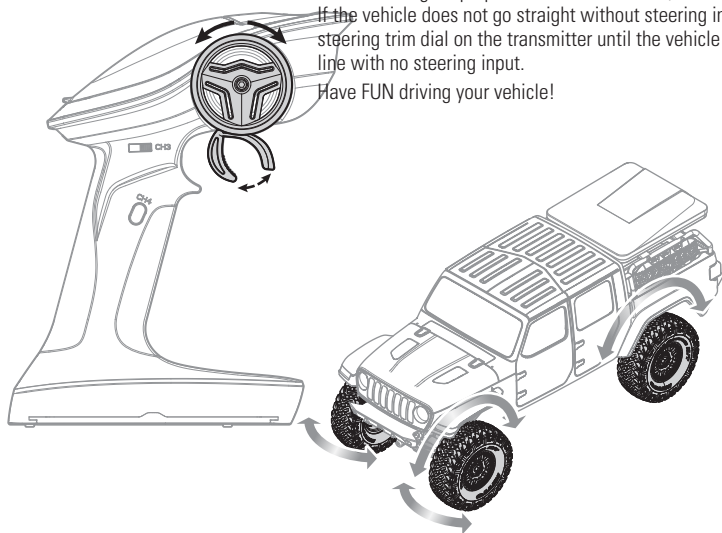


TEST THE CONTROLS

With the vehicle wheels off the ground, test the throttle and steering controls. Ensure the wheels spin in the proper direction and the front wheels turn in the proper direction with steering input.

After checking for proper direction of controls, start driving slowly. If the vehicle does not go straight without steering input, adjust the steering trim dial on the transmitter until the vehicle holds a straight line with no steering input.

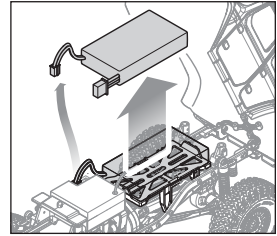
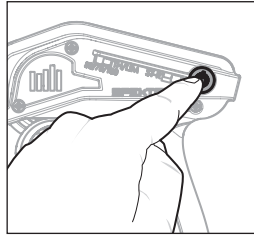
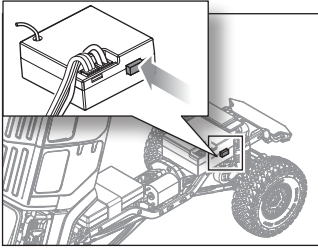
Have FUN driving your vehicle!



AFTER DRIVING

When you are finished driving your vehicle:

1. Power off the vehicle.
2. Power off the transmitter.
3. Remove the vehicle battery and charge if necessary.



BINDING THE TRANSMITTER AND RECEIVER

Binding is the process of programming the receiver to recognize a specific transmitter signal, thus preventing interference from other transmitters. The transmitter and receiver included with your vehicle are bound at the factory. If you need to rebind, follow the instructions below.

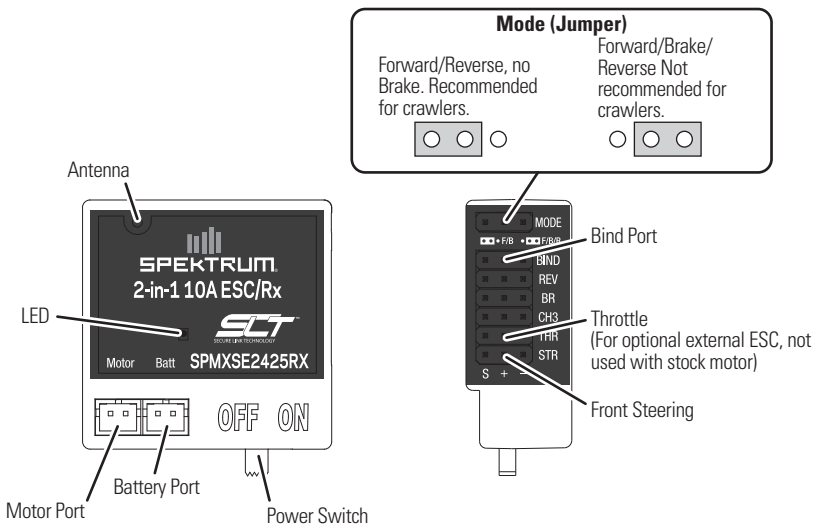
NOTICE: Do not attempt to bind the transmitter and receiver if any other compatible transmitters are in bind mode within approximately 400 feet (120 meters). Doing so may result in unexpected binding to the wrong transmitter and loss of control of your vehicle.

Prior to starting the binding procedure, ensure the servos and motor are connected to the proper ports on the receiver and the transmitter has fresh batteries installed.

1. Insert the bind plug into the receiver.
2. Power on the receiver. The receiver LED will flash rapidly.
3. Power on the transmitter. The transmitter LED will flash.
4. When the LED glows solid, binding is complete.

The receiver LED will glow solid when both the transmitter and receiver are powered on. If the receiver LED flashes rapidly or is not illuminated, the transmitter and receiver are not bound. Power off both the transmitter and receiver and repeat the binding procedure.

RECEIVER AND ESC WIRING DIAGRAM



TROUBLESHOOTING

PROBLEM	POSSIBLE CAUSE	SOLUTION
Vehicle does not move	Batteries are not installed properly in the transmitter	Ensure the transmitter batteries are properly installed
	Weak or no battery in the vehicle	Install a freshly charged vehicle battery
	Damaged motor	Replace the motor
	Frayed or broken wiring	Replace any damaged wiring
	ESC is shut down by heat protection circuit	Allow the ESC to cool down completely
Loss of vehicle control	Improper antenna placement	Ensure the transmitter antenna is not blocked and the receiver antenna is located properly
	Weak or no batteries in the transmitter or vehicle	Install a freshly charged vehicle battery and new transmitter batteries
	Neutral or trim position is incorrect	Adjust the steering trim
	Receiver and/or battery not connected properly	Check all receiver and battery connections
Steering and/or throttle function is reversed	Servo travel is reversed at the transmitter	Set the transmitter servo reversing switch to the correct position
	Motor wires are not connected properly	Check all motor wires for correct polarity and secure connection

REPLACEMENT PARTS

AXI200005	SCX24 Jeep JT Gladiator Body, Clear	AXI31609	SCX24 Front Axle (Assembled)
AXI200006	Rear Bumper & Hinge	AXI31610	SCX24 Rear Axle (Assembled)
AXI200007	Cage Set	AXI31611	SCX24 Driveshaft Set (S, M, L)
AXI200008	Overland Accessory Pack	AXI31619	AS-1 Micro Servo
AXI201001	Front Bumper	AXI40004	2.0 Nitto Trail Grappler Tire(4)
AXI201003	Chassis, XL WB 153.7mm	AXI40005	1.0 KMC Machete Wheels, Satin (4)
AXI202000	Driveshaft Set Short & XL	AXIC1147	AX31147 Nylon Lock Nut 2mm(10)
AXI203002	Oil Shock Set	SPMRSLT300	SLT3 3CH 2.4Ghz SLT TX Only
AXI203003	Spring Set	SPMX3502S30	7.4V 350mAh 2S 30C LiPo Battery: PH2.0 2p
AXI204001	Suspension Links, XL WB 153.7mm	SPMXC0030	2S USB-C PH2.54 JST-XH Charger
AXI204002	Rear Shock Set .4 Spr	SPMXSE2425RX	10 Amp Brushed 2-in-1 ESC / SLT Receiver Combo
AXI31608	SCX24 Transmission (Assembled)		

OPTIONAL PARTS

AXI302001	Differential Cover, Brass	DYNH2027	Stainless Steel Screw Set
AXI302002	Hex Hub, Brass (2)	DYNT0503	Startup Tool Set: Axial 1/24
AXI302003	Knuckles, Brass (L/R)	SPMXC1050	S1500 DC Smart Charger, 1 x 500W
AXI302004	Knuckle Weights, Brass (4)	SPMXC2050	S155 G2 1x55W AC Smart Charger
AXI302005	Servo Mount, Brass	SPMXCA309	Adapter: IC3 Battery / JST-PH 2.0 Device
AXI302006	Rear Upper Link Mount, Brass		

LIMITED WARRANTY

What this Warranty Covers – Horizon Hobby, LLC, (Horizon) warrants to the original purchaser that the product purchased (the “Product”) will be free from defects in materials and workmanship for a period of 2 years from the date of purchase.

What is Not Covered – This warranty is not transferable and does not cover (i) cosmetic damage, (ii) damage due to acts of God, accident, misuse, abuse, negligence, commercial use, or due to improper use, installation, operation or maintenance, (iii) modification of or to any part of the Product, (iv) attempted service by anyone other than a Horizon Hobby authorized service center, (v) Product not purchased from an authorized Horizon dealer, or (vi) Product not compliant with applicable technical regulations or (vii) use that violates any applicable laws, rules, or regulations. OTHER THAN THE EXPRESS WARRANTY ABOVE, HORIZON MAKES NO OTHER WARRANTY OR REPRESENTATION, AND HEREBY DISCLAIMS ANY AND ALL IMPLIED WARRANTIES, INCLUDING, WITHOUT LIMITATION, THE IMPLIED WARRANTIES OF NON-INFRINGEMENT, MERCHANTABILITY AND FITNESS FOR A PARTICULAR PURPOSE. THE PURCHASER ACKNOWLEDGES THAT THEY ALONE HAVE DETERMINED THAT THE PRODUCT WILL SUITABLY MEET THE REQUIREMENTS OF THE PURCHASER’S INTENDED USE.

Purchaser’s Remedy – Horizon’s sole obligation and purchaser’s sole and exclusive remedy shall be that Horizon will, at its option, either (i) service, or (ii) replace, any Product determined by Horizon to be defective. Horizon reserves the right to inspect any and all Product(s) involved in a warranty claim. Service or replacement decisions are at the sole discretion of Horizon. Proof of purchase is required for all warranty claims. SERVICE OR REPLACEMENT AS PROVIDED UNDER THIS WARRANTY IS THE PURCHASER’S SOLE AND EXCLUSIVE REMEDY.

Limitation of Liability – HORIZON SHALL NOT BE LIABLE FOR SPECIAL, INDIRECT, INCIDENTAL OR CONSEQUENTIAL DAMAGES, LOSS OF PROFITS OR PRODUCTION OR COMMERCIAL LOSS IN ANY WAY, REGARDLESS OF WHETHER SUCH CLAIM IS BASED IN CONTRACT, WARRANTY, TORT, NEGLIGENCE, STRICT LIABILITY OR ANY OTHER THEORY OF LIABILITY, EVEN IF HORIZON HAS BEEN ADVISED OF THE POSSIBILITY OF SUCH DAMAGES. Further, in no event shall the liability of Horizon exceed the individual price of the Product on which liability is asserted. As Horizon has no control over use, setup, final assembly, modification or misuse, no liability shall be assumed nor accepted for any resulting damage or injury. By the act of use, setup or assembly, the user accepts all resulting liability. If you as the purchaser or user are not prepared to accept the liability associated with the use of the Product, purchaser is advised to return the Product immediately in new and unused condition to the place of purchase.

Law – These terms are governed by Illinois law (without regard to conflict of law principals). This warranty gives you specific legal rights, and you may also have other rights which vary from state to state. Horizon reserves the right to change or modify this warranty at any time without notice.

WARRANTY SERVICES

Questions, Assistance, and Services – Your local hobby store and/or place of purchase cannot provide warranty support or service. Once assembly, setup or use of the Product has been started, you must contact your local distributor or Horizon directly. This will enable Horizon to better answer your questions and service you in the event that you may need any assistance. For questions or assistance, please visit our website at www.horizonhobby.com, submit a Product Support Inquiry, or call the toll free telephone number referenced in the Warranty and Service Contact Information section to speak with a Product Support representative.

Inspection or Services – If this Product needs to be inspected or serviced and is compliant in the country you live and use the Product in, please use the Horizon Online Service Request submission process found on our website or call Horizon to obtain a Return Merchandise Authorization (RMA) number. Pack the Product securely using a shipping carton. Please note that original boxes may be included, but are not designed to withstand the rigors of shipping without additional protection. Ship via a carrier that provides tracking and insurance for lost or damaged parcels, as Horizon is not responsible for merchandise until it arrives and is accepted at our facility. An Online Service Request is available at http://www.horizonhobby.com/content/service-center_render-service-center. If you do not have internet access, please contact Horizon Product Support to obtain a RMA number along with instructions for submitting your product for service. When calling Horizon, you will be asked to provide your complete name, street address, email address and phone number where you can be reached during business hours. When sending product into Horizon, please include your RMA number, a list of the included items, and a brief summary of the problem. A copy of your original sales receipt must be included for warranty consideration. Be sure your name, address, and RMA number are clearly written on the outside of the shipping carton.

NOTICE: Do not ship LiPo batteries to Horizon. If you have any issue with a LiPo battery, please contact the appropriate Horizon Product Support office.

Warranty Requirements – For Warranty consideration, you must include your original sales receipt verifying the proof-of-purchase date. Provided warranty conditions have been met, your Product will be serviced or replaced free of charge. Service or replacement decisions are at the sole discretion of Horizon.

Non-Warranty Service – Should your service not be covered by warranty, service will be completed and payment will be required without notification or estimate of the expense unless the expense exceeds 50% of the retail purchase cost. By submitting the item for service you are agreeing to payment of the service without notification. Service estimates are available upon request. You must include this request with your item submitted for service. Non-warranty service estimates will be billed a minimum of 1/2 hour of labor. In addition you will be billed for return

freight. Horizon accepts money orders and cashier's checks, as well as Visa, MasterCard, American Express, and Discover cards. By submitting any item to Horizon for service, you are agreeing to Horizon's Terms and Conditions found on our website http://www.horizonhobby.com/content/service-center_render-service-center.

ATTENTION: Horizon service is limited to Product compliant in the country of use and ownership. If received, a non-compliant Product will not be serviced. Further, the sender will be responsible for arranging return shipment of the un-serviced Product, through a carrier of the sender's choice and at the sender's expense. Horizon will hold non-compliant Product for a period of 60 days from notification, after which it will be discarded.

10/15

WARRANTY AND SERVICE CONTACT INFORMATION

Country of Purchase	Horizon Hobby	Contact Information	Address
United States of America	Horizon Service Center (Repairs and Repair Requests)	servicecenter.horizonhobby.com/RequestForm/	2904 Research Rd Champaign, IL 61822
	Horizon Product Support (Product Technical Assistance)	productsupport@horizonhobby.com 800-338-4639	
	Sales	websales@horizonhobby.com 800-338-4639	
European Union	Horizon Technischer Service	service@horizonhobby.eu	Hanskampring 9 D 22885 Barsbüttel, Germany
	Sales: Horizon Hobby GmbH	+49 (0) 4121 2655 100	

FCC INFORMATION

FCC ID: BRWSPMSLT200F

This equipment complies with FCC and IC radiation exposure limits set forth for an uncontrolled environment. This equipment should be installed and operated with minimum distance 20cm between the radiator and/or antenna and your body (excluding fingers, hands, wrists, ankles and feet). This transmitter must not be co-located or operating in conjunction with any other antenna or transmitter.

Supplier's Declaration of Conformity Axial Jeep Gladiator JT 1/24 Scale SCX24 4WD Rock Crawler RTR (AXI00005V2T3/T4/T5)

FCC This device complies with part 15 of the FCC Rules. Operation is subject to the following two conditions: (1) This device may not cause harmful interference, and (2) this device must accept any interference received, including interference that may cause undesired operation.



CAUTION: Changes or modifications not expressly approved by the party responsible for compliance could void the user's authority to operate the equipment.

NOTE: This equipment has been tested and found to comply with the limits for a Class B digital device, pursuant to part 15 of the FCC Rules. These limits are

designed to provide reasonable protection against harmful interference in a residential installation. This equipment generates, uses and can radiate radio frequency energy and, if not installed and used in accordance with the instructions, may cause harmful interference to radio communications. However, there is no guarantee that interference will not occur in a particular installation. If this equipment does cause harmful interference to radio or television reception, which can be determined by turning the equipment off and on, the user is encouraged to try to correct the interference by one or more of the following measures:

- Reorient or relocate the receiving antenna.
- Increase the separation between the equipment and receiver.
- Connect the equipment into an outlet on a circuit different from that to which the receiver is connected.
- Consult the dealer or an experienced radio/TV technician for help.

Horizon Hobby, LLC
2904 Research Road,
Champaign, IL 61822
Email: compliance@horizonhobby.com
Web: HorizonHobby.com

IC INFORMATION

IC: 6157A-SPMSLT200F
CAN ICES-3 (B)/NMB-3(B)

This device contains license-exempt transmitter(s)/ receivers(s) that comply with Innovation, Science, and Economic Development Canada's license-exempt RSS(s).

Operation is subject to the following 2 conditions:

1. This device may not cause interference.
2. This device must accept any interference, including interference that may cause undesired operation of the device.

COMPLIANCE INFORMATION FOR THE EUROPEAN UNION

CE EU Compliance Statement:
Axial Jeep Gladiator JT 1/24 Scale
SCX24 4WD Rock Crawler RTR

(AXI00005V2T3/T4/T5): Hereby, Horizon Hobby, LLC declares that the device is in compliance with the following: EU Low Voltage Directive 2014/35/EU; EU EMC Directive 2014/30/EU; EU Radio Equipment Directive 2014/53/EU; RoHS 2 Directive 2011/65/EU; RoHS 3 Directive - Amending 2011/65/EU Annex II 2015/863.

The full text of the EU declaration of conformity is available at the following internet address: <https://www.horizonhobby.com/content/support-render-compliance>.

NOTE: This product contains batteries that are covered under the 2006/66/EC European Directive, which cannot be disposed of with normal household waste. Please follow local regulations.

Wireless Frequency Range and Wireless Output Power
Transmitter
 2410MHz-2480MHz
 13.66 dBm

EU Manufacturer of Record:

Horizon Hobby, LLC
 2904 Research Road
 Champaign, IL 61822 USA

EU Importer of Record:

Horizon Hobby, GmbH
 Hanskampring 9
 22885 Barsbüttel Germany

WEEE NOTICE:



This appliance is labeled in accordance with European Directive 2012/19/EU concerning waste of electrical and electronic equipment (WEEE). This label indicates that this product should not be disposed of with household waste. It should be deposited at an appropriate facility to enable recovery and recycling.



HINWIS

Allen Anweisungen, Garantien und anderen zugehörigen Dokumenten sind Änderungen nach Ermessen von Horizon Hobby, LLC vorbehalten. Aktuelle Produktliteratur finden Sie unter www.horizonhobby.com oder www.towerhobbies.com im Support-Abschnitt für das Produkt.

ERKLÄRUNG DER BEGRIFFE

Die folgenden Begriffe werden in der gesamten Produktliteratur verwendet, um auf unterschiedlich hohe Gefahrenrisiken beim Betrieb dieses Produkts hinzuweisen:

WARNUNG: Wenn diese Verfahren nicht korrekt befolgt werden, ergeben sich wahrscheinlich Sachschäden, Kollateralschäden und schwere Verletzungen ODER mit hoher Wahrscheinlichkeit oberflächliche Verletzungen.

ACHTUNG: Wenn diese Verfahren nicht korrekt befolgt werden, ergeben sich wahrscheinlich Sachschäden UND die Gefahr von schweren Verletzungen.

HINWEIS: Wenn diese Verfahren nicht korrekt befolgt werden, können sich möglicherweise Sachschäden UND geringe oder keine Gefahr von Verletzungen ergeben.



WARNUNG: Lesen Sie die GESAMTE Bedienungsanleitung, um sich vor dem Betrieb mit den Produktfunktionen vertraut zu machen. Wird das Produkt nicht korrekt betrieben, kann dies zu Schäden am Produkt oder persönlichem Eigentum führen oder schwere Verletzungen verursachen.

Dies ist ein hochentwickeltes Hobby-Produkt. Es muss mit Vorsicht und gesundem Menschenverstand betrieben werden und benötigt gewisse mechanische Grundfähigkeiten. Wird dieses Produkt nicht auf eine sichere und verantwortungsvolle Weise betrieben, kann dies zu Verletzungen oder Schäden am Produkt oder anderen Sachwerten führen. Versuchen Sie nicht ohne Genehmigung durch Horizon Hobby, LLC, das Produkt zu zerlegen, es mit inkompatiblen Komponenten zu verwenden oder auf jegliche Weise zu erweitern. Diese Bedienungsanleitung enthält Anweisungen für Sicherheit, Betrieb und Wartung. Es ist unbedingt notwendig, vor Zusammenbau, Einrichtung oder Verwendung alle Anweisungen und Warnhinweise im Handbuch zu lesen und zu befolgen, damit es bestimmungsgemäß betrieben werden kann und Schäden oder schwere Verletzungen vermieden werden.

Nicht geeignet für Kinder unter 14 Jahren. Dies ist kein Spielzeug.

SICHERHEITSHINWEISE UND WARNUNGEN

Als Nutzer dieses Produktes, sind Sie allein verantwortlich, es in einer Art und Weise zu benutzen, die eine eigene Gefährdung und die anderer oder Beschädigung an anderem Eigentum ausschließt.

Das Modell ist ferngesteuert und anfällig für bestimmte äußere Einflüsse. Diese Einflüsse können zum vorübergehenden Verlust der Steuerfähigkeit führen, so dass es immer sinnvoll ist genügend Sicherheitsabstand in alle Richtungen um das Modell zu haben.

- Fahren Sie das Modell nie mit fast leeren oder schwachen Senderbatterien.
- Betreiben Sie Ihr Modell stets auf offenen Geländen, weit ab von Automobilen, Verkehr und Menschen.
- Fahren Sie Ihr Modell nicht auf der Straße oder belebten Plätzen.
- Beachten Sie vorsichtig alle Hinweise und Warnungen für das Modell und allen dazu gehörigen Equipment.
- Halten Sie alle Chemikalien, Kleinteile und elektrische Bauteile aus der Reichweite von Kindern.
- Lecken Sie niemals an Teilen von Ihrem Modell oder nehmen diese in den Mund, da diese Sie ernsthaft verletzen oder töten können.
- Seien Sie immer aufmerksam wenn Sie Werkzeug oder scharfe Instrumente verwenden.
- Seien Sie bei dem Bau vorsichtig, da einige Teile scharfe Kanten haben könnten.
- Fassen Sie bitte unmittelbar nach dem Betrieb nicht den Motor, Regler oder Akku an, da diese Teile sich sehr erwärmen können und Sie sich bei dem berühren ernsthaft verbrennen können.
- Fassen Sie nicht in drehende oder sich bewegende Teile, da sich sich ernsthaft dabei verletzen können.
- Schalten Sie immer zuerst den Sender ein, bevor Sie den Empfänger im Fahrzeug einschalten.
- Stellen Sie das Fahrzeug mit den Rädern nicht auf den Boden, wenn Sie die Funktionen überprüfen.

INHALTSVERZEICHNIS

Wassergeschütztes Fahrzeug mit wasserdichter Elektronik.....	16	Überprüfen der Bedienelemente.....	22
Packungsinhalt	17	Nach dem Fahren	23
Akku-Warnhinweise.....	18	Binden von Sender und Empfänger.....	23
Laden des Fahrzeug-Akkus.....	18	Problemlösung.....	24
Sender Anordnung	19	Teilleiste	24
Einsetzen der Senderbattereien.....	20	Eingeschränkte Garantie.....	25
Die Fahrzeugabdeckung entfernen	20	Garantie und Service Kontaktinformationen	26
Den Fahrzeug-Akku einsetzen	21	Konformitätshinweise für die Europäische Union	26
Den Sender einschalten.....	21	Explosionszeichnungen	51
Fahrzeug einschalten	22		

WASSERGESCHÜTZTES FAHRZEUG MIT WASSERDICHTER ELEKTRONIK

Ihr neues Horizon Hobby Fahrzeug wurde mit einer Kombination von wasserfesten und spritzwassergeschützten Komponenten ausgestattet, die den Betrieb des Fahrzeuges unter nassen Bedingungen inklusive Pfützen, Bächen, nassem Gras, Schnee oder sogar Regen ermöglichen.

Obwohl das Fahrzeug sehr wasserfest ausgelegt ist, ist es nicht vollständig wasserdicht und sollte NICHT wie ein U-Boot behandelt werden. Die verschiedenen elektronischen Komponenten wie der elektronische Fahrtregler (ESC), die Servos und Empfänger sind wasserdicht, die meisten mechanischen Komponenten sind nur wasserbeständig und sollten daher nicht untergetaucht werden.

Metallteile, inklusive Lager, Bolzen Schrauben und Muttern wie auch die Kontakte in den elektrischen Kabeln sind für Korrosion anfällig wenn nicht zusätzliche Wartung nach jedem Betrieb in feuchter/nasser Umgebung erfolgt. Um die Langzeitleistung und die Garantie ihres Fahrzeuges zu erhalten, müssen Sie die Wartung wie in der Wartungsanleitung nach Fahrten in nasser Umgebung beschrieben durchführen. Sollten Sie diese zusätzliche Wartung nicht ausführen wollen, dürfen Sie ihr Fahrzeug unter diesen Bedingungen nicht betreiben.



ACHTUNG: Mangelnde Aufmerksamkeit bei dem Gebrauch dieses Produktes in Verbindung mit den folgenden Sicherheitshinweisen könnte zu Fehlfunktionen und zum Verlust der Garantie führen.

ALLGEMEINE SICHERHEITSHINWEISE

- Bitte lesen Sie sich die Wartungsanleitung nach Fahrten in nasser Umgebung sorgfältig durch und stellen sicher, dass Sie alle Werkzeuge für eine Wartung des Fahrzeuges haben.
- Sie können nicht alle Akkutypen für Fahrten in nasser Umgebung nutzen. Fragen Sie dazu vor dem Einsatz den Hersteller des Akkus. Achtsamkeit und Vorsicht ist notwendig wenn Sie LiPo Akkus in feuchten Umgebungen einsetzen.
- Die meisten Sender sind nicht wasserfest. Sehen Sie bitte dazu vor Inbetriebnahme in der Bedienungsanleitung ihres Senders nach oder kontaktieren Sie den Hersteller.
- Nehmen Sie niemals den Sender bei Blitzen oder Gewitter in Betrieb.
- Betreiben Sie ihr Fahrzeug nicht an Orten wo es in Kontakt mit Salzwasser oder verschmutzten, belasteten Gewässern kommen kann. Salzwasser ist sehr leitend und stark korrosionsfördernd, sein Sie daher sehr achtsam.
- Schon geringer Wasserkontakt kann den Motor beschädigen wenn er nicht für den Betrieb in Wasser ausgelegt ist. Sollte der Motor nass geworden sein geben Sie etwas Gas bis die meiste Feuchtigkeit vom Motor entfernt ist. Lassen Sie einen nassen Motor auf hoher Geschwindigkeit laufen wird dieses den Motor sehr schnell beschädigen.
- Fahren in nasser Umgebung kann die Lebenszeit des Motors reduzieren, da dieses den Motor stark beansprucht. Verändern Sie die Untersetzung zu einem kleinerem Ritzel oder größeren Zahnrad. Dieses erhöht das Drehmoment (und verlängert die Motorlebensdauer) bei dem Betrieb in Matsch, tieferen Pfützen oder anderen Bedingungen, die die Last des Motors für einen längeren Zeitraum erhöhen.

WARTUNGSANLEITUNG NACH FAHRTEN IN NASSER UMGEBUNG

- Entfernen Sie Wasser in den Reifen durch Gas geben. Nehmen Sie die Karosserie ab, drehen das Fahrzeug auf den Kopf und geben ein paar Mal kurz Vollgas bis das Wasser aus dem Reifen entfernt ist.



ACHTUNG: Halten Sie immer die Hände, Finger, Werkzeuge und andere lose oder hängende Objekte weg von drehenden Teilen wenn Sie diese Technik des Trocknens praktizieren.

- Entfernen Sie die Akkupacks und trocknen die Kontakte. Sollten Sie einen Kompressor oder Druckluft zur Verfügung haben, blasen Sie damit das Wasser aus dem Motorgehäuse.
- Nehmen Sie die Reifen und Felgen vom Fahrzeug ab und spülen Sie vorsichtig mit einem Gartenschlauch ab. Vermeiden Sie die Lager oder den Antrieb direkt zu spülen.

HINWEIS: Verwenden Sie keinen Hochdruckreiniger um das Fahrzeug zu reinigen.

- Reinigen Sie das Fahrzeug mit Druckluft aus einem Kompressor oder einer Druckluftflasche und entfernen so das Wasser aus den Spalten und Ecken.
- Sprühen Sie alle Lager, Befestigungen und andere Metallteile mit einem wasserverdrängendem Leichtöl oder Schmiermittel ein. Sprühen Sie nicht den Motor ein.
- Lassen Sie das Fahrzeug vor dem Einlagern vollständig trocknen. Das Abtropfen von Wasser (und Öl) kann durchaus ein paar Stunden dauern.
- Erhöhen Sie die Wartungsintervalle (Demontage, Inspektion und schmieren) von folgenden Komponenten:
 - Vorder- und Hinterachse, Aufnahme und Lager.
 - Alle Antriebswellen Lager, Gehäuse, Getriebe und Differentiale.
 - Motor: reinigen Sie den Motor mit einen Aerosol Reiniger und ölen Sie dann die Lager mit leichtem Motoröl.

PACKUNGSGEHALT

ENTHALTENE BAUTEILE	
Fahrzeug	SCX Jeep Gladiator 1/24th Scale RTR (AXI00005V2)
Sender	SLT-2 2,4 GHz 2 Kanäle (SPMRSLT200)
Ladegerät	Spektrum USB-C 2S LiPo-Ladegerät JST-XH (SPMXC0030)
Fahrzeug-Akku	Spektrum 7,4 V, 350 mAh, 2S LiPo: PH (DYNB0012)
Motor	SCX24 030-Motor mit Ritzel (DYNS1217)
Geschwindigkeitsregler/ Empfänger	Geschwindigkeitsregler/Empfänger mit Vorwärts- und Rückwärtsgang (SPMXSE2425RX)
Servo	AS-1 Mikroservo (AXI31619)
Sender-Akkus	(4) AA-Alkali

SPEZIFIKATIONEN	
Länge	250.5mm
Breite	122.6mm
Höhe	106.9mm
Betriebsgewicht	269.6g

AKKU-WARNHINWEISE



WARNUNG: Unaufmerksamkeit oder falscher Gebrauch des Produktes in Zusammenhang mit den folgenden Warnungen kann zu Fehlfunktionen, elektrischen Störungen, große Hitzeentwicklung, FEUER, und tödlichen Verletzungen und Sachbeschädigungen führen.

- **EINEN AKKU WÄHREND DES LADENS NIE UNBEAUFICHTIGT LASSEN.**
- **LADEN SIE NIEMALS AKKUS ÜBER NACHT.**
- Versuchen Sie niemals defekte, beschädigte oder nasse Akkus zu laden.
- Versuchen Sie niemals einen Akkupack zu laden der aus verschiedenen Akkutypen besteht.
- Erlauben Sie nicht Kinder unter 14 Jahren Akkus zu laden.
- Laden Sie niemals Akkus in extrem heißen oder kalten Orten oder in direkter Sonneneinstrahlung.
- Laden Sie niemals einen Akku dessen Kabel gekürzt oder beschädigt ist.
- Verwenden Sie niemals ein gekürztes oder beschädigtes Netz- oder Stromkabel.
- Schließen Sie niemals ein Ladegerät an eine 12 Volt Fahrzeugbatterie an wenn das Fahrzeug läuft.
- Versuchen Sie niemals ein Ladegerät auseinander zu bauen oder eine beschädigtes Ladegerät zu verwenden.
- Schließen Sie am Ladegerät niemals gleichzeitig den AC oder DC Stromeingang an.
- Schließen Sie niemals den DC Anschluss am AC Netzstrom an.
- Nur wiederaufladbare Ni-MH-Akkus verwenden. Dieses Ladegerät kann keine Akkus vom Typ „Hochleistungsbatterie“, „Alkali-Batterie“, „Lithium-Batterie“ oder „Quecksilberbatterie“ laden. Überprüfen Sie immer den Akku vor dem Laden.
- Halten Sie den Akku stets fern von Materialien die durch Hitze beeinflusst werden können.
- Halten Sie den Ladevorgang im Blick und stets einen Feuerlöscher verfügbar.

- Sollte der Akku beim Laden oder im Flug beginnen, sich auszudehnen oder anzuschwellen stoppen Sie den Ladevorgang oder den Flug unverzüglich.
- Schließen Sie zuerst das Ladekabel an das Ladegerät an und dann den Akku um Kurzschlüsse zu vermeiden. Trennen Sie die Verbindung in umgekehrter Reihenfolge.
- Schließen Sie den Pluspolanschluss (+) und den Minuspolanschluss (-) stets korrekt an.
- Trennen Sie nach dem Laden immer den Akku vom Ladegerät und lassen das Ladegerät zwischen dem Laden abkühlen.
- Laden Sie stets in einem gut belüfteten Bereich.
- Beenden Sie bei Fehlfunktion sofort alle Prozesse und kontaktieren den technischen Service von Horizon Hobby.
- Laden Sie nur wiederaufladbare Akkus. Dass Laden von nicht aufladbaren Batterien kann diesem zum Platzeln bringen und Verletzungen und Sachschäden zur Folge haben.
- Die Mehrfachsteckdose sollte sich in der Nähe der Ausrüstung befinden und leicht erreichbar sein.



ACHTUNG: Bitte stellen Sie sicher, dass die verwendeten Akkus mit den Spezifikationen des Ladegerätes übereinstimmen und die Einstellungen des Ladegerät korrekt eingestellt sind. Ein Nichtbefolgen kann zu großer Hitze und weiteren Fehlfunktionen führen, die zu Personen- oder Sachschäden führen können. Bitte kontaktieren Sie Horizonhobby oder einen autorisierten Händler wenn Sie Fragen zur Akkukompatibilität haben.



ACHTUNG: Wenn der Akkupack während des Ladevorgangs zu irgendeinem Zeitpunkt heiß wird oder zu qualmen beginnt, den Akku sofort trennen und den Ladevorgang unterbrechen, da Akkus Feuer, Kollateralschäden und Verletzungen verursachen können.

AKKU-WARNHINWEISE

Zum Laden des Akkus nur das mitgelieferte USB-Ladegerät verwenden.

1. Das Ladegerät an eine geeignete USB-Ladestelle anschließen. Das Ladegerät funktioniert mit den meisten mobilen 5V-Stromquellen oder Smartphone-Ladegeräten mit mindestens 1 Ampere Ausgangsleistung.

HINWEIS: Das Laden des Akkus mit einer USB-Ladestelle von weniger als 1 Ampere Ausgangsleistung kann Wärme erzeugen.

2. Die Ladegerät-Leitung am Akku mit der richtigen Polarität anschließen. Das Laden eines vollständig entladenen Akkus kann etwa 45–60 Minuten dauern. Die Ladezeiten können abhängig von der Stromquelle variieren.
3. Den Akku aus dem Ladegerät nehmen, wenn der Ladezyklus abgeschlossen ist.
4. Das Ladegerät von der Stromquelle trennen.



ACHTUNG: Entnehmen Sie den Akku aus dem Lader, sobald dieser fertig geladen ist. Belassen Sie den Akku niemals im Lader.

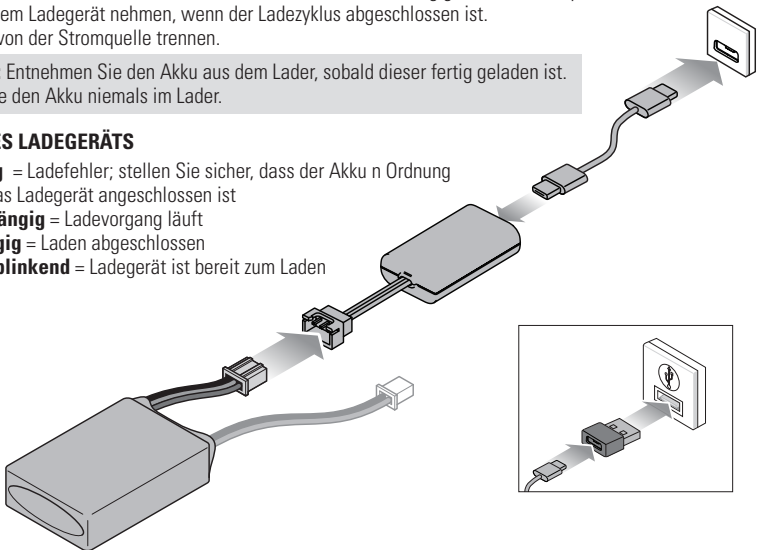
LED-ANZEIGEN DES LADEGERÄTS

ROT, durchgängig = Ladefehler; stellen Sie sicher, dass der Akku in Ordnung ist und richtig an das Ladegerät angeschlossen ist

ORANGE, durchgängig = Ladevorgang läuft

GRÜN, durchgängig = Laden abgeschlossen

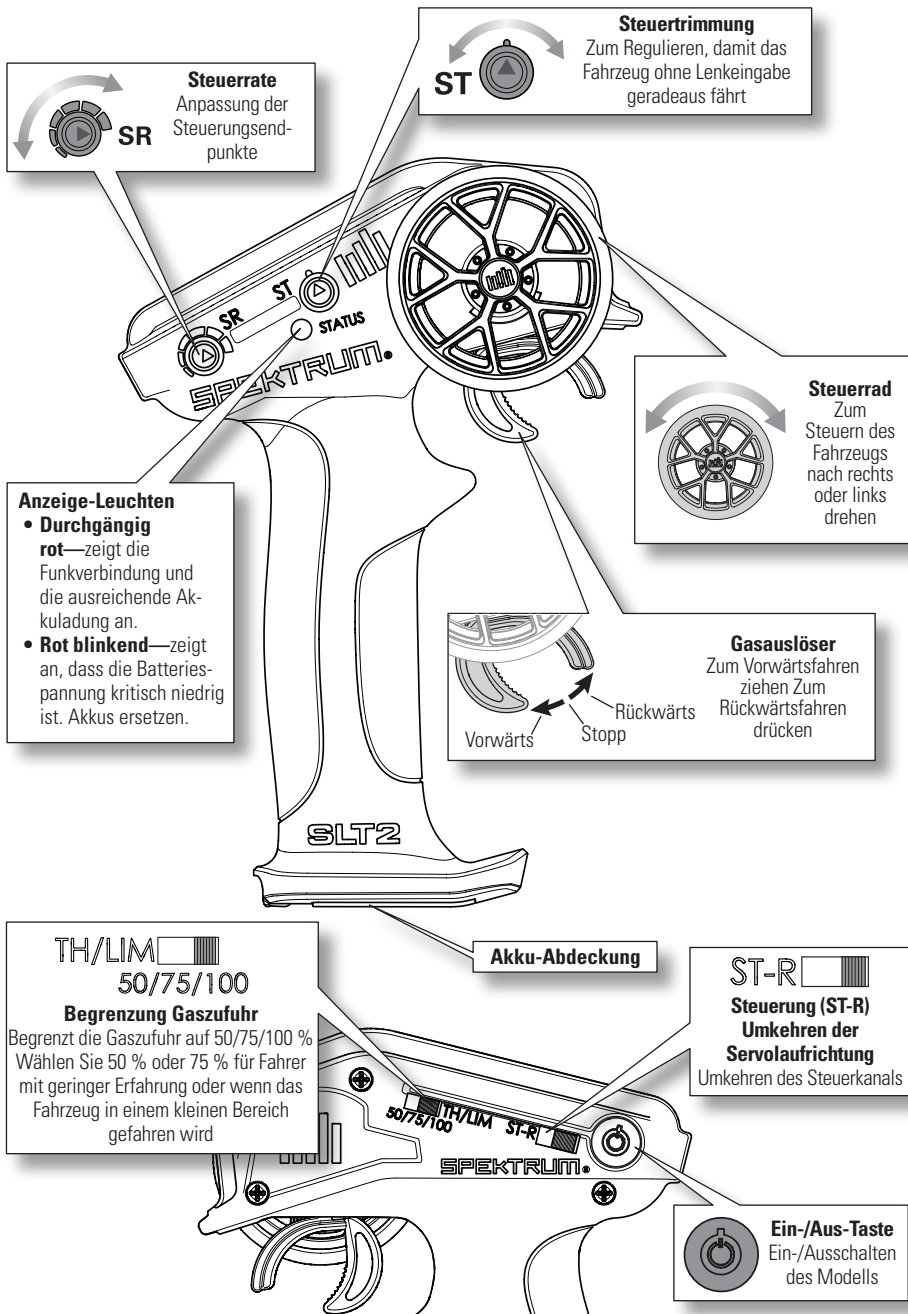
ORANGE/GRÜN, blinkend = Ladegerät ist bereit zum Laden



SENDER ANORDNUNG

Machen Sie sich mithilfe der nachstehenden Grafik mit den verschiedenen Teilen Ihres Senders vertraut.

Die Senderantenne ist intern montiert und befindet sich im vorderen Teil des Senders. Den Sender beim Fahren Ihres Modells so senkrecht wie möglich halten. Versuchen Sie nicht, Ihrem Modell mit dem Sender zu folgen. Auf diese Weise wird das beste HF-Signal zwischen Sender und Empfänger gewährleistet. Während des Betriebs die Vorderseite des Senders nicht bedecken, da dies das HF-Signal blockieren und zum Verlust der Kontrolle führen kann.



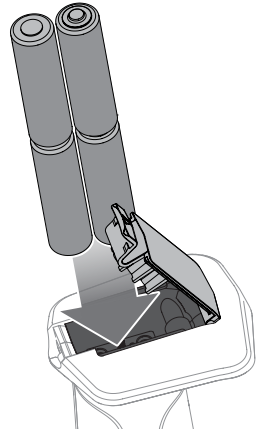
EINSETZEN DER SENDERBATTEREIEN

1. Die Verriegelung des Akkufachs hinunterdrücken und die Akkuabdeckung zum Öffnen aufklappen.
2. 4 AA-Alkali-Batterien einsetzen und die korrekte Polarität sicherstellen.
3. Die Akkuabdeckung schließen, bis sie einrastet.

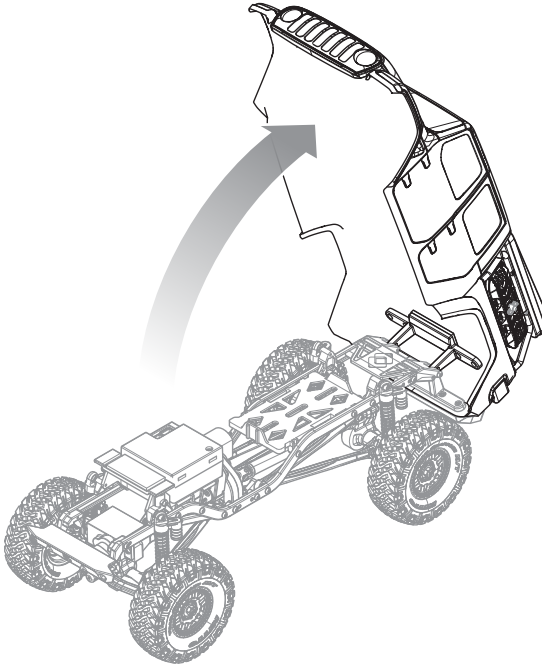
⚠ ACHTUNG: NIEMALS die Sender-Akkus entfernen, während das Fahrzeug EINgeschaltet ist. Es kann zu einem Kontrollverlust über das Fahrzeug, zu einer Beschädigung oder zu Verletzungen kommen.

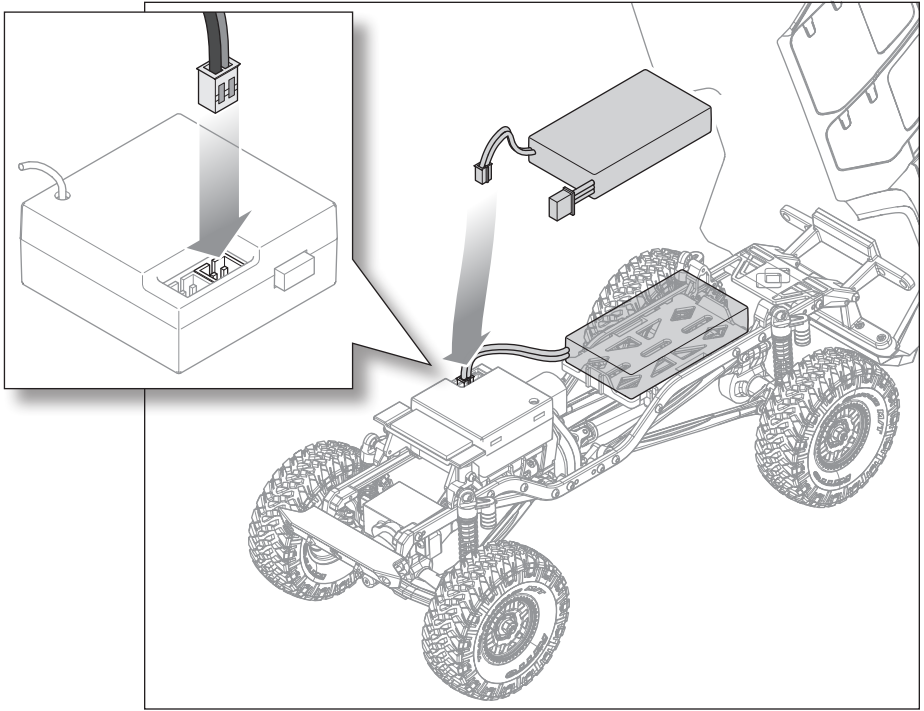
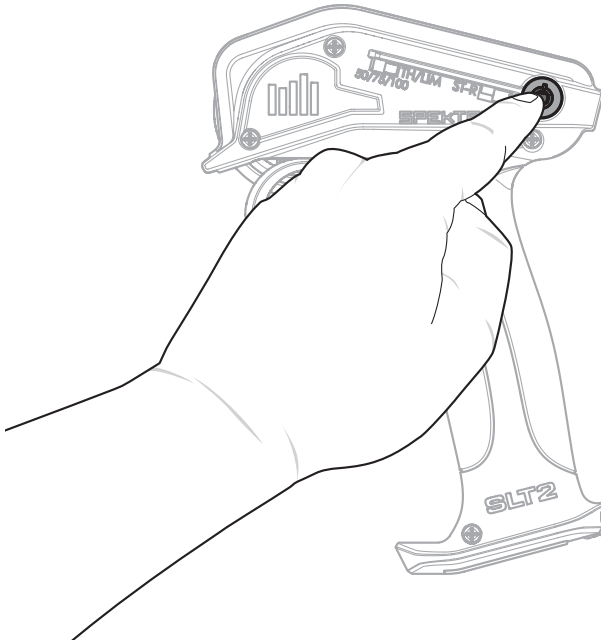
⚠ ACHTUNG: Bei der Verwendung von wiederaufladbaren Akkus dürfen auch nur solche erneut geladen werden. Das Aufladen von normalen, nicht wiederaufladbaren Akkus kann ein Platzen der Akkus und damit verbundene Verletzungen oder Sachschäden verursachen.

⚠ ACHTUNG: Es besteht Explosionsgefahr, wenn der Akku durch einen falschen Akku-Typ ersetzt wird. Die Alt-Akkus gemäß den örtlichen Gesetzen entsorgen.

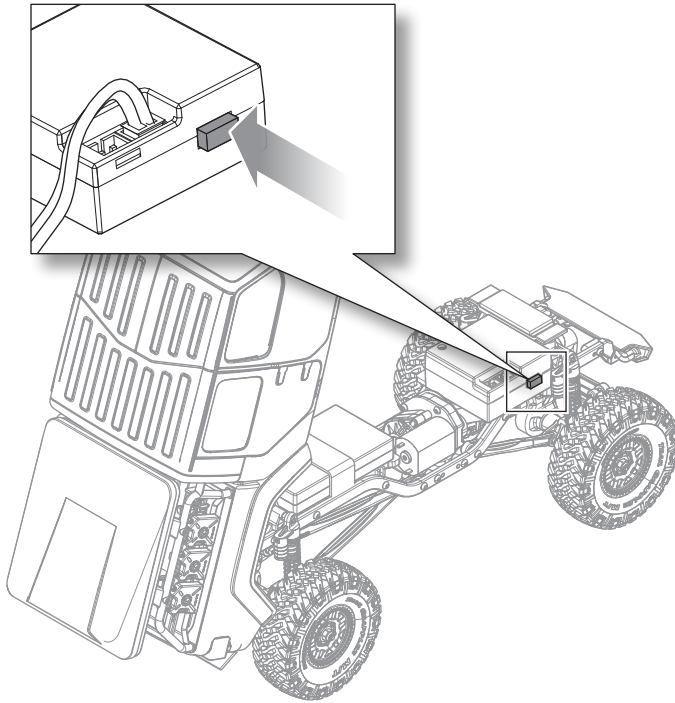


DIE FAHRZEUGABDECKUNG ENTFERNEN



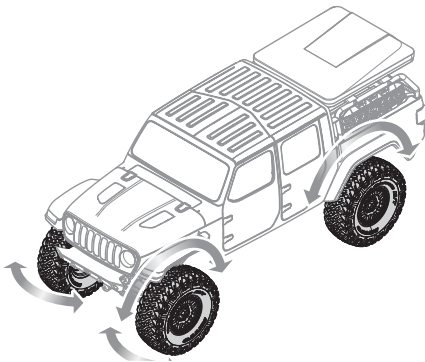
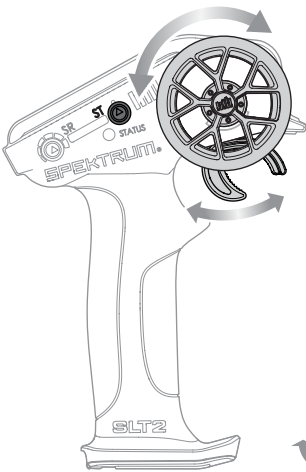
DEN FAHRZEUG-AKKU EINSETZEN**DEN SENDER EINSCHALTEN**

FAHRZEUG EINSCHALTEN



ÜBERPRÜFEN DER BEDIENELEMENTE

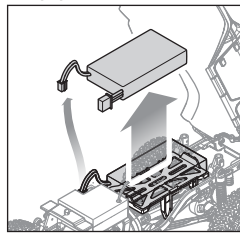
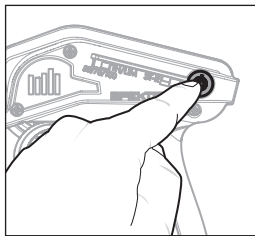
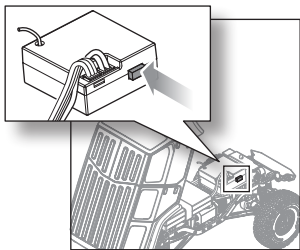
Während der Überprüfung der Lenk- und Gassteuerelemente dürfen die Räder des Fahrzeugs den Boden nicht berühren. Stellen Sie sicher, dass sich die Räder in die richtige Richtung drehen und dass die Vorderräder bei einer Lenkeingabe in die richtige Richtung zeigen. Nach dem Überprüfen der korrekten Steuerungsrichtung, beginnen Sie langsam zu fahren. Wenn das Fahrzeug ohne Lenkeingabe nicht geradeaus fährt, das Einstellrad für die Steuertrimmung am Sender so anpassen, dass das Fahrzeug ohne Lenkeingabe eine gerade Linie hält ... Viel Freude mit Ihrem Fahrzeug!



NACH DEM FAHREN

Wenn Sie mit dem Fahren Ihres Fahrzeugs fertig sind:

1. Das Fahrzeug ausschalten.
2. Den Sender ausschalten.
3. Den Akku aus dem Fahrzeug nehmen und gegebenenfalls aufladen.



BINDEN VON SENDE R UND EMPFÄNGER

Das Binden ist der Vorgang, durch den der Empfänger darauf programmiert wird, ein bestimmtes Sendersignal zu erkennen, um so Störungen durch andere Sender zu vermeiden. Sender und Empfänger, die im Lieferumfang Ihres Fahrzeugs enthalten sind, werden werkseitig gebunden. Muss eine erneute Bindung durchgeführt werden, so ist die nachfolgende Anleitung zu befolgen.

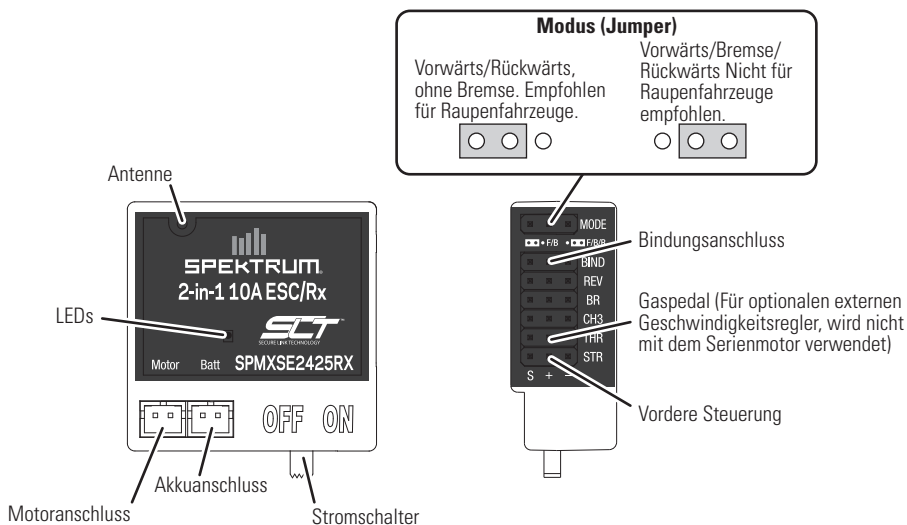
HINWEIS: Sender und Empfänger sollten nur dann gebunden werden, wenn sich im Umkreis von ca. 120 m (400 Fuß) kein weiterer kompatibler Sender im Bindungsmodus befindet. Andernfalls kann es zu einer unerwarteten Bindung an den falschen Sender und zum Verlust der Kontrolle über Ihr Fahrzeug kommen.

Vor Beginn des Bindevorgangs ist sicherzustellen, dass die Servos und der Motor an die richtigen Anschlüsse am Empfänger angeschlossen sind und der Sender mit aufgeladenen Akkus ausgestattet ist.

1. Stecken Sie den Bindestecker in den Empfänger.
2. Schalten Sie den Empfänger ein. Die Empfänger-LED blinkt schnell.
3. Schalten Sie den Sender ein. Die Sender-LED blinkt.
4. Wenn die LED dauerhaft leuchtet, ist die Bindung abgeschlossen.

Die Empfänger-LED leuchtet dauerhaft, wenn Sender und Empfänger eingeschaltet sind. Wenn die Empfänger-LED schnell blinkt oder nicht leuchtet, sind Sender und Empfänger nicht betroffen. Schalten Sie Sender und Empfänger aus und wiederholen Sie den Bindungsvorgang.

SCHALTPLAN FÜR EMPFÄNGER UND ESC



PROBLEMLÖSUNG

PROBLEM	MÖGLICHE URSACHE	LÖSUNG
Fahrzeug bewegt sich nicht	Die Akkus sind nicht richtig in den Sender eingesetzt	Sicherstellen, dass die Sender-Akkus richtig eingesetzt sind
	Schwacher oder kein Akku im Fahrzeug	Einsetzen eines neu aufgeladenen Fahrzeug-Akkus
	Beschädigter Motor	Motor ersetzen
	Ausgefranzte oder gebrochene Kabel	Jedes beschädigte Kabel ersetzen
	Geschwindigkeitsregler wird durch Hitzeschutzschaltung abgeschaltet	Den Geschwindigkeitsregler vollständig abkühlen lassen
Schaden an/Verlust der Fahrzeugsteuerung	Unsachgemäße Positionierung der Antenne	Sicherstellen, dass die Senderantenne nicht blockiert ist und die Empfängerantenne richtig positioniert ist
	Schwacher oder kein Akku im Sender oder Fahrzeug	Einsetzen eines neu aufgeladenen Fahrzeug- und neuer Sender-Akkus
	Neutral- oder Trimmposition ist falsch	Steuertrimmung ausrichten
	Empfänger und/oder Akku nicht richtig angeschlossen	Alle Empfänger- und Akku-Verbindungen überprüfen
Steuer- und/oder Gaszufuhrfunktion ist vertauscht	Der Servo-Verfahrenweg ist umgekehrt am Sender	Den Servoumkehrschalter des Senders in die richtige Position bringen
	Motorkabel sind nicht ordnungsgemäß verbunden	Überprüfen aller Motorkabel auf korrekte Polarität und sichere Verbindung

TEILELISTE

AXI200005	SCX24 Jeep JT Gladiator-Gehäuse, Transparent	AXI31609	SCX24 Vorderachse (montiert)
AXI200006	Heckstoßstange & Aufhängung	AXI31610	SCX24 Hinterachse (montiert)
AXI200007	Käfigsatz	AXI31611	SCX24 Antriebswellensatz (S, M, L)
AXI200008	Zubehörpaket Überland	AXI31619	AS-1 Mikro servo
AXI201001	Frontstoßstange	AXI40004	2.0 Nitto Trail Grappler-Reifen (4)
AXI201003	Karosserie XL WB, 153,7 mm	AXI40005	1.0 KMC Macheten-Räder, Satinsilber (4)
AXI202000	Antriebswellensatz, Kurz & XL	AXIC1147	AX31147 Nylon-Feststellmutter 2 mm (10)
AXI203002	Öl-Stoßdämpfer-Set	SPMRSLT300	SLT3 3CH 2.4Ghz Nur SLT TX
AXI203003	Federnsatz	SPMX3502S30	7.4 V 350 mAh 2S 30C LiPo-Akku: PH2.0 2p
AXI204001	Aufhängungen, XL WB 153,7 mm	SPMXC0030	2S USB-C PH2.54 JST-XH Ladegerät
AXI204002	Hinterer Stoßdämpfer-Federnsatz, 4	SPMXSE2425RX	10 Ampere gebürsteter 2-in-1 Geschwindigkeitsregler/Empfänger SLT Kombi
AXI31608	SCX24 Getriebe (montiert)		

OPTIONALE TEILE

AXI302001	Differentialabdeckung, Messing	DYNH2027	Schraubensatz aus Edelstahl
AXI302002	Sechskantnabe, Messing (2)	DYNT0503	Startup-Werkzeugsatz: Axial 1/24
AXI302003	Achsschenkel, Messing (L/R)	SPMXC1050	S1500 DC Smart-Ladegerät, 1 x 500W
AXI302004	Achsschenkelgewichte, Messing (4)	SPMXC2050	S155 G2 1x55W AC Smart-Ladegerät
AXI302005	Servohalterung, Messing	SPMXCA309	Adapter: IC3 Akku / JST-PH 2.0 Gerät
AXI302006	Halterung hinterer Oberlenker, Messing		

EINGESCHRÄNKTE GARANTIE

Warnung

Ein ferngesteuertes Modell ist kein Spielzeug. Es kann, wenn es falsch eingesetzt wird, zu erheblichen Verletzungen bei Lebewesen und Beschädigungen an Sachgütern führen. Betreiben Sie Ihr RC-Modell nur auf freien Plätzen und beachten Sie alle Hinweise der Bedienungsanleitung des Modells wie auch der Fernsteuerung.

Garantiezeitraum

Exklusive Garantie Horizon Hobby LLC (Horizon) garantiert, dass dasgekaufte Produkt frei von Material- und Montagefehlern ist. Der Garantiezeitraum entspricht den gesetzlichen Bestimmung des Landes, in dem das Produkt erworben wurde. In Deutschland beträgt der Garantiezeitraum 6 Monate und der Gewährleistungszeitraum 18 Monate nach dem Garantiezeitraum.

Einschränkungen der Garantie

- (a) Die Garantie wird nur dem Erstkäufer (Käufer) gewährt und kann nicht übertragen werden. Der Anspruch des Käufers besteht in der Reparatur oder dem Tausch im Rahmen dieser Garantie. Die Garantie erstreckt sich ausschließlich auf Produkte, die bei einem autorisierten Horizon Händler erworben wurden. Verkäufe an dritte werden von dieser Garantie nicht gedeckt. Garantieansprüche werden nur angenommen, wenn ein gültiger Kaufnachweis erbracht wird. Horizon behält sich das Recht vor, diese Garantiebestimmungen ohne Ankündigung zu ändern oder modifizieren und widerruft dann bestehende Garantiebestimmungen.
- (b) Horizon übernimmt keine Garantie für die Verkaufbarkeit des Produktes, die Fähigkeiten und die Fitness des Verbrauchers für einen bestimmten Einsatzzweck des Produktes. Der Käufer allein ist dafür verantwortlich, zu prüfen, ob das Produkt seinen Fähigkeiten und dem vorgesehenen Einsatzzweck entspricht.
- (c) Ansprüche des Käufers – Es liegt ausschließlich im Ermessen von Horizon, ob das Produkt, bei dem ein Garantiefall festgestellt wurde, repariert oder ausgetauscht wird. Dies sind die exklusiven Ansprüche des Käufers, wenn ein Defekt festgestellt wird.

Horizon behält sich vor, alle eingesetzten Komponenten zu prüfen, die in den Garantiefall einbezogen werden können. Die Entscheidung zur Reparatur oder zum Austausch liegt nur bei Horizon. Die Garantie schließt kosmetische Defekte oder Defekte, hervorgerufen durch höhere Gewalt, falsche Behandlung des Produktes, falscher Einsatz des Produktes, kommerziellen Einsatz oder Modifikationen irgendwelcher Art aus.

Die Garantie schließt Schäden, die durch falschen Einbau, falsche Handhabung, Unfälle, Betrieb, Service oder Reparaturversuche, die nicht von Horizon ausgeführt wurden aus.

Ausgeschlossen sind auch Fälle die bedingt durch (vii) eine Nutzung sind, die gegen geltendes Recht, Gesetze oder Regularien verstoßen haben. Rücksendungen durch den Käufer direkt an Horizon oder eine seiner Landesvertretung bedürfen der Schriftform.

Schadensbeschränkung

Horizon ist nicht für direkte oder indirekte Folgeschäden, Einkommensausfälle oder kommerzielle Verluste,

die in irgendeinem Zusammenhang mit dem Produkt stehen verantwortlich, unabhängig ab ein Anspruch im Zusammenhang mit einem Vertrag, der Garantie oder der Gewährleistung erhoben werden. Horizon wird darüber hinaus keine Ansprüche aus einem Garantiefall akzeptieren, die über den individuellen Wert des Produktes hinaus gehen. Horizon hat keinen Einfluss auf den Einbau, die Verwendung oder die Wartung des Produktes oder etwaiger Produktkombinationen, die vom Käufer gewählt werden. Horizon übernimmt keine Garantie und akzeptiert keine Ansprüche für in der Folge auftretende Verletzungen oder Beschädigungen. Mit der Verwendung und dem Einbau des Produktes akzeptiert der Käufer alle aufgeführten Garantiebestimmungen ohne Einschränkungen und Vorbehalte.

Wenn Sie als Käufer nicht bereit sind, diese Bestimmungen im Zusammenhang mit der Benutzung des Produktes zu akzeptieren, werden Sie gebeten, das Produkt in unbenutztem Zustand in der Originalverpackung vollständig bei dem Verkäufer zurückzugeben.

Sicherheitshinweise

Dieses ist ein hochwertiges Hobby Produkt und kein Spielzeug. Es muss mit Vorsicht und Umsicht eingesetzt werden und erfordert einige mechanische wie auch mentale Fähigkeiten. Ein Versagen, das Produkt sicher und umsichtig zu betreiben kann zu Verletzungen von Lebewesen und Sachbeschädigungen erheblichen Ausmaßes führen. Dieses Produkt ist nicht für den Gebrauch durch Kinder ohne die Aufsicht eines Erziehungsberechtigten vorgesehen. Die Anleitung enthält Sicherheitshinweise und Vorschriften sowie Hinweise für die Wartung und den Betrieb des Produktes. Es ist unabdingbar, diese Hinweise vor der ersten Inbetriebnahme zu lesen und zu verstehen. Nur so kann der falsche Umgang verhindert und Unfälle mit Verletzungen und Beschädigungen vermieden werden.

Fragen, Hilfe und Reparaturen

Ihr lokaler Fachhändler und die Verkaufsstelle können eine Garantiebeurteilung ohne Rücksprache mit Horizon nicht durchführen. Dies gilt auch für Garantiereparaturen. Deshalb kontaktieren Sie in einem solchen Fall den Händler, der sich mit Horizon kurz schließen wird, um eine sachgerechte Entscheidung zu fällen, die Ihnen schnellst möglich hilft.

Wartung und Reparatur

Muss Ihr Produkt gewartet oder repariert werden, wenden Sie sich entweder an Ihren Fachhändler oder direkt an Horizon.

Rücksendungen / Reparaturen werden nur mit einer von Horizon vergebenen RMA Nummer bearbeitet. Diese Nummer erhalten Sie oder ihr Fachhändler vom technischen Service. Mehr Informationen dazu erhalten Sie im Serviceportal unter www.Horizonhobby.de oder telefonisch bei dem technischen Service von Horizon.

Packen Sie das Produkt sorgfältig ein. Beachten Sie, dass der Originalkarton in der Regel nicht ausreicht, um beim Versand nicht beschädigt zu werden. Verwenden Sie einen Paketdienstleister mit einer Tracking Funktion und Versicherung, da Horizon bis zur Annahme keine Verantwortung für den Versand des Produktes übernimmt. Bitte legen Sie dem Produkt einen Kaufbeleg bei, sowie eine ausführliche Fehlerbeschreibung und eine Liste aller eingesendeten Einzelkomponenten. Weiterhin benötigen wir die vollständige

Garantie und Reparaturen

Garantieanfragen werden nur bearbeitet, wenn ein Originalkaufbeleg von einem autorisierten Fachhändler beiliegt, aus dem der Käufer und das Kaufdatum hervorgeht. Sollte sich ein Garantiefall bestätigen wird das Produkt repariert oder ersetzt. Diese Entscheidung obliegt einzig Horizon Hobby.

Kostenpflichtige Reparaturen

Liegt eine kostenpflichtige Reparatur vor, erstellen wir einen Kostenvorschlag, den wir Ihrem Händler übermitteln. Die Reparatur wird erst vorgenommen, wenn wir die Freigabe des Händlers erhalten. Der Preis für die Reparatur ist bei Ihrem Händler zu entrichten.

Bei kostenpflichtigen Reparaturen werden mindestens 30 Minuten Werkstattzeit und die Rückversandkosten in Rechnung gestellt. Sollten wir nach 90 Tagen keine Einverständniserklärung zur Reparatur vorliegen haben, behalten wir uns vor, das Produkt zu vernichten oder anderweitig zu verwerten.

ACHTUNG: Kostenpflichtige Reparaturen nehmen wir nur für Elektronik und Motoren vor. Mechanische Reparaturen, besonders bei Hubschraubern und RC-Cars sind extrem aufwendig und müssen deshalb vom Käufer selbst vorgenommen werden.

10/15

GARANTIE UND SERVICE KONTAKTINFORMATIONEN

Land des Kauf	Horizon Hobby	Telefon/E-mail Adresse	Adresse
Europäische Union	Horizon Technischer Service Sales: Horizon Hobby GmbH	service@horizonhobby.de +49 (0) 4121 2655 100	Hanskampring 9 D 22885 Barsbüttel, Germany

KONFORMITÄTSHINWEISE FÜR DIE EUROPÄISCHE UNION

CE **EU Konformitätserklärung**
Axial Jeep Gladiator 1/24th Scale
4WD RTR (AXI00005V2T3/T4/T5); Hiermit erklärt Horizon Hobby, LLC, dass das Gerät

den folgenden Richtlinien entspricht: EU-Richtlinie über Niederspannung 2014/35/EU; EU-Richtlinie über elektromagnetische Verträglichkeit 2014/30/EU; EU-Richtlinie über Funkanlagen 2014/53/EU; RoHS 2-Richtlinie 2011/65 / EU; RoHS 3-Richtlinie - Änderung 2011/65 / EU-Anhang II 2015/863.

Der vollständige Text der EU-Konformitätserklärung ist unter folgender Internetadresse abrufbar: <https://www.horizonhobby.com/content/support-render-compliance>.

HINWEIS: Dieses Produkt enthält Batterien, die unter die europäische Richtlinie 2006/66 / EG fallen und nicht mit dem Hausmüll entsorgt werden können. Bitte beachten Sie die örtlichen Vorschriften.

Drahtloser Frequenzbereich / Drahtlose Ausgangsleistung Sender

2.406-2.472 GHz
19dBm (<20dBm)

Offizieller EU-Hersteller:

Horizon Hobby, LLC
2904 Research Road
Champaign, IL 61822 USA

Offizieller EU-Importeur:

Horizon Hobby, GmbH
Hanskampring 9
22885 Barsbüttel Germany

WEEE-HINWEIS:

Dieses Gerät ist gemäß der Europäischen Richtlinie 2012/19/EU über Elektro- und Elektronik-Altgeräte (WEEE) gekennzeichnet.

Dieses Symbol weist darauf hin, dass dieses Produkt kein normaler Haushaltsabfall ist, sondern in einer entsprechenden Sammelstelle für Elektro- und Elektronik-Altgeräte entsorgt werden muss.

REMARQUE

Toutes les instructions, garanties et autres documents de garantie sont sujets à la seule discrétion de Horizon Hobby, LLC. Veuillez, pour une littérature produits bien à jour, visiter www.horizonhobby.com ou www.towerhobbies.com et cliquer sur l'onglet de support de ce produit.

SIGNIFICATION DE CERTAINS TERMES SPÉCIFIQUES

Les termes suivants sont utilisés dans l'ensemble du manuel pour indiquer différents niveaux de danger lors de l'utilisation de ce produit :

AVERTISSEMENT : Procédures qui, si elles ne sont pas suivies correctement, peuvent entraîner des dégâts matériels et des blessures graves OU engendrer une probabilité élevée de blessure superficielle.

ATTENTION : Procédures qui, si elles ne sont pas suivies correctement, peuvent entraîner des dégâts matériels ET des blessures graves.

REMARQUE : Procédures qui, si elles ne sont pas suivies correctement, peuvent entraîner des dégâts matériels ET éventuellement un faible risque de blessures.



AVERTISSEMENT : Lisez la TOTALITÉ du manuel d'utilisation afin de vous familiariser avec les caractéristiques du produit avant de le faire fonctionner. Une utilisation incorrecte du produit peut entraîner sa détérioration, ainsi que des risques de dégâts matériels, voire de blessures graves.

Ceci est un produit de loisirs sophistiqué. Il doit être manipulé avec prudence et bon sens et requiert des aptitudes de base en mécanique. Toute utilisation irresponsable de ce produit ne respectant pas les principes de sécurité peut provoquer des blessures, entraîner des dégâts matériels et endommager le produit. Ce produit n'est pas destiné à être utilisé par des enfants sans la surveillance directe d'un adulte. N'essayez pas de démonter le produit, de l'utiliser avec des composants incompatibles ou d'en améliorer les performances sans l'accord d'Horizon Hobby, LLC. Ce manuel comporte des instructions relatives à la sécurité, au fonctionnement et à l'entretien. Il est capital de lire et de respecter la totalité des instructions et avertissements du manuel avant l'assemblage, le réglage et l'utilisation, ceci afin de manipuler correctement l'appareil et d'éviter tout dégât matériel ou toute blessure grave.

14 ans et plus. Ceci n'est pas un jouet.

PRÉCAUTIONS ET AVERTISSEMENTS LIÉS À LA SÉCURITÉ

En tant qu'utilisateur de ce produit, il est de votre seule responsabilité de le faire fonctionner d'une manière qui ne mette en danger ni votre personne, ni de tiers et qui ne provoque pas de dégâts au produit lui-même ou à la propriété d'autrui.

Ce modèle est contrôlé par un signal radio, qui peut être soumis à des interférences provenant de nombreuses sources hors de votre contrôle. Ces interférences peuvent provoquer une perte momentanée de contrôle. Il est donc conseillé de garder une bonne distance de sécurité tout autour de votre modèle, ce qui aidera à éviter les collisions ou les blessures.

- Ne faites jamais fonctionner votre modèle lorsque les piles de l'émetteur sont faibles.
- Faites toujours fonctionner votre modèle dans une zone dégagée, à l'écart des voitures, de la circulation ou de personnes.
- Ne faites jamais et pour quelque raison que ce soit fonctionner votre modèle dans la rue ou dans des zones habitées.
- Respectez scrupuleusement les instructions et avertissements à cet effet ainsi que pour tous les équipements optionnels/complémentaires (chargeurs, packs de batteries rechargeables, etc.) que vous utilisez.
- Tenez tous les produits chimiques, les petites pièces et les composants électroniques hors de portée des enfants.
- Ne léchez ni ne mettez jamais en bouche quelque partie de votre modèle que ce soit, afin d'éviter tout risque de blessures graves, voire danger de mort.
- Faites bien attention lors de l'utilisation d'outils et lors de l'utilisation d'instruments coupants.
- Faites bien attention lors du montage, certaines pièces peuvent avoir des bords coupants.
- Après avoir utilisé votre modèle, NE touchez PAS à certaines de ces pièces telles que le moteur, le contrôleur électronique de vitesse et la batterie, car elles peuvent encore se trouver à des températures élevées. Vous risquez de vous brûler gravement en cas de contact avec elles.
- Ne mettez ni vos doigts ni aucun autre objet entre des pièces en rotation ou en mouvement, vous risqueriez des dommages ou des blessures graves.
- Allumez toujours votre émetteur avant d'allumer le récepteur du véhicule. Éteignez toujours le récepteur avant d'éteindre votre émetteur.
- Veillez à ce que les roues du modèle ne soient pas en contact avec le sol lorsque vous contrôlez le fonctionnement de votre équipement radio.

TABLE DES MATIÈRES

Véhicule étanche avec composants électroniques étanches.....	28	Testez les commandes	34
Contenu de la boîte.....	29	Après la conduite	35
Avertissements relatifs à la charge USB.....	30	Affectation de l'émetteur et du récepteur.....	35
Chargez la batterie du véhicule	30	Guide de dépannage.....	36
Disposition de l'émetteur.....	31	Liste des pièces.....	36
Installation des piles de l'émetteur.....	32	Garantie et réparations.....	37
Retirez la carrosserie du véhicule.....	32	Informations de contact pour garantie et réparation	38
Installez la batterie du véhicule.....	33	Information IC.....	38
Mettez l'émetteur en marche	33	Informations de conformité pour l'Union européenne.....	38
Mettez l'véhicule en marche.....	34	Vues éclatée.....	51

VÉHICULE ÉTANCHE AVEC COMPOSANTS ÉLECTRONIQUES ÉTANCHES

Votre nouveau véhicule Horizon Hobby a été conçu et fabriqué en combinant des composants étanches et des composants résistants à l'eau vous permettant d'utiliser ce produit dans plusieurs "Conditions Humides" incluant les flaques d'eau, les ruisseaux, l'herbe humide, la neige et même la pluie.

Bien que le véhicule possède une grande résistance vis-à-vis de l'eau, il n'est pas entièrement étanche et votre véhicule ne doit PAS être utilisé comme un sous-marin. Les différents composants électroniques installés sur le véhicule, comme le contrôleur de vitesse électronique (ESC), le ou les servo(s) et le récepteur sont étanches, cependant la plupart des composants mécaniques résistent aux projections d'eau mais ne doivent pas être immergés.

Les pièces métalliques comme les roulements, les axes de suspension, les vis et les écrous ainsi que les contacts des prises des câbles électriques sont exposés à l'oxydation si vous n'effectuez un entretien supplémentaire après avoir utilisé le produit dans des conditions humides. Pour conserver à long terme les performances de votre véhicule et conserver la garantie, les procédures décrites dans la section « Maintenance en conditions humides » doivent être régulièrement effectuées si vous roulez dans des conditions humides. Si vous ne souhaitez pas effectuer la maintenance supplémentaire requise, vous ne devez pas utiliser le véhicule dans ces conditions.



ATTENTION : Un défaut de soin durant l'utilisation et un non-respect des consignes suivantes peut entraîner un dysfonctionnement du produit et/ou annuler la garantie.

PRÉCAUTIONS GÉNÉRALES

- Lisez avec attention les procédures de maintenance en conditions humides et vérifiez que vous possédez tous les outils nécessaires pour effectuer la maintenance du véhicule.
- Toutes les batteries ne peuvent être utilisées en conditions humides. Consultez la documentation du fabricant de votre batterie avant utilisation. Des précautions doivent être appliquées quand vous utilisez des batteries Li-Po en conditions humides.
- La majorité des émetteurs ne résiste pas aux projections d'eau. Consultez le manuel ou le fabricant de votre émetteur avant utilisation.
- N'utilisez jamais votre émetteur ou votre véhicule sous un orage.
- N'utilisez JAMAIS votre véhicule où il pourrait entrer en contact avec de l'eau salée (Eau de mer ou flaque d'eau sur une route salée), ou de l'eau polluée ou contaminée.
- Une petite quantité d'eau peut réduire la durée de vie du moteur s'il n'est pas certifié étanche ou résistant aux projections d'eau. Si le moteur devient excessivement humide, appliquez légèrement les gaz pour évacuer le maximum d'eau du moteur. Faire tourner à un régime élevé un moteur humide causerait son endommagement rapide.
- L'utilisation en conditions humides peut réduire la durée de vie du moteur. La résistance de l'eau cause des efforts plus importants. Adaptez le rapport de transmission en utilisant un pignon plus petit ou une couronne plus grande. Cela augmentera le couple (et la durée de vie du moteur) quand vous roulez dans la boue, dans les flaques profondes ou n'importe quelle autre condition humide, cela augmente la charge appliquée au moteur.

MAINTENANCE EN CONDITIONS HUMIDES

- Evacuez l'eau collectée par les pneus en les faisant tourner à haute vitesse. Retirez la carrosserie, retournez le véhicule et donnez des courts coups d'accélérateur plein gaz jusqu'à ce que l'eau soit retirée.



ATTENTION: Tenez toujours éloigné des parties en rotation, les mains, les doigts, les outils ou autre objet lâches/pendants.

- Retirez la batterie et séchez ses contacts. Si vous possédez un compresseur d'air ou une bombe d'air comprimé, chassez toute l'humidité qui se trouve dans la prise.
- Retirez les roues du véhicule et rincez-les à l'aide d'un arrosoir pour retirer la boue et la poussière. Evitez de rincer les roulements et la transmission.

REMARQUE : N'utilisez jamais un nettoyeur haute-pressure pour nettoyer le véhicule.

- Utilisez un compresseur d'air ou une bombe d'air comprimée pour sécher le véhicule et vous aider à retirer l'eau logée dans les renforcements et les recoins.
- Vaporisez du lubrifiant ou de l'anti-humidité sur les roulements, les vis ou autres pièces métalliques. Ne pas en vaporiser sur le moteur.
- Laissez le véhicule sécher avant de le stocker. L'eau (et l'huile) peuvent continuer à s'écouler durant quelques heures.
- Augmentez la fréquence d'inspection, de démontage et de lubrification des éléments suivants:
 - Les axes de roues et roulements des fusées avant et arrière.
 - Tous les boîtiers de transmissions, pignons et différentiels.
 - Le moteur—nettoyez-le à l'aide d'un aérosol de nettoyage moteur et lubrifiez les paliers à l'aide de lubrifiant pour roulements.

CONTENU DE LA BOÎTE

COMPOSANTS INCLUS	
Véhicule	SCX Jeep Gladiator 1/24th Scale RTR (AXI00005V2)
Émetteur	SLT-2 2,4 GHz 2 canaux (SPMRSLSL200)
Chargeur	Spektrum Chargeur USB-C 2S JST-XH (SPMXC0030)
Batterie du véhicule	Spektrum 7,4 V, 350 mAh, 2S Li-Po PH (SPMX3502S30)
Moteur	SCX24 030 - Moteur avec pignon (DYSN1217)
Variateur ESC/récepteur	ESC/Rx avec marche avant et arrière (SPMXSE2425RX)
Servo	AS-1 Micro Servo (AXI31619)
Batteries de l'émetteur	(4) piles alcalines AA

CARACTÉRISTIQUES	
Longueur	250.5mm
Largeur	122.6mm
La Taille	106.9mm
Poids opérationnel	269.6g

AVERTISSEMENTS RELATIFS À LA CHARGE USB



AVERTISSEMENT : Le manque de prudence lors de l'utilisation de ce produit et le défaut de se conformer aux avertissements suivants peut entraîner un dysfonctionnement du produit, des problèmes électriques, une chaleur excessive, un INCENDIE et, pour finir, des dommages corporels et matériels.

- **NE LAISSEZ JAMAIS DES BATTERIES EN COURS DE CHARGE SANS SURVEILLANCE.**
- **NE CHARGEZ JAMAIS DES BATTERIES TOUTE UNE NUIT.**
- Ne tentez jamais de charger des packs de batteries mortes, endommagées ou mouillées.
- Ne tentez jamais de charger un pack de batteries contenant différents types de batteries.
- Ne laissez jamais des enfants de moins de 14 ans charger les packs de batteries.
- Ne chargez jamais les batteries dans des endroits extrêmement chauds ou froids et ne les exposez pas à la lumière directe du soleil.
- Ne chargez jamais une batterie si le câble est pincé ou court-circuité.
- Ne branchez jamais le chargeur si le câble d'alimentation a été pincé ou court-circuité.
- Ne tentez jamais de démonter le chargeur ou d'utiliser un chargeur endommagé.
- Utilisez toujours uniquement des batteries rechargeables conçues pour l'utilisation avec ce type de chargeur.
- Inspectez toujours la batterie avant le chargement.
- Maintenez toujours la batterie à l'écart des matériaux pouvant être affectés par la chaleur.
- Surveillez toujours la zone de chargement et gardez toujours un extincteur disponible.
- Stoppez toujours le processus de chargement si la batterie devient chaude au toucher ou commence à se déformer (gonflement).

- Branchez toujours les câbles positifs (+) et négatifs (-) correctement.
- Débranchez toujours la batterie après le chargement et laissez le chargeur refroidir entre les charges.
- Chargez toujours dans une zone bien aérée.
- Interrompez toujours tous les processus et contactez Horizon Hobby si le produit fonctionne mal.
- Chargez uniquement les batteries rechargeables. Si vous chargez des batteries non rechargeables, celles-ci pourraient exploser et provoquer des dommages corporels et/ou matériels.
- La prise USB sera installée près de l'équipement et sera facilement accessible.



ATTENTION : Assurez-vous toujours que la batterie chargée est conforme aux spécifications de ce chargeur. Au cas contraire, cela peut occasionner une chaleur excessive et d'autres mauvais fonctionnements associés du produit, ce qui peut causer des dommages corporels ou matériels pour l'utilisateur. Veuillez contacter Horizon Hobby ou un revendeur autorisé pour les questions de compatibilité.



ATTENTION : Si, à n'importe quel moment au cours de la charge, le pack de batterie devient chaud ou commence à gonfler, débranchez la batterie immédiatement et arrêtez le processus de chargement, car les batteries peuvent provoquer un incendie, des dommages collatéraux et des blessures.

CHARGEZ LA BATTERIE DU VÉHICULE

1. Branchez le chargeur à un port d'alimentation USB adapté. Le chargeur fonctionne avec la plupart des sources d'alimentation mobiles 5 V ou chargeurs de smartphones, avec une puissance de sortie minimale d'un ampère.

REMARQUE : charger la batterie depuis un port d'alimentation USB avec une puissance de sortie inférieure à 1 ampère peut produire de la chaleur.

2. Branchez le câble du chargeur à la batterie, tenez compte de la polarité adéquate. Il faut environ 45 à 60 minutes pour charger une batterie entièrement vide. Les temps de charge peuvent varier en fonction de la source d'alimentation.
3. Débranchez la batterie du chargeur une fois le cycle de charge terminé.
4. Débranchez le chargeur de sa source d'alimentation.



ATTENTION : Une fois la charge terminée, débranchez immédiatement la batterie. Ne laissez jamais une batterie branchée au chargeur.

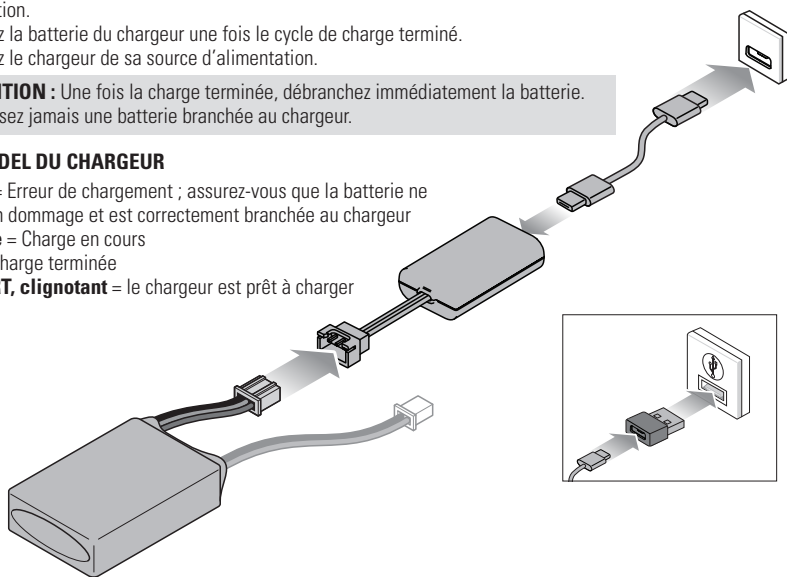
INDICATIONS DEL DU CHARGEUR

ROUGE, fixe = Erreur de chargement ; assurez-vous que la batterie ne présente aucun dommage et est correctement branchée au chargeur

ORANGE, fixe = Charge en cours

VERT, fixe = Charge terminée

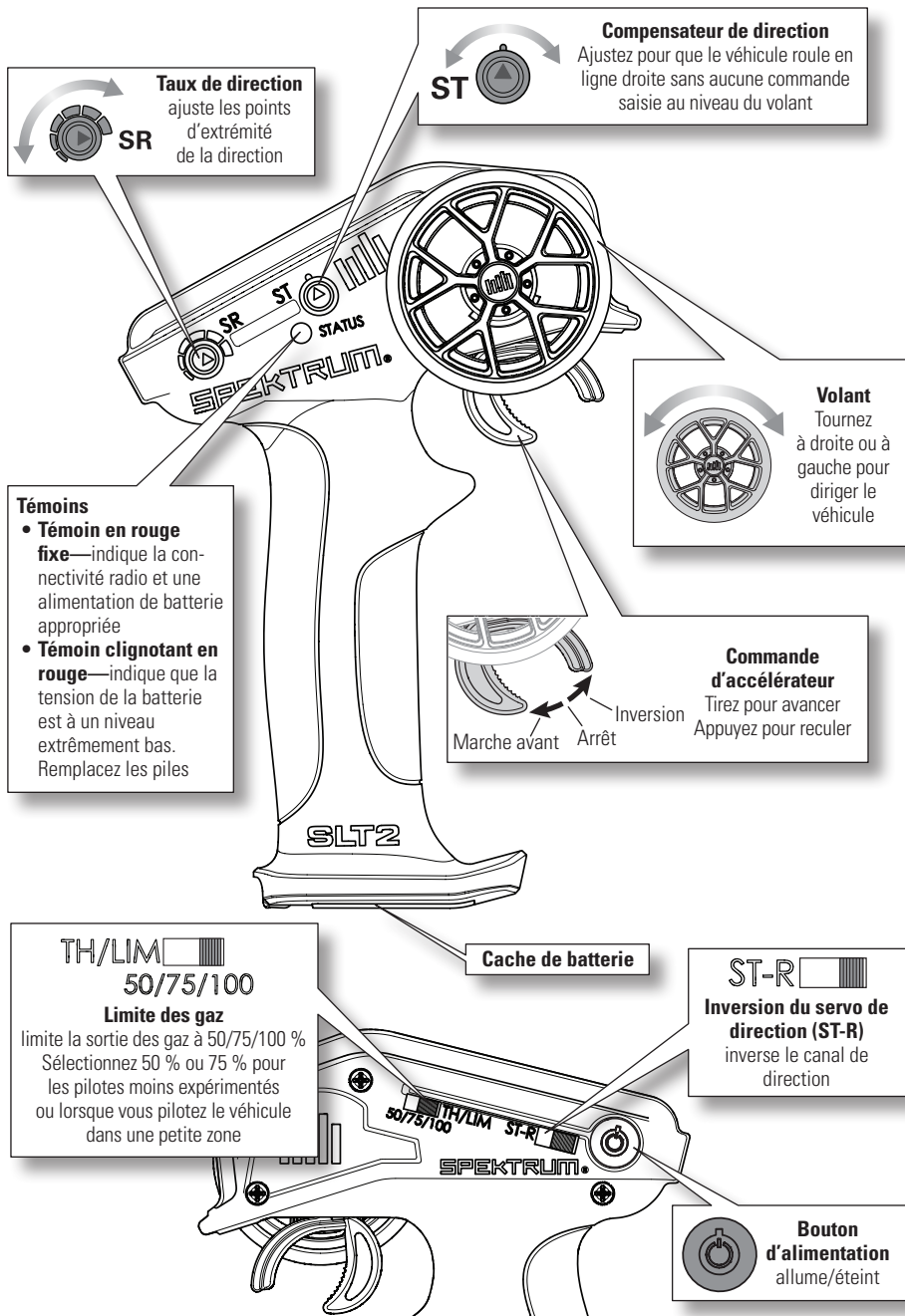
ORANGE/VERT, clignotant = le chargeur est prêt à charger



DISPOSITION DE L'ÉMETTEUR

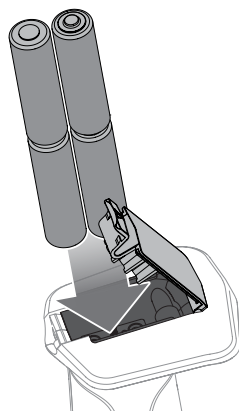
Utilisez le schéma ci-dessous pour vous familiariser avec les différentes pièces de votre émetteur.

L'antenne de l'émetteur est montée en interne et elle est située dans la partie avant de l'émetteur. Lorsque vous conduisez votre modèle, maintenez l'émetteur pour qu'il soit orienté aussi verticalement que possible. N'essayez pas de suivre votre modèle avec l'émetteur. Cela fournit le meilleur signal RF entre l'émetteur et le récepteur. Ne couvrez pas l'avant de l'émetteur durant l'utilisation, car cela bloquera le signal RF, en provoquant une perte de contrôle.



INSTALLATION DES PILES DE L'ÉMETTEUR

1. Appuyez sur le verrou du compartiment de batterie et faites tourner le cache de batterie pour l'ouvrir.
2. Installez 4 piles alcalines AA, en vérifiant si la polarité est correcte.
3. Fermez le cache de batterie jusqu'à ce qu'il se verrouille.

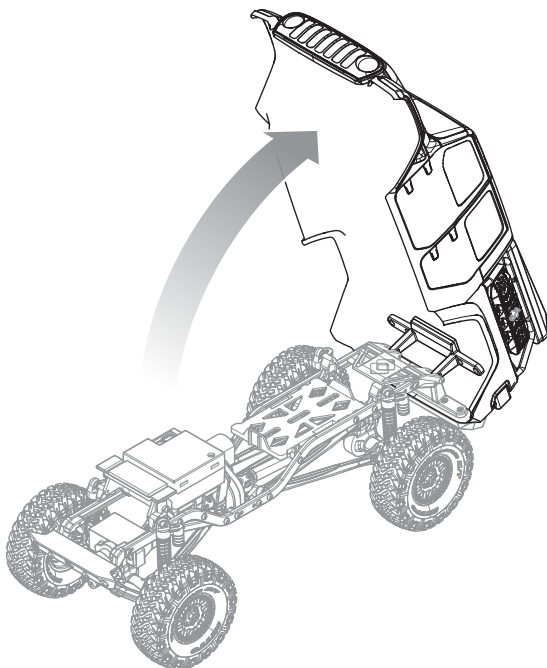


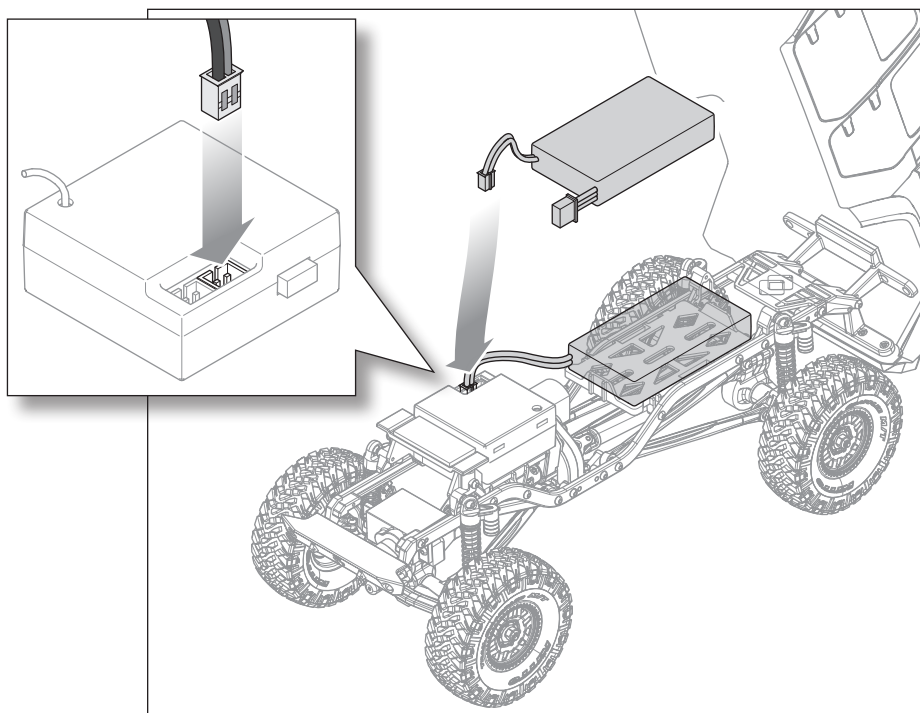
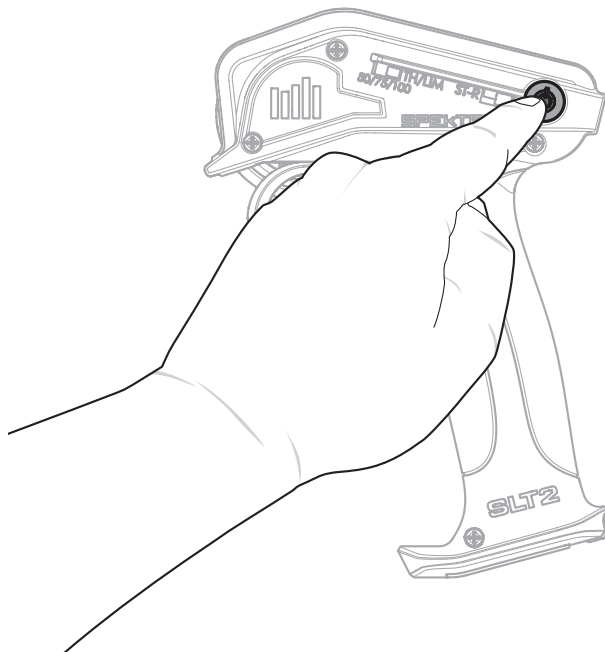
⚠ ATTENTION : N'enlevez JAMAIS les batteries de l'émetteur lorsque le véhicule est allumé. Cela peut provoquer la perte de la commande du véhicule et des dommages corporels ou matériels.

⚠ ATTENTION : Si vous utilisez des batteries rechargeables, ne chargez que des batteries rechargeables. Si vous chargez des batteries non rechargeables, celles-ci pourraient exploser et provoquer des dommages corporels ou matériels.

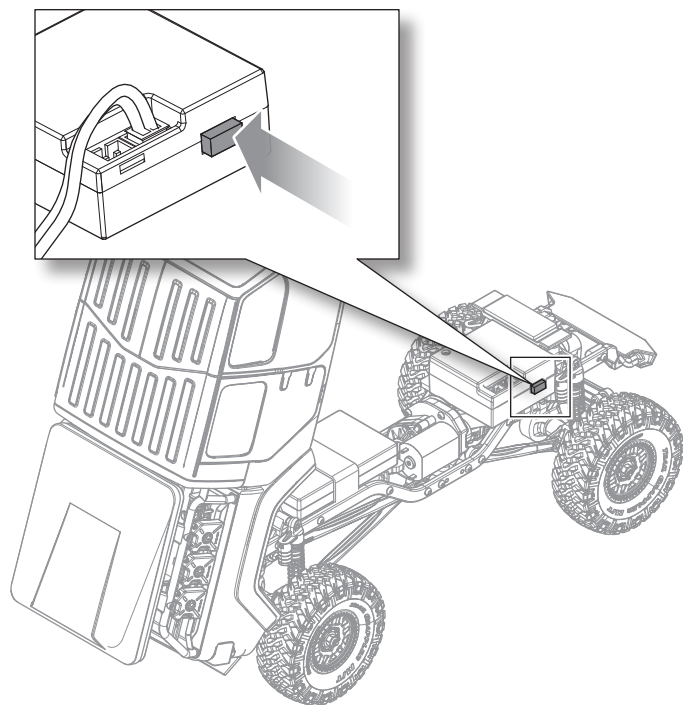
⚠ ATTENTION : Risque d'explosion si la pile est remplacée par une mauvaise pile. Mettez les batteries usagées au rebut conformément à la réglementation nationale et locale.

RETIREZ LA CARROSSERIE DU VÉHICULE



INSTALLEZ LA BATTERIE DU VÉHICULE**METTEZ L'ÉMETTEUR EN MARCHÉ**

METTEZ L'VEHICULE EN MARCHÉ

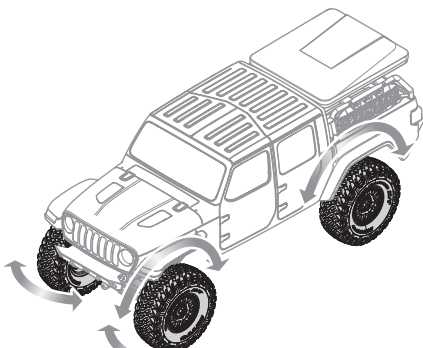
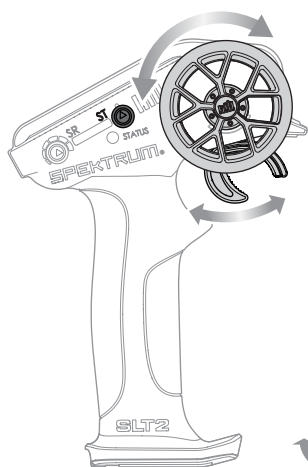


TESTEZ LES COMMANDES

Sans contact des roues du véhicule avec le sol, testez les commandes des gaz et de direction. Assurez-vous que les roues tournent dans la bonne direction et que les roues avant tournent dans la bonne direction avec la saisie de direction.

Après avoir vérifié si la direction des commandes est correcte, commencez à rouler lentement. Si le véhicule ne roule pas droit sans saisie de direction, ajustez le bouton du compensateur de direction sur l'émetteur jusqu'à ce que le véhicule roule en ligne droite sans saisie de direction.

AMUSEZ-VOUS en conduisant votre véhicule !



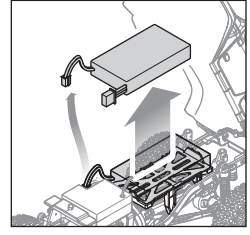
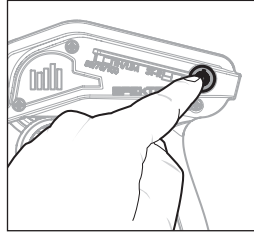
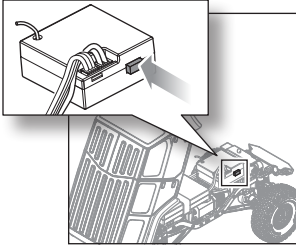
APRÈS LA CONDUITE

Lorsque vous avez fini de conduire votre véhicule :

1. Éteignez le véhicule.

2. Éteignez l'émetteur.

3. Retirez la batterie du véhicule et chargez-la si nécessaire.



AFFECTATION DE L'ÉMETTEUR ET DU RÉCEPTEUR

L'affectation est le processus de programmation du récepteur afin de reconnaître un signal d'émetteur spécifique, en empêchant ainsi l'interférence d'autres émetteurs. L'émetteur et le récepteur inclus avec votre véhicule sont affectés à l'usine. Si vous devez les réaffecter, suivez les instructions ci-dessous.

REMARQUE : N'essayez pas d'affecter l'émetteur et le récepteur si d'autres émetteurs compatibles sont en mode bind (affectation) à moins de 120 m (400 pieds) environ. Cette action pourrait entraîner une affectation imprévue au mauvais émetteur et une perte de contrôle de votre véhicule.

Avant de démarrer la procédure d'affectation, assurez-vous que les servos et le moteur sont connectés aux bons ports sur le récepteur, et que des batteries chargées ont été installées dans l'émetteur.

1. Branchez la prise d'affectation dans le récepteur.
2. Mettez le récepteur sous tension. La DEL du récepteur clignotera rapidement.
3. Allumez l'émetteur. La DEL de l'émetteur clignotera.
4. Lorsque la DEL brille d'une lumière fixe, l'affectation est terminée.

La DEL du récepteur brillera d'une lumière fixe lorsque l'émetteur et le récepteur sont allumés. Si la DEL du récepteur clignote rapidement ou n'est pas allumée, l'émetteur et le récepteur ne sont pas affectés. Éteignez l'émetteur et le récepteur et répétez la procédure d'affectation.

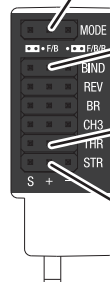
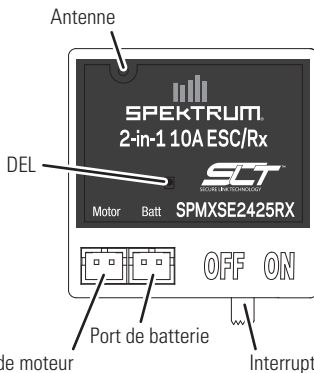
SCHÉMA DE CÂBLAGE DU RÉCEPTEUR ET DU VARIATEUR ESC

Mode (cavalier)

Avant/Arrière, sans frein. Recommandé pour les crawlers.



Avant/Frein/Arrière. Non recommandé pour les crawlers.



GUIDE DE DÉPANNAGE

PROBLÈME	CAUSE POSSIBLE	SOLUTION
Le véhicule ne bouge pas	Les piles ne sont pas installées correctement dans l'émetteur	Assurez-vous que les batteries de l'émetteur sont correctement installées
	Batterie faible ou absente dans le véhicule	Installez une batterie venant d'être chargée dans le véhicule
	Moteur endommagé	Remplacez le moteur
	Câblage effiloché ou cassé	Remplacez tout fil endommagé
Perte de contrôle du véhicule	Le variateur ESC est éteint par le circuit de protection contre la surchauffe	Laissez le variateur ESC refroidir complètement
	Mauvais placement de l'antenne	Assurez-vous que l'antenne de l'émetteur n'est pas bloquée et que l'antenne du récepteur est bien placée
	Batteries faibles ou absentes dans l'émetteur ou le véhicule	Installez une batterie venant d'être chargée dans le véhicule et des piles neuves dans l'émetteur
	Mauvaise position neutre ou de compensateur	Ajustez le compensateur de direction
La fonction de direction et/ou des gaz est inversée	Mauvaise connexion du récepteur et/ou de la batterie	Vérifiez toutes les connexions du récepteur et de la batterie
	La course du servo est inversée au niveau de l'émetteur	Mettez le commutateur d'inversion de servo de l'émetteur à la bonne position
	Les câbles du moteur sont mal connectés	Vérifiez si tous les câbles du moteur sont bien connectés et sont à la bonne polarité

LISTE DES PIÈCES

AXI200005	Carrosserie Jeep JT Gladiator SCX24, transparente	AXI31609	Essieu avant SCX24 (assemblé)
AXI200006	Pare-chocs arrière et charnière	AXI31610	Essieu arrière SCX24 (assemblé)
AXI200007	Ensemble cage	AXI31611	Ensemble d'arbre de transmission SCX24 (S, M et L)
AXI200008	Pack d'accessoires terrestres	AXI31619	Micro servo AS-1
AXI201001	Pare-chocs avant	AXI40004	Pneus Nitto Trail Grappler 2.0 M/T (4)
AXI201003	Châssis, empattement XL 153,7mm	AXI40005	Roues Machete 1.0 KMC, satinées (4)
AXI202000	Ensemble d'arbre de transmission, court et XL	AXIC1147	Contre-écrou en nylon AX31147 2 mm (10)
AXI203002	Ensemble d'amortisseurs à huile	SPMRSLT300	Émetteur SLT 2,4 GHz 3 canaux SLT3 uniquement
AXI203003	Ensemble ressort	SPMX3502S30	Batterie Li-Po, 7,4 V, 350 mAh, 2S, 30C : PH 2.0 (2)
AXI204001	Liaisons de suspension, empattement XL 153,7 mm	SPMXC0030	Chargeur 2S USB-C PH2.54 JST-XH
AXI204002	Ensemble d'amortisseurs arrière, 4 ressorts	SPMXSE2425RX	Ensemble récepteur SLT et ESC 10 A à balais 2 en 1
AXI31608	Transmission SCX24 (assemblée)		

PIÈCES EN OPTION

AXI302001	Cache différentiel en laiton	DYNH2027	Jeu de vis en acier inoxydable
AXI302002	Moyeux hexagonaux en laiton (2)	DYNT0503	Jeu d'outils de démarrage : Axial 1/24
AXI302003	Rotules en laiton (D/G)	SPMXC1050	Chargeur Smart Spektrum™ S1500 DC-C, 1 x 500 W
AXI302004	Contrepoids en laiton (4)	SPMXC2050	Chargeur Smart CA 1 x 55 W G2 S155
AXI302005	Support du servo en laiton	SPMXCA309	Adaptateur : Batterie IC3 / Dispositif JST-PH 2.0
AXI302006	Montage du bras supérieur arrière en laiton		

GARANTIE ET RÉPARATIONS

Durée de la garantie

Garantie exclusive - Horizon Hobby, LLC (Horizon) garantit que le Produit acheté (le « Produit ») sera exempt de défauts matériels et de fabrication à sa date d'achat par l'Acheteur. La durée de garantie correspond aux dispositions légales du pays dans lequel le produit a été acquis. La durée de garantie est de 6 mois et la durée d'obligation de garantie de 18 mois à l'expiration de la période de garantie.

Limitations de la garantie

- (a) La garantie est donnée à l'acheteur initial (« Acheteur ») et n'est pas transférable. Le recours de l'acheteur consiste en la réparation ou en l'échange dans le cadre de cette garantie. La garantie s'applique uniquement aux produits achetés chez un revendeur Horizon agréé. Les ventes faites à des tiers ne sont pas couvertes par cette garantie. Les revendications en garantie seront acceptées sur fourniture d'une preuve d'achat valide uniquement. Horizon se réserve le droit de modifier les dispositions de la présente garantie sans avis préalable et révoque alors les dispositions de garantie existantes.
- (b) Horizon n'endosse aucune garantie quant à la vendabilité du produit ou aux capacités et à la forme physique de l'utilisateur pour une utilisation donnée du produit. Il est de la seule responsabilité de l'acheteur de vérifier si le produit correspond à ses capacités et à l'utilisation prévue.
- (c) Recours de l'acheteur – Il est de la seule discrétion d'Horizon de déterminer si un produit présentant un cas de garantie sera réparé ou échangé. Ce sont là les recours exclusifs de l'acheteur lorsqu'un défaut est constaté.

Horizon se réserve la possibilité de vérifier tous les éléments utilisés et susceptibles d'être intégrés dans le cas de garantie. La décision de réparer ou de remplacer le produit est du seul ressort d'Horizon. La garantie exclut les défauts esthétiques ou les défauts provoqués par des cas de force majeure, une manipulation incorrecte du produit, une utilisation incorrecte ou commerciale de ce dernier ou encore des modifications de quelque nature qu'elles soient. La garantie ne couvre pas les dégâts résultant d'un montage ou d'une manipulation erronés, d'accidents ou encore du fonctionnement ainsi que des tentatives d'entretien ou de réparation non effectuées par Horizon. Les retours effectués par le fait de l'acheteur directement à Horizon ou à l'une de ses représentations nationales requièrent une confirmation écrite.

Limitation des dommages

Horizon ne saurait être tenu pour responsable de dommages conséquents directs ou indirects, de pertes de revenus ou de pertes commerciales, liés de quelque manière que ce soit au produit et ce, indépendamment du fait qu'un recours puisse être formulé en relation avec un contrat, la garantie ou l'obligation de garantie. Par ailleurs, Horizon n'acceptera pas de recours issus d'un cas de garantie lorsque ces recours dépassent la valeur unitaire du produit. Horizon n'exerce aucune influence sur le montage, l'utilisation ou la maintenance du produit ou sur d'éventuelles combinaisons de produits choisies par l'acheteur. Horizon ne prend en compte aucune garantie et n'accepte aucun recours pour les blessures ou les dommages pouvant en résulter. Horizon Hobby ne saurait

être tenu responsable d'une utilisation ne respectant pas les lois, les règles ou réglementations en vigueur.

En utilisant et en montant le produit, l'acheteur accepte sans restriction ni réserve toutes les dispositions relatives à la garantie figurant dans le présent document. Si vous n'êtes pas prêt, en tant qu'acheteur, à accepter ces dispositions en relation avec l'utilisation du produit, nous vous demandons de restituer au vendeur le produit complet, non utilisé et dans son emballage d'origine.

Indications relatives à la sécurité

Ceci est un produit de loisirs perfectionné et non un jouet. Il doit être utilisé avec précaution et bon sens et nécessite quelques aptitudes mécaniques ainsi que mentales. L'incapacité à utiliser le produit de manière sûre et raisonnable peut provoquer des blessures et des dégâts matériels conséquents. Ce produit n'est pas destiné à être utilisé par des enfants sans la surveillance par un tuteur. La notice d'utilisation contient des indications relatives à la sécurité ainsi que des indications concernant la maintenance et le fonctionnement du produit. Il est absolument indispensable de lire et de comprendre ces indications avant la première mise en service. C'est uniquement ainsi qu'il sera possible d'éviter une manipulation erronée et des accidents entraînant des blessures et des dégâts. Horizon Hobby ne saurait être tenu responsable d'une utilisation ne respectant pas les lois, les règles ou réglementations en vigueur.

Questions, assistance et réparations

Votre revendeur spécialisé local et le point de vente ne peuvent effectuer une estimation d'éligibilité à l'application de la garantie sans avoir consulté Horizon. Cela vaut également pour les réparations sous garantie. Vous voudrez bien, dans un tel cas, contacter le revendeur qui conviendra avec Horizon d'une décision appropriée, destinée à vous aider le plus rapidement possible.

Maintenance et réparation

Si votre produit doit faire l'objet d'une maintenance ou d'une réparation, adressez-vous soit à votre revendeur spécialisé, soit directement à Horizon. Emballez le produit soigneusement. Veuillez noter que le carton d'emballage d'origine ne suffit pas, en règle générale, à protéger le produit des dégâts pouvant survenir pendant le transport. Faites appel à un service de messagerie proposant une fonction de suivi et une assurance, puisque Horizon ne prend aucune responsabilité pour l'expédition du produit jusqu'à sa réception acceptée. Veuillez joindre une preuve d'achat, une description détaillée des défauts ainsi qu'une liste de tous les éléments distincts envoyés. Nous avons de plus besoin d'une adresse complète, d'un numéro de téléphone (pour demander des renseignements) et d'une adresse de courriel.

Garantie et réparations

Les demandes en garantie seront uniquement traitées en présence d'une preuve d'achat originale émanant d'un revendeur spécialisé agréé, sur laquelle figurent le nom de l'acheteur ainsi que la date d'achat. Si le cas de garantie est confirmé, le produit sera réparé. Cette décision relève uniquement d'Horizon Hobby.

Réparations payantes

En cas de réparation payante, nous établissons un devis que nous transmettons à votre revendeur. La réparation sera seulement effectuée après que nous ayons reçu la confirmation du revendeur. Le prix de la réparation devra être acquitté au revendeur. Pour les réparations payantes, nous facturons au minimum 30 minutes de travail en atelier ainsi que les frais de réexpédition. En l'absence d'un accord pour la réparation dans un délai de 90 jours, nous nous réservons la possibilité de détruire le produit ou de l'utiliser autrement.

ATTENTION: Nous n'effectuons de réparations payantes que pour les composants électroniques et les moteurs. Les réparations touchant à la mécanique, en particulier celles des hélicoptères et des voitures radiocommandées, sont extrêmement coûteuses et doivent par conséquent être effectuées par l'acheteur lui-même.

10/15

INFORMATIONS DE CONTACT POUR GARANTIE ET RÉPARATION

Pays d'achat	Horizon Hobby	Numéro de téléphone/E-mail	Adresse
Union européenne	Horizon Technischer Service Sales: Horizon Hobby GmbH	service@horizonhobby.eu +49 (0) 4121 2655 100	Hanskampring 9 D 22885 Barsbüttel, Germany

INFORMATION IC**IC: 25584-N4ZG4P00****IC: 25584-N4ZR4P00****CAN ICES-3 (B)/NMB-3(B)**

Ce dispositif contient un/des émetteur(s)/récepteur(s) non soumis à licence conforme(s) aux CNR d'Innovation, Sciences et Développement économique Canada. Son utilisation est soumise aux deux conditions suivantes :

1. Cet appareil ne doit pas causer d'interférences.
2. Cet appareil doit accepter toutes les interférences, y compris celles pouvant entraîner un dysfonctionnement.

INFORMATIONS DE CONFORMITÉ POUR L'UNION EUROPÉENNE**EU Compliance Statement:****Axial Jeep Gladiator 1/24th Scale****4WD RTR (AXI00005V2T3/T4/T5);** Par la présente, Horizon Hobby, LLC déclare que cet

appareil est conforme aux directives suivantes : Directive basse tension 2014/35/UE ; Directive CEM 2014/30/UE ; Directive relative aux équipements radioélectriques 2014/53/UE ; Directive RoHS 2 2011/65/UE ; Directive RoHS 3 - Modifiant 2011/65/UE Annexe II 2015/863. Le texte complet de la déclaration de conformité UE est disponible à l'adresse Internet suivante : <https://www.horizonhobby.com/content/support-render-compliance>.

REMARQUE: Ce produit contient des batteries couvertes par la directive européenne 2006/66 / EC, qui ne peuvent pas être jetées avec les déchets ménagers. Veuillez respecter les réglementations locales.

Gamme de fréquences sans fil / Puissance de sortie sans fil**Émetteur**

2405-2450MHz

15.26dBm

Fabricant officiel de l'UE :

Horizon Hobby, LLC
2904 Research Road
Champaign, IL 61822 USA

Importateur officiel de l'UE :

Horizon Hobby, GmbH
Hanskampring 9
22885 Barsbüttel Germany

DIRECTIVE DEEE :

L'étiquette de cet appareil respecte la directive européenne 2012/19/UE en matière de déchets des équipements électriques et électroniques (DEEE). Cette étiquette indique que ce produit ne doit pas être jeté avec les déchets ménagers, mais déposé dans une installation appropriée afin de permettre sa récupération et son recyclage.

AVVISO

Tutte le istruzioni, le garanzie e gli altri documenti pertinenti sono soggetti a cambiamenti a totale discrezione di Horizon Hobby, LLC. Per una documentazione aggiornata sul prodotto, visitare il sito horizonhobby.com o towerhobbies.com e fare clic sulla sezione Support del prodotto.

CONVENZIONI TERMINOLOGICHE

Nella documentazione relativa al prodotto vengono utilizzati i seguenti termini per indicare i vari livelli di pericolo potenziale durante l'uso del prodotto:

AVVERTENZA: Indica procedure che, se non debitamente seguite, determinano il rischio di danni alle cose, danni collaterali e gravi lesioni alle persone O il rischio elevato di lesioni superficiali alle persone.

ATTENZIONE: Indica procedure che, se non debitamente seguite, determinano il rischio di danni alle cose E di gravi lesioni alle persone.

AVVISO: Indica procedure che, se non debitamente seguite, possono determinare il rischio di danni alle cose E il rischio minimo o nullo di lesioni alle persone.



AVVERTENZA: leggere TUTTO il manuale di istruzioni e familiarizzare con le caratteristiche del prodotto prima di farlo funzionare. Un uso improprio del prodotto può causare danni al prodotto stesso e alle altre cose e gravi lesioni alle persone.

Questo modello è un prodotto sofisticato per appassionati di modellismo. Deve essere azionato in maniera attenta e responsabile e richiede alcune conoscenze basilari di meccanica. L'uso improprio o irresponsabile di questo prodotto può causare lesioni alle persone e danni al prodotto stesso o alle altre cose. Questo prodotto non deve essere utilizzato dai bambini senza la diretta supervisione di un adulto. Non tentare di smontare, utilizzare componenti incompatibili o modificare il prodotto in nessun caso senza previa approvazione di horizon hobby, llc. Questo manuale contiene le istruzioni per la sicurezza, l'uso e la manutenzione del prodotto. È fondamentale leggere e seguire tutte le istruzioni e le avvertenze del manuale prima di montare, impostare o utilizzare il prodotto, al fine di utilizzarlo correttamente e di evitare di causare danni alle cose o gravi lesioni alle persone.

Limite minimo di età consigliato: Almeno 14 anni. Non è un giocattolo.

PRECAUZIONI E AVVERTENZE SULLA SICUREZZA

L'utente di questo prodotto è l'unico responsabile del corretto utilizzo del medesimo in maniera che non sia pericoloso, sia nei propri riguardi che nei confronti di terzi e non danneggi il prodotto stesso o l'altrui proprietà.

Questo modello è controllato da un segnale radio potenzialmente soggetto a interferenze da molte fonti che non potete controllare. Queste interferenze possono generare momentanee perdite di controllo del modello, quindi è consigliabile mantenere sempre una certa distanza di sicurezza in ogni direzione, poichè questo può aiutare ad evitare urti o infortuni.

- Non utilizzare mai il modello con batterie scariche.
- Utilizzate sempre il modello in zone ampie, sgombre da persone, macchine e traffico.
- Non utilizzate mai il modello in strade aperte al traffico o in luoghi affollati.
- Seguite attentamente le avvertenze d'uso di questo modello e di ogni altro accessorio (caricabatterie, batterie ricaricabili ecc.).
- Tenete qualsiasi prodotto chimico o elettrico al di fuori della portata dei bambini.
- Non leccate o ingerite alcun pezzo del modello perchè questo può causare infortuni seri, o addirittura la morte.
- Utilizzate sempre con attenzione attrezzi e oggetti affilati.
- Prestare attenzione durante la costruzione perchè alcune parti potrebbero avere degli spigoli vivi.
- Subito dopo l'uso NON toccate componenti del modello quali motore, variatore elettronico o la batteria, perchè si scaldano molto durante il funzionamento. Toccandoli potreste scottarvi.
- Non inflatate le dita tra gli ingranaggi del modello o altre parti in rotazione o movimento, poichè questo può causare danni o infortuni gravi.
- Accendete sempre prima la trasmittente e poi la ricevente sul modello. Invece spegnete sempre prima la ricevente e poi la trasmittente.
- Sollevate le ruote del modello da terra quando controllate il corretto funzionamento dell'apparato radio.

INDICE

Veicolo resistente all'acqua con elettronica impermeabile.....	40	Testare i comandi	46
Contenuto della scatola	41	Dopo l'uso	47
Avvertenze sulla ricarica USB.....	42	Collegamento trasmettente-ricevitore.....	47
Caricare la batteria del veicolo.....	42	Guida alla risoluzione dei problemi	48
Layout del trasmettitore.....	43	Elenco componenti.....	48
Installare le batterie del trasmettitore	44	Garanzia	49
Rimuovere la carrozzeria del veicolo	44	Garanzia e Assistenza - Informazioni per i contatti.....	50
Installare la batteria del veicolo	45	Dichiarazione di conformità per l'Unione europea	50
Accendere la trasmettente	45	Viste esplose.....	51
Avviare il veicolo.....	46		

VEICOLO RESISTENTE ALL'ACQUA CON ELETTRONICA IMPERMEABILE

Il vostro nuovo veicolo Horizon Hobby è stato progettato e costruito con una combinazione di componenti impermeabili e resistenti all'acqua, per consentirvi di utilizzare il prodotto in molte situazioni "umide," incluse pozze, ruscelli, erba bagnata, neve e anche pioggia.

Sebbene tutto il veicolo sia altamente resistente all'acqua, tuttavia non è completamente impermeabile e NON si può trattare come fosse un sottomarino. I vari componenti elettronici usati sul veicolo, come il regolatore elettronico di velocità (ESC), i servi e il ricevitore, sono impermeabili, però molti dei componenti meccanici sono solo resistenti all'acqua e non si possono immergere.

Le parti metalliche, inclusi i cuscinetti, le cerniere, viti e dadi, come pure i contatti sui cavi elettrici, sono suscettibili di corrosione se non si fa una particolare manutenzione dopo l'uso sul bagnato. Per prolungare al massimo le prestazioni nel tempo e tenere valida la garanzia, le procedure descritte nella sezione "Manutenzione in condizioni umide," si devono applicare regolarmente se si sceglie di correre sul bagnato. Se non siete disposti ad eseguire questa manutenzione aggiuntiva, allora dovete evitare di utilizzare il veicolo in queste condizioni.



ATTENZIONE: L'uso incauto di questo prodotto o il mancato rispetto delle seguenti precauzioni può portare ad un malfunzionamento del prodotto e/o invalidare la garanzia.

PRECAUZIONI GENERALI

- Leggete attentamente le procedure di manutenzione del vostro veicolo in condizioni umide, per essere sicuri di avere tutte le attrezzature necessarie per questo scopo.
- Non tutte le batterie si possono usare in condizioni di umidità. Consultate il costruttore delle batterie prima di utilizzarle. Bisogna avere cautela quando si usano le batterie Li-Po in condizioni di bagnato.
- Molti trasmettitori non sono resistenti all'acqua. Consultate i relativi manuali o il costruttore prima dell'utilizzo.
- Non utilizzate mai il vostro trasmettitore o il veicolo quando ci sono lampi.
- Non utilizzate il vostro veicolo quando c'è il rischio che entri in contatto con acqua salata (acqua marina o acqua proveniente da una strada su cui sia stato sparso del sale), acqua contaminata o inquinata. L'acqua salata è molto conduttiva e altamente corrosiva, perciò bisogna usare molta cautela.
- Anche il minimo contatto con l'acqua potrebbe ridurre la vita del vostro motore se non è stato certificato come impermeabile o resistente all'acqua. Se dovesse essere troppo umido, accelerate poco finché l'acqua non viene rimossa dal motore. Far girare forte un motore bagnato potrebbe danneggiarlo rapidamente.
- Guidare sul bagnato può ridurre la vita del motore. La resistenza aggiuntiva in queste condizioni causa uno sforzo eccessivo. Modificate il rapporto di riduzione diminuendo il pignone o aumentando la corona. Questo aumenta la coppia (e la vita del motore) quando si utilizza il veicolo nel fango, in pozzanghere profonde o qualsiasi altra situazione in cui l'umidità possa aumentare il carico del motore per lungo tempo.

MANUTENZIONE IN CONDIZIONI UMIDE

- Sc caricare l'acqua raccolta negli pneumatici facendoli girare ad alta velocità. Togliere la carrozzeria e rovesciare il veicolo, poi dare alcune brevi accelerazioni finché l'acqua non viene rimossa.



ATTENZIONE: Durante l'operazione precedente, tenere sempre lontano dalle parti rotanti mani, dita, attrezzi o altri oggetti liberi di muoversi.

- Togliere la batteria ed asciugarne i contatti. Se avete un compressore o una bombola di aria compressa, soffiare via l'eventuale acqua rimasta all'interno del connettore.
- Smontate le ruote/gomme dal veicolo e risciacquatele con attenzione per togliere il fango e la polvere usando un getto di acqua. Evitate di risciacquare i cuscinetti e la trasmissione.

AVVISO: Non usare acqua sotto pressione per pulire il vostro veicolo.

- Usate un compressore o una bombola di aria compressa per asciugare il veicolo e togliere i residui di acqua eventualmente rimasti nelle piccole fessure e negli angoli.
- Spruzzare un olio impermeabilizzante o un lubrificante su cuscinetti, elementi di fissaggio e altre parti metalliche. Non spruzzare sul motore.
- Lasciate che il veicolo si asciugui all'aria prima di riporlo. L'acqua (e l'olio) continuerà a sgocciolare per alcune ore.
- Smontate il veicolo più di frequente, ispezionando e lubrificando le parti seguenti:
 - I cuscinetti dei mozzì sugli assi anteriore e posteriore.
 - Tutte le scatole di trasmissione, ingranaggi e differenziali.
 - Pulite il motore con un adatto prodotto aerosol e rilubrificate le boccole con olio leggero per motore.

CONTENUTO DELLA SCATOLA

COMPONENTI INCLUSI	
Veicolo	SCX Jeep Gladiator 1/24th Scale RTR (AXI00005V2)
Trasmittente	SLT2 2,4 GHz 2 canali (SPMRSLT200)
Caricabatterie	Spektrum Caricabatterie LiPo USB-C JST-XH (SPMXC0030)
Batteria del veicolo	Spektrum 7,4 V, 350 mAh, 2S LiPo: PH (SPMX3502S30)
Motore	Motore 030 SCX24 con pignone (DYNS1217)
ESC/ricevitore	ESC/Rx con marcia avanti e retromarcia (SPMXSE2425RX)
Servo	Micro Servo AS-1 (AXI31619)
Batterie della trasmettente	(4) alcaline AA

SPECIFICHE	
Lunghezza	250.5mm
Larghezza	122.6mm
Altezza	106.9mm
Peso operativo	269.6g

AVVERTENZE SULLA RICARICA USB



AVVERTENZA: ignorare le dovute cautele di utilizzo e le seguenti avvertenze può provocare il malfunzionamento del prodotto e determinare problemi di natura elettrica, calore eccessivo, INCENDIO, lesioni personali e danni alle proprietà.

- **NON LASCIARE MAI LE BATTERIE IN CARICA INCUSTODITE.**
- **NON LASCIARE MAI LE BATTERIE IN CARICA TUTTA LA NOTTE.**
- Non caricare mai batterie esauste, danneggiate o bagnate.
- Non caricare mai pacchi batterie contenenti tipi diversi di batterie.
- Non consentire mai a bambini di età inferiore ai 14 anni di caricare le batterie.
- Non caricare mai le batterie in ambienti estremamente caldi o freddi o esposti al sole.
- Non caricare una batteria se il cavo è stato schiacciato o cortocircuitato.
- Non collegare mai il caricabatteria alla presa di corrente se il cavo di alimentazione risulta schiacciato o cortocircuitato.
- Non provare mai a smontare il caricabatterie o usare una caricabatterie danneggiato.
- Utilizzare sempre e solo batterie ricaricabili adatte per l'uso con il tipo di caricabatterie impiegato.
- Ispezionare sempre la batteria prima di caricarla.
- Tenere sempre la batteria lontana da qualsiasi materiale che potrebbe essere influenzato dal calore.
- Monitorare sempre l'area di ricarica e mantenere sempre un estintore a portata di mano.

- Interrompere immediatamente la procedura di carica se la batteria diventa calda al tatto oppure se inizia a cambiare forma (rigonfiandosi).
- Collegare sempre correttamente i cavi positivi (+) e i cavi negativi (-).
- Scollegare sempre la batteria dopo la carica e lasciare che il caricabatterie si raffreddi tra una carica e l'altra.
- Caricare sempre le batterie in un'area ben ventilata.
- Se il prodotto presenta malfunzionamenti, interrompere tutto e contattare Horizon Hobby.
- Caricare solo batterie ricaricabili. Provare a ricaricare batterie non ricaricabili comporta il rischio che queste possano esplodere, causando danni o lesioni a cose e/o persone.
- La presa USB deve essere installata nei pressi del dispositivo e deve essere facilmente accessibile.

ATTENZIONE: assicurarsi sempre che la batteria che si sta caricando sia compatibile con le specifiche del caricabatterie. In caso contrario, vi è il rischio di surriscaldamenti e altri malfunzionamenti del prodotto che possono causare lesioni all'utente o danni materiali. Si prega di contattare Horizon Hobby o i rivenditori autorizzati per eventuali domande sulla compatibilità.

ATTENZIONE: se in qualsiasi momento durante la carica la batteria si surriscalda o inizia a deformarsi, scollegarla immediatamente e interrompere la carica, per evitare il rischio di incendio, danni collaterali e lesioni.

CARICARE LA BATTERIA DEL VEICOLO

Usare solamente il caricabatterie USB incluso per caricare la batteria.

1. Collegare il caricabatterie ad una porta di alimentazione USB adeguata. Il caricabatterie funziona con la maggior parte delle fonti di alimentazione mobili da 5V o caricabatterie per smartphone con almeno 1 ampere di potenza in uscita.

AVVISO: Il caricamento della batteria attraverso una porta USB con una potenza in uscita inferiore ad 1 ampere può causare surriscaldamento.

2. Collegare il cavo di ricarica alla batteria tenendo in considerazione la giusta polarità. Caricare una batteria completamente scarica richiede circa 45–60 minuti. I tempi di ricarica possono variare in base alla fonte di alimentazione.
3. Rimuovere la batteria dal caricabatterie quando il ciclo di ricarica è completo.
4. Rimuovere il caricabatterie dalla fonte di alimentazione.

ATTENZIONE: quando la carica è terminata, scollegare subito la batteria dal caricatore.

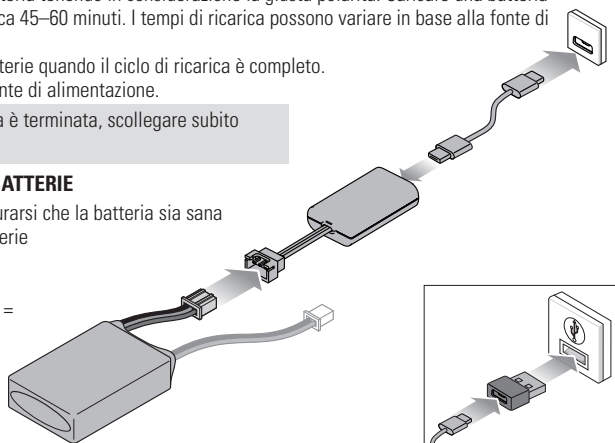
INDICAZIONI DEL LED DEL CARICABATTERIE

ROSSO, fisso = errore di carica; assicurarsi che la batteria sia sana e correttamente collegata al caricabatterie

ARANCIONE, fisso = carica in corso

VERDE, fisso = carica completa

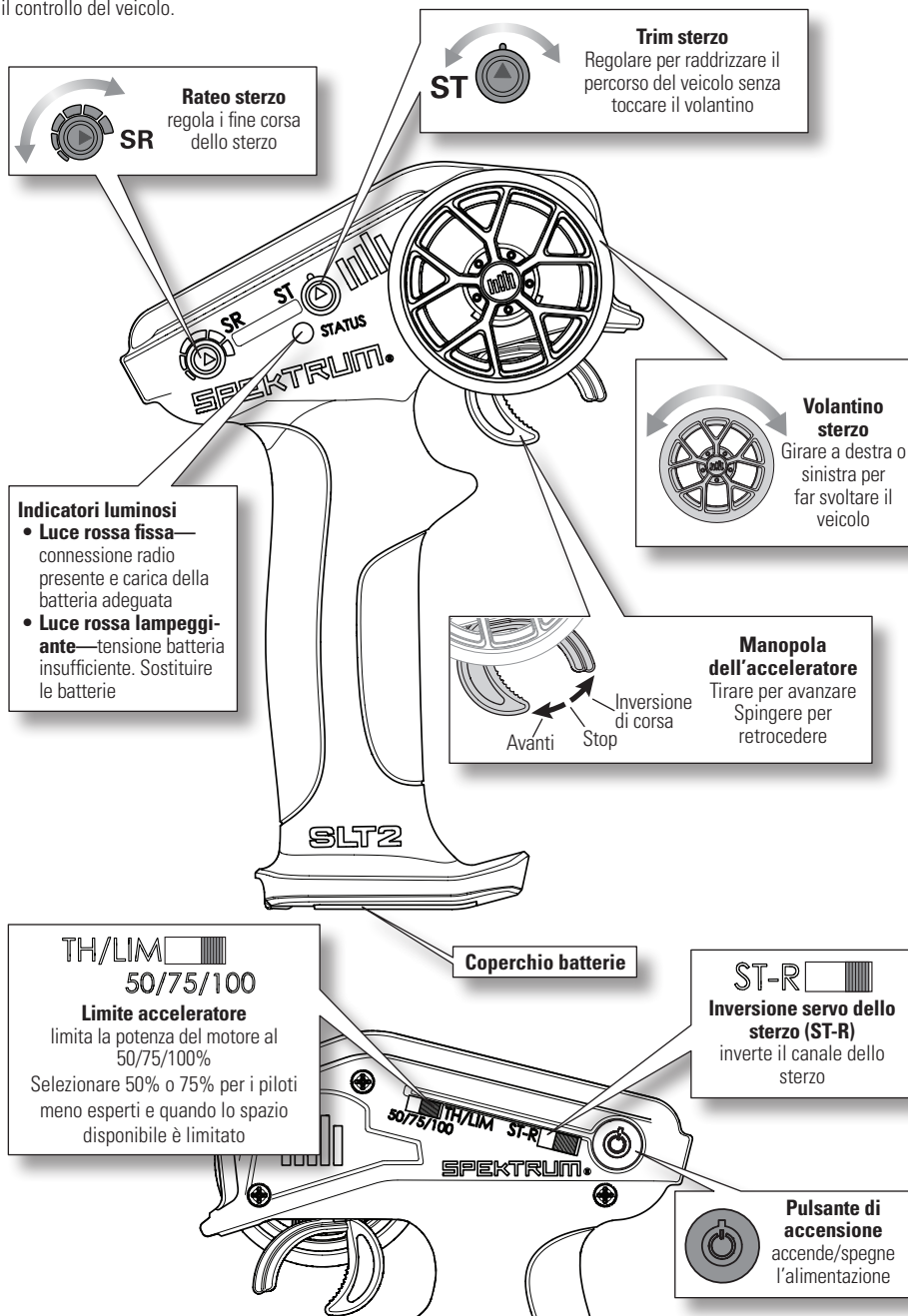
ARANCIONE/VERDE, lampeggiante = caricatore pronto per la ricarica



LAYOUT DEL TRASMETTITORE

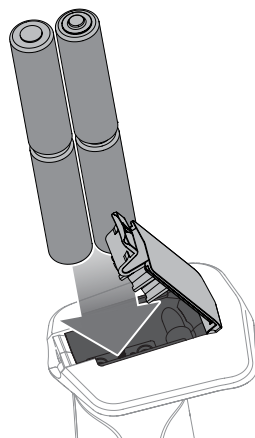
Usare il seguente schema per familiarizzare con le varie funzioni della trasmittente.

L'antenna è montata internamente ed è posizionata nella parte anteriore della trasmittente. Durante l'utilizzo del modello, reggere la trasmittente in modo tale da tenerla in posizione il più possibile verticale. Non cercare di seguire il movimento del modello con la trasmittente. In questo modo, si ottiene il segnale RF migliore tra la trasmittente e il ricevitore. Non coprire la parte anteriore della trasmittente durante l'uso, per evitare di bloccare il segnale RF e perdere il controllo del veicolo.



INSTALLARE LE BATTERIE DEL TRASMETTITORE

1. Per aprire, premere il fermo del vano batteria e ruotare il coperchio delle batterie.
2. Installare 4 batterie alcaline AA prestando attenzione alla polarità.
3. Chiudere il coperchio delle batterie e farlo scattare.

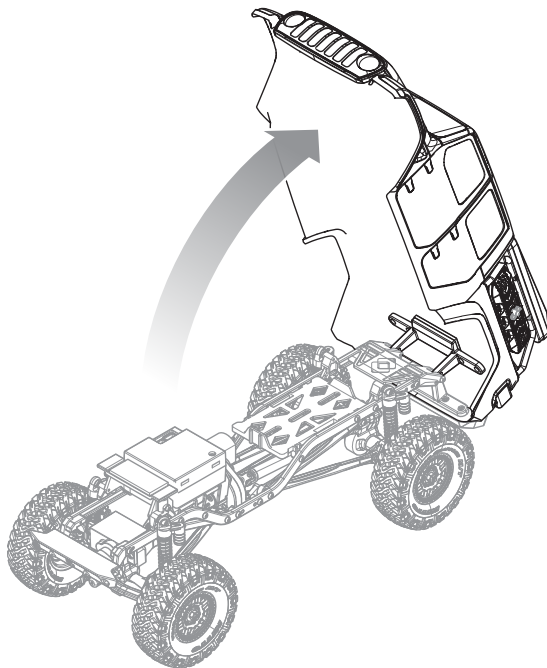


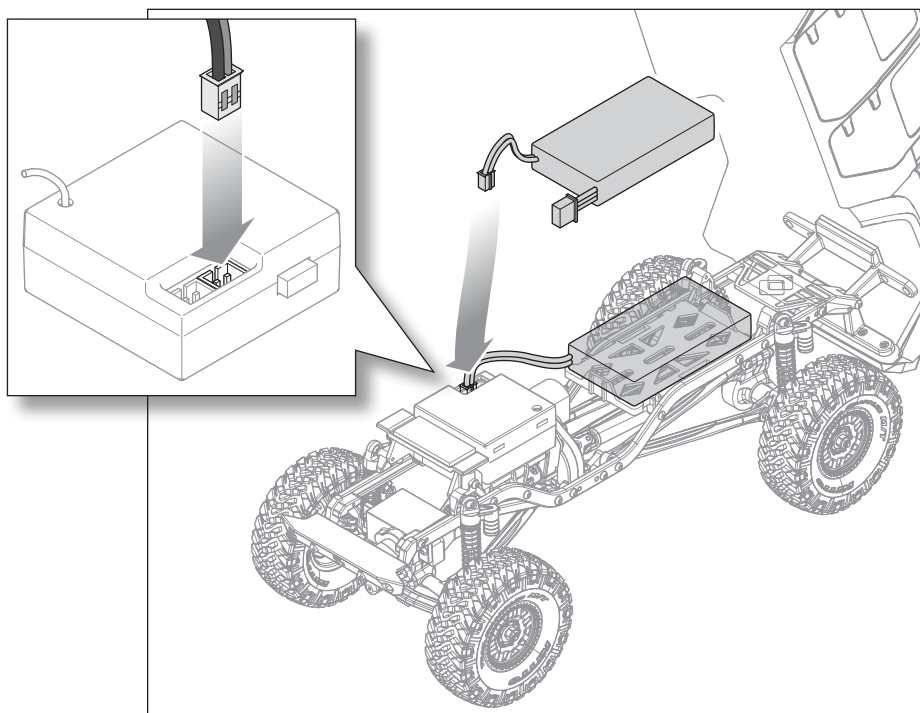
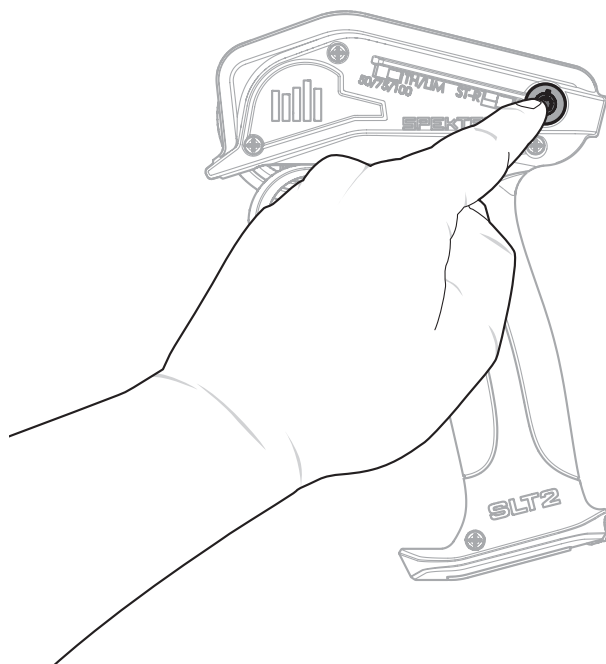
⚠ ATTENZIONE: non rimuovere MAI le batterie dalla trasmittente mentre il veicolo è acceso. Questo potrebbe causare la perdita di controllo del veicolo, danni o lesioni.

⚠ ATTENZIONE: se si utilizzano batterie ricaricabili, ricaricare solo quelle e non le normali batterie non ricaricabili. Provare a ricaricare batterie non ricaricabili comporta il rischio che queste possano esplodere, causando lesioni o danni cose e/o persone.

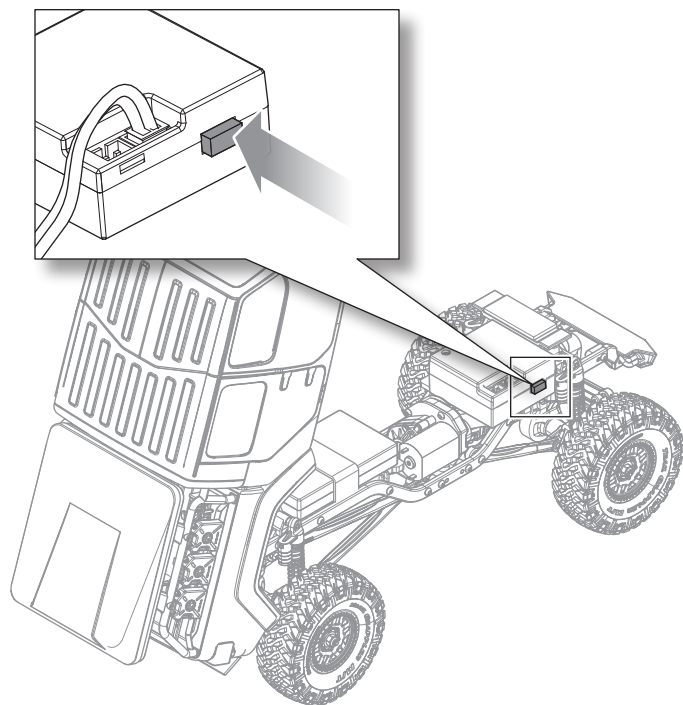
⚠ ATTENZIONE: la sostituzione di una batteria con una batteria di tipo inappropriato può comportare il rischio di esplosioni. Smaltire le batterie esauste nel rispetto delle vigenti norme nazionali e locali.

RIMUOVERE LA CARROZZERIA DEL VEICOLO



INSTALLARE LA BATTERIA DEL VEICOLO**ACCENDERE LA TRASMITTENTE**

AVVIARE IL VEICOLO

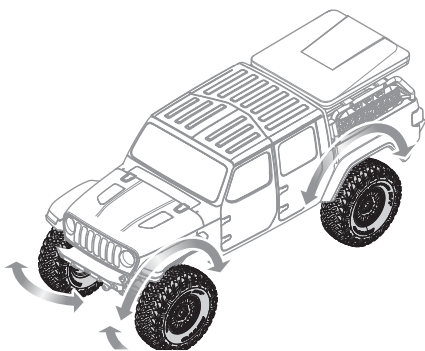
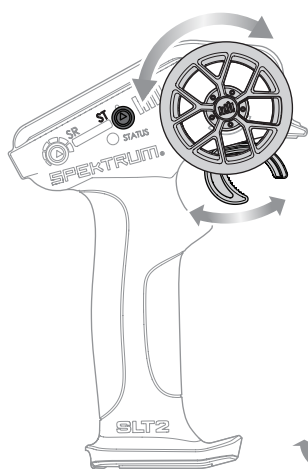


TESTARE I COMANDI

Tenendo il veicolo con le ruote sollevate da terra, testare i comandi del motore e dello sterzo. Assicurarsi che le ruote girino nella direzione corretta e che le ruote anteriori svoltino in modo coerente con i movimenti dello sterzo.

Dopo aver controllato la giusta direzione dei comandi, iniziare a guidare lentamente. Se non toccando il volantino il veicolo non procede dritto, regolare l'indicatore del trim di sterzo sulla trasmettente finché il veicolo non assume un percorso rettilineo in assenza di input allo sterzo.

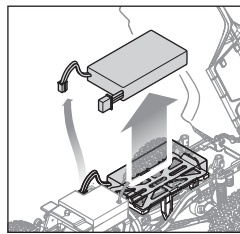
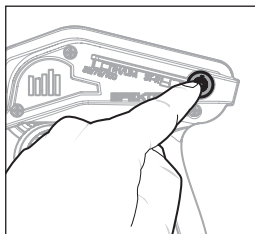
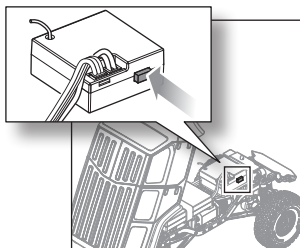
DIVERTITI a guidare il veicolo!



DOPO L'USO

Terminato l'uso del veicolo:

1. Spegnerne il modello.
2. Spegnerne la trasmittente.
3. Rimuovere la batteria del veicolo e, se necessario, caricarla.



COLLEGAMENTO TRASMITTENTE-RICEVITORE

La connessione (binding) è la procedura di programmazione del ricevitore per il riconoscimento del segnale di una trasmittente specifica, evitando l'interferenza di altre trasmissioni. La trasmittente e il ricevitore forniti con il veicolo sono connessi in fabbrica. Se è necessario effettuare nuovamente la connessione, seguire queste istruzioni.

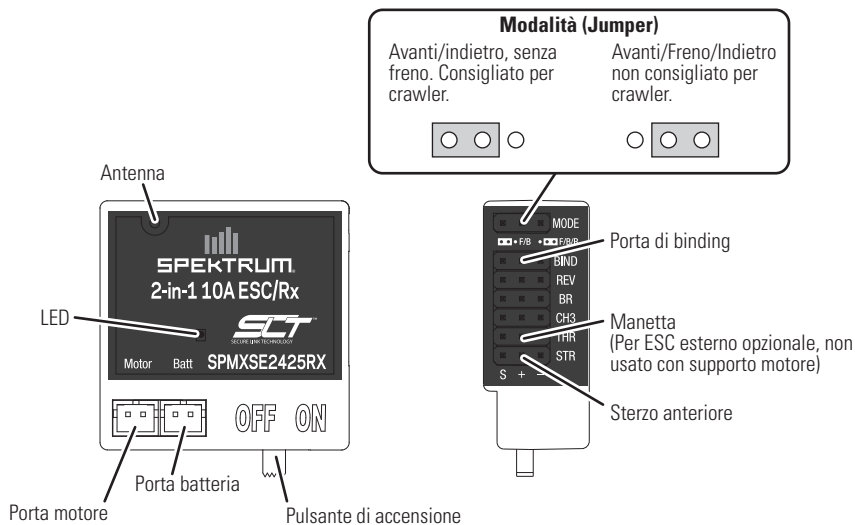
AVVISO: non tentare di collegare la trasmittente e il ricevitore se ci sono altre trasmissioni compatibili in modalità di connessione entro un raggio di 400 piedi (120 m). Questo può comportare una connessione imprevista alla trasmittente sbagliata e la perdita di controllo del veicolo.

Prima di avviare la procedura di connessione, assicurarsi che il servo e il motore siano collegati alle porte corrette del ricevitore e che le batterie della trasmittente siano completamente cariche.

1. Inserire il connettore di binding nel ricevitore.
2. Accendere il ricevitore. Il LED del ricevitore inizia a lampeggiare velocemente.
3. Accendere la trasmittente. Il LED della trasmittente lampeggia.
4. Quando il LED diventa fisso, la procedura di binding è completata.

Il LED del ricevitore si accende di luce fissa quando sia la trasmittente che il ricevitore sono accesi. Se il LED del ricevitore lampeggia rapidamente o non si accende, la trasmittente e il ricevitore non sono collegati. Spegnerne sia la trasmittente che il ricevitore e ripetere la procedura di binding.

RICEVITORE E SCHEMA CABLAGGI ESC



GUIDA ALLA RISOLUZIONE DEI PROBLEMI

PROBLEMA	POSSIBILE CAUSA	SOLUZIONE
Il veicolo non si muove	Le batterie non sono state installate correttamente nella trasmittente	Assicurarsi che le batterie della trasmittente siano installate correttamente
	Batteria scarica o assente nel veicolo	Installare una batteria appena ricaricata sul veicolo
	Motore danneggiato	Sostituire il motore
	Cavi danneggiati o rotti	Sostituire i cavi danneggiati
	L'ESC viene spento dal circuito di protezione termica	Lasciare raffreddare completamente l'ESC
Perdita del controllo del veicolo	Antenna posizionata in modo errato	Assicurarsi che l'antenna della trasmittente non sia bloccata e che l'antenna del ricevitore sia posizionata correttamente
	Batterie scariche o assenti nella trasmittente o nel veicolo	Installare una batteria appena ricaricata sul veicolo e batteria nuove sulla trasmittente
	Posizione neutra o del trim errata	Regolare il trim dello sterzo
	Ricevitore e/o batteria non collegati correttamente	Verificare tutti i collegamenti del ricevitore e della batteria
La funzione sterzo e/o acceleratore è invertita	La corsa del servo è invertita a livello della trasmittente	Mettere in posizione corretta l'interruttore d'inversione della corsa del servo sulla trasmittente
	I cavi del motore non sono collegati correttamente	Verificare che tutti i cavi del motore abbiano polarità corretta e siano ben collegati

ELENCO COMPONENTI

AXI200005	Carrozzeria SCX24 Jeep JT Gladiator, trap.	AXI31609	SCX24 Assale anteriore (assemblato)
AXI200006	Paraurti posteriore e cerniera	AXI31610	SCX24 Assale posteriore (assemblato)
AXI200007	Set scocca	AXI31611	SCX24 Set albero trasmissione (C, M, L)
AXI200008	Pacchetto accessori Overland	AXI31619	Micro Servo AS-1
AXI201001	Paraurti anteriore	AXI40004	Gomme 2.0 Nitto Trail Grappler (4)
AXI201003	Chassis, XL WB 153,7 mm	AXI40005	Ruote 1.0 KMC Machete, satinato (4)
AXI202000	Set albero trasmissione corto e XL	AXIC1147	AX31147 Controdado nylon 2 mm (10)
AXI203002	Set di ammortizzatori ad olio	SPMRSLT300	SLT3 3 CH 2,4 Ghz SLT solo TX
AXI203003	Set molle	SPMX3502S30	Batteria 7,4 V 350 mAh 2S 30C LiPo: PH2.0 2p
AXI204001	Bracci sospensioni, XL WB 153,7 mm	SPMXC0030	Caricatore 2S USB-C PH2.54 JST-XH
AXI204002	Set ammortizzatore posteriore 4 molle	SPMXSE2425RX	Combo ESC / Ricevitore SLT 2-in-1 10 Amp a spazzole
AXI31608	SCX24 Trasmissione (assemblata)		

PARTI OPZIONALI

AXI302001	Carter differenziale, ottone	DYNH2027	Set di viti in acciaio inox
AXI302002	Mozzo esagonale, ottone (2)	DYNT0503	Set attrezzi base: Axial 1/24
AXI302003	Fusi a snodo, ottone (sx/dx)	SPMXC1050	Caricabatterie Smart S1500 DC, 1 x 500 W
AXI302004	Pesi fuso a snodo, ottone (4)	SPMXC2050	Caricabatterie Smart S155 G2 1x55 W AC
AXI302005	Supporto servo, ottone	SPMXCA309	Adattatore: Batteria IC3 / Dispositivo JST-PH 2.0
AXI302006	Montaggio braccio superiore post., ottone		

GARANZIA

Periodo di garanzia

Garanzia esclusiva - Horizon Hobby, LLC (Horizon) garantisce che il prodotto acquistato (il "Prodotto") sarà privo di difetti relativi ai materiali e di eventuali errori di montaggio alla data di acquisto. Il periodo di garanzia è conforme alle disposizioni legali del paese nel quale il prodotto è stato acquistato. Tale periodo di garanzia ammonta a 6 mesi e si estende ad altri 18 mesi dopo tale termine.

Limiti della garanzia

- (a) La garanzia è limitata all'acquirente originale (Acquirente) e non è cedibile a terzi. L'acquirente ha il diritto a far riparare o a far sostituire la merce durante il periodo di questa garanzia. La garanzia copre solo quei prodotti acquistati presso un rivenditore autorizzato Horizon. Altre transazioni di terze parti non sono coperte da questa garanzia. La prova di acquisto è necessaria per far valere il diritto di garanzia. Inoltre, Horizon si riserva il diritto di cambiare o modificare i termini di questa garanzia senza alcun preavviso e di escludere tutte le altre garanzie già esistenti.
- (b) Horizon non si assume alcuna garanzia per la disponibilità del prodotto, per l'adeguatezza o l'idoneità del prodotto a particolari previsti dall'utente. È sola responsabilità dell'acquirente il fatto di verificare se il prodotto è adatto agli scopi da lui previsti.
- (c) Richiesta dell'acquirente – spetta soltanto a Horizon, a propria discrezione riparare o sostituire qualsiasi prodotto considerato difettoso e che rientra nei termini di garanzia. Queste sono le uniche rivalse a cui l'acquirente si può appellare, se un prodotto è difettoso.

Horizon si riserva il diritto di controllare qualsiasi componente utilizzato che viene coinvolto nella rivalsa di garanzia. Le decisioni relative alla sostituzione o alla riparazione sono a discrezione di Horizon. Questa garanzia non copre dei danni superficiali o danni per cause di forza maggiore, uso errato del prodotto, un utilizzo che viola qualsiasi legge, regolamentazione o disposizione applicabile, negligenza, uso ai fini commerciali, o una qualsiasi modifica a qualsiasi parte del prodotto.

Questa garanzia non copre danni dovuti ad un'installazione errata, ad un funzionamento errato, ad una manutenzione o un tentativo di riparazione non idonei a cura di soggetti diversi da Horizon. La restituzione del prodotto a cura dell'acquirente, o da un suo rappresentante, deve essere approvata per iscritto dalla Horizon.

Limiti di danno

Horizon non si riterrà responsabile per danni speciali, diretti, indiretti o consequenziali; perdita di profitto o di produzione; perdita commerciale connessa al prodotto, indipendentemente dal fatto che la richiesta si basa su un contratto o sulla garanzia. Inoltre la responsabilità di Horizon non supera mai in nessun caso il prezzo di acquisto del prodotto per il quale si chiede la responsabilità. Horizon non ha alcun controllo sul montaggio, sull'utilizzo o sulla manutenzione del prodotto o di combinazioni di vari prodotti. Quindi Horizon non accetta nessuna responsabilità per danni o lesioni derivanti da tali circostanze. Con l'utilizzo e il montaggio

del prodotto l'utente acconsente a tutte le condizioni, limitazioni e riserve di garanzia citate in questa sede.

Qualora l'utente non fosse pronto ad assumersi tale responsabilità associata all'uso del prodotto, si suggerisce di restituire il prodotto intatto, mai usato e immediatamente presso il venditore.

Indicazioni di sicurezza

Questo è un prodotto sofisticato di hobbistica e non è un giocattolo. Esso deve essere manipolato con cautela, con giudizio e richiede delle conoscenze basilari di meccanica e delle facoltà mentali di base. Se il prodotto non verrà manipolato in maniera sicura e responsabile potrebbero risultare delle lesioni, dei gravi danni a persone, al prodotto o all'ambiente circostante. Questo prodotto non è concepito per essere usato dai bambini senza una diretta supervisione di un adulto. Il manuale del prodotto contiene le istruzioni di sicurezza, di funzionamento e di manutenzione del prodotto stesso. È fondamentale leggere e seguire tutte le istruzioni e le avvertenze nel manuale prima di mettere in funzione il prodotto. Solo così si eviterà un utilizzo errato e si eviteranno incidenti, lesioni o danni.

Domande, assistenza e riparazioni

Il vostro negozio locale e/o luogo di acquisto non possono fornire garanzie di assistenza o riparazione senza previo colloquio con Horizon. Questo vale anche per le riparazioni in garanzia. Quindi in tale caso bisogna interpellare un rivenditore, che si metterà in contatto subito con Horizon per prendere una decisione che vi possa aiutare nel più breve tempo possibile.

Manutenzione e riparazione

Se il prodotto deve essere ispezionato o riparato, si prega di rivolgersi ad un rivenditore specializzato o direttamente ad Horizon. Il prodotto deve essere imballato con cura. Bisogna far notare che i box originali solitamente non sono adatti per effettuare una spedizione senza subire alcun danno. Bisogna effettuare una spedizione via corriere che fornisca una tracciabilità e un'assicurazione, in quanto Horizon non si assume alcuna responsabilità in relazione alla spedizione del prodotto. Inserire il prodotto in una busta assieme ad una descrizione dettagliata degli errori e ad una lista di tutti i singoli componenti spediti. Inoltre abbiamo bisogno di un indirizzo completo, di un numero di telefono per chiedere ulteriori domande e di un indirizzo e-mail.

Garanzia e riparazione

Le richieste in garanzia verranno elaborate solo se è presente una prova d'acquisto in originale proveniente da un rivenditore specializzato autorizzato, nella quale è ben visibile la data di acquisto. Se la garanzia viene confermata, allora il prodotto verrà riparato o sostituito. Questa decisione spetta esclusivamente a Horizon Hobby.

Riparazioni a pagamento

Se bisogna effettuare una riparazione a pagamento, effettueremo un preventivo che verrà inoltrato al vostro rivenditore. La riparazione verrà effettuata dopo l'autorizzazione da parte del vostro rivenditore. La somma per la riparazione dovrà essere pagata al vostro rivenditore. Le riparazioni a pagamento avranno un costo

minimo di 30 minuti di lavoro e in fattura includeranno le spese di restituzione. Qualsiasi riparazione non pagata e non richiesta entro 90 giorni verrà considerata abbandonata e verrà gestita di conseguenza.

ATTENZIONE: Le riparazioni a pagamento sono disponibili solo sull'elettronica e sui motori. Le riparazioni a livello meccanico, soprattutto per gli elicotteri e le vetture RC, sono molto costose e devono essere effettuate autonomamente dall'acquirente.

10/15

GARANZIA E ASSISTENZA - INFORMAZIONI PER I CONTATTI

Stato di acquisto	Horizon Hobby	Telefono/Indirizzo e-mail	Indirizzo
Unione Europea	Horizon Technischer Service Sales: Horizon Hobby GmbH	service@horizonhobby.de +49 (0) 4121 2655 100	Hanskampring 9 D 22885 Barsbüttel, Germany

DICHIARAZIONE DI CONFORMITÀ PER L'UNIONE EUROPEA



Dichiarazione di conformità UE:

Axial Jeep Gladiator 1/24th Scale 4WD RTR (AXI00005V2T3/T4/T5); Con la

presente, Horizon Hobby, LLC dichiara che il dispositivo è conforme a quanto segue: Direttiva europea bassa tensione (LVD) 2014/35/UE; Direttiva europea sulla compatibilità elettromagnetica (EMC) 2014/30/UE; Direttiva europea sulle apparecchiature radio (RED) 2014/53/UE; Direttiva RoHS 2 2011/65 / UE; Direttiva RoHS 3 - Modifica 2011/65 / UE allegato II 2015/863.

Il testo completo della dichiarazione di conformità UE è disponibile al seguente indirizzo internet: <https://www.horizonhobby.com/content/support-render-compliance>.

NOTA: questo prodotto contiene batterie coperte dalla direttiva europea 2006/66 / CE, che non possono essere smaltite con i rifiuti domestici. Attenersi alle normative locali.

Gamma di frequenza wireless / Potenza di uscita wireless

Trasmittitore

2405-2450MHz

15.26dBm

Produttore ufficiale dell'UE:

Horizon Hobby, LLC
2904 Research Road
Champaign, IL 61822 USA

Importatore ufficiale dell'UE:

Horizon Hobby, GmbH
Hanskampring 9
22885 Barsbüttel Germany

AVVISO RAEE:

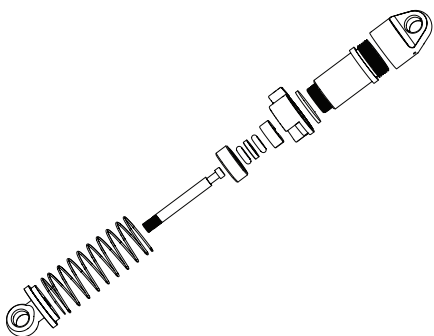


Questo dispositivo è marcato ai sensi della Direttiva europea 2012/19/UE riguardante i rifiuti di apparecchiature elettriche ed elettroniche (RAEE). Il simbolo indica che il prodotto non va smaltito insieme ai rifiuti domestici. Il prodotto deve essere consegnato agli appositi centri di raccolta per consentirne il recupero e il riciclaggio.

EXPLODED VIEWS // EXPLOSIONSZEICHNUNGEN // VUES ÉCLATÉES // VISTE ESPLOSE

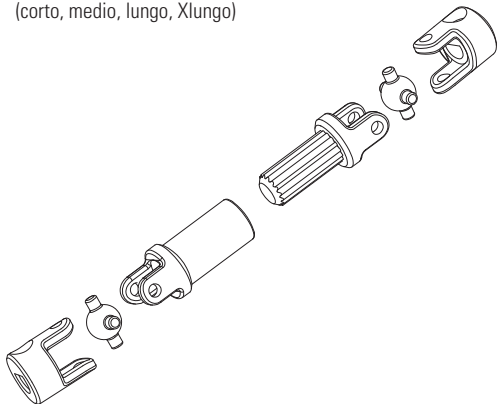
AXI203002

SCX24 Shock Set (assembled)
SCX24 Stoßdämpfersatz (montiert)
Ensemble d'amortisseurs SCX24 (assemblés)
SCX24 Set ammortizzatori (assemblati)



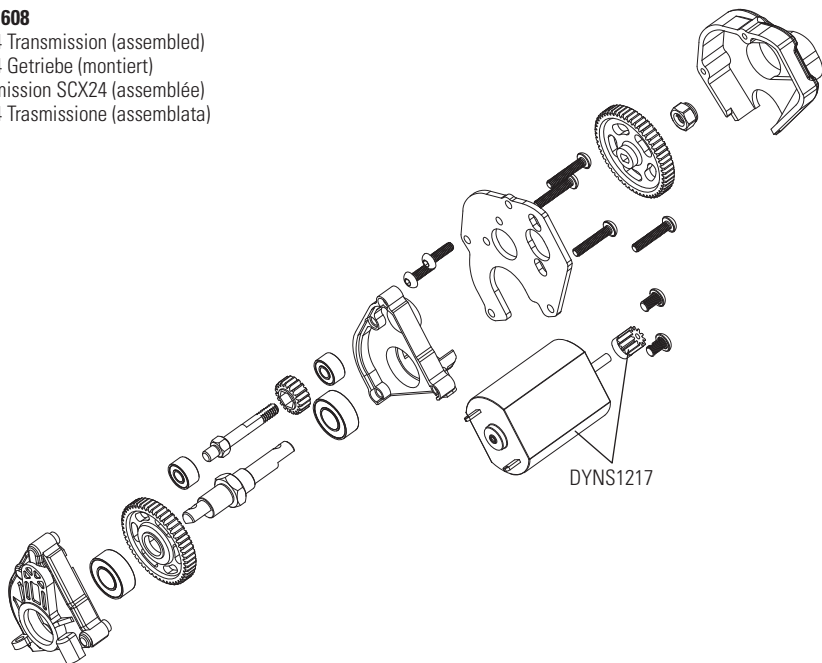
AXI31611 and AXI202000

SCX24 Driveshaft Set (short, medium, long, Xlong)
SCX24 Antriebswellensatz (kurz, mittel, lang, Xlang)
Ensemble d'arbre de transmission
SCX24 (court, moyen, long, Xlong)
SCX24 Set albero di trasmissione
(corto, medio, lungo, Xlungo)



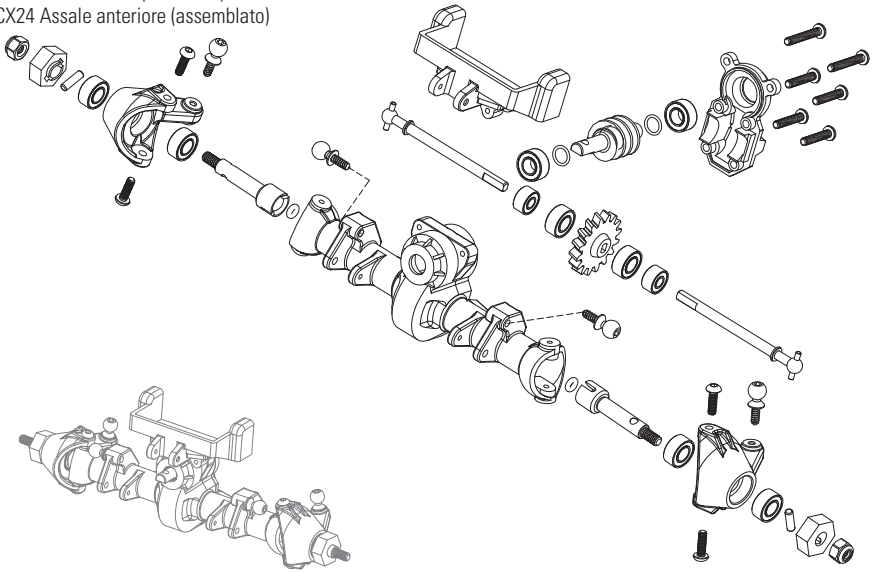
AXI31608

SCX24 Transmission (assembled)
SCX24 Getriebe (montiert)
Transmission SCX24 (assemblée)
SCX24 Trasmissione (assemblata)



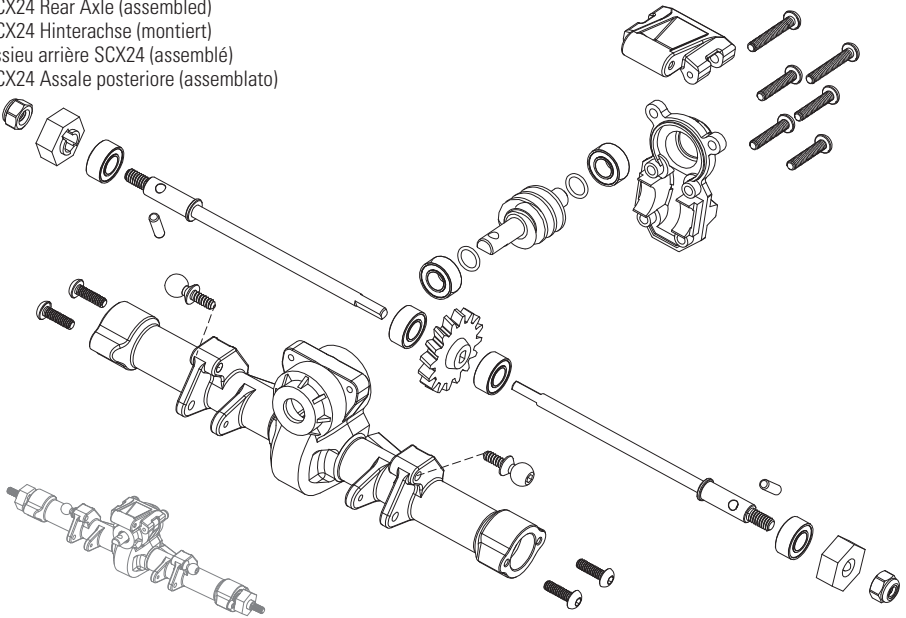
AXI31609

SCX24 Front Axle (assembled)
SCX24 Vorderachse (montiert)
Essieu avant SCX24 (assemblé)
SCX24 Assale anteriore (assemblato)



AXI31610

SCX24 Rear Axle (assembled)
SCX24 Hinterachse (montiert)
Essieu arrière SCX24 (assemblé)
SCX24 Assale posteriore (assemblato)



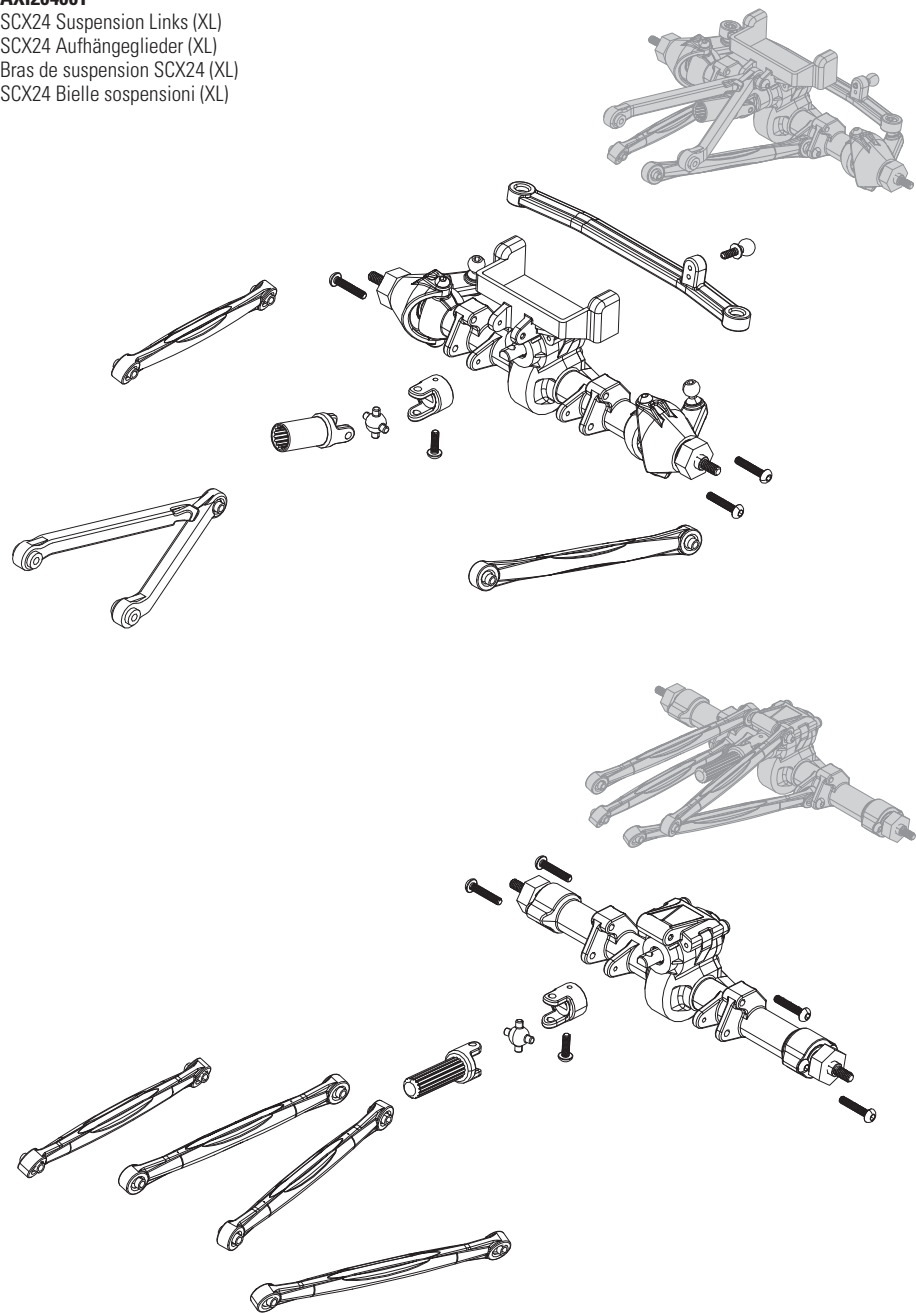
AXI204001

SCX24 Suspension Links (XL)

SCX24 Aufhängeglieder (XL)

Bras de suspension SCX24 (XL)

SCX24 Bielle sospensioni (XL)



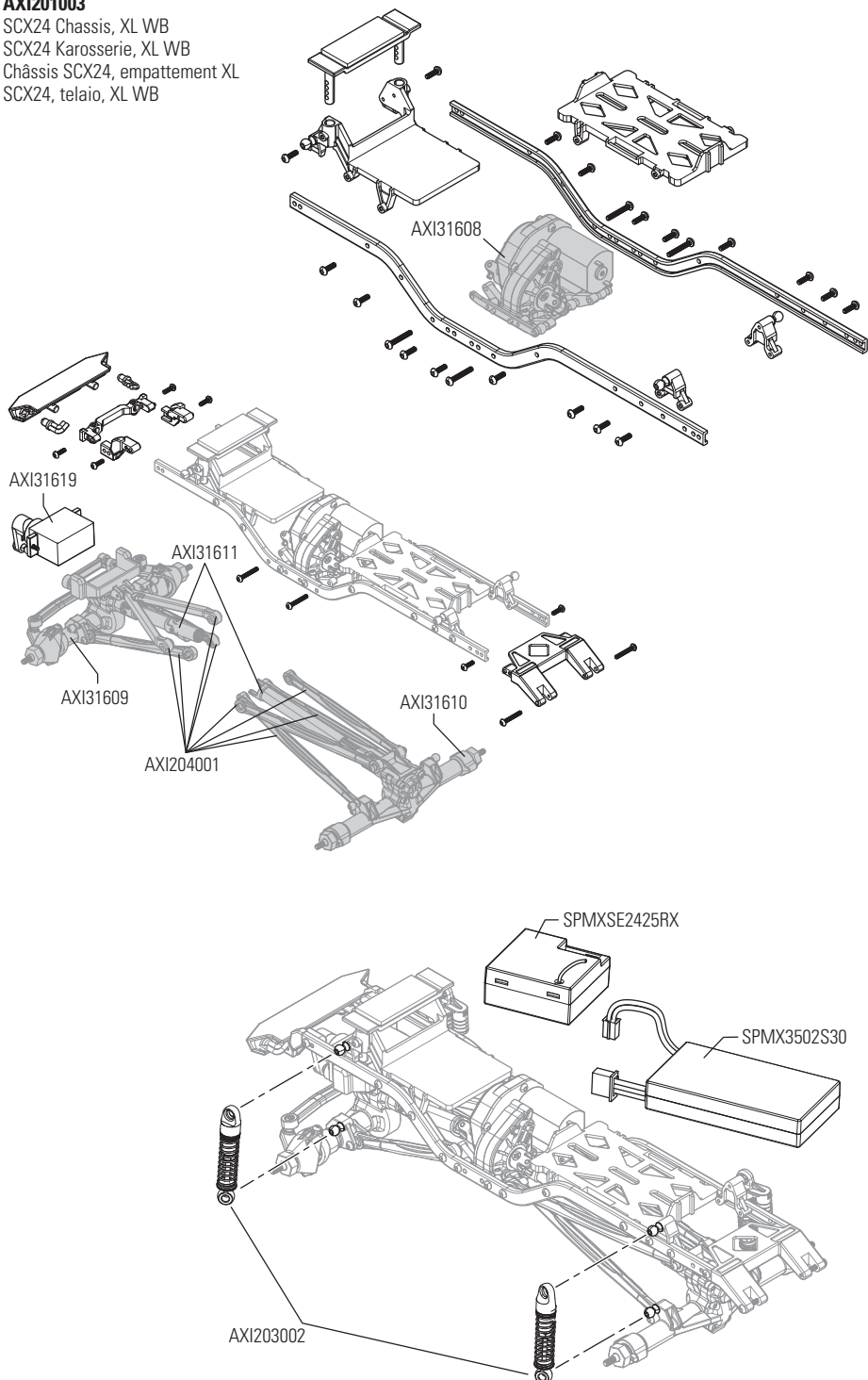
AXI201003

SCX24 Chassis, XL WB

SCX24 Karosserie, XL WB

Châssis SCX24, empattement XL

SCX24, telaio, XL WB



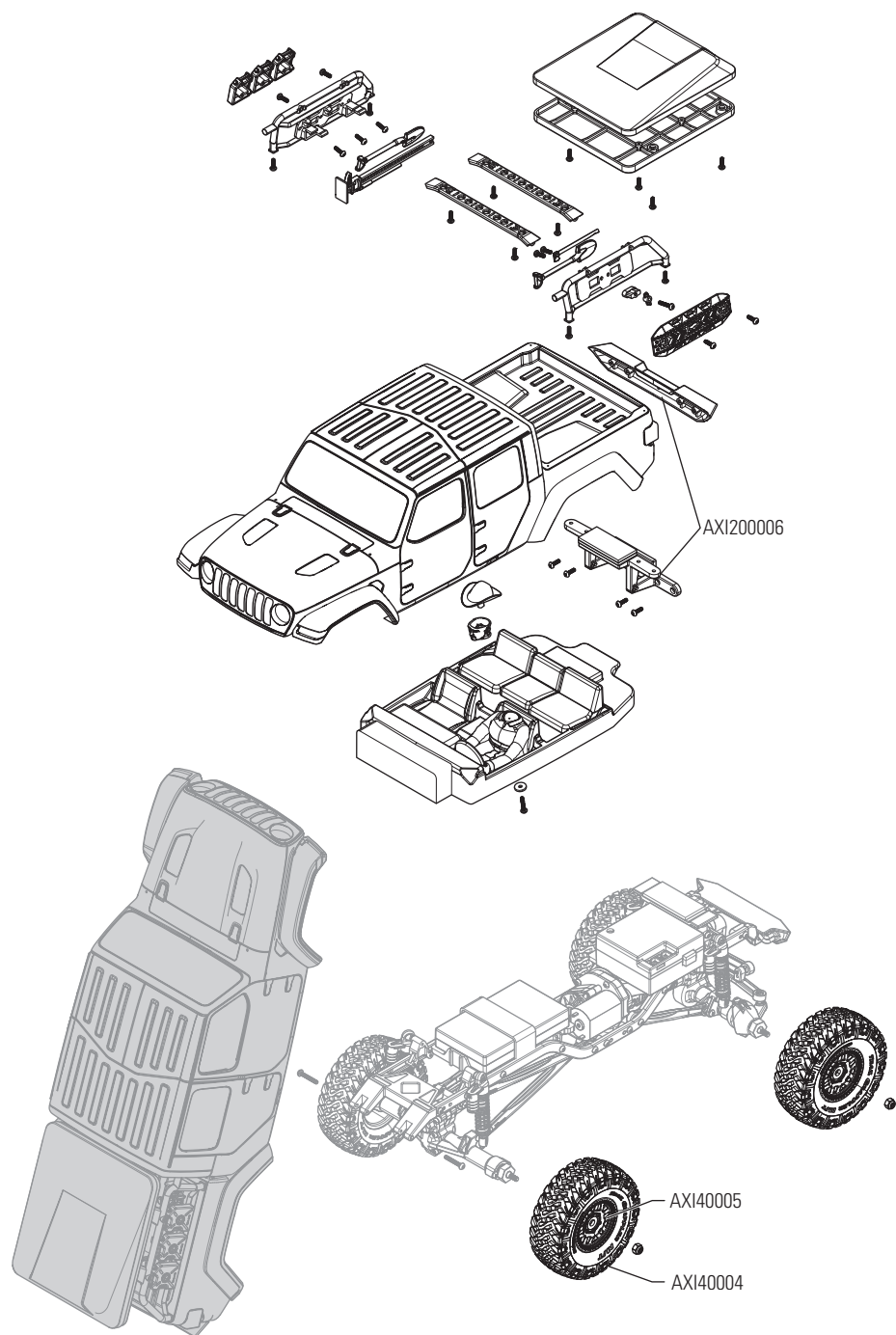
AXI200005, AXI200006, AXI200007, AXI200008

SCX24 Jeep JT Gladiator Body, Clear, Rear Bumper and Hinge Set, Overland Accessory Pack

SCX24 Jeep JT Gladiator-Gehäuse, Transparent, Heckstoßstange & Aufhängung, Käfigsatz, Zubehörpaket Überland

Carrosserie Jeep JT Gladiator SCX24, transparente, pare-chocs arrière et charnière, Ensemble cage, Pack d'accessoires terrestres

SCX24 Jeep JT Gladiator, Carrozzeria trasparente, Ammortizzatore posteriore e cerniera, Set scocca, Pacchetto accessori Overland



OFFICIALLY LICENSED BY:



EXPLORE

facebook.com/axialinc
instagram.com/axialadventure
twitter.com/axialrc
youtube.com/axialvideos



©2023 Horizon Hobby, LLC.

Axial, the Axial logo and the Horizon Hobby logo are trademarks or registered trademarks of Horizon Hobby, LLC.

Nitto® and Trail Grappler® are registered trademarks of Nitto Tire U.S.A., Inc.

The CRC name and logo are trademarks or registered trademarks of Casey Currie Motorsports and are used under license.

KMC Wheels name and logo are trademarks or registered trademarks of WheelPros, LLC and are used under license.

The Jeep name and associated vehicle likenesses are trademarks or registered trademarks of FCA US LLC and are used under license.

All other trademarks, service marks and logos are property of their respective owners.

Created 9/23

AXI00005V2/T3/T4/T5

601351