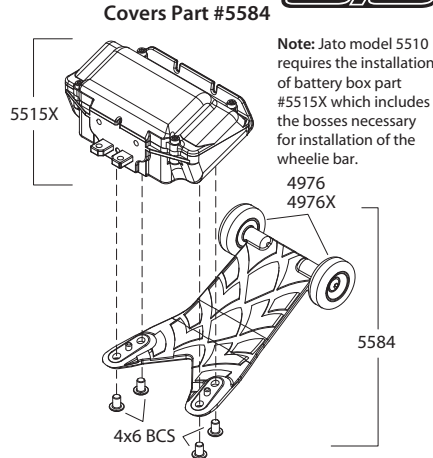


TRAXXAS JATO 3.3

Wheelie Bar Installation

The Jato 3.3 includes an optional wheelie bar. The wheelie bar is intended for use on hard, high-traction surfaces, such as pavement, where controlling wheelies can be difficult. To install the wheelie bar, attach it to the bottom of the rear battery box (Part #5515X) with the four included 4x6 button-head cap screws.

For questions or technical assistance, call:
1-888-TRAXXAS
(1-888-872-9927) (U.S. residents only)
E-mail: support@Traxxas.com



www.traxxas.com

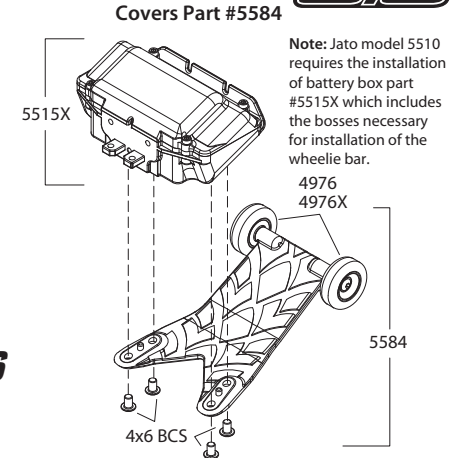
Traxxas, 1100 Klein Road, Plano, TX 75074, Phone: 972-265-8000, Fax: 972-265-8011

TRAXXAS JATO 3.3

Wheelie Bar Installation

The Jato 3.3 includes an optional wheelie bar. The wheelie bar is intended for use on hard, high-traction surfaces, such as pavement, where controlling wheelies can be difficult. To install the wheelie bar, attach it to the bottom of the rear battery box (Part #5515X) with the four included 4x6 button-head cap screws.

For questions or technical assistance, call:
1-888-TRAXXAS
(1-888-872-9927) (U.S. residents only)
E-mail: support@Traxxas.com



www.traxxas.com

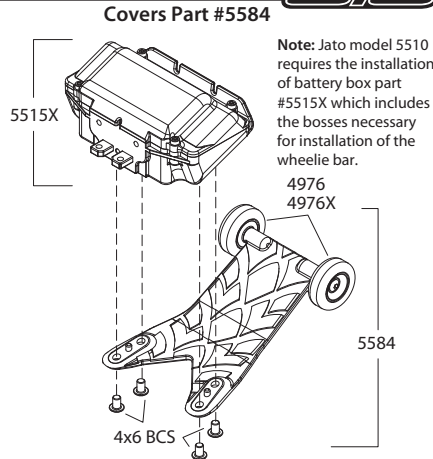
Traxxas, 1100 Klein Road, Plano, TX 75074, Phone: 972-265-8000, Fax: 972-265-8011

TRAXXAS JATO 3.3

Wheelie Bar Installation

The Jato 3.3 includes an optional wheelie bar. The wheelie bar is intended for use on hard, high-traction surfaces, such as pavement, where controlling wheelies can be difficult. To install the wheelie bar, attach it to the bottom of the rear battery box (Part #5515X) with the four included 4x6 button-head cap screws.

For questions or technical assistance, call:
1-888-TRAXXAS
(1-888-872-9927) (U.S. residents only)
E-mail: support@Traxxas.com



www.traxxas.com

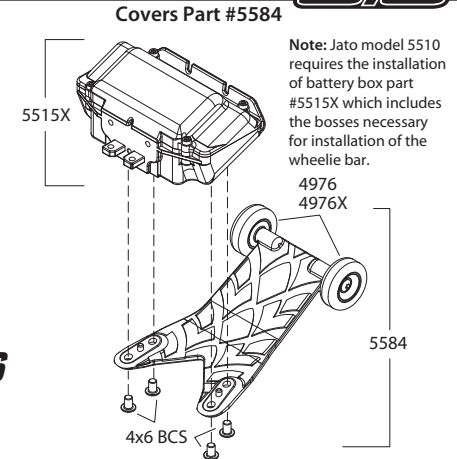
Traxxas, 1100 Klein Road, Plano, TX 75074, Phone: 972-265-8000, Fax: 972-265-8011

TRAXXAS JATO 3.3

Wheelie Bar Installation

The Jato 3.3 includes an optional wheelie bar. The wheelie bar is intended for use on hard, high-traction surfaces, such as pavement, where controlling wheelies can be difficult. To install the wheelie bar, attach it to the bottom of the rear battery box (Part #5515X) with the four included 4x6 button-head cap screws.

For questions or technical assistance, call:
1-888-TRAXXAS
(1-888-872-9927) (U.S. residents only)
E-mail: support@Traxxas.com



www.traxxas.com

Traxxas, 1100 Klein Road, Plano, TX 75074, Phone: 972-265-8000, Fax: 972-265-8011