

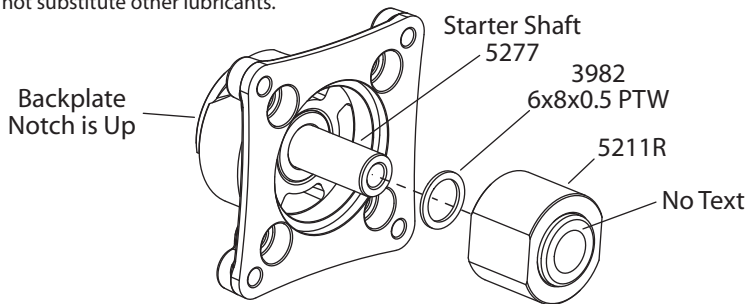


Roller Clutch Instructions

Covers Part #5211R

Install the included 6x8x0.5 PTFE washer before installing the roller clutch. The roller clutch should be installed with the embossed text facing the engine. The roller clutch is lubricated from the factory. Do not clean before installation. If the roller clutch is being replaced due to seizure, then the starter shaft (Part #5277) should be replaced to ensure long lasting performance.

Recommended maintenance: For the longest life from your roller clutch, it should be removed, cleaned and reinstalled after approximately every half gallon of fuel. Clean the roller clutch with denatured alcohol (use protective gloves and eye protection). Lubricate the roller clutch with Mobil-1® 5W-30 synthetic oil. Do not substitute other lubricants.



TRAXXAS.COM

KC1007-R01 121217

Traxxas, 1100 Klein Road, Plano, TX 75074, Phone: 972-265-8000, Fax: 972-265-8011