



Front and Roof LED Light Bar Installation Instructions

Covers Parts #9789

Kit Contents:

- Roof LED light bar
- Front LED light bar
- Ford® Bronco® front LED light bar mount
- Land Rover® Defender® roof LED light bar mount (left & right)
- Defender front grille / front LED light bar mount
- Y-harness (for LED roof light bar)
- 2.6x15mm BCS (self-tapping) (2)

- 2x6mm CCS (2)
- Zip ties (3)
- Zip tie mounts (2)

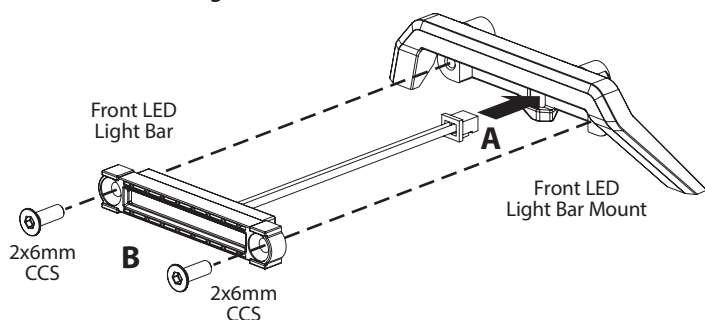
Tools needed (sold separately):

- 2mm hex wrench
- 1.5mm hex wrench
- Body reamer (part #3433 or #3433X)
- Side cutters (to trim zip ties)

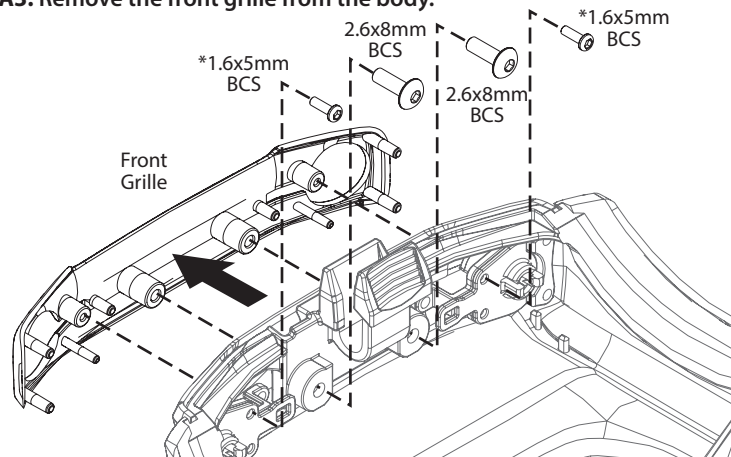
A. FORD BRONCO FRONT LED LIGHT BAR INSTALLATION

A1. Thread the front LED light bar wiring connector through the front light bar mount (A).

A2. Attach the LED light bar to the mount (B).

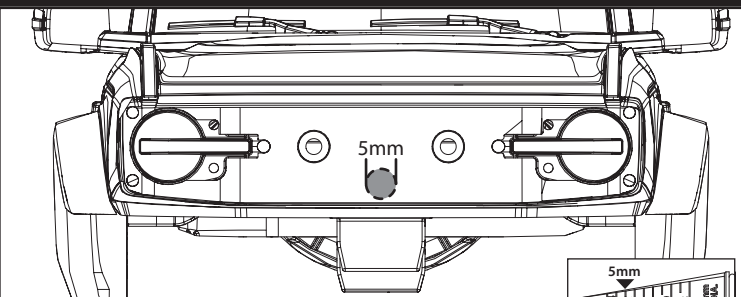


A3. Remove the front grille from the body.



**Note: Retain and reuse the 1.6x5mm BCS.*

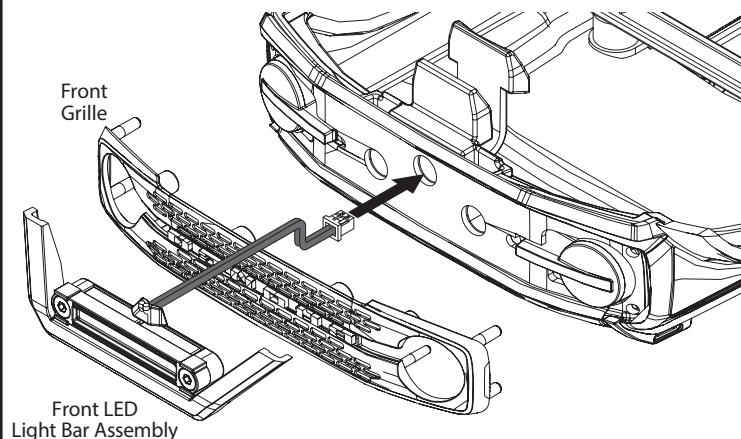
If the #9783 light kit was previously installed on the body, retain and reuse the 1.6x7mm BCS from that kit.



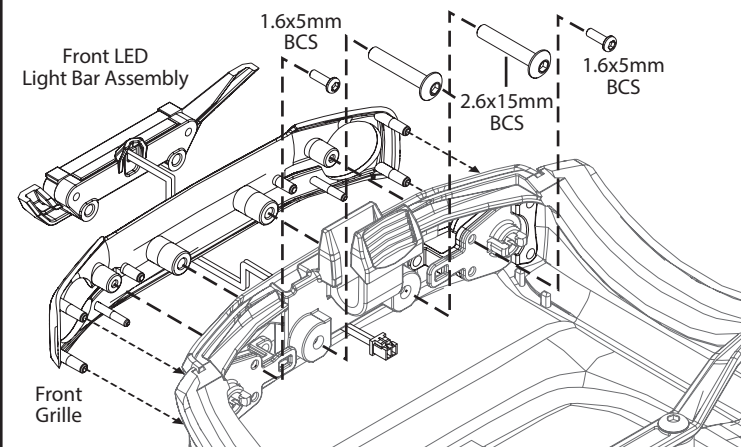
A4. Use a tapered body reamer to carefully cut a 5mm hole in the center of the body front as shown.

Note: To avoid damage to the body frame, gently flex the frame away from the front underside of the vehicle body.

A5. Thread the wiring harness connector from the front LED light bar through the 5mm hole.

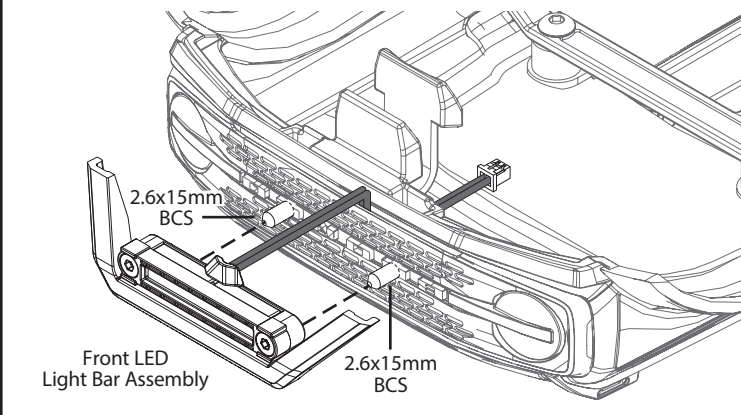


A6. Reinstall the front grille. Ensure that no wires are pinched between the vehicle body and the front grille before tightening screws.



Note: The 2.6x15mm BCS will break through the grille during installation. Once the screws push through, clean away any plastic debris, and hold the light bar firmly against the grill while tightening the screws.

A7. Attach the front light bar assembly to the front grille by aligning the assembly with the 2.6x15mm BCS. Hold the light bar firmly against the grill while tightening the screws.



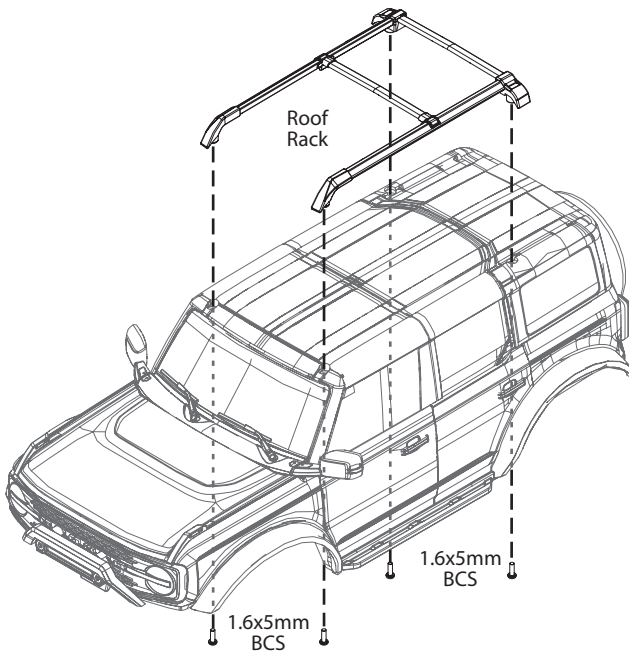
If you have questions or need technical assistance, call Traxxas at

1-888-TRAXXAS

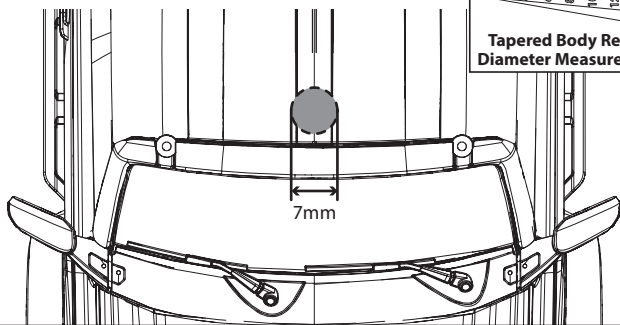
(1-888-872-9927) (U.S. residents only)

B. FORD BRONCO ROOF LED LIGHT BAR INSTALLATION

B1. Remove the roof rack from the body. *Retain and reuse the screws.*



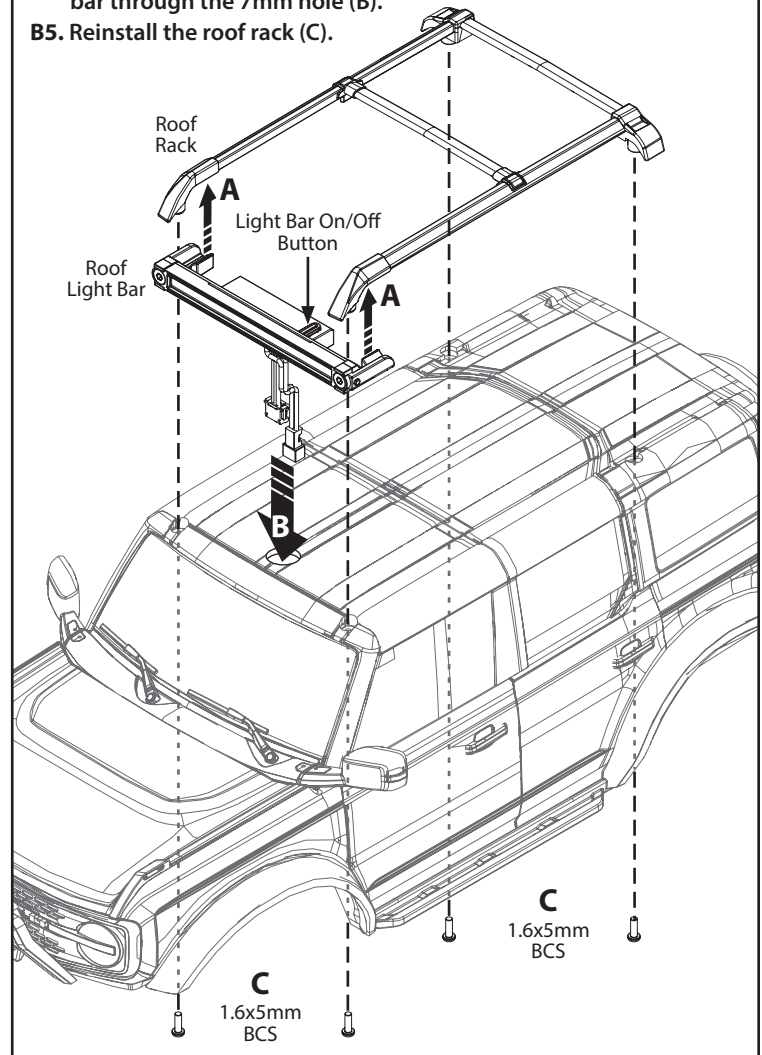
B2. Use a tapered body reamer to carefully cut a 7mm hole in the front of the roof as shown.



B3. Fit LED roof light bar into roof rack (A).

B4. Thread the wiring harness connector from the light bar through the 7mm hole (B).

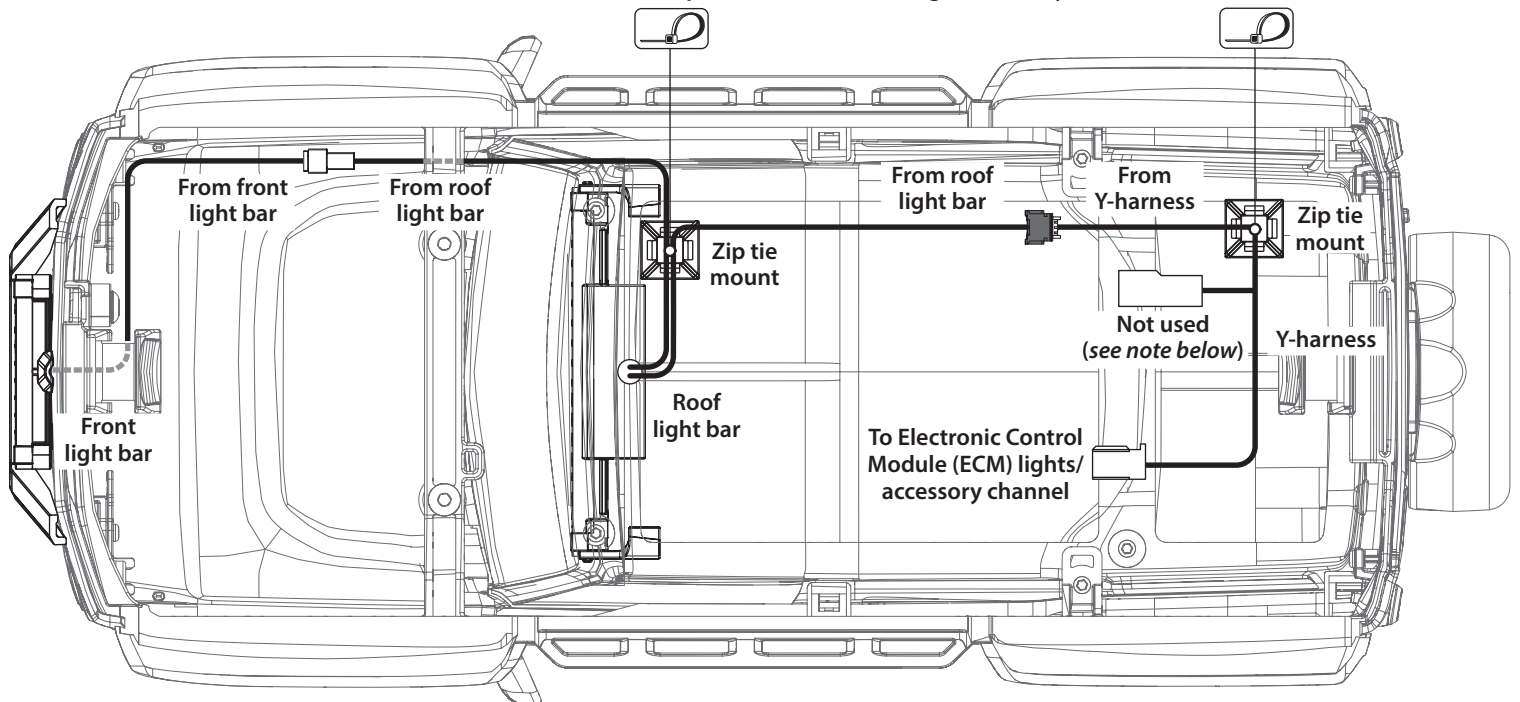
B5. Reinstall the roof rack (C).



FORD BRONCO WIRING DIAGRAM

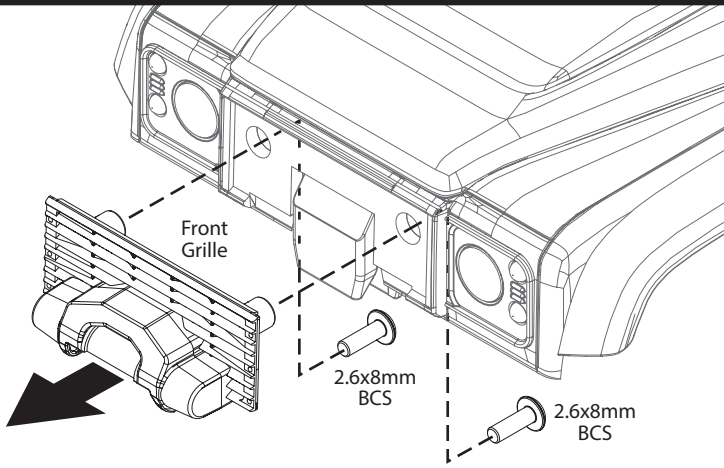
BODY UNDERSIDE VIEW

Use zip ties to secure all wiring to the body in the locations shown.



Note: If the #9783 body light kit has been installed on the body, plug the #9783 connector into the included Y-harness.

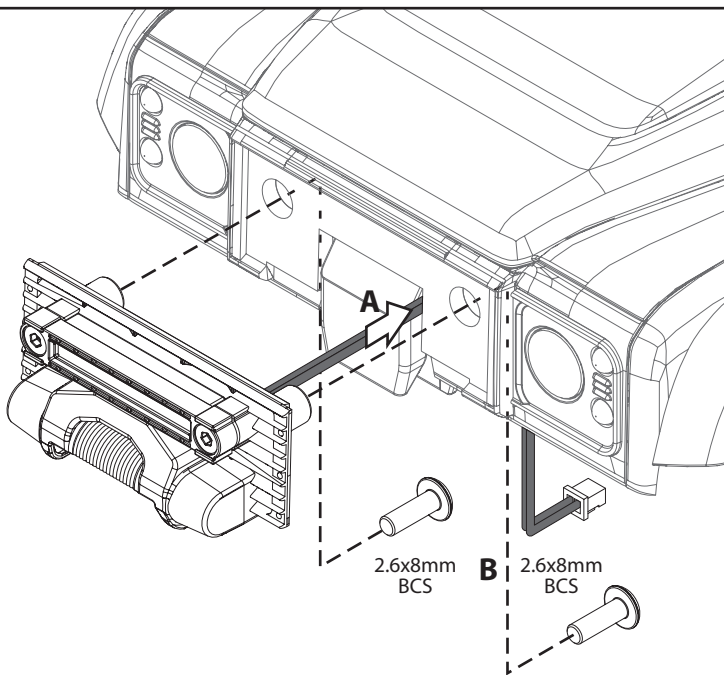
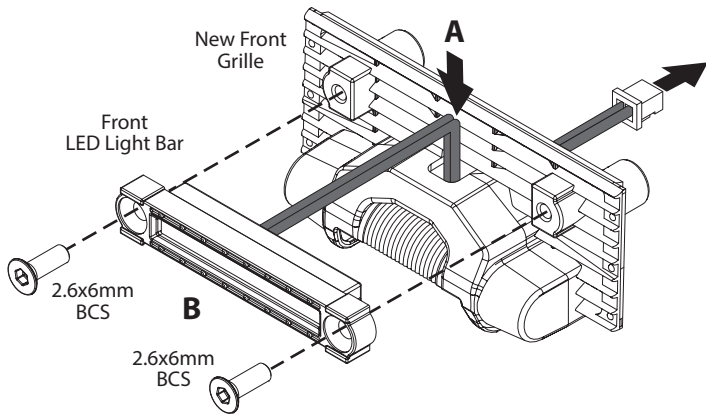
A. LAND ROVER DEFENDER FRONT LED LIGHT BAR INSTALLATION



A1. Remove the existing front grille from the body. *Retain and reuse the screws.*

A2. Thread the front LED light bar wiring harness connector through the hole in the center of the included front grille (A).

A3. Attach the LED light bar to the included front grille (B).

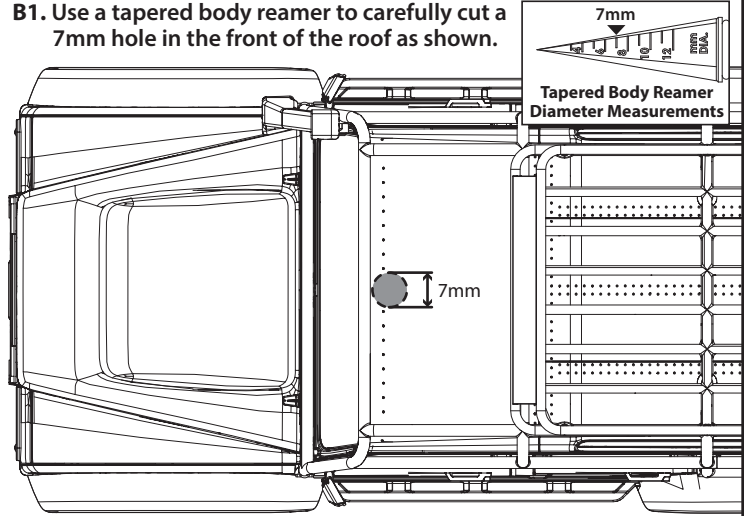


A4. Route the wire harness from the front LED light bar in the slot between the body latch and the truck body (A).

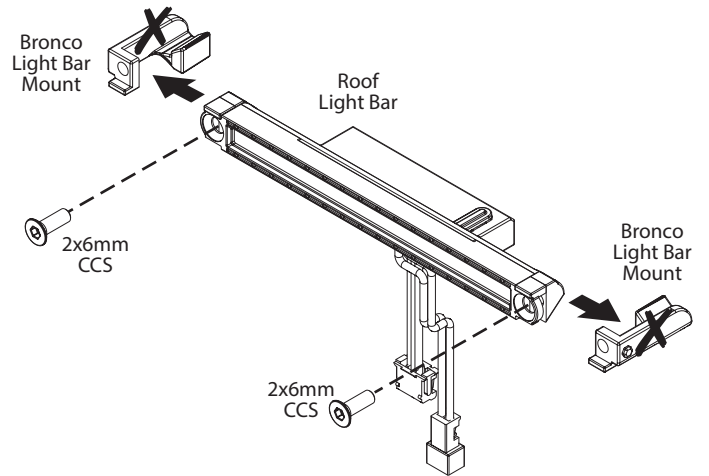
A5. Attach the new front grille/light bar mount to the vehicle body (B). *Ensure that no wires are pinched between the vehicle body and the front grille before tightening the screws.*

B. LAND ROVER DEFENDER ROOF LED LIGHT BAR INSTALLATION

B1. Use a tapered body reamer to carefully cut a 7mm hole in the front of the roof as shown.

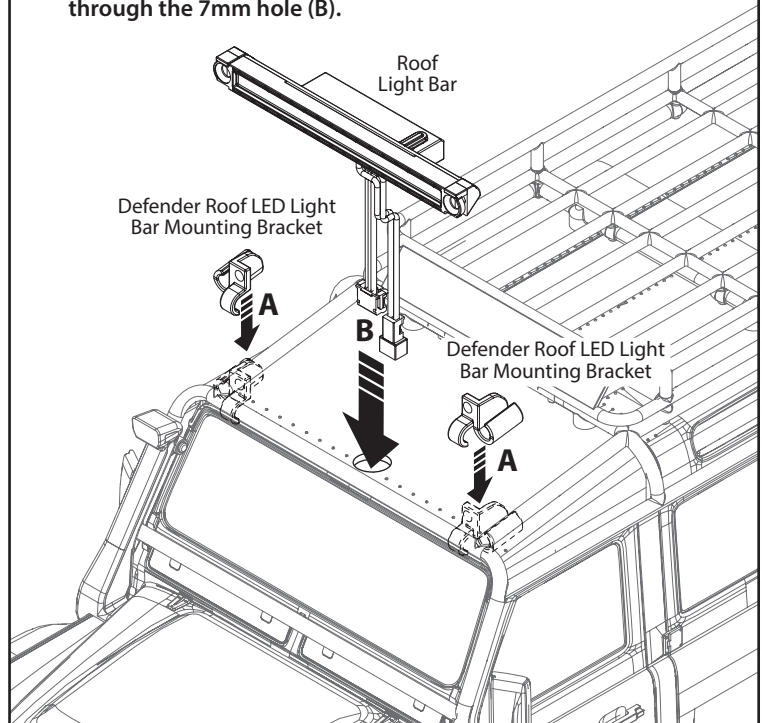


B2. Remove the Bronco light bar mounts from the roof light bar. *Retain and reuse the screws.*

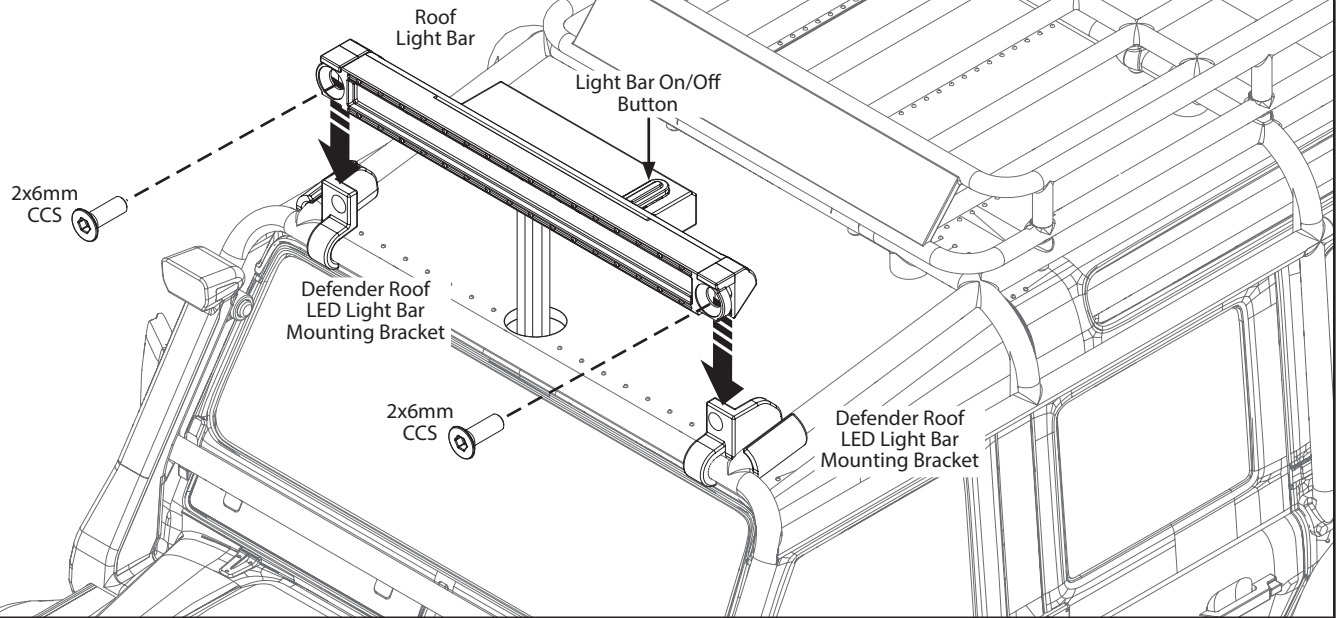


B3. Snap the left and right roof light bar mounting brackets onto the ExoCage (A).

B4. Thread the wiring harness connector from the roof LED light bar through the 7mm hole (B).



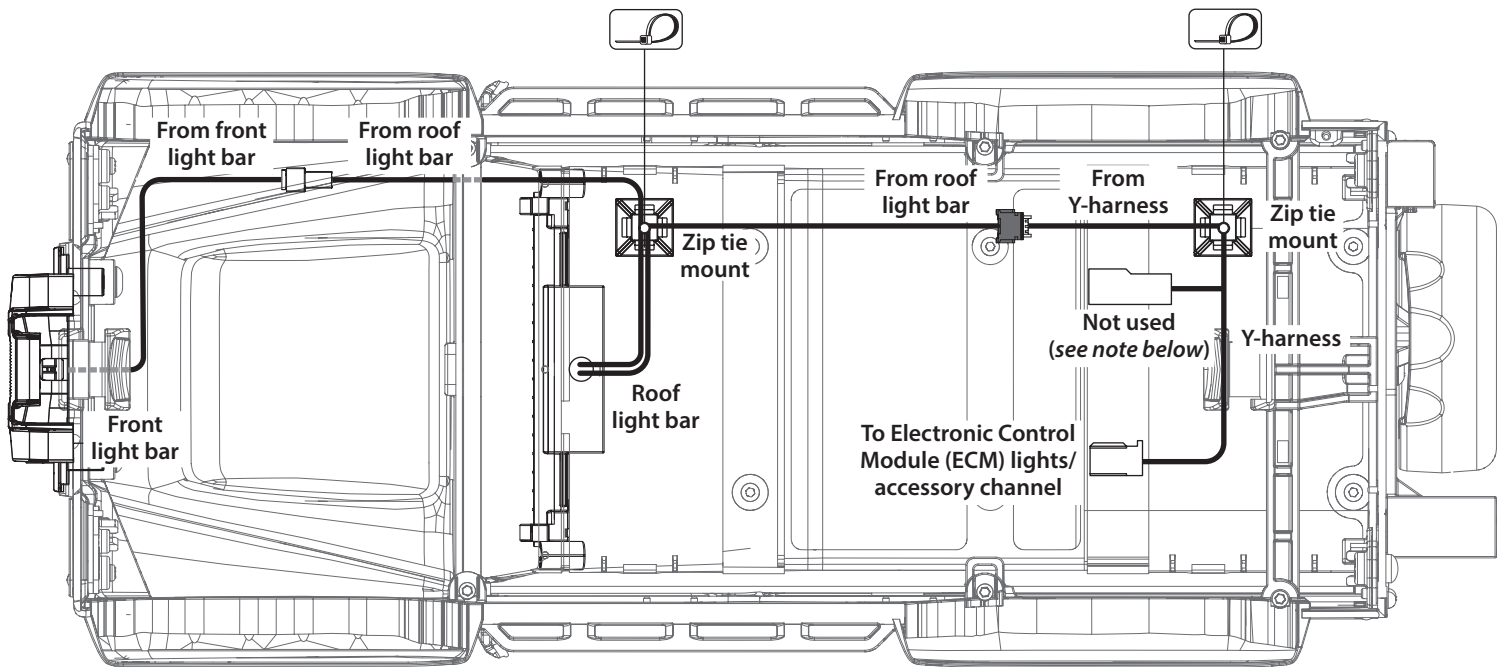
B5. Attach the roof light bar to the mounting brackets.



LAND ROVER DEFENDER WIRING DIAGRAM

BODY UNDERSIDE VIEW

Use zip ties to secure all wiring to the body in the locations shown.



Note: If the #9784 body light kit has been installed on the body, plug the #9784 connector into the included Y-harness.

WARRANTY

Warranty Information

Traxxas electronic components are warranted to be free from defects in materials and workmanship for a period of 30 days from the date of purchase.

Limitations: Any and all warranty coverage does not cover replacement of parts and components damaged by abuse, neglect, improper or unreasonable use, crash damage, water or excessive moisture, chemical damage, improper or infrequent maintenance, accident, unauthorized alteration or modification or items that are considered consumable. Traxxas will not pay for the cost of shipping or transportation of a defective component to us.

Land Rover® and Defender® are trademarks of Jaguar Land Rover Limited.
All copyrights and trademarks are used by Traxxas under license.

Traxxas Lifetime Electronics Warranty

After the expiration date of the warranty period, Traxxas will repair electronic components for a flat rate. The covered repairs are limited to non-mechanical components that have NOT been subjected to abuse, misuse, or neglect. Products damaged by intentional abuse, misuse, or neglect may be subject to additional charges. Traxxas liability, in no case, shall be greater than the actual purchase price of this product. For replacement, product must be returned in brand new condition, with packaging and itemized sales receipt.

Ford® and Bronco® are trademarks of Ford Motor Company.
All copyrights and trademarks are used by Traxxas under license.

TRAXXAS.COM

Traxxas, 6250 Traxxas Way, McKinney, TX 75070, Phone: 972-549-3000, Fax: 972-549-3011, e-mail: support@Traxxas.com