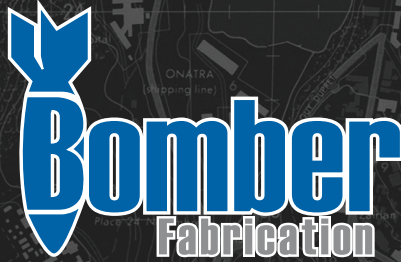




INSTRUCTION MANUAL  
AXI03016T1/T2



# RR10™ BOMBER

1/10th SCALE ELECTRIC 4WD RTR

ROCK RACER SERIES



HORIZON  
H O B B Y

## NOTICE

All instructions, warranties and other collateral documents are subject to change at the sole discretion of Horizon Hobby, LLC. For up-to-date product literature, visit [horizonhobby.com](http://horizonhobby.com) or [towerhobbies.com](http://towerhobbies.com) and click on the support or resources tab for this product.


## MEANING OF SPECIAL LANGUAGE

The following terms are used throughout the product literature to indicate various levels of potential harm when operating this product:

**WARNING:** Procedures, which if not properly followed, create the probability of property damage, collateral damage, and serious injury OR create a high probability of superficial injury.

**CAUTION:** Procedures, which if not properly followed, create the probability of physical property damage AND a possibility of serious injury.

**NOTICE:** Procedures, which if not properly followed, create a possibility of physical property damage AND a little or no possibility of injury.

 **WARNING:** Read the ENTIRE instruction manual to become familiar with the features of the product before operating. Failure to operate the product correctly can result in damage to the product, personal property and cause serious injury. This is a sophisticated hobby product. It must be operated with caution and common sense and requires some basic mechanical ability. Failure to operate this Product in a safe and responsible manner could result in injury or damage to the product or other property. This product is not intended for use by children without direct adult supervision. Do not use with incompatible components or alter this product in any way outside of the instructions provided by Horizon Hobby, LLC. This manual contains instructions for safety, operation and maintenance. It is essential to read and follow all the instructions and warnings in the manual, prior to assembly, setup or use, in order to operate correctly and avoid damage or serious injury.


**Age Recommendation: Not for children under 14 years. This is not a toy.**

## SAFETY PRECAUTIONS AND WARNINGS

As the user of this product, you are solely responsible for operating in a manner that does not endanger yourself and others or result in damage to the product or property of others.

This model is controlled by a radio signal subject to interference from many sources outside your control. This interference can cause momentary loss of control, so it is advisable to always keep a safe distance in all directions around your model as this margin will help avoid collisions or injury.

- Never operate your model with low transmitter batteries.
- Always operate your model in open spaces away from full-size vehicles, traffic and people.
- Never operate the model in the street or in populated areas for any reason.
- Carefully follow the directions and warnings for this and any optional support equipment (chargers, rechargeable battery packs, etc.) you use.
- Keep all chemicals, small parts and anything electrical out of the reach of children.
- Never lick or place any portion of the model in your mouth as it could cause serious injury or even death.
- Exercise caution when using tools and sharp instruments.
- Take care during maintenance as some parts may have sharp edges.
- Immediately after using your model, do NOT touch equipment such as the motor, electronic speed control and battery, because they generate high temperatures. You may burn yourself seriously touching them.
- Do not put fingers or any objects inside rotating and moving parts, as this may cause damage or serious injury.
- Always turn on your transmitter before you turn on the receiver in the car. Always turn off the receiver before turning your transmitter off.
- Keep the wheels of the model off the ground when checking the operation of the radio equipment.

 **WARNING AGAINST COUNTERFEIT PRODUCTS:** Always purchase from a Horizon Hobby, LLC authorized dealer to ensure authentic high-quality Spektrum product. Horizon Hobby, LLC disclaims all support and warranty with regards, but not limited to, compatibility and performance of counterfeit products or products claiming compatibility with DSM® or Spektrum technology.

## TABLE OF CONTENTS


Water-resistant Vehicle with Waterproof Electronics .....	3	DYNS2210 WP 60A FWD/REV Brushed ESC .....	10
box Contents .....	4	Gear Ratios .....	11
Required Equipment .....	4	Troubleshooting .....	11
recommended tools .....	4	Notes .....	11
Getting started checklist .....	5	Limited Warranty .....	12
Vehicle parts .....	5	Warranty and Service Contact Information .....	12
Charge the vehicle battery .....	6	FCC Information .....	13
Install the transmitter batteries .....	6	IC Information .....	13
Transmitter functions .....	6	Compliance Information for the European Union .....	13
Adjusting the battery tray .....	7	Parts reference .....	50
Install the vehicle battery .....	7	Exploded views .....	55
Binding .....	8	Parts lists .....	59
Range-checking the radio system .....	8	Electronics .....	61
vehicle maintenance .....	9		

## WATER-RESISTANT VEHICLE WITH WATERPROOF ELECTRONICS

Your new Horizon Hobby vehicle has been designed and built with a combination of waterproof and water-resistant components to allow you to operate the product in many “wet conditions,” including puddles, creeks, wet grass, snow and even rain.

While the entire vehicle is highly water-resistant, it is not completely waterproof and your vehicle should NOT be treated like a submarine. The various electronic components used in the vehicle, such as the Electronic Speed Control (ESC), servo(s) and receiver are waterproof, however, most of the mechanical components are water-resistant and should not be submerged.

Metal parts, including the bearings, hinge pins, screws and nuts, as well as the contacts in the electrical cables, will be susceptible to corrosion if additional maintenance is not performed after running in wet conditions. To maximize the long-term performance of your vehicle and to keep the warranty intact, the procedures described in the “Wet Conditions Maintenance” section below must be performed regularly if you choose to run in wet conditions. If you are not willing to perform the additional care and maintenance required, then you should not operate the vehicle in those conditions.


 **CAUTION:** Failure to exercise caution while using this product and complying with the following precautions could result in product malfunction and/or void the warranty.

### GENERAL PRECAUTIONS

- Read through the wet conditions maintenance procedures and make sure that you have all the tools you will need to properly maintain your vehicle.
- Not all batteries can be used in wet conditions. Consult the battery manufacturer before use. Caution should be taken when using Li-Po batteries in wet conditions.
- Most transmitters are not water-resistant. Consult your transmitter’s manual or the manufacturer before operation.
- Never operate your transmitter or vehicle where lightning may be present.
- Do not operate your vehicle where it could come in contact with salt water (ocean water or water on salt-covered roads), contaminated or polluted water. Salt water is very conductive and highly corrosive, so use caution.
- Even minimal water contact can reduce the life of your motor if it has not been certified as water-resistant or waterproof. If the motor becomes excessively wet, apply very light throttle until the water is mostly removed from the motor. Running a wet motor at high speeds may rapidly damage the motor.
- Driving in wet conditions can reduce the life of the motor. The additional resistance of operating in water causes excess strain. Alter the gear ratio by using a smaller pinion or larger spur gear. This will increase torque (and motor life) when running in mud, deeper puddles, or any wet conditions that will increase the load on the motor for an extended period of time.

### WET CONDITIONS MAINTENANCE

- Drain any water that has collected in the tires by spinning them at high speed. With the body removed, place the vehicle upside down and pull full throttle for a few short bursts until the water has been removed.

 **CAUTION:** Always keep hands, fingers, tools and any loose or hanging objects away from rotating parts when performing the above drying technique.

- Remove the battery pack(s) and dry the contacts. If you have an air compressor or a can of compressed air, blow out any water that may be inside the recessed connector housing.
- Remove the tires/wheels from the vehicle and gently rinse the mud and dirt off with a garden hose. Avoid rinsing the bearings and transmission.

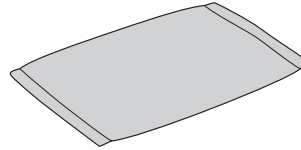
**NOTICE:** Never use a pressure washer to clean your vehicle.

- Use an air compressor or a can of compressed air to dry the vehicle and help remove any water that may have gotten into small crevices or corners.
- Spray the bearings, drive train, fasteners and other metal parts with a water-displacing light oil. Do not spray the motor.
- Let the vehicle air dry before you store it. Water (and oil) may continue to drip for a few hours.
- Increase the frequency of disassembly, inspection and lubrication of the following:
  - Front and rear axle hub assembly bearings.
  - All transmission cases, gears and differentials.
  - Motor—clean with an aerosol motor cleaner and re-oil the bushings with lightweight motor oil.

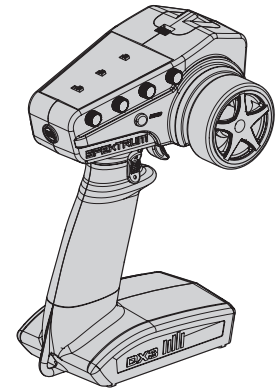
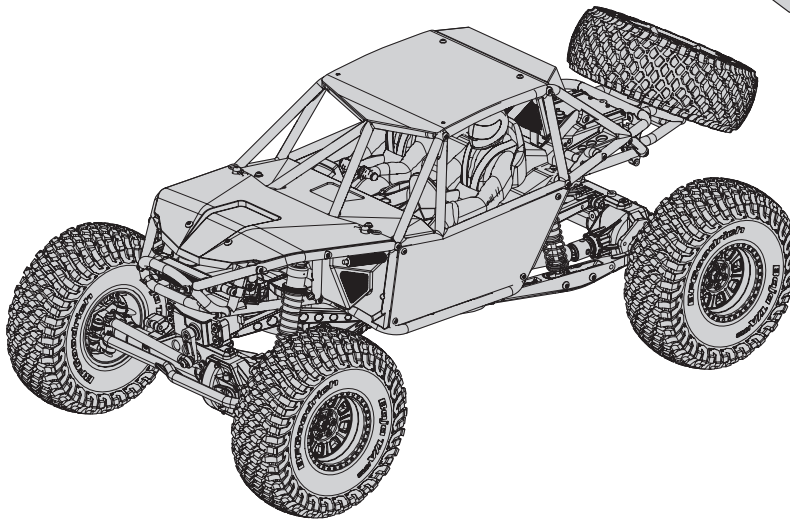
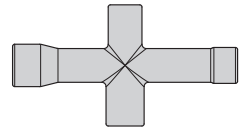
## BOX CONTENTS

- Spektrum™ DX3™ 2.4GHz Transmitter (SPMS2340T)
- AX103016 - RR10™ Bomber 1/10th 4WD RTR
  - SR315 3CH Receiver (SPMSR315)
  - S614 15KG Servo (SPMS614)
  - 35T Brushed Motor (AX31312)
  - AE-5L ESC w/LED (DYNS2213)

- Parts Bag

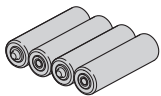


- Cross Wrench

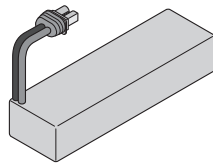


## REQUIRED EQUIPMENT

- (4) AA Alkaline batteries

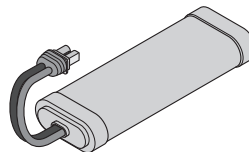


- 3s LiPo Battery

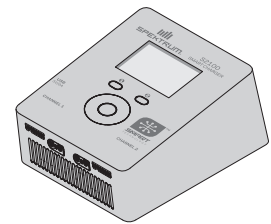


- 5-9 Cell NiMH/NiCd battery  
(IC3™ Connector Required)

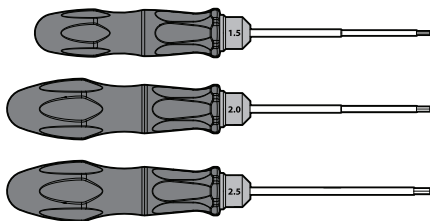
OR



- Battery charger compatible with the chosen vehicle battery type



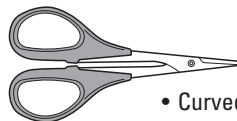
## RECOMMENDED TOOLS



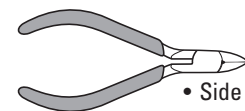
- Hex Drivers (1.5, 2.0, 2.5mm)



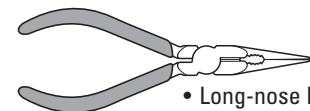
- Hobby Knife



- Curved Scissors



- Side Cutter



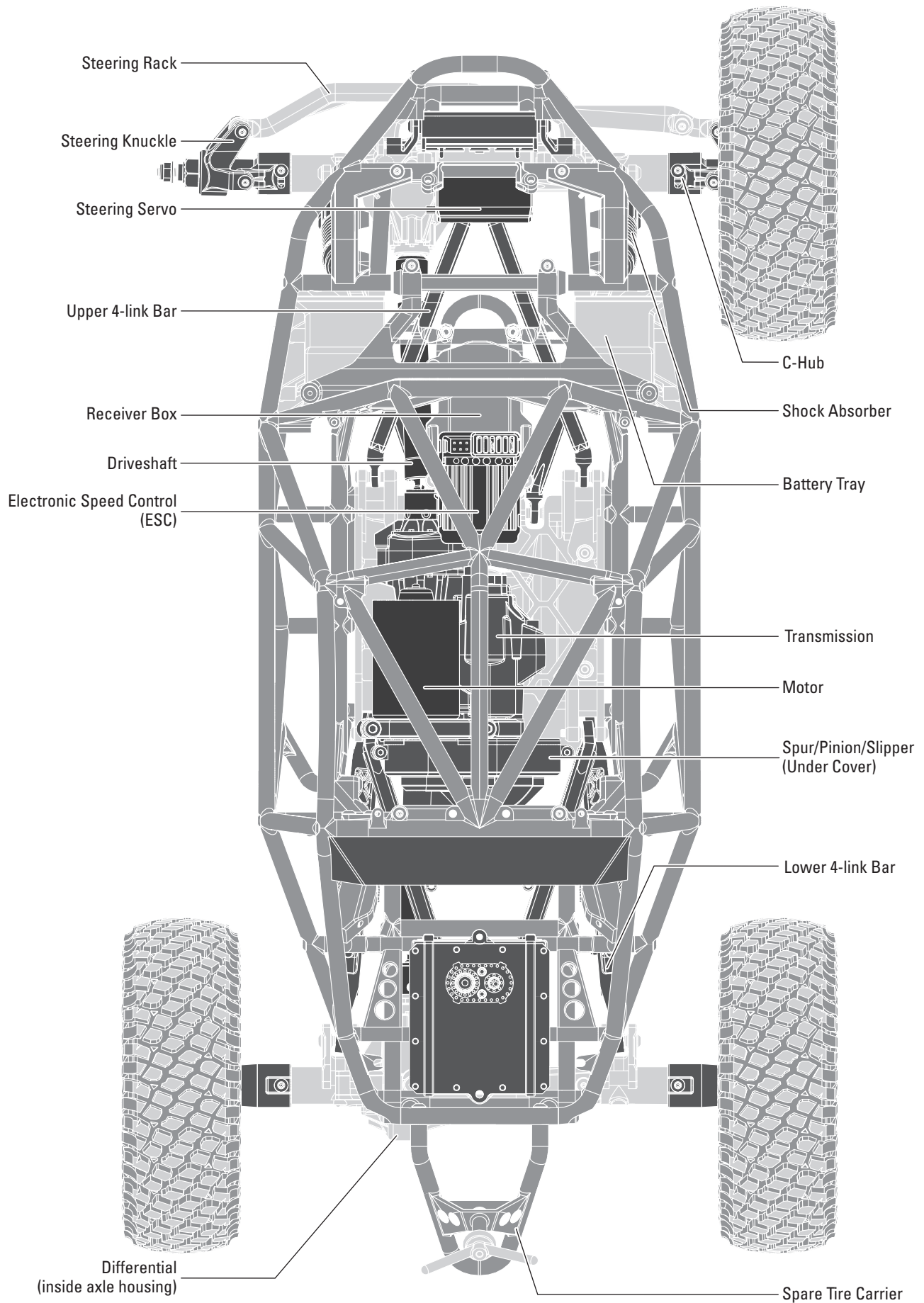
- Long-nose Plier

## GETTING STARTED CHECKLIST

<input type="checkbox"/>	Read the manual
<input type="checkbox"/>	Familiarize yourself with the vehicle and its components
<input type="checkbox"/>	Check all screws, especially the driveshaft setscrews, for tightness from the factory
<input type="checkbox"/>	Charge the vehicle battery
<input type="checkbox"/>	Install 4 AA batteries in the transmitter

<input type="checkbox"/>	Power on the transmitter
<input type="checkbox"/>	Install the vehicle battery in the vehicle
<input type="checkbox"/>	Check for proper function of the throttle and steering
<input type="checkbox"/>	Range check the radio system
<input type="checkbox"/>	Drive the vehicle, challenge yourself and have FUN!
<input type="checkbox"/>	Perform any necessary vehicle maintenance

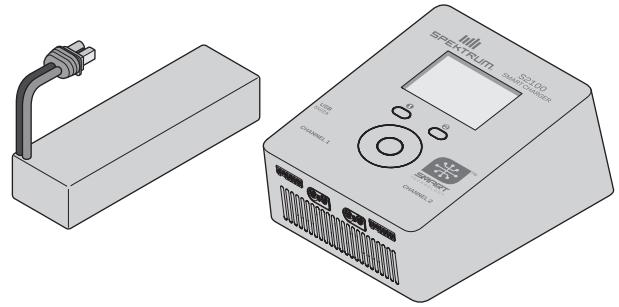
# VEHICLE PARTS



## CHARGE THE VEHICLE BATTERY

Follow the manufacturer's directions for your charger to properly charge the vehicle battery.

**CAUTION:** Only use chargers designed to charge the chosen battery type. Using an incorrect charger or incorrect charger settings could result in a fire causing personal injury or damage to property.



## INSTALL THE TRANSMITTER BATTERIES

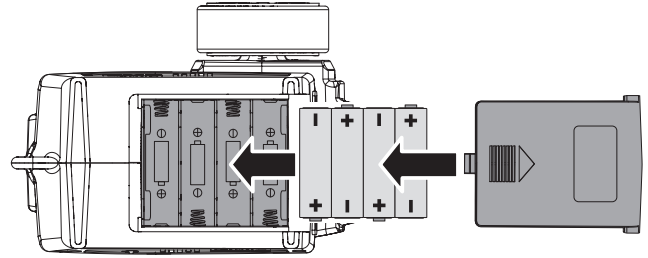
This transmitter requires 4 AA batteries.

1. Remove the battery cover from the transmitter.
2. Install the batteries as shown.
3. Install the battery cover.

**CAUTION:** NEVER remove the transmitter batteries while the model is powered on. Loss of model control, damage, or injury may occur.

**CAUTION:** If using rechargeable batteries, charge only rechargeable batteries. Charging non-rechargeable batteries may cause the batteries to burst, resulting in injury to persons and/or damage to property.

**CAUTION:** Risk of explosion if battery is replaced by an incorrect type. Dispose of used batteries according to national regulations.



## TRANSMITTER FUNCTIONS

### A. Servo Reversing

To reverse the Throttle (TH) or Steering (ST) channel, switch the position of the correlating switch—"N" is for normal, "R" is for reverse.

### B. Throttle Trim

Adjusts the throttle neutral point

### C. Steering Trim

Adjusts the steering center point. Normally, the steering trim is adjusted until the vehicle tracks straight.

### D. Brake Rate

Adjust Brake rate. (For use with AVC Rx's)

### E. Steering Rate

Adjusts the end point of the steering

### F. Indicator Lights

- Solid red lights: Indicates radio connectivity and adequate battery power
- Flashing red lights: Indicates the battery voltage is critically low. Replace batteries

### G. Throttle Limit

Limits throttle output to 50/75/100%

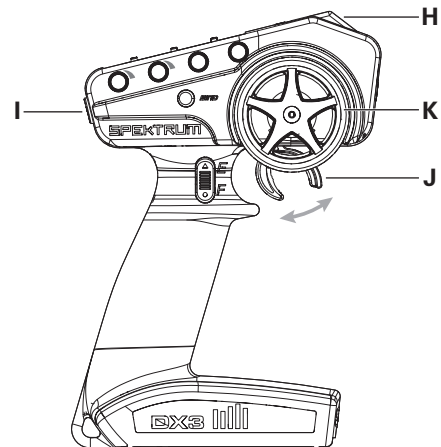
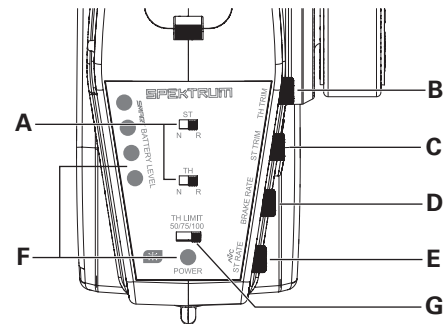
Select 50% or 75% for less experienced drivers or when you are driving the vehicle in a small area.

### H. Antenna

### I. Power Button

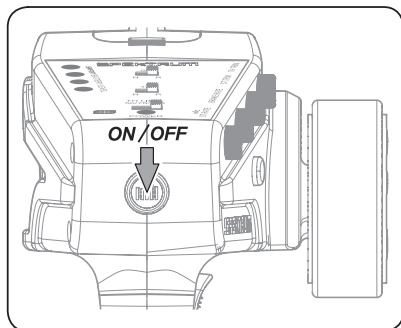
### J. Throttle/Brake

### K. Steering Wheel

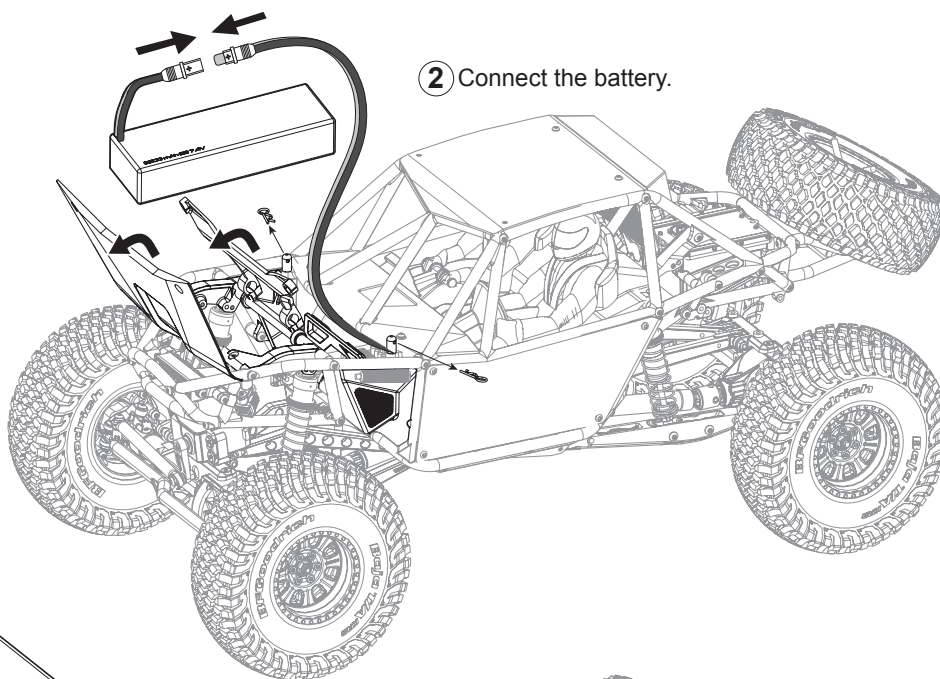


# INSTALLARE LA BATTERIA DEL VEICOLO

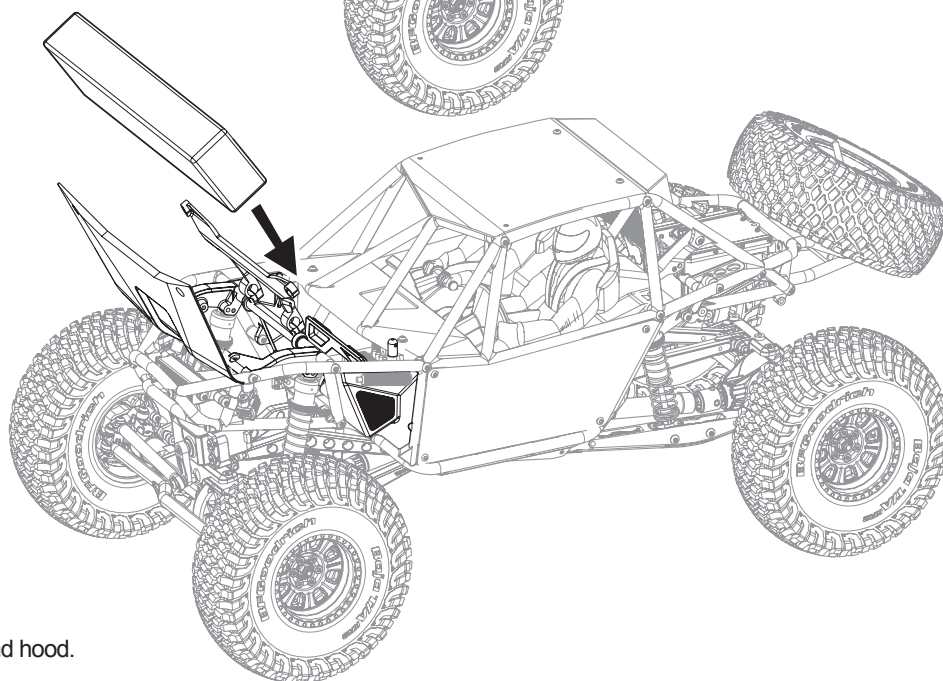
① Turn on the transmitter.



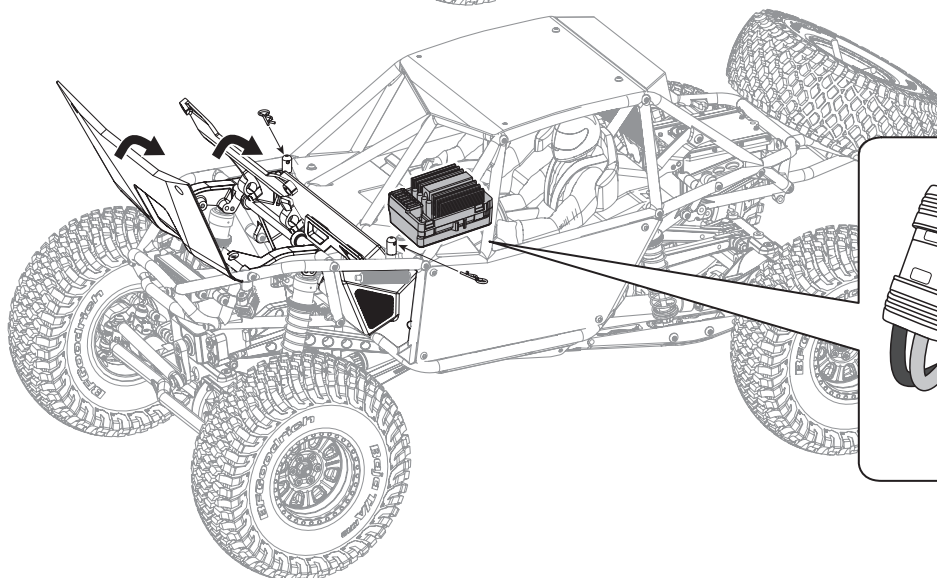
② Connect the battery.



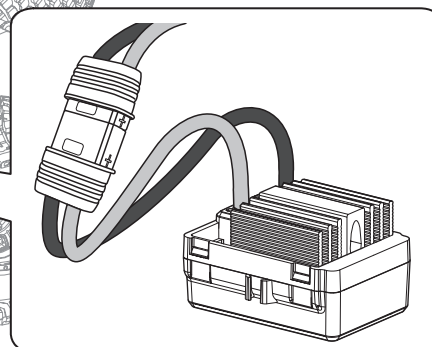
③ Install the battery



④ Close the battery tray and hood.



Note:  
Power to the vehicle is controlled  
by connecting / disconnecting the  
battery.



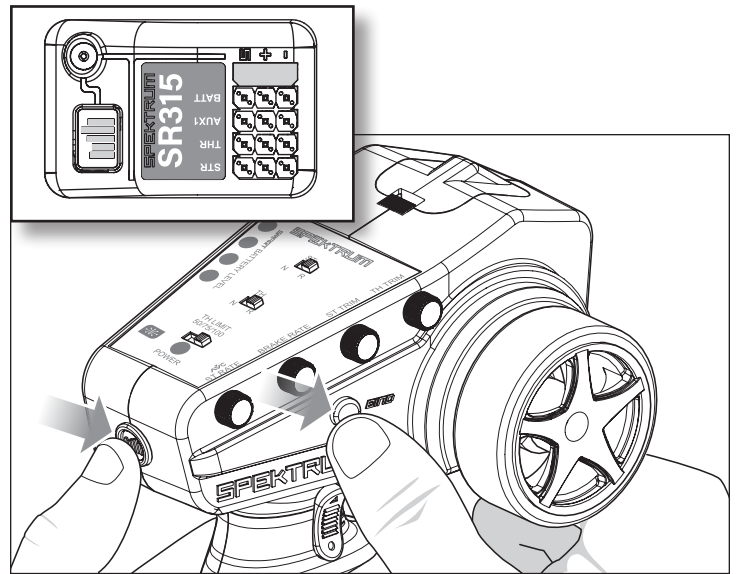
## BINDING

Binding is the process of programming the receiver to recognize the GUID (Globally Unique Identifier) code of a single specific transmitter. The SPM2340 transmitter and SR315 receiver are bound from the factory. If you need to rebind, follow the instructions below.

1. Connect a fully charged battery pack to the ESC.
2. Center ST Trim and TH TRIM dials on the transmitter.
3. Power on the ESC.
4. Press the button on the SR315 to start bind mode. LED on SR315 will flash.
5. While holding Bind button on the Transmitter, press Power Button to power on the Transmitter. Release bind button when LED on SR315 stops flashing.
6. Vehicle is ready to operate.

You must rebind when:

- Different failsafe positions are desired e.g., when throttle or steering reversing has been changed.
- Binding the receiver to a different transmitter.



## RANGE-CHECKING THE RADIO SYSTEM

The radio system should be checked before operating the vehicle to ensure proper operation and adequate range.

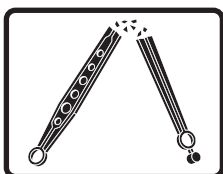
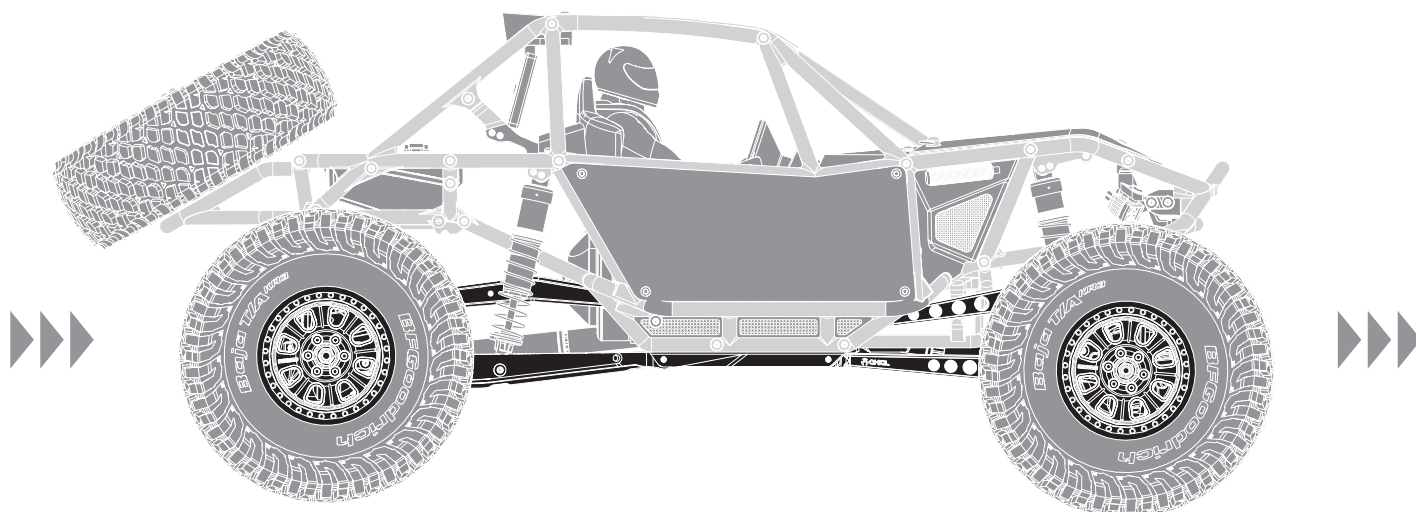
1. Turn on the transmitter.
2. Connect the battery in the vehicle.
3. Have a friend hold the vehicle while keeping hands and loose clothing away from moving parts.
4. Walk away until you are at the maximum planned operating distance from the vehicle.
5. Turn the steering wheel side to side and operate the throttle, both forward and reverse, checking for any erratic behavior.
6. If any erratic behavior is exhibited, DO NOT operate the vehicle. Call customer service for assistance.



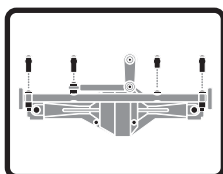


## MAINTAINING YOUR VEHICLE

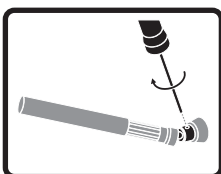
Just like a full size car or truck your RC vehicle must undergo periodic maintenance in order to ensure peak running performance. Preventative maintenance will also help avoid needless breakages which could result in costly repairs. Below are some suggestions to properly maintain your vehicle.



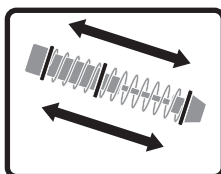
Replace any noticeable bent or broken parts



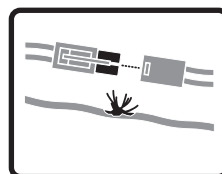
Check for wear on the ball joints in the steering and suspension links (replace if necessary)



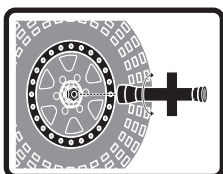
Check driveshaft set screws and apply thread locking compound if necessary



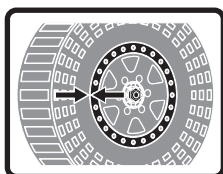
Inspect shock absorbers for smooth dampened operation



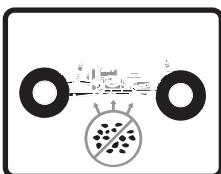
Check for any loose connections or frayed wiring



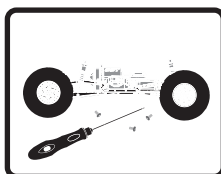
Check the wheel nuts for tightness



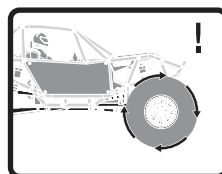
Ensure the wheel beads are still firmly bonded around the entire circumference of the rim



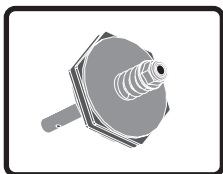
Keep the chassis free of dirt and debris



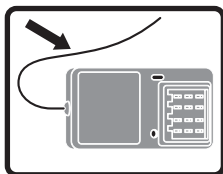
Check for loose screws on the chassis, especially the knuckle, C-hub and axle lockout screws



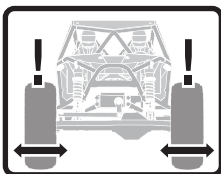
Check the driveline for smooth, bind free operation



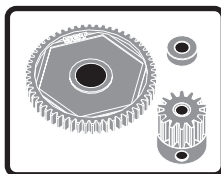
If applicable, check the slipper clutch for proper operation



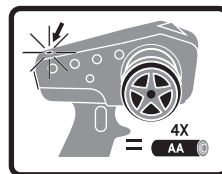
Check the receiver antenna for damage



Check the steering operation for any binding

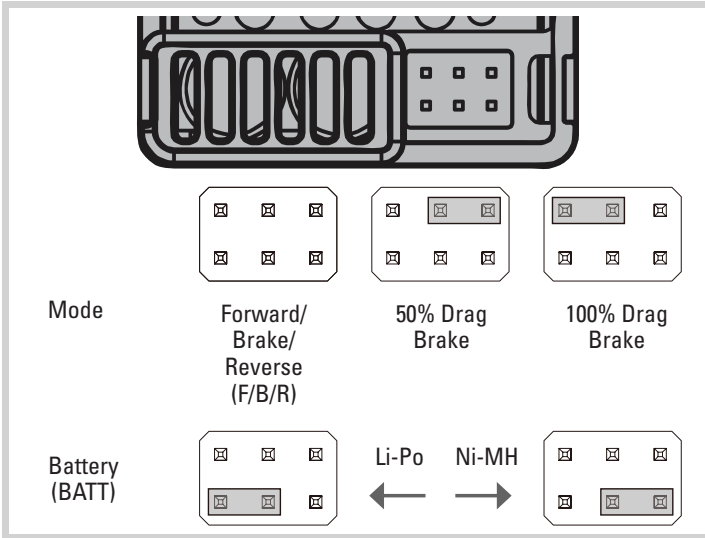
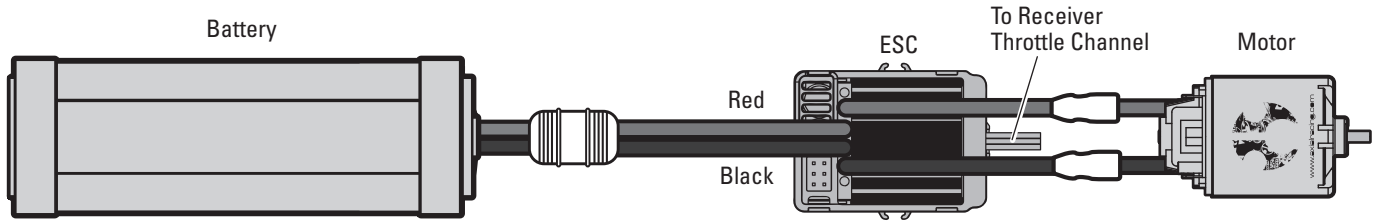


Inspect the spur and pinion gears for damage



Replace the transmitter batteries when indicated by the transmitter, as described in the Transmitter Functions section

# DYNS2213 FORWARD/REVERSE ESC WITH DRAG BRAKE



SPECIFICATIONS	
Type	Brushed
Constant/Peak	60A/360A
Resistance	0.0008 Ohms
Function	Forward/Brake/Reverse, Forward/Brake, Forward/Reverse (Crawler Mode)
Vehicle Type	1/10 on-road and off-road; 1/10 rock crawler
Operation	Proportional forward, proportional reverse with braking delay, Crawler Mode
Battery Type/Input Voltage	2-3 cell Li-Po/Li-Fe; 5-7 cell Ni-MH/Ni-Cd
Motor Type	540-/550-size closed endbell motors: 2S Li-Po down to 12T; 3S Li-Po down to 35T
BEC Output	6V/3A
Overload Protection	Thermal
Dimensions	35.6mm x 34mm x 18mm (1.40 in x 1.34 in x 0.71 in)
Weight	40 g (1.41 oz) with wires
Battery Connector	EC3™ connector
Motor Connector	3.5mm Tamiya-style Bullet

## SETUP

Throttle calibration should not be needed out of the box. However, in order to make the throttle range of different transmitters, the calibration of the ESC is necessary:

- Mount the ESC in an area that is well ventilated and isolated from vibration and shock.
- Connect the ESC motor wires to the motor red-to-red and black-to-black.
- Plug the receiver into the throttle channel of the receiver.
- Before plugging the battery into the ESC, make sure your transmitter is on and the throttle trim is set to zero.
- Connect the battery to the ESC. The vehicle will be powered on when the battery is connected.

LED INDICATOR		
OPERATION	LED STATUS	SOUND
Stop	OFF	
Forward partial throttle	Blinks	
Full Throttle	Solid	
Reverse	Blinks	
Partial Brake	Blinks	
Full Brake	Blinks	
Ni-MH/Ni-CD Battery		1 Short Beep
2S Li-Po Battery		2 Short Beeps
3S Li-Po Battery		3 Short Beeps
ESC Ready		1 Long Beep
Battery Low Voltage	Blinks	
Overheat	Blinks	

**CAUTION:** Keep all body parts and loose clothing away from any moving parts while the battery is connected to the ESC.

**CAUTION:** Always connect the ESC only to a proper power source that has the correct voltage and polarity. Incorrect voltages or reversed polarity will damage the ESC. Damage to the ESC caused by improper voltage or polarity is not covered under warranty.

- Test forward and reverse control using the transmitter.

To calibrate the ESC:

- Power the transmitter on and set the throttle control to neutral.
- Connect the battery to the ESC and wait 3 seconds to let the ESC initiate a self-test and automatic throttle calibration.
- The ESC is ready to run when a long beep sound is emitted from the motor.
- Always disconnect the battery when the vehicle is not in use.

## NOTES

- The LiPo cut-off is set to "ON" from the factory.

## GEAR RATIO

Use this equation to calculate the final drive ratio.

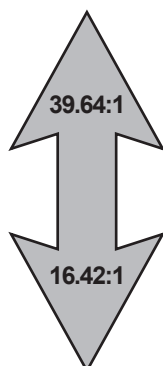
$$\text{Final Drive Gear Ratio} = (\text{Spur/Pinion}) \times 5.67$$

Mit dieser Gleichung können Sie die Gesamtübersetzung berechnen.

$$\text{Gesamtübersetzung} = (\text{Spur/Pinion}) \times 5.67$$

**Slower - More Torque**

Langsamer - Mehr Kraft



**Faster - Less Torque**

Schneller - Weniger Kraft

32 Pitch 38T/13T (Stock Gearing AX30392 or HD AX30395)				
	Spur Gear			
Pinion	56	60	64	68
11	28.85	30.91	32.97	35.03
12	26.44	28.33	30.22	32.11
13	24.41	26.15	27.90	29.64
14	22.67	24.88	25.90	27.52
15	21.15	22.67	24.18	25.69
16	19.83	21.25	22.67	24.08
17	18.67	20.00	21.33	22.67

32 Pitch 36T/14T (Overdrive HD Gearing AX30401)				
	Spur Gear			
Pinion	56	60	64	68
11	25.38	27.19	29.00	30.81
12	23.26	24.92	26.58	28.25
13	21.47	23.01	24.54	26.07
14	19.94	21.36	21.94	22.60
15	19.61	19.94	21.27	22.60
16	17.45	18.69	19.94	21.18
17	16.42	17.59	18.77	19.94

32 Pitch 43T/13T (Underdrive HD Gearing AX30402)				
	Spur Gear			
Pinion	56	60	64	68
11	32.64	34.97	37.31	39.64
12	29.92	32.06	34.20	36.33
13	27.62	29.59	31.57	33.54
14	25.65	27.48	29.31	31.14
15	23.94	25.65	27.36	29.07
16	22.44	24.04	25.65	27.25
17	21.12	22.63	24.14	25.65

## TROUBLESHOOTING

PROBLEM	POSSIBLE CAUSE	SOLUTION
Vehicle does not move	Batteries are not installed properly in the transmitter	Ensure the transmitter batteries are properly installed
	Weak or no battery in the vehicle	Install a freshly charged vehicle battery
	Damaged motor	Replace the motor
	Frayed or broken wiring	Replace any damaged wiring
	ESC is shut down by heat protection circuit	Allow the ESC to cool down completely
Loss of vehicle control	Improper antenna placement	Ensure the transmitter antenna is not blocked and the receiver antenna is located properly
	Weak or no batteries in the transmitter or vehicle	Install a freshly charged vehicle battery and new transmitter batteries
	Neutral or trim position is incorrect	Adjust the steering trim
	Receiver and/or battery not connected properly	Check all receiver and battery connections
Steering and/or throttle function is reversed	Servo travel is reversed at the transmitter	Set the transmitter servo reversing switch to the correct position
	Motor wires are not connected properly	Check all motor wires for correct polarity and secure connection

## LIMITED WARRANTY

### What this Warranty Covers

Horizon Hobby, LLC, (Horizon) warrants to the original purchaser that the product purchased (the "Product") will be free from defects in materials and workmanship for a period of 2 years from the date of purchase.

### What is Not Covered

This warranty is not transferable and does not cover (i) cosmetic damage, (ii) damage due to acts of God, accident, misuse, abuse, negligence, commercial use, or due to improper use, installation, operation or maintenance, (iii) modification of or to any part of the Product, (iv) attempted service by anyone other than a Horizon Hobby authorized service center, (v) Product not purchased from an authorized Horizon dealer, or (vi) Product not compliant with applicable technical regulations or (vii) use that violates any applicable laws, rules, or regulations.

OTHER THAN THE EXPRESS WARRANTY ABOVE, HORIZON MAKES NO OTHER WARRANTY OR REPRESENTATION, AND HEREBY DISCLAIMS ANY AND ALL IMPLIED WARRANTIES, INCLUDING, WITHOUT LIMITATION, THE IMPLIED WARRANTIES OF NON-INFRINGEMENT, MERCHANTABILITY AND FITNESS FOR A PARTICULAR PURPOSE. THE PURCHASER ACKNOWLEDGES THAT THEY ALONE HAVE DETERMINED THAT THE PRODUCT WILL SUITABLY MEET THE REQUIREMENTS OF THE PURCHASER'S INTENDED USE.

### Purchaser's Remedy

Horizon's sole obligation and purchaser's sole and exclusive remedy shall be that Horizon will, at its option, either (i) service, or (ii) replace, any Product determined by Horizon to be defective. Horizon reserves the right to inspect any and all Product(s) involved in a warranty claim. Service or replacement decisions are at the sole discretion of Horizon. Proof of purchase is required for all warranty claims. SERVICE OR REPLACEMENT AS PROVIDED UNDER THIS WARRANTY IS THE PURCHASER'S SOLE AND EXCLUSIVE REMEDY.

### Limitation of Liability

HORIZON SHALL NOT BE LIABLE FOR SPECIAL, INDIRECT, INCIDENTAL OR CONSEQUENTIAL DAMAGES, LOSS OF PROFITS OR PRODUCTION OR COMMERCIAL LOSS IN ANY WAY, REGARDLESS OF WHETHER SUCH CLAIM IS BASED IN CONTRACT, WARRANTY, TORT, NEGLIGENCE, STRICT LIABILITY OR ANY OTHER THEORY OF LIABILITY, EVEN IF HORIZON HAS BEEN ADVISED OF THE POSSIBILITY OF SUCH DAMAGES. Further, in no event shall the liability of Horizon exceed the individual price of the Product on which liability is asserted. As Horizon has no control over use, setup, final assembly, modification or misuse, no liability shall be assumed nor accepted for any resulting damage or injury. By the act of use, setup or assembly, the user accepts all resulting liability. If you as the purchaser or user are not prepared to accept the liability associated with the use of the Product, purchaser is advised to return the Product immediately in new and unused condition to the place of purchase.

### Law

These terms are governed by Illinois law (without regard to conflict of law principals). This warranty gives you specific legal rights, and you may also have other rights which vary from state to state. Horizon reserves the right to change or modify this warranty at any time without notice.

### WARRANTY SERVICES

#### Questions, Assistance, and Services

Your local hobby store and/or place of purchase cannot provide warranty support or service. Once assembly, setup or use of the Product has been started, you must contact your local distributor or Horizon directly. This will enable Horizon to better answer your questions and service you in the event that you may need any assistance. For questions or assistance,

please visit our website at [www.horizonhobby.com](http://www.horizonhobby.com), submit a Product Support Inquiry, or call the toll free telephone number referenced in the Warranty and Service Contact Information section to speak with a Product Support representative.

### Inspection or Services

If this Product needs to be inspected or serviced and is compliant in the country you live and use the Product in, please use the Horizon Online Service Request submission process found on our website or call Horizon to obtain a Return Merchandise Authorization (RMA) number. Pack the Product securely using a shipping carton. Please note that original boxes may be included, but are not designed to withstand the rigors of shipping without additional protection. Ship via a carrier that provides tracking and insurance for lost or damaged parcels, as Horizon is not responsible for merchandise until it arrives and is accepted at our facility. An Online Service Request is available at [http://www.horizonhobby.com/content/service-center\\_render-service-center](http://www.horizonhobby.com/content/service-center_render-service-center). If you do not have internet access, please contact Horizon Product Support to obtain a RMA number along with instructions for submitting your product for service. When calling Horizon, you will be asked to provide your complete name, street address, email address and phone number where you can be reached during business hours. When sending product into Horizon, please include your RMA number, a list of the included items, and a brief summary of the problem. A copy of your original sales receipt must be included for warranty consideration. Be sure your name, address, and RMA number are clearly written on the outside of the shipping carton.

**NOTICE:** Do not ship Li-Po batteries to Horizon. If you have any issue with a Li-Po battery, please contact the appropriate Horizon Product Support office.

### Warranty Requirements

For Warranty consideration, you must include your original sales receipt verifying the proof-of-purchase date. Provided warranty conditions have been met, your Product will be serviced or replaced free of charge. Service or replacement decisions are at the sole discretion of Horizon.

### Non-Warranty Service

Should your service not be covered by warranty, service will be completed and payment will be required without notification or estimate of the expense unless the expense exceeds 50% of the retail purchase cost. By submitting the item for service you are agreeing to payment of the service without notification. Service estimates are available upon request. You must include this request with your item submitted for service. Non-warranty service estimates will be billed a minimum of 1/2 hour of labor. In addition you will be billed for return freight. Horizon accepts money orders and cashier's checks, as well as Visa, MasterCard, American Express, and Discover cards. By submitting any item to Horizon for service, you are agreeing to Horizon's Terms and Conditions found on our website [http://www.horizonhobby.com/content/service-center\\_render-service-center](http://www.horizonhobby.com/content/service-center_render-service-center).

**ATTENTION:** Horizon service is limited to Product compliant in the country of use and ownership. If received, a non-compliant Product will not be serviced. Further, the sender will be responsible for arranging return shipment of the un-serviced Product, through a carrier of the sender's choice and at the sender's expense. Horizon will hold non-compliant Product for a period of 60 days from notification, after which it will be discarded.

10/15


## WARRANTY AND SERVICE CONTACT INFORMATION

Country of Purchase	Horizon Hobby	Contact Information	Address
United States of America	Horizon Service Center (Repairs and Repair Requests)	<a href="http://servicecenter.horizonhobby.com/RequestForm/">servicecenter.horizonhobby.com/RequestForm/</a>	2904 Research Rd Champaign, IL 61822
	Horizon Product Support (Product Technical Assistance)	<a href="mailto:productsupport@horizonhobby.com">productsupport@horizonhobby.com</a> 877-504-0233	
	Sales	<a href="mailto:websales@horizonhobby.com">websales@horizonhobby.com</a> 800-338-4639	
European Union	Horizon Technischer Service	<a href="mailto:service@horizonhobby.eu">service@horizonhobby.eu</a>	Hanskampring 9 D 22885 Barsbüttel, Germany
	Sales: Horizon Hobby GmbH	+49 (0) 4121 2655 100	

## FCC INFORMATION

### FCC ID: BRWKATY1T / FCC ID: BRWSRIRVINGV1


This device complies with part 15 of the FCC rules. Operation is subject to the following two conditions: (1) This device may not cause harmful interference, and (2) this device must accept any interference received, including interference that may cause undesired operation.


 **CAUTION:** Changes or modifications not expressly approved by the party responsible for compliance could void the user's authority to operate the equipment.

This product contains a radio transmitter with wireless technology which has been tested and found to be compliant with the applicable regulations governing a radio transmitter in the 2.400GHz to 2.4835GHz frequency range.

### SUPPLIER'S DECLARATION OF CONFORMITY

#### AXI03016 - RR10 Bomber 1/10th 4WD RTR

 This device complies with part 15 of the FCC Rules. Operation is subject to the following two conditions: (1) This device may not cause harmful interference, and (2) this device must accept any interference received, including interference that may cause undesired operation.

 **CAUTION:** changes or modifications not expressly approved by the party responsible for compliance could void the user's authority to operate the equipment.

**NOTE:** This equipment has been tested and found to comply with the limits for a Class B digital device, pursuant to part 15 of the FCC Rules. These limits are designed to provide reasonable protection against harmful interference in a residential installation. This equipment generates, uses and can radiate radio frequency energy and, if not installed and used in accordance with the instructions, may cause harmful interference to radio communications. However, there is no guarantee that interference will not occur in a particular installation. If this equipment does cause harmful interference to radio or television reception, which can be determined by turning the equipment off and on, the user is encouraged to try to correct the interference by one or more of the following measures:

- Reorient or relocate the receiving antenna.
- Increase the separation between the equipment and receiver.
- Connect the equipment into an outlet on a circuit different from that to which the receiver is connected.
- Consult the dealer or an experienced radio/TV technician for help.

Horizon Hobby, LLC  
2904 Research Rd.,  
Champaign, IL 61822  
Email: [compliance@horizonhobby.com](mailto:compliance@horizonhobby.com)  
Web: [HorizonHobby.com](http://HorizonHobby.com)

## IC INFORMATION

### CAN ICES-3 (B)/NMB-3(B)

#### IC: 6157A-KATY1T / IC: 6157A-SRIRVINGV1

This device complies with Industry Canada licence-exempt RSS standard(s). Operation is subject to the following two conditions:

(1) this device may not cause interference, and (2) this device must accept any interference, including interference that may cause undesired operation of the device.

## COMPLIANCE INFORMATION FOR THE EUROPEAN UNION

### EU COMPLIANCE STATEMENT:

#### AXI03016 - RR10 Bomber 1/10th 4WD RTR

Horizon Hobby, LLC hereby declares that this product is in compliance with the essential requirements and other relevant provisions of the RED and EMC Directives.

A copy of the EU Declaration of Conformity is available online at: <http://www.horizonhobby.com/content/support-render-compliance>.

### OPERATING FREQUENCY: 2402.0 - 2478.0 MHZ, MAX EIRP: 17.5DBM



#### INSTRUCTIONS FOR DISPOSAL OF WEEE BY USERS IN THE EUROPEAN UNION

This product must not be disposed of with other waste. Instead, it is the user's responsibility to dispose of their waste equipment by handing it over to a designated collections point for the recycling of waste electrical and electronic equipment. The separate collection and recycling of your waste equipment at the time of disposal will help to conserve natural resources and ensure that it is recycled in a manner that protects human health and the environment. For more information about where you can drop off your waste equipment for recycling, please contact your local city office, your household waste disposal service or where you purchased the product.



E328

## HINWIES

Alle Anweisungen, Garantien und dazugehörigen Dokumente können ohne Ankündigung von Horizon Hobby LLC geändert werden. Eine aktuelle Version ersehen Sie bitte im Support Feld unter: <http://www.horizonhobby.com>.


## ERKLÄRUNG DER BEGRIFFE

Die folgenden Begriffe werden in der gesamten Produktliteratur verwendet, um auf unterschiedlich hohe Gefahrenrisiken beim Betrieb dieses Produkts hinzuweisen:

**WARNUNG:** Wenn diese Verfahren nicht korrekt befolgt werden, ergeben sich wahrscheinlich Sachschäden, Kollateralschäden und schwere Verletzungen ODER mit hoher Wahrscheinlichkeit oberflächliche Verletzungen.

**ACHTUNG:** Wenn diese Verfahren nicht korrekt befolgt werden, ergeben sich wahrscheinlich Sachschäden UND die Gefahr von schweren Verletzungen.

**HINWEIS:** Wenn diese Verfahren nicht korrekt befolgt werden, können sich möglicherweise Sachschäden UND geringe oder keine Gefahr von Verletzungen ergeben.

 **WARNUNG:** Lesen Sie die GESAMTE Bedienungsanleitung, um sich vor dem Betrieb mit den Produktfunktionen vertraut zu machen. Wird das Produkt nicht korrekt betrieben, kann dies zu Schäden am Produkt oder persönlichem Eigentum führen oder schwere Verletzungen verursachen. Dies ist ein hochentwickeltes Hobby-Produkt. Es muss mit Vorsicht und gesundem Menschenverstand betrieben werden und benötigt gewisse mechanische Grundfähigkeiten. Wird dieses Produkt nicht auf eine sichere und verantwortungsvolle Weise betrieben, kann dies zu Verletzungen oder Schäden am Produkt oder anderen Sachwerten führen. Versuchen Sie nicht ohne Genehmigung durch Horizon Hobby, LLC, das Produkt zu zerlegen, es mit inkompatiblen Komponenten zu verwenden oder auf jegliche Weise zu erweitern. Diese Bedienungsanleitung enthält Anweisungen für Sicherheit, Betrieb und Wartung. Es ist unbedingt notwendig, vor Zusammenbau, Einrichtung oder Verwendung alle Anweisungen und Warnhinweise im Handbuch zu lesen und zu befolgen, damit es bestimmungsgemäß betrieben werden kann und Schäden oder schwere Verletzungen vermieden werden.


**Nicht geeignet für Kinder unter 14 Jahren. Dies ist kein Spielzeug.**

## SICHERHEITSHINWEISE UND WARNUNGEN

Als Nutzer dieses Produktes, sind Sie allein verantwortlich, es in einer Art und Weise zu benutzen, die eine eigene Gefährdung und die anderer oder Beschädigung an anderem Eigentum ausschließt.

Das Modell ist ferngesteuert und anfällig für bestimmte äußere Einflüsse. Diese Einflüsse können zum vorübergehenden Verlust der Steuerfähigkeit führen, so dass es immer sinnvoll ist genügend Sicherheitsabstand in alle Richtungen um das Modell zu haben.

- Fahren Sie das Modell nie mit fast leeren oder schwachen Senderbatterien.
- Betreiben Sie Ihr Modell stets auf offenen Geländen, weit ab von Automobilen, Verkehr und Menschen.
- Fahren Sie Ihr Modell nicht auf der Straße oder belebten Plätzen.
- Beachten Sie vorsichtig alle Hinweise und Warnungen für das Modell und allen dazu gehörigen Equipment.
- Halten Sie alle Chemikalien, Kleinteile und elektrische Bauteile aus der Reichweite von Kindern.
- Lecken Sie niemals an Teilen von Ihrem Modell oder nehmen diese in den Mund, da diese Sie ernsthaft verletzen oder töten können.
- Seien Sie immer aufmerksam wenn Sie Werkzeug oder scharfe Instrumente verwenden.
- Seien Sie bei dem Bau vorsichtig, da einige Teile scharfe Kanten haben könnten.
- Fassen Sie bitte unmittelbar nach dem Betrieb nicht den Motor, Regler oder Akku an, da diese Teile sich sehr erwärmen können und Sie sich bei dem berühren ernsthaft verbrennen können.
- Fassen Sie nicht in drehende oder sich bewegende Teile, da sich ernsthaft dabei verletzen können.
- Schalten Sie immer zuerst den Sender ein, bevor Sie den Empfänger im Fahrzeug einschalten.
- Stellen Sie das Fahrzeug mit den Rädern nicht auf den Boden, wenn Sie die Funktionen überprüfen.

 **WARNUNG VOR GEFÄLSCHTEN PRODUKTEN:** Sollten Sie jemals eine Spektrum Komponente ersetzen wollen, kaufen Sie die benötigten Ersatzteile immer bei Horizon Hobby oder einem von Horizon Hobby autorisierten Händler, um sicherzugehen, dass Sie beste Spektrum Qualität erhalten. Horizon Hobby, LLC lehnt jedwede Haftung, Garantie und Serviceleistung in Bezug auf, aber nicht ausschließlich für, Kompatibilitäts- und Leistungsansprüche von gefälschten Produkten oder Produkten, die angeben mit DSM oder Spektrum kompatibel zu sein, ab.

## INHALTSVERZEICHNIS

Wassergeschütztes Fahrzeug mit wasserdichter Elektronik .....	15	Fahrzeugwartung .....	21
Packungsinhalt .....	16	DYNS2210 Vorwärts-/Rückwärts-Geschwindigkeitsregler mit Schleppbremse .....	22
Erforderliches Zubehör .....	16	Übertragungsverhältnis .....	23
Empfohlene Werkzeuge .....	16	Troubleshooting .....	23
Erste-Schritte-Checkliste .....	17	Anmerkungen .....	23
Fahrzeugteile .....	17	Eingeschränkte Garantie .....	24
Laden des Fahrzeug-Akkus .....	18	Garantie und Service Kontaktinformationen .....	24
Einsetzen der Senderbatterien .....	18	Konformitätshinweise für die Europäische Union .....	25
Funktionen des Senders .....	18	Teilereferenz .....	50
Die Akku-Halterung anpassen .....	19	Explosionszeichnungen .....	55
Den Fahrzeug-Akku einsetzen .....	19	Teilleisten .....	59
Binden .....	20	Elektronik .....	61
Reichweitentest für das Funksystem durchführen .....	20		

## WASSERGESCHÜTZTES FAHRZEUG MIT WASSERDICHTER ELEKTRONIK

Ihr neues Horizon Hobby Fahrzeug wurde mit einer Kombination von wasserfesten und spritzwassergeschützten Komponenten ausgestattet, die den Betrieb des Fahrzeuges unter nassen Bedingungen inklusive Pfützen, Bächen, nassem Gras, Schnee oder sogar Regen ermöglichen.

Obwohl das Fahrzeug sehr wasserfest ausgelegt ist, ist es nicht vollständig wasserdicht und sollte NICHT wie ein U-Boot behandelt werden. Die verschiedenen elektronischen Komponenten wie der elektronische Fahrtregler (ESC), die Servos und Empfänger sind wasserdicht, die meisten mechanischen Komponenten sind nur wasserbeständig und sollten daher nicht untergetaucht werden.

Metallteile, inklusive Lager, Bolzen Schrauben und Muttern wie auch die Kontakte in den elektrischen Kabeln sind für Korrosion anfällig wenn nicht zusätzliche Wartung nach jedem Betrieb in feuchter/nasser Umgebung erfolgt. Um die Langzeitleistung und die Garantie ihres Fahrzeuges zu erhalten, müssen Sie die Wartung wie in der Wartungsanleitung nach Fahrten in nasser Umgebung beschrieben durchführen. Sollten Sie diese zusätzliche Wartung nicht ausführen wollen, dürfen Sie ihr Fahrzeug unter diesen Bedingungen nicht betreiben.

 **ACHTUNG:** Mangelnde Aufmerksamkeit bei dem Gebrauch dieses Produktes in Verbindung mit den folgenden Sicherheitshinweisen könnte zu Fehlfunktionen und zum Verlust der Garantie führen.

### ALLGEMEINE SICHERHEITSHINWEISE

- Bitte lesen Sie sich die Wartungsanleitung nach Fahrten in nasser Umgebung sorgfältig durch und stellen sicher, dass Sie alle Werkzeuge für eine Wartung des Fahrzeuges haben.
- Sie können nicht alle Akkutypen für Fahrten in nasser Umgebung nutzen. Fragen Sie dazu vor dem Einsatz den Hersteller des Akkus. Achtsamkeit und Vorsicht ist notwendig wenn Sie LiPo Akkus in feuchten Umgebungen einsetzen.
- Die meisten Sender sind nicht wasserfest. Sehen Sie bitte dazu vor Inbetriebnahme in der Bedienungsanleitung ihres Senders nach oder kontaktieren Sie den Hersteller.
- Nehmen Sie niemals den Sender bei Blitzen oder Gewitter in Betrieb.
- Betreiben Sie ihr Fahrzeug nicht an Orten wo es in Kontakt mit Salzwasser oder verschmutzten, belasteten Gewässern kommen kann. Salzwasser ist sehr leitend und stark korrosionsfördernd, sein Sie daher sehr achtsam.
- Schon geringer Wasserkontakt kann den Motor beschädigen wenn er nicht für den Betrieb in Wasser ausgelegt ist. Sollte der Motor nass geworden sein geben Sie etwas Gas bis die meiste Feuchtigkeit vom Motor entfernt ist. Lassen Sie einen nassen Motor auf hoher Geschwindigkeit laufen wird dieses den Motor sehr schnell beschädigen.
- Fahren in nasser Umgebung kann die Lebenszeit des Motors reduzieren, da dieses den Motor stark beansprucht. Verändern Sie die Untersetzung zu einem kleinerem Ritzel oder größeren Zahnrad. Dieses erhöht das Drehmoment (und verlängert die Motorlebensdauer) bei dem Betrieb in Matsch, tieferen Pfützen oder anderen Bedingungen, die die Last des Motors für einen längeren Zeitraum erhöhen.

### WARTUNGSANLEITUNG NACH FAHRTEN IN NASSER UMGEBUNG

- Entfernen Sie Wasser in den Reifen durch Gas geben. Nehmen Sie die Karosserie ab, drehen das Fahrzeug auf den Kopf und geben ein paar Mal kurz Vollgas bis das Wasser aus dem Reifen entfernt ist.



**ACHTUNG:** Halten Sie immer die Hände, Finger, Werkzeuge und andere lose oder hängende Objekte weg von drehenden Teilen wenn Sie diese Technik des Trocknens praktizieren.

- Entfernen Sie die Akkupacks und trocknen die Kontakte. Sollten Sie einen Kompressor oder Druckluft zur Verfügung haben, blasen Sie damit das Wasser aus dem Motorgehäuse.
- Nehmen Sie die Reifen und Felgen vom Fahrzeug ab und spülen Sie vorsichtig mit einem Gartenschlauch ab. Vermeiden Sie die Lager oder den Antrieb direkt zu spülen.

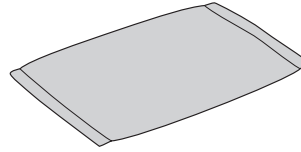
**HINWEIS:** Verwenden Sie keinen Hochdruckreiniger um das Fahrzeug zu reinigen.

- Reinigen Sie das Fahrzeug mit Druckluft aus einem Kompressor oder einer Druckluftflasche und entfernen so das Wasser aus den Spalten und Ecken.
- Sprühen Sie alle Lager, Befestigungen und andere Metallteile mit einem wasserverdrängendem Leichtöl oder Schmiermittel ein. Sprühen Sie nicht den Motor ein.
- Lassen Sie das Fahrzeug vor dem Einlagern vollständig trocknen. Das Abtropfen von Wasser (und Öl) kann durchaus ein paar Stunden dauern.
- Erhöhen Sie die Wartungsintervalle (Demontage, Inspektion und schmieren) von folgenden Komponenten:
  - Vorder- und Hinterachse, Aufnahme und Lager.
  - Alle Antriebswellen Lager, Gehäuse, Getriebe und Differentiale.
  - Motor: reinigen Sie den Motor mit einen Aerosol Reiniger und ölen Sie dann die Lager mit leichtem Motoröl.

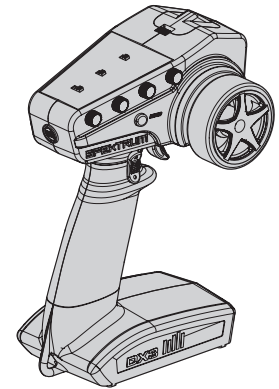
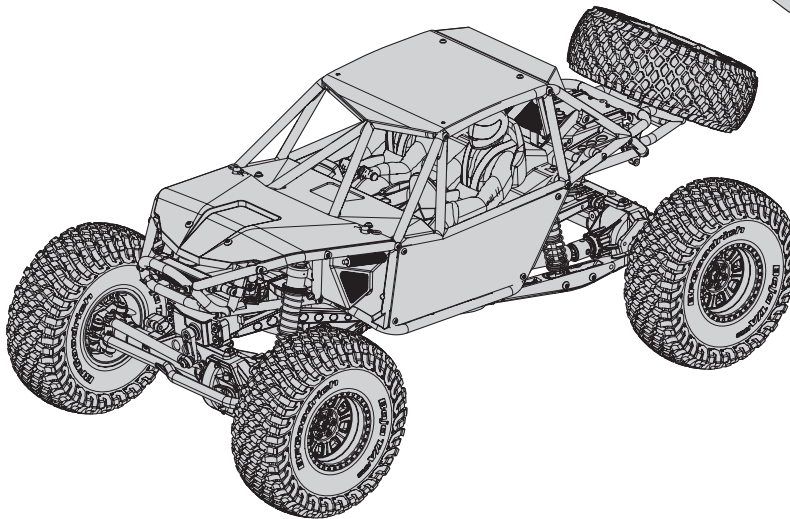
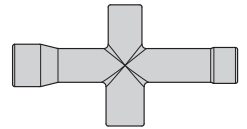
## PACKUNGSIHALT

- Spektrum™ DX3™ 2,4-GHz-Sender(SPMS2340T)
- AX103016 – RR10™ Bomber im Maßstab 1:10 Allrad RTR
  - SR315 Empfänger mit 3 Kanälen (SPMSR315)
  - S614 15 kg Servo (SPMS614)
  - 35T Bürstenmotor (AX31312)
  - AE-5L Geschwindigkeitsregler mit LED (DYNS2213)

• Teilebeutel



• Kreuzschlitzschlüssel



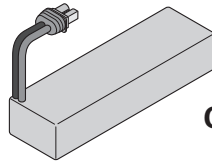
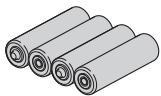
## ERFORDERLICHES ZUBEHÖR

• (4) AA-Alkali-Batterien

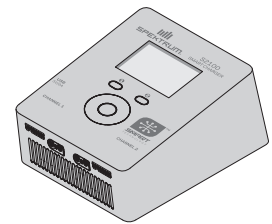
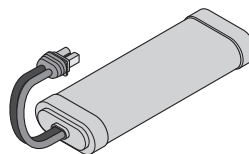
• 3S &gt;LiPo-Akku

• 5–9-zelliger NiMH/NiCd-Akku  
(IC3-Anschluss erforderlich)

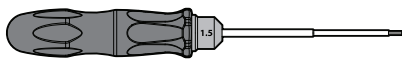
• Akkuladegerät kompatibel mit dem gewählten Fahrzeugakkutyp



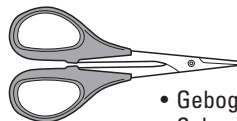
ODER



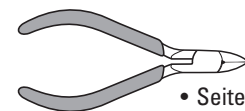
## EMPFOHLENE WERKZEUGE

• Sechskantschlüssel  
(1,5, 2,0, 2,5 mm)

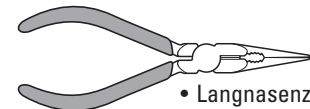
• Hobbymesser



• Gebogene Schere



• Seitenschneider



• Langnasenzange

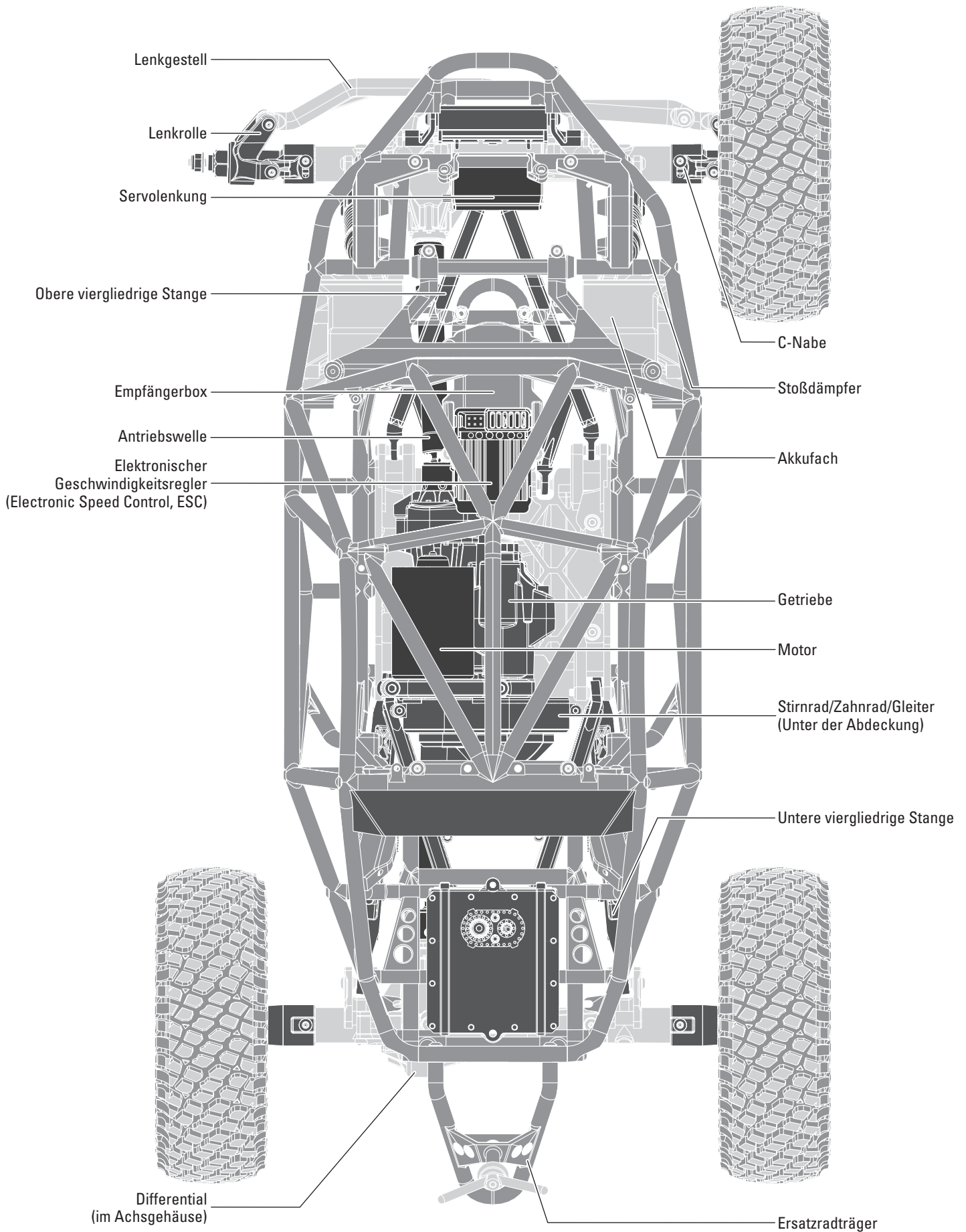
## ERSTE-SCHRITTE-CHECKLISTE

Lesen Sie das Handbuch
Machen Sie sich mit dem Fahrzeug und seinen Komponenten vertraut
Alle Schrauben, insbesondere die Feststellschrauben der Antriebswelle, werksseitig auf festen Sitz prüfen
Laden des Fahrzeug-Akkus
Die 4 AA-Batterien in den Sender einsetzen
Den Sender einschalten

Die Akkus in das Fahrzeug einsetzen
Überprüfen der ordnungsgemäßen Funktion der Gaszufuhr und der Lenkung
Reichweitentest für das Funksystem durchführen
Fahren Sie das Fahrzeug, fordern Sie sich selbst heraus und genießen Sie es!
Notwendige Wartungsmaßnahmen am Fahrzeug vornehmen



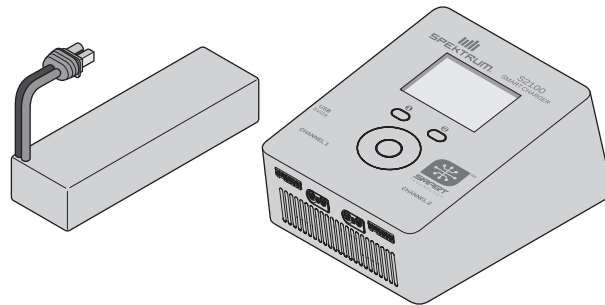
## FAHRZEUGTEILE



## LADEN DES FAHRZEUG-AKKUS

Befolgen Sie die Anweisungen des Herstellers Ihres Ladegeräts, um den Fahrzeug-Akku ordnungsgemäß zu laden.

**ACHTUNG:** Verwenden Sie nur Ladegeräte, die für das Laden des gewählten Akkutyps ausgelegt sind. Die Verwendung eines falschen Ladegeräts oder eine falsche Ladeeinstellung kann dazu führen, dass der Akku brennt oder explodiert.



## EINSETZEN DER SENDERBATTERIEIEN

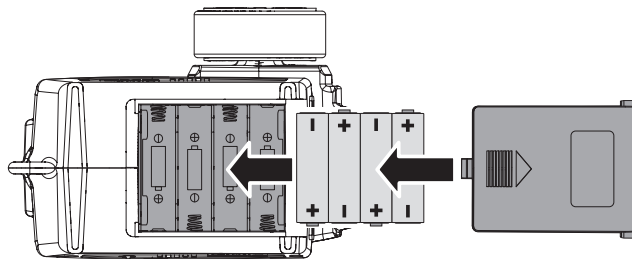
Für den Betrieb sind 4 AA Batterien erforderlich.

1. Nehmen Sie die Batterieklappe vom Sender ab.
2. Setzen Sie die Batterien wie abgebildet ein.
3. Setzen Sie die Batterieklappe wieder auf.

**ACHTUNG:** Entfernen Sie niemals Batterien aus dem Sender, während das Modell eingeschaltet ist. Ein Verlust der Kontrolle über das Modell, Schäden oder Verletzungen können auftreten.

**ACHTUNG:** Wenn Sie wiederaufladbare Akkus verwenden dürfen Sie nur diese laden. Das Laden von nicht aufladbaren Batterien könnte diese zur Explosion bringen, was Sach- und Personenschäden zur Folge haben könnte.

**ACHTUNG:** Es besteht Explosionsrisiko wenn die Akkus durch einen falschen Typ ersetzt werden. Entsorgen Sie verbrauchte Batterien den Vorschriften entsprechend.



## FUNKTIONEN DES SENDERS

### A. Umkehren der Servolaufrichtung

Zum Umkehren der Kanäle Gas (TH) oder Lenkung (ST) schalten Sie die Position des entsprechenden Schalters um – „N“ steht für normal, „R“ steht für umkehren.

### B. Drosseltrimmung

Passt den Neutralpunkt der Drosseltrimmung an

### C. Lenktrimmung

Passt den Mittelpunkt der Lenkung an. Normalerweise wird die Lenktrimmung angepasst, bis die Fahrzeugspur gerade ist.

### D. Drosselübersetzung

Bremsrate anpassen. (Zur Verwendung mit AVC Empfänger)

### E. Lenkübersetzung

Passt den Endpunkt der Lenkung an

### F. Anzeige-Leuchten

- Durchgehend rote Leuchten: Zeigt die Funkverbindung und adäquate Akku-Leistung an
- Aufblinkende rote Leuchten: Zeigt eine kritisch niedrige Akku-Spannung an. Akkus ersetzen

### G. Drosselungsgrenzen

Begrenzt die Drosselausgabe auf 50/75/100 %

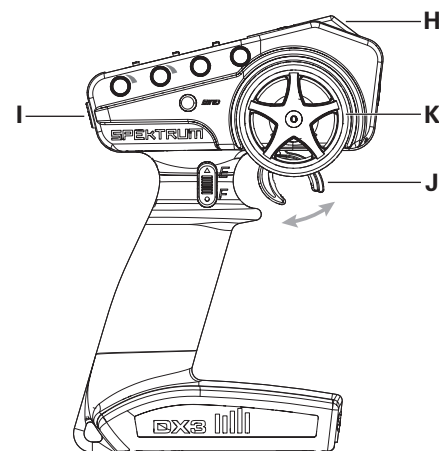
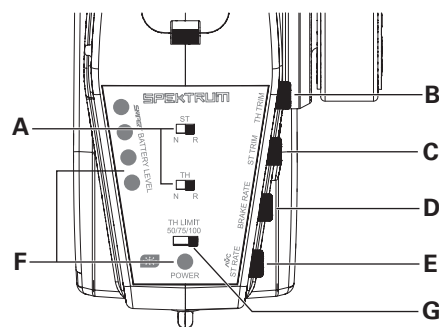
Wählen Sie 50 % oder 75 %, wenn Sie ein weniger erfahrener Fahrer sind oder wenn Sie das Fahrzeug auf einer kleinen Fläche fahren.

### H. Antenne

### I. Betriebstaste

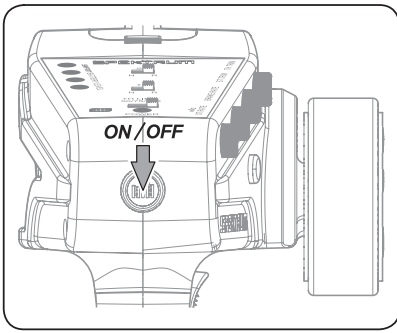
### J. Gas/Bremse

### K. Lenkrad

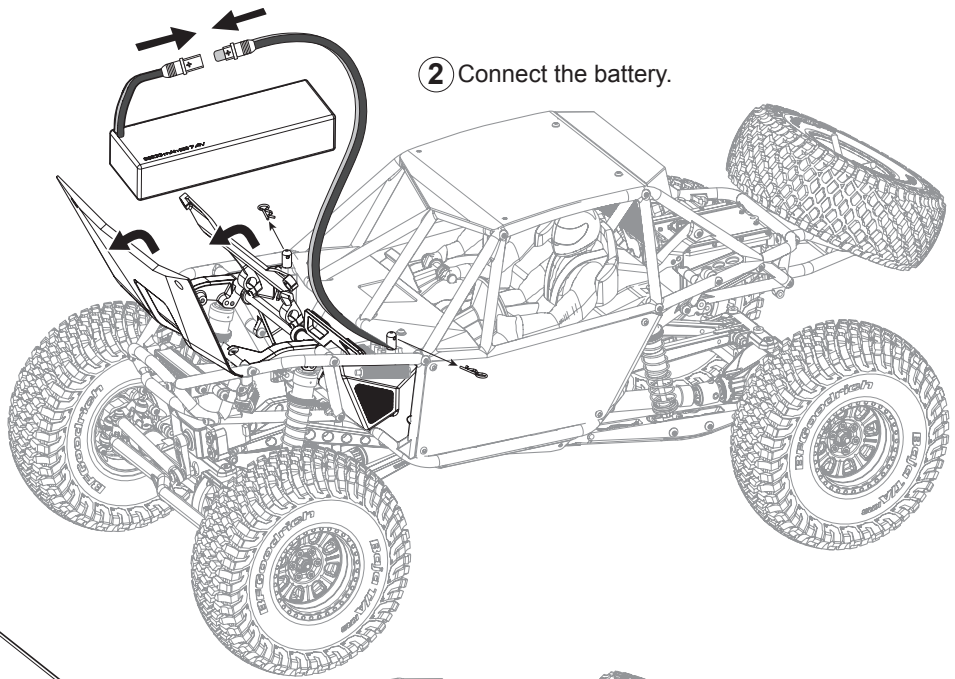


# DEN FAHRZEUGAKKU EINSETZEN

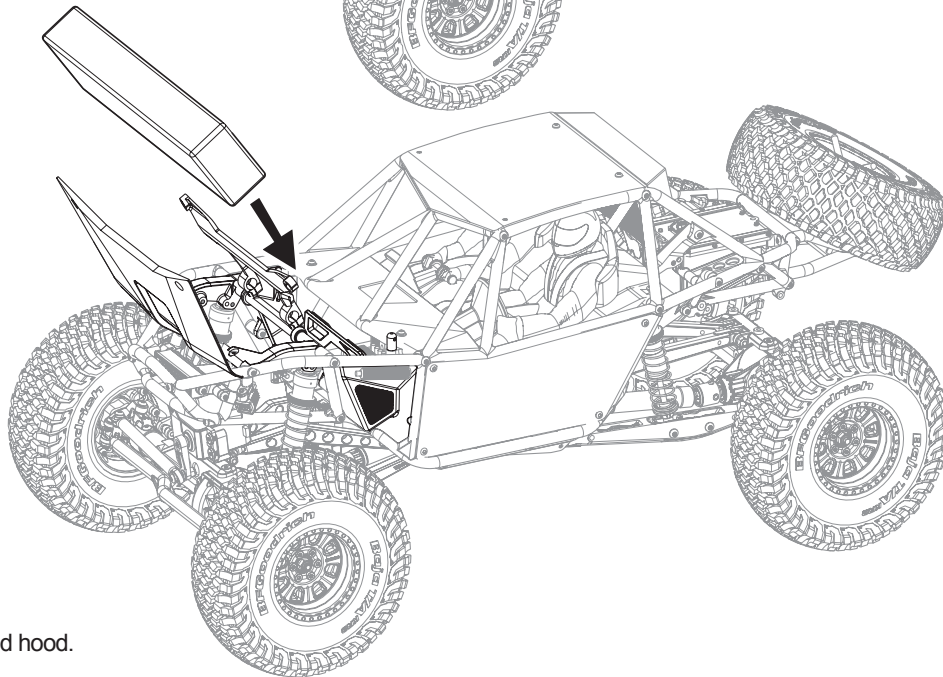
1 Turn on the transmitter.



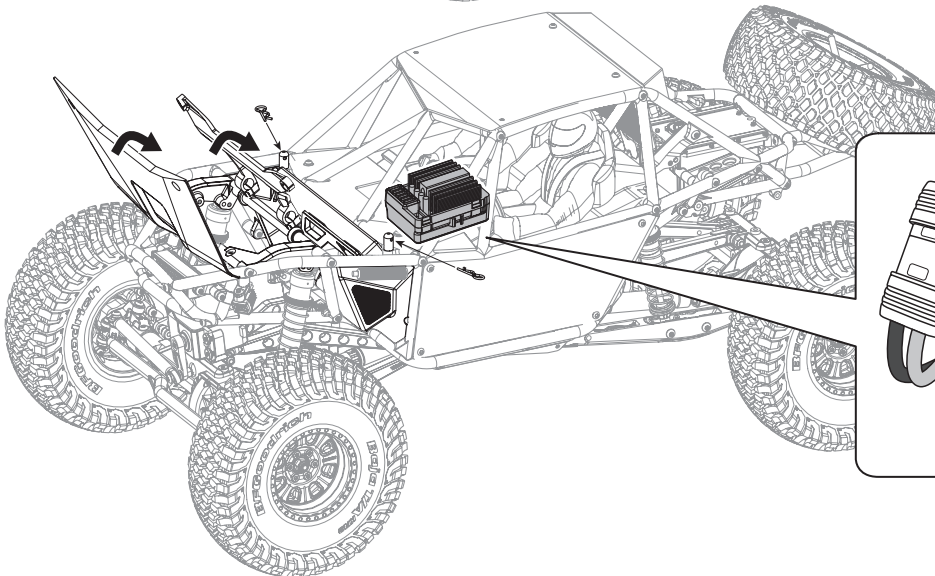
2 Connect the battery.



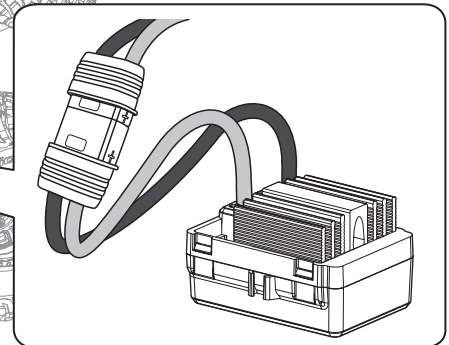
3 Install the battery



4 Close the battery tray and hood.



Note:  
Power to the vehicle is controlled  
by connecting / disconnecting the  
battery.



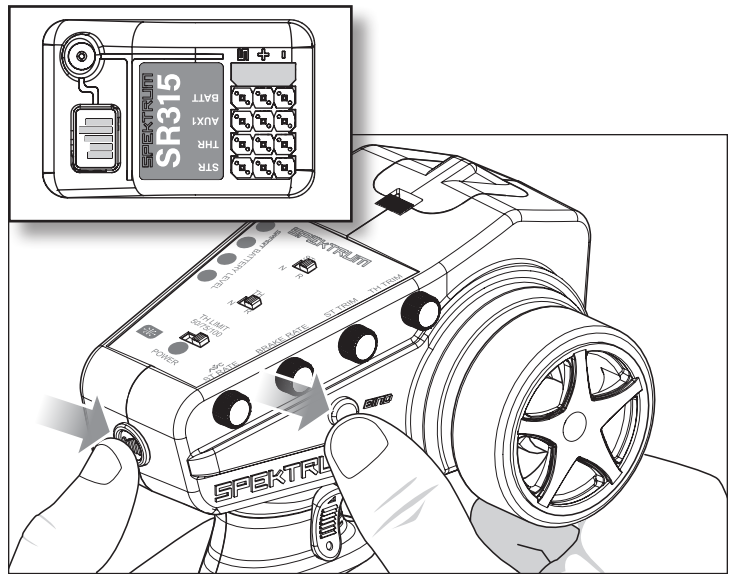
## BINDEN

Das Binden ist der Vorgang, durch den der Empfänger darauf programmiert wird, den GUID-Code (Globally Unique Identifier) eines einzelnen Senders zu erkennen. Der SPM2340-Sender und der SR315-Empfänger sind werksseitig gebunden. Muss eine erneute Bindung durchgeführt werden, so ist die nachfolgende Anleitung zu befolgen.

1. Ein voll aufgeladenes Akkupack mit dem Geschwindigkeitsregler verbinden.
2. Die Steuerungen „ST Trim“ und „TH Trim“ auf dem Sender zentrieren.
3. Den Geschwindigkeitsregler einschalten.
4. Die Taste auf dem SR315 zum Starten des Bindungsmodus drücken. Die LED auf SR315 wird blinken.
5. Während der Bindungsschalter auf dem sender gedrückt gehalten wird, den Ein-/Ausschalter zum Einschalten auf dem sender drücken. Den Bindungsschalter loslassen, wenn die LED auf dem SR315 nicht länger blinkt.
6. Das Fahrzeug ist für den Betrieb bereit.

Ein erneutes Binden muss erfolgen, wenn:

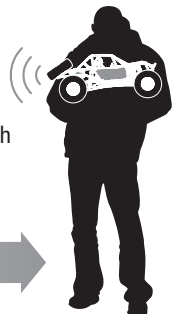
- Andere Failsafe-Positionen gewünscht werden, z. B. wenn Gas oder Steuerung geändert wurden.
- Der Empfänger an einen anderen Sender gebunden wird.



## REICHWEITENTEST FÜR DAS FUNKSYSTEM DURCHFÜHREN

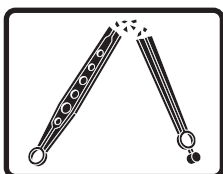
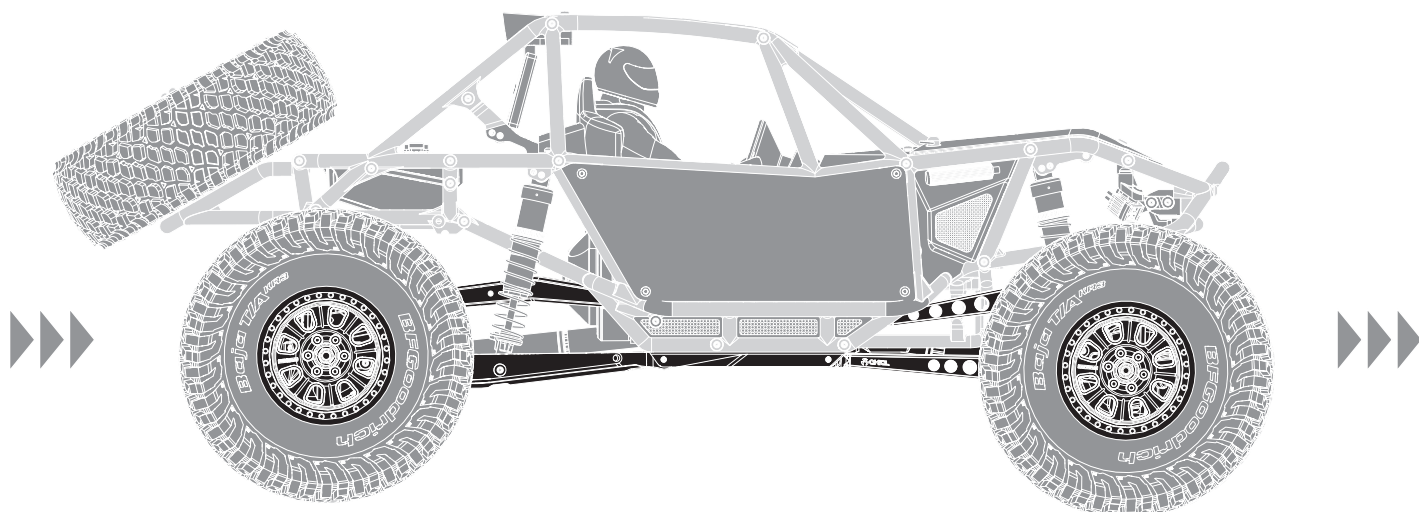
Das Funksystem sollte vor dem Betrieb des Fahrzeugs überprüft werden, um einen ordnungsgemäßen Betrieb und eine ausreichende Reichweite zu gewährleisten.

1. Den Sender einschalten.
2. Den Akku an das Fahrzeug anschließen.
3. Bitten Sie jemanden das Fahrzeug zu halten, damit Sie Hände und lose Kleidung von beweglichen Teilen fernhalten können.
4. Bewegen Sie sich so weit vom Fahrzeug weg, bis Sie den maximal geplanten Betriebsabstand zum Fahrzeug erreicht haben.
5. Drehen Sie das Steuerrad von einer Seite zur anderen und betätigen Sie die Gaszufuhr, sowohl vorwärts als auch rückwärts, und achten Sie darauf, ob Sie irgendein unregelmäßiges Verhalten bemerken.
6. Wenn ein unregelmäßiges Verhalten auftritt, dürfen Sie das Fahrzeug NICHT zum Einsatz bringen. Wenden Sie sich in diesem Fall an den Kundendienst.

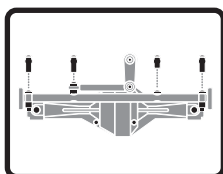


# FAHRZEUGWARTUNG

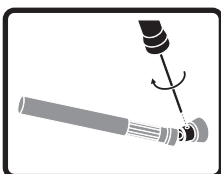
Just like a full size car or truck your RC vehicle must undergo periodic maintenance in order to ensure peak running performance. Preventative maintenance will also help avoid needless breakages which could result in costly repairs. Below are some suggestions to properly maintain your vehicle.



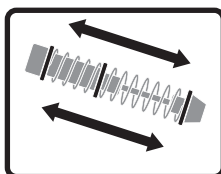
Ersetzen Sie alle erkennbaren gebogenen oder gebrochenen Teile



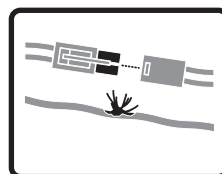
Überprüfen Sie den Verschleiß der Kugelgelenke an den Lenkgliedern und Aufhängungen (ggf. austauschen)



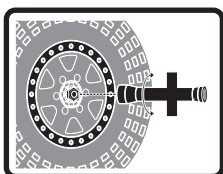
Die Einstellung der Schrauben für die Antriebswelle prüfen und ggf. Gewinnesicherung anbringen



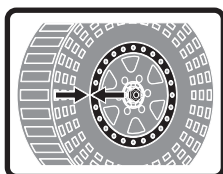
Die Stoßdämpfer auf reibungslosen, gedämpften Betrieb prüfen



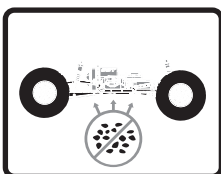
Überprüfen, ob lose Verbindungen oder ausgefranste Kabel vorhanden sind



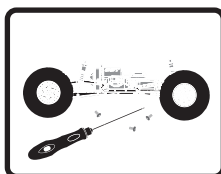
Die Radmuttern auf festen Sitz prüfen



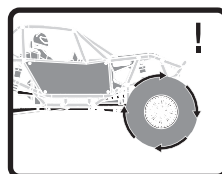
Sicherstellen, dass die Radflanschen noch fest über den gesamten Umfang der Felge verbunden sind



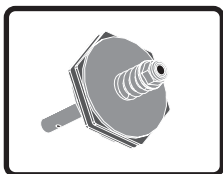
Die Karosserie frei von Schmutz und Ablagerungen halten



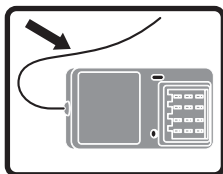
Die Karosserie auf lose Schrauben überprüfen, insbesondere die Schrauben für Achsschenkel, C-Naben und Achsausgänge



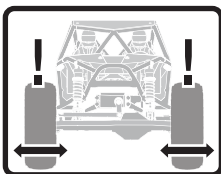
Überprüfen des Antriebsstrangs auf einen reibungslosen, bindungsfreien Betrieb



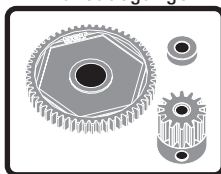
Ggf. die Gleitkupplung auf ihre einwandfreie Funktion überprüfen



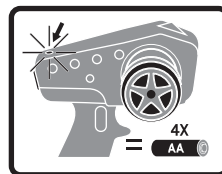
Die Empfängerantenne auf Beschädigungen prüfen



Die Lenkfunktion auf eine mögliche Bindung überprüfen

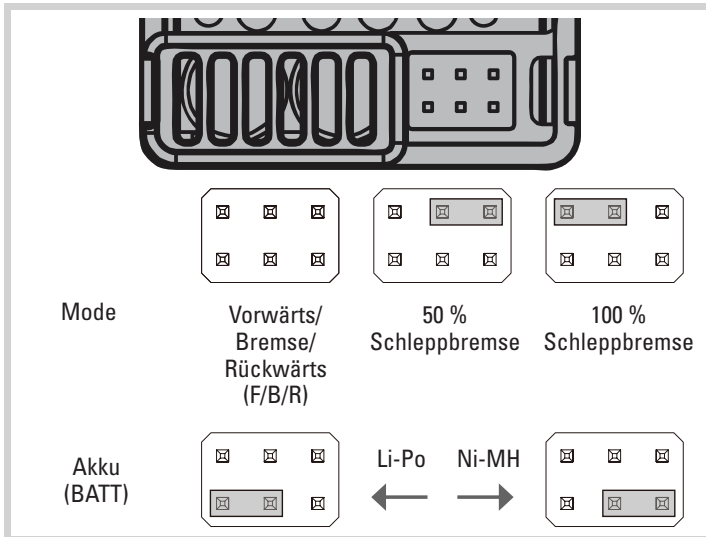
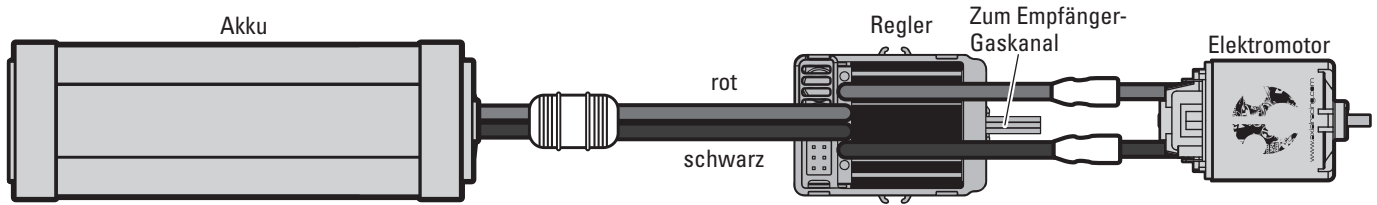


Überprüfen des Stirnrads und der Ritzelräder auf Beschädigungen



Die Sender-Akkus ersetzen, wenn der Sender dies, wie im Abschnitt Senderfunktionen beschrieben, anzeigt

# DYNS2213 VORWÄRTS-/RÜCKWÄRTS-GESCHWINDIGKEITSREGLER MIT SCHLEPPBREMSE



## KONFIGURATION

Die Gaszufuhrkalibrierung ist nicht direkt nach dem Auspacken erforderlich. Um allerdings den Gaszufuhrbereich verschiedener Sender einzustellen, ist die Kalibrierung des Geschwindigkeitsregler notwendig:

- Bei der Befestigung des Geschwindigkeitsreglers darauf achten, dass Sie sich in einer gut belüfteten und vibrations- und stoßfreien Umgebung befinden.
- Die Motorkabel des Geschwindigkeitsreglers an den Motor rot-rot und schwarz-schwarz anschließen.
- Den Geschwindigkeitsregler mit dem Gaskanal des Empfängers verbinden.
- Bevor der Akku in den Geschwindigkeitsregler eingesteckt wird, sicherstellen, dass der Sender eingeschaltet ist und die Gastrimmung auf Null steht.
- Den Akku an den Geschwindigkeitsregler anschließen. Das Fahrzeug wird eingeschaltet, wenn der Akku angeschlossen ist.

**ACHTUNG:** Alle Körperteile und lose Kleidung von beweglichen Teilen fernhalten, wenn der Akku mit dem Geschwindigkeitsregler verbunden ist.

**ACHTUNG:** Den Geschwindigkeitsregler immer nur an eine geeignete Stromquelle mit der richtigen Spannung und Polarität anschließen. Falsche Spannungen oder umgekehrte Polarität führen zu Schäden am Geschwindigkeitsregler. Schäden am Geschwindigkeitsregler, die durch unsachgemäße Spannung oder Polarität verursacht werden, fallen nicht unter die Garantie.

- Mit dem Sender die Vorwärts- und Rückwärtssteuerung testen.

Um den Geschwindigkeitsregler zu kalibrieren:

- Den Sender einschalten und die Gaszufuhr auf Neutralposition stellen.
- Den Akku an den Geschwindigkeitsregler anschließen und 3 Sekunden warten, bis der Geschwindigkeitsregler einen Selbsttest und eine automatische Gaszufuhrkalibrierung eingeleitet hat.
- Der Geschwindigkeitsregler ist betriebsbereit, wenn ein langer Signalton vom Motor ausgegeben wird.
- Den Akku immer abklemmen, wenn das Fahrzeug nicht in Gebrauch ist.

## WICHTIG

- Die LiPo-Abschaltung ist werksseitig auf „EIN“ eingestellt.

## SPEZIFIKATIONEN

	Typ	Bürstenregler
Dauerstrom	60A/360A	
Widerstand	0,0008 Ohm	
Funktion	Vorwärts/Bremse/Rückwärts, Vorwärts/Bremse, Vorwärts/Rückwärts (Crawler Mode)	
Fahrzeugtypen	1/10 on-road und off-road; 1/10 rock crawler	
Betrieb	Proportional vorwärts, Proportional Rückwärts mit Bremsverzögerung, Crawler Mode	
Akkutyp Eingangsspannung	2-3S Li-Po/Li-Fe; 5-7 Zellen Ni-MH/Ni-Cd	
Motortyp	540/550er Motoren: 2S Li-Po runter bis zu 12T; 3S Li-Po runter bis zu 35T	
BEC Ausgang	6V/3A	
Überlastschutz	Thermisch	
Maße	35,6mm x 34mm x 18mm	
Weight	40 g mit Kabel	
Akkustecker	EC3 Anschlußstecker	
Motoranschluß	3,5mm Tamiya Style Kontakt Stecker	

## LED INDIKATOR

BETRIEB	LED STATUS	TON
Stopp	AUS/OFF	
Halbgas Vorwärts	Blinken	
Vorwärts (Vollgas)	Leuchtet	
Rückwärts	Blinken	
Halbe Bremse	Blinken	
Vollbremsung	Blinken	
Ni-MH/Ni-CD Akku		1 kurzer Piepton
2S Li-Po Akku		2 kurze Pieptöne
3S Li-Po Akku		3 kurze Pieptöne
Regler bereit		1 langer Piepton
Akkuspannung zu niedrig	Blinken	
Überhitzt	Blinken	

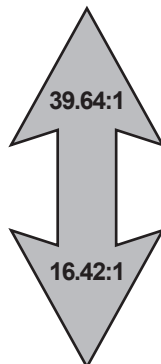
# ÜBERTRAGUNGSVERHÄLTNIS

Use this equation to calculate the final drive ratio.  
**Final Drive Gear Ratio = (Spur/Pinion)x5.67**

Mit dieser Gleichung können Sie die Gesamtübersetzung berechnen.

**Gesamtübersetzung = (Spur/Pinion)x5.67**

**Slower - More Torque**  
**Langsamer - Mehr Kraft**



**Faster - Less Torque**  
**Schneller - Weniger Kraft**

**32 Pitch 38T/13T (Stock Gearing AX30392 or HD AX30395)**

Pinion	Spur Gear			
	56	60	64	68
11	28.85	30.91	32.97	35.03
12	26.44	28.33	30.22	32.11
13	24.41	26.15	27.90	29.64
14	22.67	24.88	25.90	27.52
15	21.15	22.67	24.18	25.69
16	19.83	21.25	22.67	24.08
17	18.67	20.00	21.33	22.67

**32 Pitch 36T/14T (Overdrive HD Gearing AX30401)**

Pinion	Spur Gear			
	56	60	64	68
11	25.38	27.19	29.00	30.81
12	23.26	24.92	26.58	28.25
13	21.47	23.01	24.54	26.07
14	19.94	21.36	21.94	22.60
15	19.61	19.94	21.27	22.60
16	17.45	18.69	19.94	21.18
17	16.42	17.59	18.77	19.94

**32 Pitch 43T/13T (Underdrive HD Gearing AX30402)**

Pinion	Spur Gear			
	56	60	64	68
11	32.64	34.97	37.31	39.64
12	29.92	32.06	34.20	36.33
13	27.62	29.59	31.57	33.54
14	25.65	27.48	29.31	31.14
15	23.94	25.65	27.36	29.07
16	22.44	24.04	25.65	27.25
17	21.12	22.63	24.14	25.65

## PROBLEMLÖSUNG

PROBLEM	MÖGLICHE URSACHE	LÖSUNG
Fahrzeug bewegt sich nicht	Die Akkus sind nicht richtig in den Sender eingesetzt	Sicherstellen, dass die Sender-Akkus richtig eingesetzt sind
	Schwacher oder kein Akku im Fahrzeug	Einsetzen eines neu aufgeladenen Fahrzeug-Akkus
	Beschädigter Motor	Motor ersetzen
	Ausgefranzte oder gebrochene Kabel	Jedes beschädigte Kabel ersetzen
	Geschwindigkeitsregler wird durch Hitzeschutzschaltung abgeschaltet	Den Geschwindigkeitsregler vollständig abkühlen lassen
Schaden an/Verlust der Fahrzeugsteuerung	Unsachgemäße Positionierung der Antenne	Sicherstellen, dass die Senderantenne nicht blockiert ist und die Empfängerantenne richtig positioniert ist
	Schwacher oder kein Akku im Sender oder Fahrzeug	Einsetzen eines neu aufgeladenen Fahrzeug- oder Sender-Akkus
	Neutral- oder Trimmposition ist falsch	Steuertrimmung ausrichten
	Empfänger und/oder Akku nicht richtig angeschlossen	Alle Empfänger- und Akku-Verbindungen überprüfen
Steuer- und/oder Gaszufuhrfunktion ist vertauscht	Der Servo-Verfahrweg ist umgekehrt am Sender	Den Servoumkehrschalter des Senders in die richtige Position bringen
	Motorkabel sind nicht ordnungsgemäß verbunden	Überprüfen aller Motorkabel auf korrekte Polarität und sichere Verbindung

## INGESCHRÄNKTE GARANTIE

### Warnung

Ein ferngesteuertes Modell ist kein Spielzeug. Es kann, wenn es falsch eingesetzt wird, zu erheblichen Verletzungen bei Lebewesen und Beschädigungen an Sachgütern führen. Betreiben Sie Ihr RC-Modell nur auf freien Plätzen und beachten Sie alle Hinweise der Bedienungsanleitung des Modells wie auch der Fernsteuerung.

### Garantiezeitraum

Exklusive Garantie Horizon Hobby LLC (Horizon) garantiert, dass das gekaufte Produkt frei von Material- und Montagefehlern ist. Der Garantiezeitraum entspricht den gesetzlichen Bestimmungen des Landes, in dem das Produkt erworben wurde. In Deutschland beträgt der Garantiezeitraum 6 Monate und der Gewährleistungszeitraum 18 Monate nach dem Garantiezeitraum.

### Einschränkungen der Garantie

- (a) Die Garantie wird nur dem Erstkäufer (Käufer) gewährt und kann nicht übertragen werden. Der Anspruch des Käufers besteht in der Reparatur oder dem Tausch im Rahmen dieser Garantie. Die Garantie erstreckt sich ausschließlich auf Produkte, die bei einem autorisierten Horizon Händler erworben wurden. Verkäufe an Dritte werden von dieser Garantie nicht gedeckt. Garantieansprüche werden nur angenommen, wenn ein gültiger Kaufnachweis erbracht wird. Horizon behält sich das Recht vor, diese Garantiebestimmungen ohne Ankündigung zu ändern oder modifizieren und widerruft dann bestehende Garantiebestimmungen.
- (b) Horizon übernimmt keine Garantie für die Verkaufbarkeit des Produktes, die Fähigkeiten und die Fitness des Verbrauchers für einen bestimmten Einsatzzweck des Produktes. Der Käufer allein ist dafür verantwortlich, zu prüfen, ob das Produkt seinen Fähigkeiten und dem vorgesehenen Einsatzzweck entspricht.
- (c) Ansprüche des Käufers – Es liegt ausschließlich im Ermessen von Horizon, ob das Produkt, bei dem ein Garantiefall festgestellt wurde, repariert oder ausgetauscht wird. Dies sind die exklusiven Ansprüche des Käufers, wenn ein Defekt festgestellt wird.

Horizon behält sich vor, alle eingesetzten Komponenten zu prüfen, die in den Garantiefall einbezogen werden können. Die Entscheidung zur Reparatur oder zum Austausch liegt nur bei Horizon. Die Garantie schließt kosmetische Defekte oder Defekte, hervorgerufen durch höhere Gewalt, falsche Behandlung des Produktes, falscher Einsatz des Produktes, kommerziellen Einsatz oder Modifikationen irgendwelcher Art aus.

Die Garantie schließt Schäden, die durch falschen Einbau, falsche Handhabung, Unfälle, Betrieb, Service oder Reparaturversuche, die nicht von Horizon ausgeführt wurden aus.

Ausgeschlossen sind auch Fälle die bedingt durch (vii) eine Nutzung sind, die gegen geltendes Recht, Gesetze oder Regularien verstoßen haben. Rücksendungen durch den Käufer direkt an Horizon oder eine seiner Landesvertretung bedürfen der Schriftform.

### Schadensbeschränkung

Horizon ist nicht für direkte oder indirekte Folgeschäden, Einkommensausfälle oder kommerzielle Verluste, die in irgendeinem Zusammenhang mit dem Produkt stehen verantwortlich, unabhängig ab ein Anspruch im Zusammenhang mit einem Vertrag, der Garantie oder der Gewährleistung erhoben werden. Horizon wird darüber hinaus keine Ansprüche aus einem Garantiefall akzeptieren, die über den individuellen Wert des Produktes hinaus gehen. Horizon hat keinen Einfluss auf den Einbau, die Verwendung oder die Wartung des Produktes oder etwaiger Produktkombinationen, die vom Käufer gewählt werden. Horizon übernimmt keine Garantie und akzeptiert keine Ansprüche für in der Folge auftretende Verletzungen oder Beschädigungen. Mit der Verwendung und dem Einbau des Produktes akzeptiert der Käufer alle aufgeführten Garantiebestimmungen ohne Einschränkungen und Vorbehalte.

Wenn Sie als Käufer nicht bereit sind, diese Bestimmungen im Zusammenhang mit der Benutzung des Produktes zu akzeptieren, werden Sie gebeten, das Produkt in unbenutztem Zustand in der Originalverpackung vollständig bei dem Verkäufer zurückzugeben.

### Sicherheitshinweise

Dieses ist ein hochwertiges Hobby Produkt und kein Spielzeug. Es muss mit Vorsicht und Umsicht eingesetzt werden und erfordert einige mechanische wie auch mentale Fähigkeiten. Ein Versagen, das Produkt sicher und umsichtig zu betreiben kann zu Verletzungen von Lebewesen und Sachbeschädigungen erheblichen Ausmaßes führen. Dieses Produkt ist nicht für den Gebrauch durch Kinder ohne die Aufsicht eines Erziehungsberechtigten vorgesehen. Die Anleitung enthält Sicherheitshinweise und Vorschriften sowie Hinweise für die Wartung und den Betrieb des Produktes. Es ist unabdingbar, diese Hinweise vor der ersten Inbetriebnahme zu lesen und zu verstehen. Nur so kann der falsche Umgang verhindert und Unfälle mit Verletzungen und Beschädigungen vermieden werden.

### Fragen, Hilfe und Reparaturen

Ihr lokaler Fachhändler und die Verkaufsstelle können eine Garantiebeurteilung ohne Rücksprache mit Horizon nicht durchführen. Dies gilt auch für Garantiereparaturen. Deshalb kontaktieren Sie in einem solchen Fall den Händler, der sich mit Horizon kurz schließen wird, um eine sachgerechte Entscheidung zu fällen, die Ihnen schnellst möglich hilft.

### Wartung und Reparatur

Muss Ihr Produkt gewartet oder repariert werden, wenden Sie sich entweder an Ihren Fachhändler oder direkt an Horizon.

Rücksendungen / Reparaturen werden nur mit einer von Horizon vergebenen RMA Nummer bearbeitet. Diese Nummer erhalten Sie oder Ihr Fachhändler vom technischen Service. Mehr Informationen dazu erhalten Sie im Serviceportal unter [www.Horizonhobby.de](http://www.Horizonhobby.de) oder telefonisch bei dem technischen Service von Horizon.

Packen Sie das Produkt sorgfältig ein. Beachten Sie, dass der Originalkarton in der Regel nicht ausreicht, um beim Versand nicht beschädigt zu werden. Verwenden Sie einen Paketdienstleister mit einer Tracking Funktion und Versicherung, da Horizon bis zur Annahme keine Verantwortung für den Versand des Produktes übernimmt. Bitte legen Sie dem Produkt einen Kaufbeleg bei, sowie eine ausführliche Fehlerbeschreibung und eine Liste aller eingesendeten Einzelkomponenten. Weiterhin benötigen wir die vollständige

### Garantie und Reparaturen

Garantieanfragen werden nur bearbeitet, wenn ein Originalkaufbeleg von einem autorisierten Fachhändler beiliegt, aus dem der Käufer und das Kaufdatum hervorgeht. Sollte sich ein Garantiefall bestätigen wird das Produkt repariert oder ersetzt. Diese Entscheidung obliegt einzig Horizon Hobby.

### Kostenpflichtige Reparaturen

Liegt eine kostenpflichtige Reparatur vor, erstellen wir einen Kostenvoranschlag, den wir Ihrem Händler übermitteln. Die Reparatur wird erst vorgenommen, wenn wir die Freigabe des Händlers erhalten. Der Preis für die Reparatur ist bei Ihrem Händler zu entrichten. Bei kostenpflichtigen Reparaturen werden mindestens 30 Minuten Werkstattzeit und die Rückversandkosten in Rechnung gestellt. Sollten wir nach 90 Tagen keine Einverständniserklärung zur Reparatur vorliegen haben, behalten wir uns vor, das Produkt zu vernichten oder anderweitig zu verwerten.

**ACHTUNG: Kostenpflichtige Reparaturen nehmen wir nur für Elektronik und Motoren vor. Mechanische Reparaturen, besonders bei Hubschraubern und RC-Cars sind extrem aufwendig und müssen deshalb vom Käufer selbst vorgenommen werden.**

10/15

## GARANTIE UND SERVICE KONTAKTINFORMATIONEN

Land des Kauf	Horizon Hobby	Telefon/E-mail Adresse	Adresse
Europäische Union	Horizon Technischer Service Sales: Horizon Hobby GmbH	service@horizonhobby.de +49 (0) 4121 2655 100	Hanskampring 9 D 22885 Barsbüttel, Germany



## KONFORMITÄTSHINWEISE FÜR DIE EUROPÄISCHE UNION



### EU KONFORMITÄTSERKLÄRUNG

AXI03016 - RR10 Bomber 1/10th 4WD RTR

Horizon LLC erklärt hiermit, dass dieses Produkt konform zu den essentiellen Anforderungen der RED und EMC Direktive ist.

Eine Kopie der Konformitätserklärung ist online unter folgender Adresse verfügbar : <http://www.horizonhobby.com/content/support-render-compliance>.

**OPERATING FREQUENCY: 2402.0 - 2478.0 MHZ, MAX EIRP: 17.5DBM**



### ANWEISUNGEN ZUR ENTSORGUNG VON ELEKTRO-UND ELEKTRONIK-ALTGERÄTEN FÜR BENUTZER IN DER EUROPÄISCHEN UNION

Dieses Produkt darf nicht zusammen mit anderem Abfall entsorgt werden. Stattdessen ist der Benutzer dafür verantwortlich, unbrauchbare Geräte durch Abgabe bei einer speziellen Sammelstelle für das Recycling von unbrauchbaren elektrischen und elektronischen Geräten zu entsorgen. Die separate Sammlung und das Recycling von unbrauchbaren Geräten zum Zeitpunkt der Entsorgung hilft, natürliche Ressourcen zu bewahren und sicherzustellen, dass Geräte auf eine Weise wiederverwertet werden, bei der die menschliche Gesundheit und die Umwelt geschützt werden. Weitere Informationen dazu, wo Sie unbrauchbare Geräte zum Recycling abgeben können, erhalten Sie bei lokalen Ämtern, bei der Müllabfuhr für Haushaltsmüll sowie dort, wo Sie das Produkt gekauft haben.

## REMARQUE

La totalité des instructions, garanties et autres documents est sujette à modification à la seule discrétion d'Horizon Hobby, LLC. Pour obtenir la documentation à jour, rendez-vous sur le site horizonhobby.com et cliquez sur l'onglet de support de ce produit.


## SIGNIFICATION DE CERTAINS TERMES SPÉCIFIQUES

Les termes suivants sont utilisés dans l'ensemble du manuel pour indiquer différents niveaux de danger lors de l'utilisation de ce produit :

**AVERTISSEMENT** : Procédures qui, si elles ne sont pas suivies correctement, peuvent entraîner des dégâts matériels et des blessures graves OU engendrer une probabilité élevée de blessure superficielle.

**ATTENTION** : Procédures qui, si elles ne sont pas suivies correctement, peuvent entraîner des dégâts matériels ET des blessures graves.

**REMARQUE** : Procédures qui, si elles ne sont pas suivies correctement, peuvent entraîner des dégâts matériels ET éventuellement un faible risque de blessures.

 **AVERTISSEMENT** : Lisez la TOTALITÉ du manuel d'utilisation afin de vous familiariser avec les caractéristiques du produit avant de le faire fonctionner. Une utilisation incorrecte du produit peut entraîner sa détérioration, ainsi que des risques de dégâts matériels, voire de blessures graves. Ceci est un produit de loisirs sophistiqué. Il doit être manipulé avec prudence et bon sens et requiert des aptitudes de base en mécanique. Toute utilisation irresponsable de ce produit ne respectant pas les principes de sécurité peut provoquer des blessures, entraîner des dégâts matériels et endommager le produit. Ce produit n'est pas destiné à être utilisé par des enfants sans la surveillance directe d'un adulte. N'essayez pas de démonter le produit, de l'utiliser avec des composants incompatibles ou d'en améliorer les performances sans l'accord d'Horizon Hobby, LLC. Ce manuel comporte des instructions relatives à la sécurité, au fonctionnement et à l'entretien. Il est capital de lire et de respecter la totalité des instructions et avertissements du manuel avant l'assemblage, le réglage et l'utilisation, ceci afin de manipuler correctement l'appareil et d'éviter tout dégât matériel ou toute blessure grave.

**14 ans et plus. Ceci n'est pas un jouet.**

## PRÉCAUTIONS ET AVERTISSEMENTS LIÉS À LA SÉCURITÉ

En tant qu'utilisateur de ce produit, il est de votre seule responsabilité de le faire fonctionner d'une manière qui ne mette en danger ni votre personne, ni de tiers et qui ne provoque pas de dégâts au produit lui-même ou à la propriété d'autrui.

Ce modèle est contrôlé par un signal radio, qui peut être soumis à des interférences provenant de nombreuses sources hors de votre contrôle. Ces interférences peuvent provoquer une perte momentanée de contrôle. Il est donc conseillé de garder une bonne distance de sécurité tout autour de votre modèle, ce qui aidera à éviter les collisions ou les blessures.

- Ne faites jamais fonctionner votre modèle lorsque les piles de l'émetteur sont faibles.
- Faites toujours fonctionner votre modèle dans une zone dégagée, à l'écart des voitures, de la circulation ou de personnes.
- Ne faites jamais et pour quelque raison que ce soit fonctionner votre modèle dans la rue ou dans des zones habitées.
- Respectez scrupuleusement les instructions et avertissements à cet effet ainsi que pour tous les équipements optionnels/complémentaires (chargeurs, packs de batteries rechargeables, etc.) que vous utilisez.
- Tenez tous les produits chimiques, les petites pièces et les composants électroniques hors de portée des enfants.
- Ne léchez ni ne mettez jamais en bouche quelque partie de votre modèle que ce soit, afin d'éviter tout risque de blessures graves, voire danger de mort.
- Faites bien attention lors de l'utilisation d'outils et lors de l'utilisation d'instruments coupants.
- Faites bien attention lors du montage, certaines pièces peuvent avoir des bords coupants.
- Après avoir utilisé votre modèle, NE touchez PAS à certaines de ces pièces telles que le moteur, le contrôleur électronique de vitesse et la batterie, car elles peuvent encore se trouver à des températures élevées. Vous risquez de vous brûler gravement en cas de contact avec elles.
- Ne mettez ni vos doigts ni aucun autre objet entre des pièces en rotation ou en mouvement, vous risqueriez des dommages ou des blessures graves.
- Allumez toujours votre émetteur avant d'allumer le récepteur du véhicule. Éteignez toujours le récepteur avant d'éteindre votre émetteur.
- Veillez à ce que les roues du modèle ne soient pas en contact avec le sol lorsque vous contrôlez le fonctionnement de votre équipement radio.

 **AVERTISSEMENT CONTRE LES PRODUITS CONTREFAITS** : Toujours acheter chez un revendeur officiel Horizon hobby pour être sûr d'avoir des produits authentiques. Horizon Hobby décline toute garantie et responsabilité concernant les produits de contrefaçon ou les produits se disant compatibles DSM ou Spektrum.

## TABLE DES MATIÈRES

Véhicule étanche avec composants électroniques étanches.....	27	Entretien du véhicule.....	33
Contenu de la boîte.....	28	Variateur ESC avant/arrière ae-5l avec freinage par résistance .....	34
Matériel nécessaire.....	28	Rapports de transmission.....	35
Outils recommandés.....	28	Troubleshooting.....	35
Liste de contrôle avant de commencer .....	29	Remarques.....	35
Pièces du véhicule.....	29	Garantie et réparations.....	36
Chargez la batterie du véhicule.....	30	Informations de contact pour garantie et réparation.....	36
Installation des piles de l'émetteur.....	30	Information ic.....	37
Fonctions de l'émetteur .....	30	Informations de conformité pour l'union européenne.....	37
Ajustement du support de batterie.....	31	Références des pièces .....	50
Installez la batterie du véhicule.....	31	Vues éclatées.....	55
Affectation de votre émetteur et votre récepteur .....	32	Liste des pièces.....	59
Vérification de la portée du système radio.....	32	Composants électroniques.....	61

## VÉHICULE ÉTANCHE AVEC COMPOSANTS ÉLECTRONIQUES ÉTANCHES

Votre nouveau véhicule Horizon Hobby a été conçu et fabriqué en combinant des composants étanches et des composants résistants à l'eau vous permettant d'utiliser ce produit dans plusieurs "Conditions Humides" incluant les flaques d'eau, les ruisseaux, l'herbe humide, la neige et même la pluie.

Bien que le véhicule possède une grande résistance vis-à-vis de l'eau, il n'est pas entièrement étanche et votre véhicule ne doit PAS être utilisé comme un sous-marin. Les différents composants électroniques installés sur le véhicule, comme le contrôleur de vitesse électronique (ESC), le ou les servo(s) et le récepteur sont étanches, cependant la plupart des composants mécaniques résistent aux projections d'eau mais ne doivent pas être immergés.

Les pièces métalliques comme les roulements, les axes de suspension, les vis et les écrous ainsi que les contacts des prises des câbles électriques sont exposés à l'oxydation si vous n'effectuez un entretien supplémentaire après avoir utilisé le produit dans des conditions humides. Pour conserver à long terme les performances de votre véhicule et conserver la garantie, les procédures décrites dans la section « Maintenance en conditions humides » doivent être régulièrement effectuées si vous roulez dans des conditions humides. Si vous ne souhaitez pas effectuer la maintenance supplémentaire requise, vous ne devez pas utiliser le véhicule dans ces conditions.

**ATTENTION :** Un défaut de soin durant l'utilisation et un non-respect des consignes suivantes peut entraîner un dysfonctionnement du produit et/ou annuler la garantie.

### PRÉCAUTIONS GÉNÉRALES

- Lisez avec attention les procédures de maintenance en conditions humides et vérifiez que vous possédez tous les outils nécessaires pour effectuer la maintenance du véhicule.
- Toutes les batteries ne peuvent être utilisées en conditions humides. Consultez la documentation du fabricant de votre batterie avant utilisation. Des précautions doivent être appliquées quand vous utilisez des batteries Li-Po en conditions humides.
- La majorité des émetteurs ne résiste pas aux projections d'eau. Consultez le manuel ou le fabricant de votre émetteur avant utilisation.
- N'utilisez jamais votre émetteur ou votre véhicule sous un orage.
- N'utilisez JAMAIS votre véhicule où il pourrait entrer en contact avec de l'eau salée (Eau de mer ou flaque d'eau sur une route salée), ou de l'eau polluée ou contaminée.

- Une petite quantité d'eau peut réduire la durée de vie du moteur s'il n'est pas certifié étanche ou résistant aux projections d'eau. Si le moteur devient excessivement humide, appliquez légèrement les gaz pour évacuer le maximum d'eau du moteur. Faire tourner à un régime élevé un moteur humide causerait son endommagement rapide.
- L'utilisation en conditions humides peut réduire la durée de vie du moteur. La résistance de l'eau cause des efforts plus importants. Adaptez le rapport de transmission en utilisant un pignon plus petit ou une couronne plus grande. Cela augmentera le couple (et la durée de vie du moteur) quand vous roulez dans la boue, dans les flaques profondes ou n'importe quelle autre condition humide, cela augmente la charge appliquée au moteur.

### MAINTENANCE EN CONDITIONS HUMIDES

- Evacuez l'eau collectée par les pneus en les faisant tourner à haute vitesse. Retirez la carrosserie, retournez le véhicule et donnez des courts coups d'accélérateur plein gaz jusqu'à ce que l'eau soit retirée.



**ATTENTION:** Tenez toujours éloigné des parties en rotation, les mains, les doigts, les outils ou autre objet lâches/pendants.

- Retirez la batterie et séchez ses contacts. Si vous possédez un compresseur d'air ou une bombe d'air comprimé, chassez toute l'humidité qui se trouve dans la prise.
- Retirez les roues du véhicule et rincez-les à l'aide d'un arrosoir pour retirer la boue et la poussière. Évitez de rincer les roulements et la transmission.

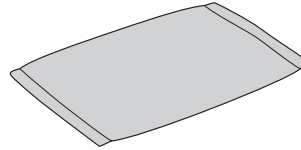
**REMARQUE :** N'utilisez jamais un nettoyeur haute-pression pour nettoyer le véhicule.

- Utilisez un compresseur d'air ou une bombe d'air comprimée pour sécher le véhicule et vous aider à retirer l'eau logée dans les renforcements et les recoins.
- Vaporisez du lubrifiant ou de l'anti-humidité sur les roulements, les vis ou autres pièces métalliques. Ne pas en vaporiser sur le moteur.
- Laissez le véhicule sécher avant de le stocker. L'eau (et l'huile) peuvent continuer à s'écouler durant quelques heures.
- Augmentez la fréquence d'inspection, de démontage et de lubrification des éléments suivants:
  - Les axes de roues et roulements des fusées avant et arrière.
  - Tous les boîtiers de transmissions, pignons et différentiels.
  - Le moteur—nettoyez-le à l'aide d'un aérosol de nettoyant moteur et lubrifiez les paliers à l'aide de lubrifiant pour roulements.

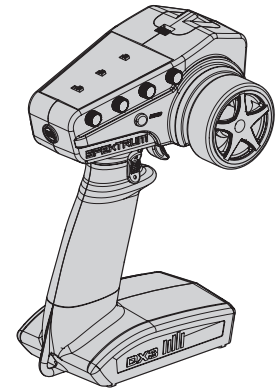
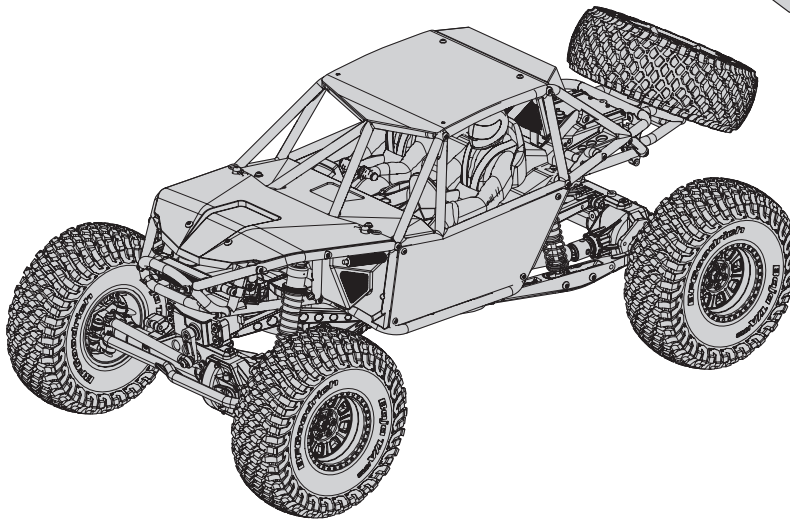
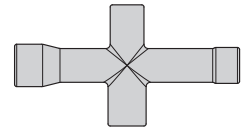
## CONTENU DE LA BOÎTE

- Émetteur Spektrum™ DX3™ 2,4 GHz (SPMS2340T)
- AXI03016 - RTR 4RM RR10™ Bomber 1/10e
  - Récepteur 3 canaux SR315 (SPMSR315)
  - Servo 15KG S614 (SPMS614)
  - Moteur à balais 35T (AX31312)
  - Variateur ESC AE-5L avec DEL (DYNS2213)

- Sachet de pièces

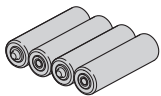


- Clé cruciforme

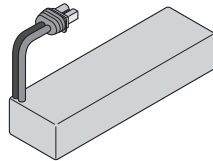


## MATÉRIEL NÉCESSAIRE

- (4) piles alcalines AA

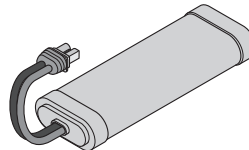


- Batterie Li-Po 3S

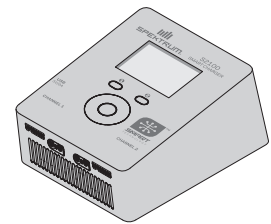


- Batteries NiMH/NiCd à 5-9 cellules  
(Connecteur IC3 requis)

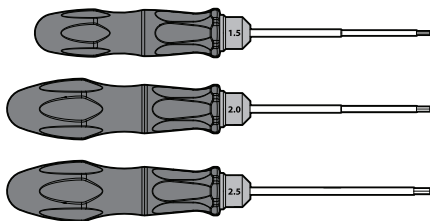
OU



- Chargeur de batterie compatible avec le type de batterie de véhicule choisi



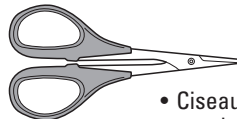
## OUTILS RECOMMANDÉS



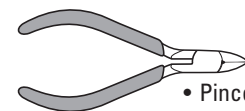
- Clés Allen  
(1,5, 2,0, 2,5 mm)



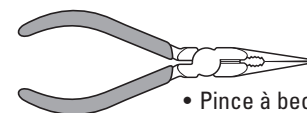
- Couteau hobby



- Ciseaux courbes



- Pince coupante



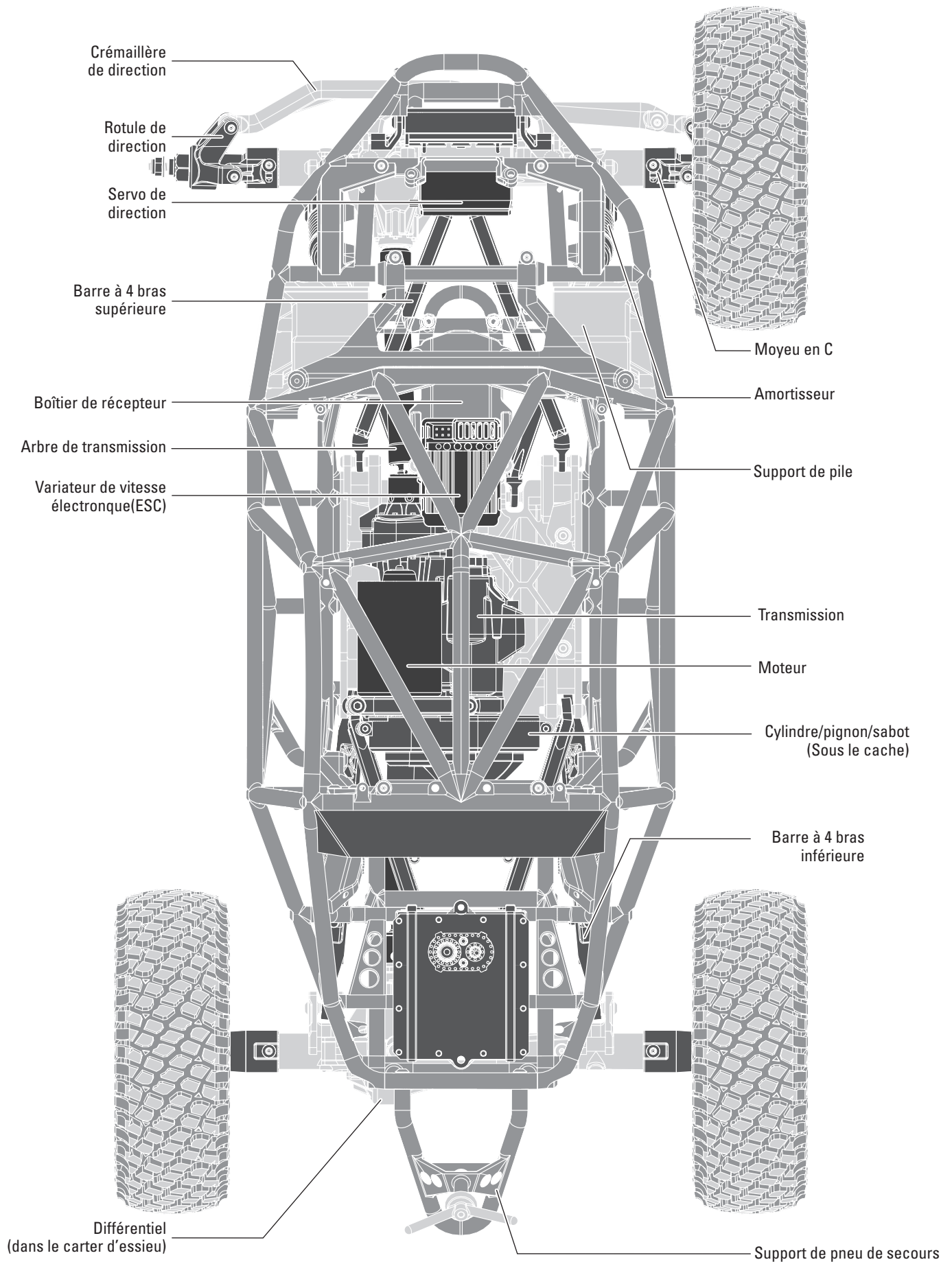
- Pince à bec long

## Liste de contrôle avant de commencer

Lisez le manuel
Familiarisez-vous avec le véhicule et ses composants
Vérifiez que toutes les vis, en particulier les vis de fixation de l'arbre de transmission, ont été bien serrées en usine
Chargez la batterie du véhicule
Installez 4 piles AA dans l'émetteur

Mettez l'émetteur en marche
Installez la batterie du véhicule dans le véhicule
Contrôlez le bon fonctionnement des gaz et de la direction
Vérifiez la portée de votre système radio
Manœuvrez le véhicule, mettez-vous au défi, et AMUSEZ-VOUS !
Effectuez l'entretien nécessaire sur le véhicule

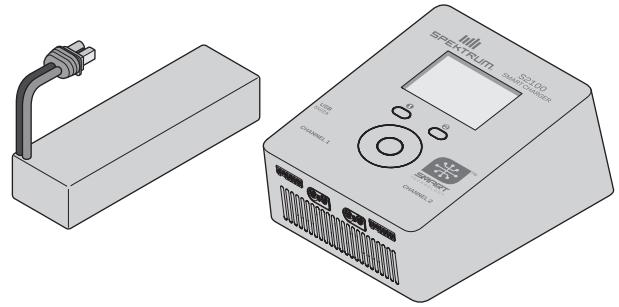
## PIÈCES DU VÉHICULE



## CHARGEZ LA BATTERIE DU VÉHICULE

Suivez les instructions du fabricant de votre chargeur pour charger correctement la batterie du véhicule.

**ATTENTION** : Utilisez uniquement des chargeurs conçus pour charger le type de batterie choisi. L'utilisation d'un chargeur incompatible ou de paramètres de chargeur inadaptés peut entraîner un incendie ou une explosion de la batterie.



## INSTALLATION DES PILES DE L'ÉMETTEUR

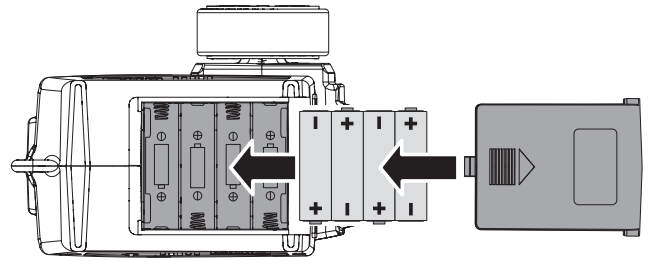
Cet émetteur nécessite 4 piles AA.

1. Retirez le couvercle du compartiment à piles.
2. Insérez les piles comme sur l'illustration.
3. Remplacez le couvercle.

**ATTENTION** : Ne retirez jamais les piles de l'émetteur lorsque le modèle est sous tension. Une perte de contrôle du modèle, des dommages ou des blessures peuvent survenir.

**ATTENTION** : Si vous utilisez des piles rechargeables, chargez seulement des piles rechargeables. La charge de piles non rechargeables peut causer un incendie, entraînant des blessures corporelles et/ou des dégâts matériels.

**ATTENTION** : Risque d'explosion si la batterie est remplacée par un type de batterie non conforme. Éliminez les batteries usagées selon les réglementations nationales.



## FONCTIONS DE L'ÉMETTEUR

### A. Inversion de servo

Pour inverser la voie des Gaz (TH) ou de la direction (ST), changez la position de l'interrupteur correspondant - "N" correspond à normal et "R" à inversé.

### B. Trim des gaz

Permet de régler le neutre des gaz

### C. Trim de direction

Permet de régler le neutre de la direction. Normalement, le trim est réglé pour que le véhicule roule droit.

### D. Débattements des gaz

Réglez le taux de freinage. (Pour une utilisation avec le récepteur de l'AVC)

### E. Débattements de la direction

Permet de régler la fin de course de la direction

### F. Indicateurs lumineux

- Lumières rouges fixes: Indique la connexion radio et la bonne alimentation piles
- Lumières vertes clignotantes: Indique que la tension des piles est faible. Remplacez les piles

### G. Limite des gaz

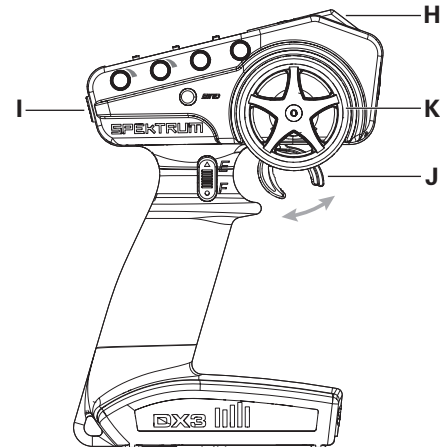
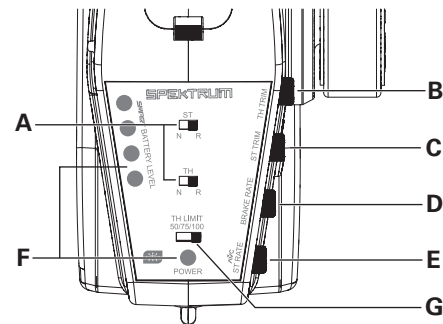
Permet de limiter les gaz à 50/75/100%. Sélectionnez 50% ou 75% pour les pilotes moins expérimentés ou lorsque vous pilotez dans une petite zone.

### H. Antenne

### I. Bouton d'alimentation

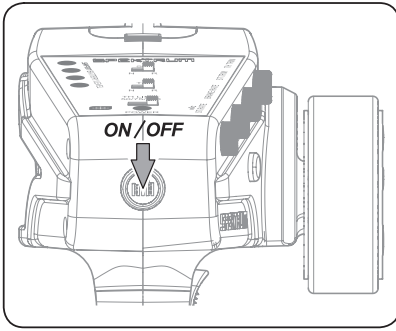
### J. Gaz/Freins

### K. Volant de direction

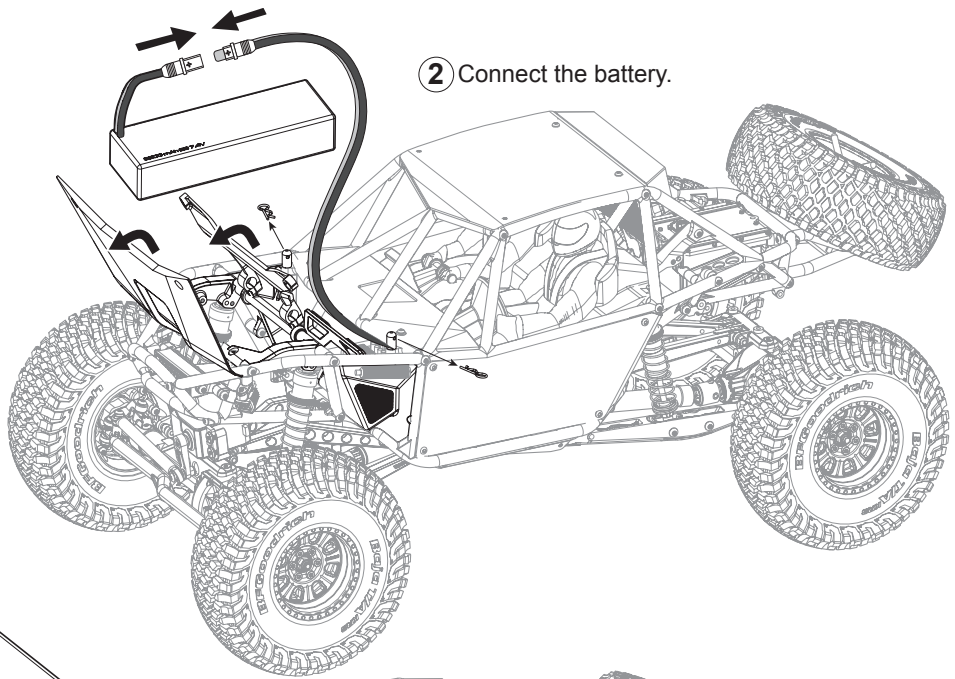


# INSTALLER LA PILE DU VÉHICULE

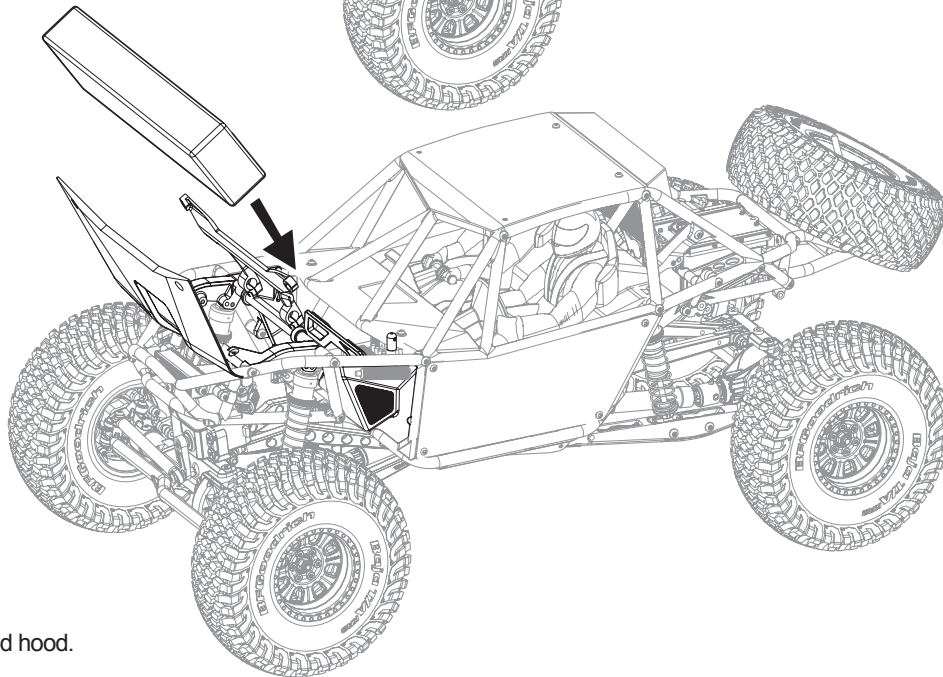
① Turn on the transmitter.



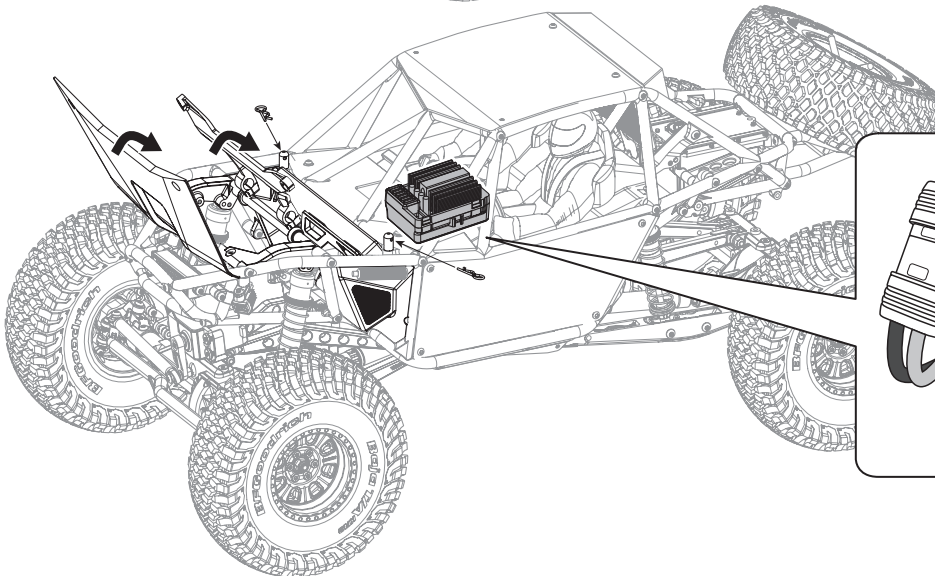
② Connect the battery.



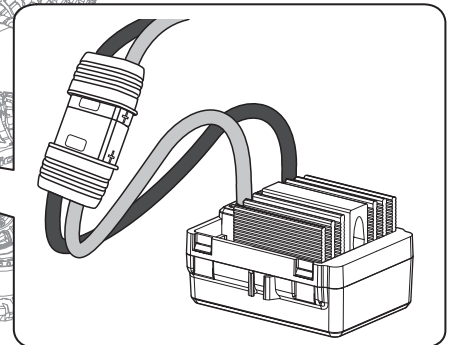
③ Install the battery



④ Close the battery tray and hood.



Note:  
Power to the vehicle is controlled  
by connecting / disconnecting the  
battery.



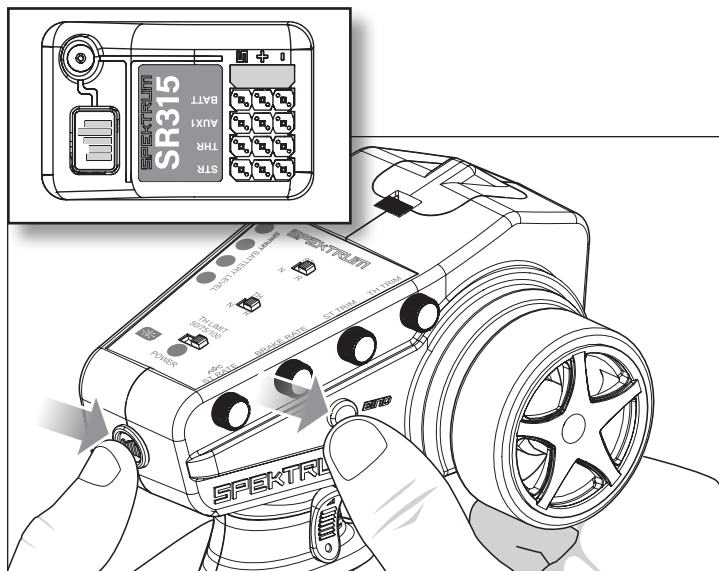
## AFFECTATION DE VOTRE ÉMETTEUR ET VOTRE RÉCEPTEUR

L'affectation est le processus de programmation du récepteur qui vise à reconnaître le code GUID (identificateur global unique) d'un émetteur simple spécifique. L'émetteur SPM2340 et le récepteur SR315 sont affectés en usine. Si vous devez les réaffecter, suivez les instructions ci-dessous.

1. Branchez une batterie complètement chargée sur le variateur ESC.
2. Centrez les cadrans ST Trim et TH TRIM sur l'émetteur.
3. Allumez le variateur ESC.
4. Appuyez sur le bouton du SR315 pour démarrer le mode affectation. La DEL du SR315 se met à clignoter.
5. Tout en maintenant le bouton d'affectation de l'émetteur enfoncé, appuyez sur le bouton d'alimentation (Power) pour mettre le émetteur sous tension. Relâchez le bouton d'affectation lorsque la DEL du SR315 s'arrête de clignoter.
6. Le véhicule est prêt à fonctionner.

Vous devez effectuer à nouveau l'affectation :

- Si différentes positions de sécurité intégrée sont nécessaires, par ex. lors de la modification des gaz ou de la direction.
- Lors de l'affectation du récepteur à un émetteur différent.



## VÉRIFICATION DE LA PORTÉE DU SYSTÈME RADIO

Contrôlez le système radio pour vous assurer de son bon fonctionnement et de sa portée adaptée avant d'utiliser le véhicule.

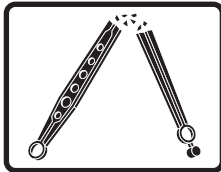
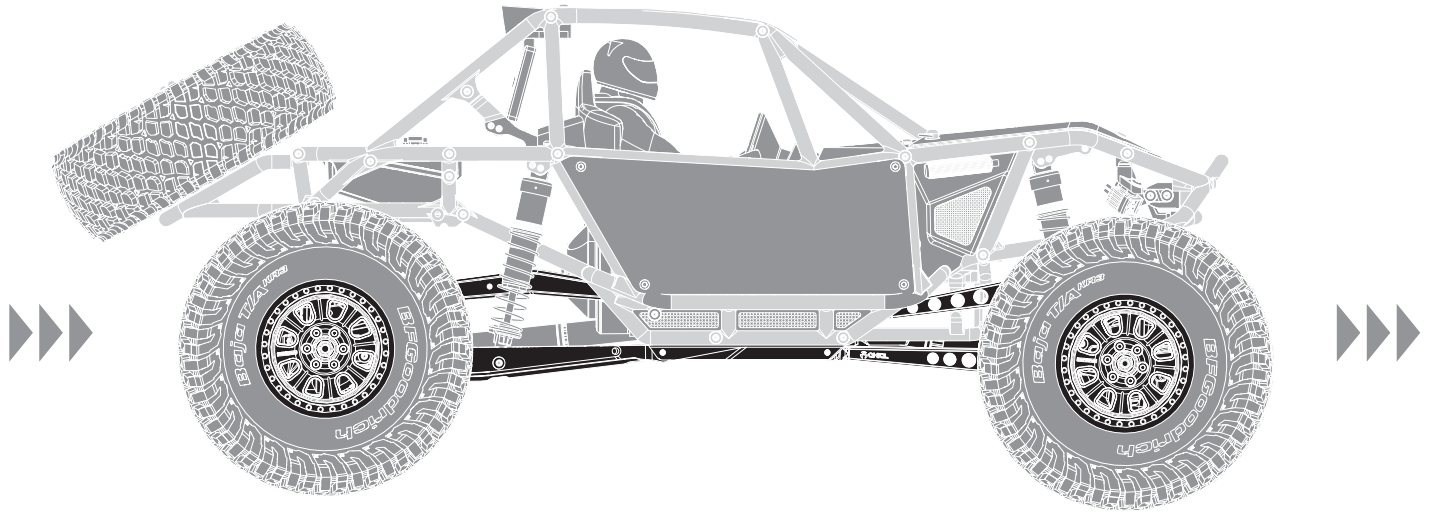
1. Allumez l'émetteur.
2. Connectez la batterie dans le véhicule.
3. Demandez à un ami de tenir le véhicule tout en gardant les mains et les vêtements amples à l'écart des pièces en mouvement.
4. Éloignez-vous jusqu'à la distance maximale prévue d'utilisation du véhicule.
5. Tournez le volant de chaque côté et faites fonctionner l'accélérateur en marche avant et arrière, en vous assurant qu'il n'y a aucun comportement irrégulier.
6. Si vous constatez un comportement irrégulier, NE PAS utiliser le véhicule. Appelez le service clientèle pour obtenir de l'aide.



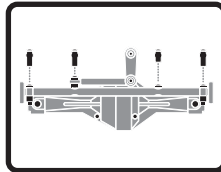


## ENTRETIEN DU VÉHICULE

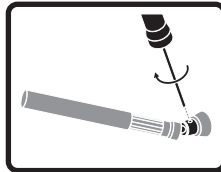
Just like a full size car or truck your RC vehicle must undergo periodic maintenance in order to ensure peak running performance. Preventative maintenance will also help avoid needless breakages which could result in costly repairs. Below are some suggestions to properly maintain your vehicle.



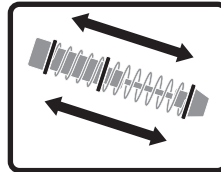
Remplacez les pièces visiblement tordues ou cassées



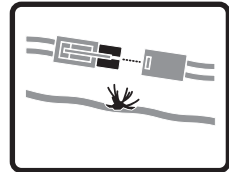
Contrôlez l'usure des joints à rotule dans la tringlerie de direction et de suspension (remplacez si nécessaire)



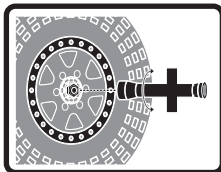
Contrôlez les vis de fixation de l'arbre de transmission et appliquez du frein-filet si nécessaire



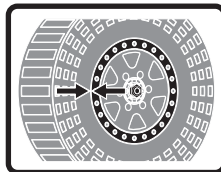
Vérifiez que les amortisseurs absorbent efficacement les chocs et de façon fluide



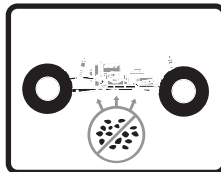
Assurez-vous qu'il n'y a aucune connexion lâche ou aucun fil effiloché



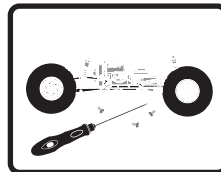
Vérifiez que les écrous de roue sont bien serrés



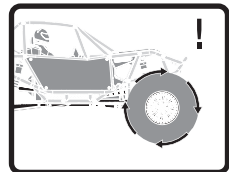
Assurez-vous que les talons de roue sont toujours fermement collés sur toute la circonférence de la jante



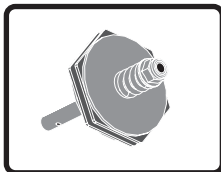
Assurez-vous que le châssis est exempt de crasse et de débris



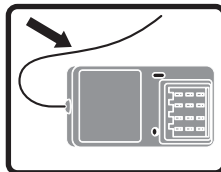
Vérifiez qu'il n'y a aucune vis desserrée sur le châssis, en particulier les vis de blocage des rotules, des moyeux en C et des essieux



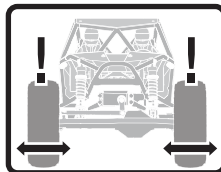
Vérifiez que la transmission fonctionne de façon fluide, sans grippages



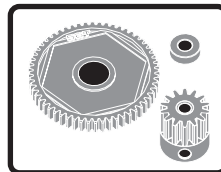
Le cas échéant, contrôlez le bon fonctionnement de l'embrayage



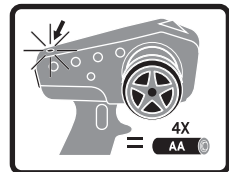
Vérifiez que l'antenne du récepteur n'est pas endommagée



Vérifiez que la direction n'est pas grippée

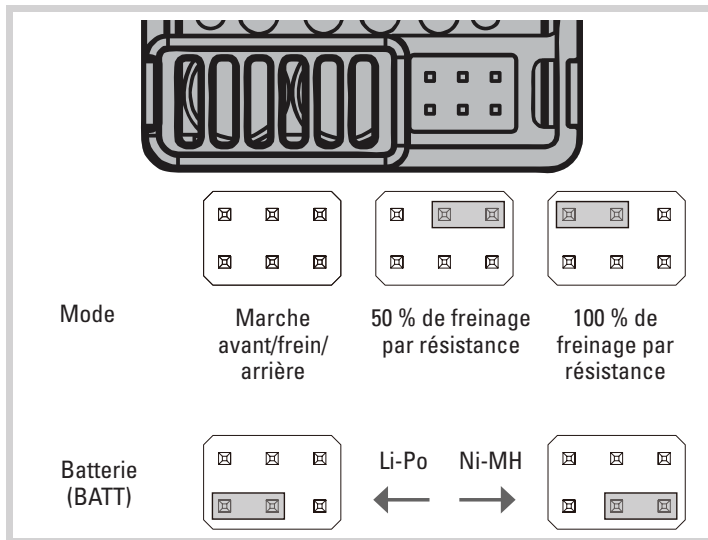
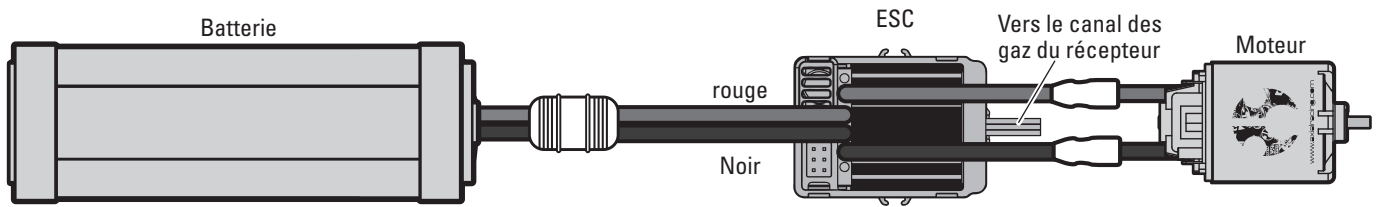


Vérifiez que les engrenages à pignons et les engrenages cylindriques ne sont pas endommagés



Remplacez les piles de l'émetteur lorsque l'émetteur vous y invite, comme décrit dans la section Fonctions de l'émetteur

# VARIATEUR ESC AVANT/ARRIÈRE DYN2213 AVEC FREINAGE PAR RÉSISTANCE



## PARAMÉTRAGE

Il n'est normalement pas nécessaire de calibrer les gaz au déballage. Toutefois, afin d'augmenter la portée des gaz sur différents émetteurs, il est nécessaire de calibrer le variateur ESC :

- Montez le variateur ESC à un endroit bien aéré et isolé des vibrations et des chocs.
- Connectez les fils du moteur du variateur ESC au moteur, rouge sur rouge et noir sur noir.
- Branchez le récepteur dans le canal des gaz du récepteur.
- Avant de brancher la batterie dans le variateur ESC, assurez-vous que votre émetteur est allumé et que le compensateur des gaz est réglé sur zéro.
- Raccordez la batterie au variateur ESC. Le véhicule sera mis sous tension une fois la batterie connectée.

**ATTENTION :** Maintenez toutes les parties du corps et tous les vêtements amples à l'écart des pièces en mouvement tant que la batterie est connectée au variateur ESC.

**ATTENTION :** Connectez toujours le variateur ESC uniquement à une source d'alimentation adaptée ayant la bonne tension et la bonne polarité. Une tension inadaptée ou une polarité inversée endommagera le variateur ESC. L'endommagement du variateur ESC causé par une tension inadaptée ou une polarité inversée n'est pas couvert par la garantie.

- Testez la commande de marche avant et de marche arrière à l'aide de l'émetteur.

Pour calibrer le variateur ESC :

- Allumez l'émetteur et mettez la commande des gaz sur neutre.
- Connectez la batterie au variateur ESC et attendez 3 secondes que le variateur ESC initialise un autodiagnostic et un calibrage automatique des gaz.
- Le variateur ESC est prêt à fonctionner lorsque vous entendez un bip long provenant du moteur.
- Déconnectez toujours la batterie lorsque le véhicule n'est pas utilisé.

## REMARQUES

- La coupure de batterie LiPo est réglée en usine sur « ON » (active).

## CARACTÉRISTIQUES TECHNIQUES

Type	Moteur à balais
Intensité continue/en crête	60A/360A
Résistance	0,0008 Ohm
Fonctions	Avant/Frein arrière, Avant/arrière, Avant/arrière (Mode Crawler)
Type de véhicule	1/10 piste et TT; 1/10 Rock Crawler
Fonctionnement	Marche avant et arrière proportionnelles, frein temporisé, Mode Crawler
Tension d'alimentation	2 à 3S Li-Po/Li-Fe; 5 à 7 éléments Ni-MH/Ni-Cd
Type de moteur	Moteurs classe 540/550 non démontables: Jusqu'à 12T sous 2S Li-Po; Jusqu'à 35T sous 3S Li-Po
Sortie BEC	6V/3A
Protection anti-surchauffe	Thermique
Dimensions	35,6mm x 34mm x 18mm
Masse	40 g avec câbles
Connecteur de batterie	EC3
Connecteurs moteur	Cylindrique diamètre 3.5mm

## INDICATIONS DES DELS

OPERATION	STATUT DES DELS	ALERTE
Stop	OFF	
Marche avant partielle	Clignotante	
Avant (plein gaz)	Fixe	
Marche arrière	Clignotante	
Frein partiel	Clignotante	
Frein maxi	Clignotante	
Ni-MH/Ni-CD Batterie		1 bip court
2S Batterie Li-Po		2 bips courts
3S Batterie Li-Po		3 bips courts
Contrôleur prêt		1 bip long
Tension faible de la batterie	Clignotante	
Surchauffe	Clignotante	

# RAPPORTS DE TRANSMISSION

Use this equation to calculate the final drive ratio.  
**Final Drive Gear Ratio = (Spur/Pinion)x5.67**

Mit dieser Gleichung können Sie die Gesamtübersetzung berechnen.

**Gesamtübersetzung = (Spur/Pinion)x5.67**

**Slower - More Torque**  
**Langsamer - Mehr Kraft**



**Faster - Less Torque**  
**Schneller - Weniger Kraft**

**32 Pitch 38T/13T (Stock Gearing AX30392 or HD AX30395)**

Pinion	Spur Gear			
	56	60	64	68
11	28.85	30.91	32.97	35.03
12	26.44	28.33	30.22	32.11
13	24.41	26.15	27.90	29.64
14	22.67	24.88	25.90	27.52
15	21.15	22.67	24.18	25.69
16	19.83	21.25	22.67	24.08
17	18.67	20.00	21.33	22.67

**32 Pitch 36T/14T (Overdrive HD Gearing AX30401)**

Pinion	Spur Gear			
	56	60	64	68
11	25.38	27.19	29.00	30.81
12	23.26	24.92	26.58	28.25
13	21.47	23.01	24.54	26.07
14	19.94	21.36	21.94	22.60
15	19.61	19.94	21.27	22.60
16	17.45	18.69	19.94	21.18
17	16.42	17.59	18.77	19.94

**32 Pitch 43T/13T (Underdrive HD Gearing AX30402)**

Pinion	Spur Gear			
	56	60	64	68
11	32.64	34.97	37.31	39.64
12	29.92	32.06	34.20	36.33
13	27.62	29.59	31.57	33.54
14	25.65	27.48	29.31	31.14
15	23.94	25.65	27.36	29.07
16	22.44	24.04	25.65	27.25
17	21.12	22.63	24.14	25.65

## GUIDE DE DÉPANNAGE

PROBLÈME	CAUSE POSSIBLE	SOLUTION
Le véhicule ne bouge pas	Les piles ne sont pas installées correctement dans l'émetteur	Assurez-vous que les piles sont correctement installées dans l'émetteur
	Batterie faible ou absente dans le véhicule	Installez une batterie venant d'être chargée dans le véhicule
	Moteur endommagé	Remplacez le moteur
	Câblage effiloché ou cassé	Remplacez tout fil endommagé
	Le variateur ESC est coupé par le circuit de protection contre la surchauffe	Laissez le variateur ESC refroidir complètement
Perte de contrôle du véhicule	Mauvais placement de l'antenne	Assurez-vous que l'antenne de l'émetteur n'est pas bloquée et que l'antenne du récepteur est bien placée
	Batteries faibles ou absentes dans l'émetteur ou le véhicule	Installez une batterie venant d'être chargée dans le véhicule et des piles neuves dans l'émetteur
	Mauvaise position neutre ou du compensateur	Ajustez le compensateur de direction
	Mauvaise connexion du récepteur et/ou de la batterie	Contrôlez toutes les connexions du récepteur et de la batterie
La fonction de direction et/ou des gaz est inversée	La course du servo est inversée au niveau de l'émetteur	Mettez le commutateur d'inversion de servo de l'émetteur à la bonne position
	Les câbles du moteur sont mal connectés	Vérifiez que tous les câbles du moteur sont bien connectés et sont à la bonne polarité

## GARANTIE ET RÉPARATIONS

### Durée de la garantie

Garantie exclusive - Horizon Hobby, LLC (Horizon) garantit que le Produit acheté (le « Produit ») sera exempt de défauts matériels et de fabrication à sa date d'achat par l'Acheteur. La durée de garantie correspond aux dispositions légales du pays dans lequel le produit a été acquis. La durée de garantie est de 6 mois et la durée d'obligation de garantie de 18 mois à l'expiration de la période de garantie.

### Limitations de la garantie

- La garantie est donnée à l'acheteur initial (« Acheteur ») et n'est pas transférable. Le recours de l'acheteur consiste en la réparation ou en l'échange dans le cadre de cette garantie. La garantie s'applique uniquement aux produits achetés chez un revendeur Horizon agréé. Les ventes faites à des tiers ne sont pas couvertes par cette garantie. Les revendications en garantie seront acceptées sur fourniture d'une preuve d'achat valide uniquement. Horizon se réserve le droit de modifier les dispositions de la présente garantie sans avis préalable et révoque alors les dispositions de garantie existantes.
- Horizon n'endosse aucune garantie quant à la vendabilité du produit ou aux capacités et à la forme physique de l'utilisateur pour une utilisation donnée du produit. Il est de la seule responsabilité de l'acheteur de vérifier si le produit correspond à ses capacités et à l'utilisation prévue.
- Recours de l'acheteur – Il est de la seule discrétion d'Horizon de déterminer si un produit présentant un cas de garantie sera réparé ou échangé. Ce sont là les recours exclusifs de l'acheteur lorsqu'un défaut est constaté.

Horizon se réserve la possibilité de vérifier tous les éléments utilisés et susceptibles d'être intégrés dans le cas de garantie. La décision de réparer ou de remplacer le produit est du seul ressort d'Horizon. La garantie exclut les défauts esthétiques ou les défauts provoqués par des cas de force majeure, une manipulation incorrecte du produit, une utilisation incorrecte ou commerciale de ce dernier ou encore des modifications de quelque nature qu'elles soient.

La garantie ne couvre pas les dégâts résultant d'un montage ou d'une manipulation erronés, d'accidents ou encore du fonctionnement ainsi que des tentatives d'entretien ou de réparation non effectuées par Horizon. Les retours effectués par le fait de l'acheteur directement à Horizon ou à l'une de ses représentations nationales requièrent une confirmation écrite.

### Limitation des dommages

Horizon ne saurait être tenu pour responsable de dommages conséquents directs ou indirects, de pertes de revenus ou de pertes commerciales, liés de quelque manière que ce soit au produit et ce, indépendamment du fait qu'un recours puisse être formulé en relation avec un contrat, la garantie ou l'obligation de garantie. Par ailleurs, Horizon n'acceptera pas de recours issus d'un cas de garantie lorsque ces recours dépassent la valeur unitaire du produit. Horizon n'exerce aucune influence sur le montage, l'utilisation ou la maintenance du produit ou sur d'éventuelles combinaisons de produits choisies par l'acheteur. Horizon ne prend en compte aucune garantie et n'accepte aucun recours pour les blessures ou les dommages pouvant en résulter. Horizon Hobby ne saurait être tenu responsable d'une utilisation ne respectant pas les lois, les règles ou réglementations en vigueur.

En utilisant et en montant le produit, l'acheteur accepte sans restriction ni réserve toutes les dispositions relatives à la garantie figurant dans le présent document. Si vous n'êtes pas prêt, en tant qu'acheteur, à accepter ces dispositions en relation avec l'utilisation du produit, nous vous demandons de restituer au vendeur le produit complet, non utilisé et dans son emballage d'origine.

### Indications relatives à la sécurité

Ceci est un produit de loisirs perfectionné et non un jouet. Il doit être utilisé avec précaution et bon sens et nécessite quelques aptitudes mécaniques ainsi que mentales. L'incapacité à utiliser le produit de manière sûre et raisonnable peut provoquer des blessures et des dégâts matériels conséquents. Ce produit n'est pas destiné à être utilisé par des enfants sans la surveillance par un tuteur. La notice d'utilisation contient des indications relatives à la sécurité ainsi que des indications concernant la maintenance et le fonctionnement du produit. Il est absolument indispensable de lire et de comprendre ces indications avant la première mise en service. C'est uniquement ainsi qu'il sera possible d'éviter une manipulation erronée et des accidents entraînant des blessures et des dégâts. Horizon Hobby ne saurait être tenu responsable d'une utilisation ne respectant pas les lois, les règles ou réglementations en vigueur.

### Questions, assistance et réparations

Votre revendeur spécialisé local et le point de vente ne peuvent effectuer une estimation d'éligibilité à l'application de la garantie sans avoir consulté Horizon. Cela vaut également pour les réparations sous garantie. Vous voudrez bien, dans un tel cas, contacter le revendeur qui conviendra avec Horizon d'une décision appropriée, destinée à vous aider le plus rapidement possible.

### Maintenance et réparation

Si votre produit doit faire l'objet d'une maintenance ou d'une réparation, adressez-vous soit à votre revendeur spécialisé, soit directement à Horizon. Emballez le produit soigneusement. Veuillez noter que le carton d'emballage d'origine ne suffit pas, en règle générale, à protéger le produit des dégâts pouvant survenir pendant le transport. Faites appel à un service de messagerie proposant une fonction de suivi et une assurance, puisque Horizon ne prend aucune responsabilité pour l'expédition du produit jusqu'à sa réception acceptée. Veuillez joindre une preuve d'achat, une description détaillée des défauts ainsi qu'une liste de tous les éléments distincts envoyés. Nous avons de plus besoin d'une adresse complète, d'un numéro de téléphone (pour demander des renseignements) et d'une adresse de courriel.

### Garantie et réparations

Les demandes en garantie seront uniquement traitées en présence d'une preuve d'achat originale émanant d'un revendeur spécialisé agréé, sur laquelle figurent le nom de l'acheteur ainsi que la date d'achat. Si le cas de garantie est confirmé, le produit sera réparé. Cette décision relève uniquement d'Horizon Hobby.

### Réparations payantes

En cas de réparation payante, nous établissons un devis que nous transmettons à votre revendeur. La réparation sera seulement effectuée après que nous ayons reçu la confirmation du revendeur. Le prix de la réparation devra être acquitté au revendeur. Pour les réparations payantes, nous facturons au minimum 30 minutes de travail en atelier ainsi que les frais de réexpédition. En l'absence d'un accord pour la réparation dans un délai de 90 jours, nous nous réservons la possibilité de détruire le produit ou de l'utiliser autrement.

**ATTENTION: Nous n'effectuons de réparations payantes que pour les composants électroniques et les moteurs. Les réparations touchant à la mécanique, en particulier celles des hélicoptères et des voitures radiocommandées, sont extrêmement coûteuses et doivent par conséquent être effectuées par l'acheteur lui-même.**

10/15

## INFORMATIONS DE CONTACT POUR GARANTIE ET RÉPARATION

Pays d'achat	Horizon Hobby	Numéro de téléphone/E-mail	Adresse
Union européenne	Horizon Technischer Service Sales: Horizon Hobby GmbH	service@horizonhobby.eu +49 (0) 4121 2655 100	Hanskampring 9 D 22885 Barsbüttel, Germany

## INFORMATION IC

**CAN ICES-3 (B)/NMB-3(B)**

**IC: 6157A-KATY1T / IC: 6157A-SRIRVINGV1**

Le présent appareil est conforme aux CNR d'Industrie Canada applicables aux appareils radio exempts de licence. L'exploitation est autorisée aux deux conditions suivantes : (1) l'appareil ne doit pas produire de brouillage, et (2) l'utilisateur de l'appareil doit accepter tout brouillage radioélectrique subi, même si le brouillage est susceptible d'en compromettre le fonctionnement.

## INFORMATIONS DE CONFORMITÉ POUR L'UNION EUROPÉENNE

**CE** EU COMPLIANCE STATEMENT:

**AXI03016 - RR10 Bomber 1/10th 4WD RTR**

Horizon Hobby, LLC déclare par la présente que ce produit est en conformité avec les exigences essentielles et les autres dispositions des directives CEM et RED.

Une copie de la déclaration de conformité européenne est disponible à : <http://www.horizonhobby.com/content/support-render-compliance>.

**OPERATING FREQUENCY: 2402.0 - 2478.0 MHZ, MAX EIRP: 17.5DBM**



### INSTRUCTIONS RELATIVES À L'ÉLIMINATION DES D3E POUR LES UTILISATEURS RÉSIDANT DANS L'UNION EUROPÉENNE

Ce produit ne doit pas être éliminé avec d'autres déchets. Il relève de la responsabilité de l'utilisateur d'éliminer les équipements mis au rebut en les remettant à un point de collecte désigné en vue du recyclage des déchets d'équipements électriques et électroniques. La collecte et le recyclage séparés de vos équipements au moment de leur élimination aideront à préserver les ressources naturelles et à garantir que les déchets seront recyclés de manière à protéger la santé humaine et l'environnement. Pour plus d'informations quant aux lieux de dépôt de vos équipements mis au rebut en vue du recyclage, veuillez contacter votre mairie, votre service de traitement des ordures ménagères ou le magasin dans lequel vous avez acheté le produit.

## AVVISO

Tutte le istruzioni, le garanzie e gli altri documenti pertinenti sono soggetti a cambiamenti a totale discrezione di Horizon Hobby, LLC. Per una documentazione aggiornata sul prodotto, visitare il sito [horizonhobby.com](http://horizonhobby.com) e fare clic sulla sezione Support del prodotto.


## CONVENZIONI TERMINOLOGICHE

Nella documentazione relativa al prodotto vengono utilizzati i seguenti termini per indicare i vari livelli di pericolo potenziale durante l'uso del prodotto:

**AVVERTENZA:** Indica procedure che, se non debitamente seguite, determinano il rischio di danni alle cose, danni collaterali e gravi lesioni alle persone o il rischio elevato di lesioni superficiali alle persone.

**ATTENZIONE:** Indica procedure che, se non debitamente seguite, determinano il rischio di danni alle cose e di gravi lesioni alle persone.

**AVVISO:** Indica procedure che, se non debitamente seguite, possono determinare il rischio di danni alle cose e il rischio minimo o nullo di lesioni alle persone.

 **AVVERTENZA:** leggere TUTTO il manuale di istruzioni e familiarizzare con le caratteristiche del prodotto prima di farlo funzionare. Un uso improprio del prodotto può causare danni al prodotto stesso e alle altre cose e gravi lesioni alle persone.

Questo modello è un prodotto sofisticato per appassionati di modellismo. Deve essere azionato in maniera attenta e responsabile e richiede alcune conoscenze basilari di meccanica. L'uso improprio o irresponsabile di questo prodotto può causare lesioni alle persone e danni al prodotto stesso o alle altre cose. Questo prodotto non deve essere utilizzato dai bambini senza la diretta supervisione di un adulto. Non tentare di smontare, utilizzare componenti incompatibili o modificare il prodotto in nessun caso senza previa approvazione di horizon hobby, llc. Questo manuale contiene le istruzioni per la sicurezza, l'uso e la manutenzione del prodotto. È fondamentale leggere e seguire tutte le istruzioni e le avvertenze del manuale prima di montare, impostare o utilizzare il prodotto, al fine di utilizzarlo correttamente e di evitare di causare danni alle cose o gravi lesioni alle persone.


**Limite minimo di età consigliato: Almeno 14 anni. Non è un giocattolo.**

## PRECAUZIONI E AVVERTENZE SULLA SICUREZZA

L'utente di questo prodotto è l'unico responsabile del corretto utilizzo del medesimo in maniera che non sia pericoloso, sia nei propri riguardi che nei confronti di terzi e non danneggi il prodotto stesso o l'altrui proprietà.

Questo modello è controllato da un segnale radio potenzialmente soggetto a interferenze da molte fonti che non potete controllare. Queste interferenze possono generare momentanee perdite di controllo del modello, quindi è consigliabile mantenere sempre una certa distanza di sicurezza in ogni direzione, poichè questo può aiutare ad evitare urti o infortuni.

- Non utilizzare mai il modello con batterie scariche.
- Utilizzate sempre il modello in zone ampie, sgombre da persone, macchine e traffico.
- Non utilizzate mai il modello in strade aperte al traffico o in luoghi affollati.
- Seguite attentamente le avvertenze d'uso di questo modello e di ogni altro accessorio (caricabatterie, batterie ricaricabili ecc.).
- Tenete qualsiasi prodotto chimico o elettrico al di fuori della portata dei bambini.
- Non leccate o ingerite alcun pezzo del modello perchè questo può causare infortuni seri, o addirittura la morte.
- Utilizzate sempre con attenzione attrezzi e oggetti affilati.
- Prestare attenzione durante la costruzione perché alcune parti potrebbero avere degli spigoli vivi.
- Subito dopo l'uso NON toccate componenti del modello quali motore, variatore elettronico o la batteria, perchè si scaldano molto durante il funzionamento. Toccandoli potreste scottarvi.
- Non infilate le dita tra gli ingranaggi del modello o altre parti in rotazione o movimento, poichè questo può causare danni o infortuni gravi.
- Accendete sempre prima la trasmittente e poi la ricevente sul modello. Invece spegnete sempre prima la ricevente e poi la trasmittente.
- Sollevate le ruote del modello da terra quando controllate il corretto funzionamento dell'apparato radio.

 **AVVERTENZA CONTRO PRODOTTI CONTRAFFATTI:** Acquistate sempre da rivenditori autorizzati Horizon Hobby per essere certi di avere prodotti originali Spektrum di alta qualità. Horizon Hobby rifiuta qualsiasi supporto o garanzia riguardo, ma non limitato a, compatibilità e prestazioni di prodotti contraffatti o che dichiarano compatibilità con DSM o Spektrum.

## INDICE

Veicolo resistente all'acqua con elettronica impermeabile.....	39	Manutenzione del veicolo .....	45
Contenuto della scatola .....	40	ESC avanti/indietro DYNS2210 con aerofreno .....	46
Apparecchiature necessarie .....	40	Rapporto di riduzione .....	47
Strumenti consigliati.....	40	Troubleshooting.....	47
Lista di controllo pre-utilizzo .....	41	Note.....	47
Parti del veicolo.....	41	Garanzia.....	48
Caricare la batteria del veicolo .....	42	Garanzia e assistenza - informazioni per i contatti.....	48
Installare le batterie del trasmettitore .....	42	Dichiarazione di conformità per l'unione europea.....	49
Funzioni della trasmittente .....	42	Riferimento componenti.....	50
Regolazione del supporto della batteria .....	43	Viste esplose.....	55
Installare la batteria del veicolo.....	43	Elenco componenti.....	59
Connessione (binding).....	44	Elettronica .....	61
Provare la portata del radiocomando .....	44		

## VEICOLO RESISTENTE ALL'ACQUA CON ELETTRONICA IMPERMEABILE

Il vostro nuovo veicolo Horizon Hobby è stato progettato e costruito con una combinazione di componenti impermeabili e resistenti all'acqua, per consentirvi di utilizzare il prodotto in molte situazioni "umide," incluse pozze, ruscelli, erba bagnata, neve e anche pioggia.

Sebbene tutto il veicolo sia altamente resistente all'acqua, tuttavia non è completamente impermeabile e NON si può trattare come fosse un sottomarino. I vari componenti elettronici usati sul veicolo, come il regolatore elettronico di velocità (ESC), i servi e il ricevitore, sono impermeabili, però molti dei componenti meccanici sono solo resistenti all'acqua e non si possono immergere.

Le parti metalliche, inclusi i cuscinetti, le cerniere, viti e dadi, come pure i contatti sui cavi elettrici, sono suscettibili di corrosione se non si fa una particolare manutenzione dopo l'uso sul bagnato. Per prolungare al massimo le prestazioni nel tempo e tenere valida la garanzia, le procedure descritte nella sezione "Manutenzione in condizioni umide," si devono applicare regolarmente se si sceglie di correre sul bagnato. Se non siete disposti ad eseguire questa manutenzione aggiuntiva, allora dovete evitare di utilizzare il veicolo in queste condizioni.

**ATTENZIONE:** L'uso incauto di questo prodotto o il mancato rispetto delle seguenti precauzioni può portare ad un malfunzionamento del prodotto e/o invalidare la garanzia.

### PRECAUZIONI GENERALI

- Leggete attentamente le procedure di manutenzione del vostro veicolo in condizioni umide, per essere sicuri di avere tutte le attrezzature necessarie per questo scopo.
- Non tutte le batterie si possono usare in condizioni di umidità. Consultate il costruttore delle batterie prima di utilizzarle. Bisogna avere cautela quando si usano le batterie Li-Po in condizioni di bagnato.
- Molti trasmettitori non sono resistenti all'acqua. Consultate i relativi manuali o il costruttore prima dell'utilizzo.
- Non utilizzate mai il vostro trasmettitore o il veicolo quando ci sono lampi.
- Non utilizzate il vostro veicolo quando c'è il rischio che entri in contatto con acqua salata (acqua marina o acqua proveniente da una strada su cui sia stato sparso del sale), acqua contaminata o inquinata. L'acqua salata è molto conduttiva e altamente corrosiva, perciò bisogna usare molta cautela.

- Anche il minimo contatto con l'acqua potrebbe ridurre la vita del vostro motore se non è stato certificato come impermeabile o resistente all'acqua. Se dovesse essere troppo umido, accelerate poco finché l'acqua non viene rimossa dal motore. Far girare forte un motore bagnato potrebbe danneggiarlo rapidamente.
- Guidare sul bagnato può ridurre la vita del motore. La resistenza aggiuntiva in queste condizioni causa uno sforzo eccessivo. Modificate il rapporto di riduzione diminuendo il pignone o aumentando la corona. Questo aumenta la coppia (e la vita del motore) quando si utilizza il veicolo nel fango, in pozzanghere profonde o qualsiasi altra situazione in cui l'umidità possa aumentare il carico del motore per lungo tempo.

### MANUTENZIONE IN CONDIZIONI UMIDE

- Scaricare l'acqua raccolta negli pneumatici facendoli girare ad alta velocità. Togliere la carrozzeria e rovesciare il veicolo, poi dare alcune brevi accelerate finché l'acqua non viene rimossa.



**ATTENZIONE:** Durante l'operazione precedente, tenere sempre lontano dalle parti rotanti mani, dita, attrezzi o altri oggetti liberi di muoversi.

- Togliere la batteria ed asciugarne i contatti. Se avete un compressore o una bombola di aria compressa, soffiare via l'eventuale acqua rimasta all'interno del connettore.
- Smontate le ruote/gomme dal veicolo e risciacquatele con attenzione per togliere il fango e la polvere usando un getto di acqua. Evitate di risciacquare i cuscinetti e la trasmissione.

**AVVISO:** Non usare acqua sotto pressione per pulire il vostro veicolo.

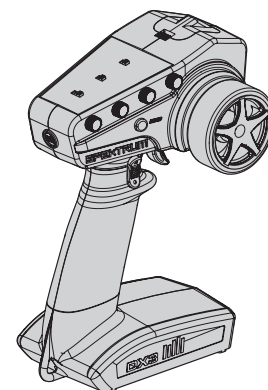
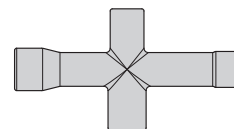
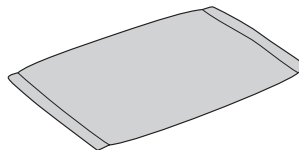
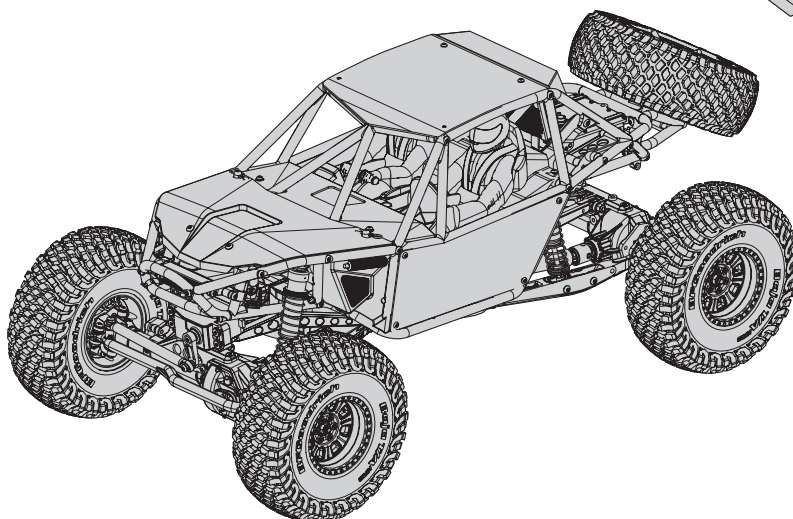
- Usate un compressore o una bombola di aria compressa per asciugare il veicolo e togliere i residui di acqua eventualmente rimasti nelle piccole fessure e negli angoli.
- Spruzzare un olio impermeabilizzante o un lubrificante su cuscinetti, elementi di fissaggio e altre parti metalliche. Non spruzzare sul motore.
- Lasciate che il veicolo si asciughi all'aria prima di riporlo. L'acqua (e l'olio) continuerà a sgocciolare per alcune ore.
- Smontate il veicolo più di frequente, ispezionando e lubrificando le parti seguenti:
  - I cuscinetti dei mozzi sugli assi anteriore e posteriore.
  - Tutte le scatole di trasmissione, ingranaggi e differenziali.
  - Pulite il motore con un adatto prodotto aerosol e rilubificate le boccole con olio leggero per motore.

## CONTENUTO DELLA SCATOLA

- Trasmittente Spektrum™ DX3™ 2,4 GHz (SPMS2340T)
- AXI03016 - RR10™ Bomber Scala 1/10 4WD RTR
  - Ricevitore SR315 3CH (SPMSR315)
  - Servo S614 15 KG (SPMS614)
  - Motore a spazzole 35T (AX31312)
  - ESC AE-5L con LED (DYNS2213)

- Busta per componenti

- Chiave a croce



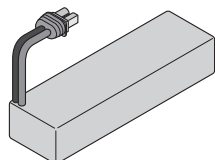
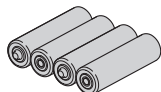
## APPARECCHIATURE NECESSARIE

- (4) Batterie alcaline AA

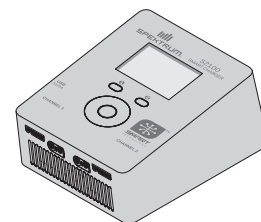
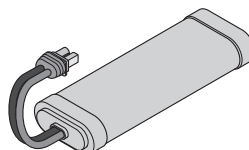
- Batteria LiPo 3S

- Batteria NiMH/NiCd a 5-9 celle  
(connettore IC3 necessario)

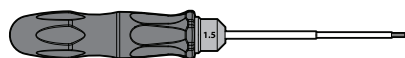
- Caricabatterie compatibile con il tipo di batteria scelto per il veicolo



O



## STRUMENTI CONSIGLIATI



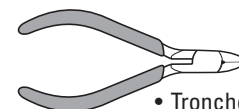
- Cacciaviti esagonali: (1,5, 2,0, 2,5 mm)



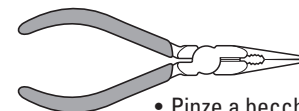
- Taglierino



- Forbici curve



- Tronchesino



- Pinze a becchi lunghi

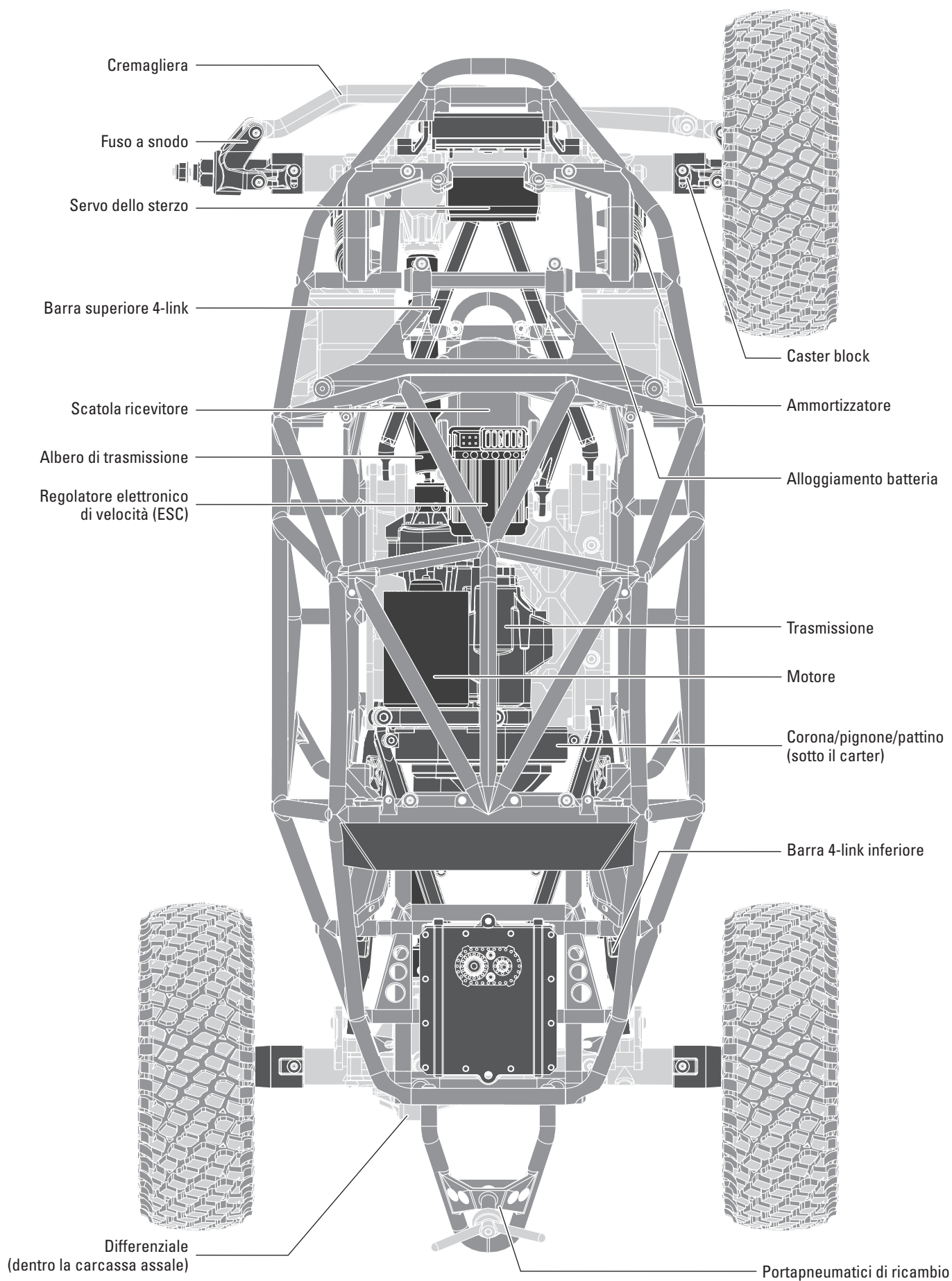
## LISTA DI CONTROLLO PRE-UTILIZZO

Leggere il manuale
Acquisire familiarità con il veicolo e i suoi componenti
Verificare che tutte le viti, in particolare le viti di fissaggio dell'albero di trasmissione, siano state ben serrate in fabbrica
Caricare la batteria del veicolo
Installare 4 batterie AA nella trasmittente

Accendere la trasmittente
Installare la batteria del veicolo nel modello
Verificare il corretto funzionamento dell'acceleratore e dello sterzo
Provare la portata del radiocomando
Ora è possibile pilotare il veicolo e mettersi alla prova: BUON DIVERTIMENTO!
Realizzare eventuali operazioni di manutenzione necessarie sul veicolo



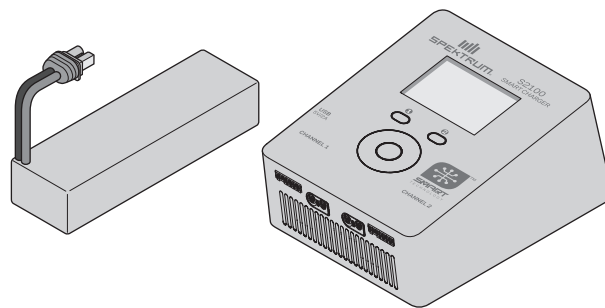
# PARTI DEL VEICOLO



## CARICARE LA BATTERIA DEL VEICOLO

Seguire le istruzioni del produttore affinché il caricabatterie carichi correttamente la batteria del veicolo.

**ATTENZIONE:** utilizzare esclusivamente caricabatterie progettati per la ricarica del tipo di batteria scelto. Utilizzando un caricabatterie errato o con impostazioni inadeguate, la batteria potrebbe prendere fuoco o esplodere.



## INSTALLARE LE BATTERIE DEL TRASMETTITORE

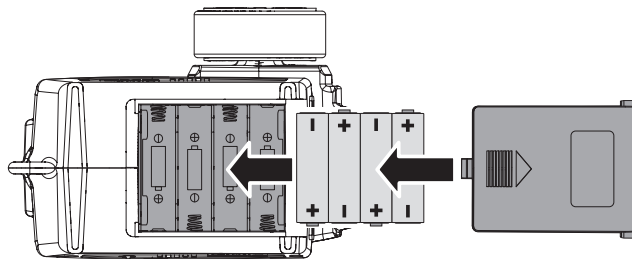
Per questo trasmettitore servono 4 pile AA.

1. Togliere il coperchio del portapile dal trasmettitore.
2. Inserire le pile come illustrato.
3. Rimettere a posto il coperchio del portapile.

**ATTENZIONE:** Non rimuovere mai le batterie dal trasmettitore mentre il modello è acceso. Una perdita di controllo del modello, danni o lesioni potrebbe verificarsi.

**ATTENZIONE:** se si usano anche le batterie ricaricabili, si raccomanda di caricare solo queste. È pericoloso caricare le pile a secco perché potrebbero esplodere causando lesioni e/o danni.

**ATTENZIONE:** se le batterie vengono sostituite con tipi non adatti, potrebbero esplodere. Le batterie si devono smaltire nel modo corretto secondo le disposizioni locali.



## FUNZIONI DELLA TRASMITTENTE

### A. Inversione dei servi

Per invertire il canale del throttle (TH) o dello sterzo (ST), modificare la posizione del rispettivo interruttore. "N" sta per normale, "R" per inverso.

### B. Trim del throttle

Regola il punto neutro del throttle.

### C. Trim di sterzata

Regola il punto centrale di sterzata. Di norma, il trim di sterzata è regolato finché il veicolo procede dritto.

### D. Tasso di throttle

Regolare tasso di frenata. (Per uso con ricevitori AVC)

### E. Tasso di sterzata

Regola il punto finale della sterzata

### F. Luci di indicazione

- Luci rosse fisse: indicano che la radio è connessa e il livello di carica della batteria è sufficiente
- Luci rosse lampeggianti: indicano che la tensione della batteria è molto bassa. Le batterie devono essere sostituite

### G. Limite di throttle

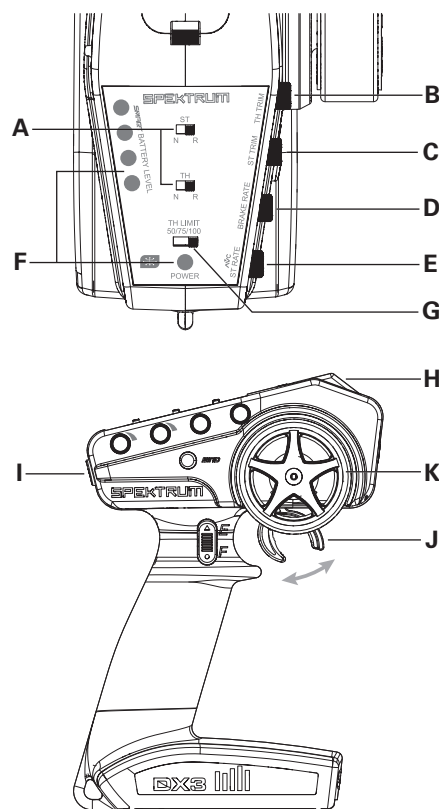
Limita la potenza del throttle al 50/75/100%. Selezionare 50% o 75% per piloti meno esperti o se si guida il veicolo in un'area ristretta.

### H. Antenna

### I. Pulsante alimentazione

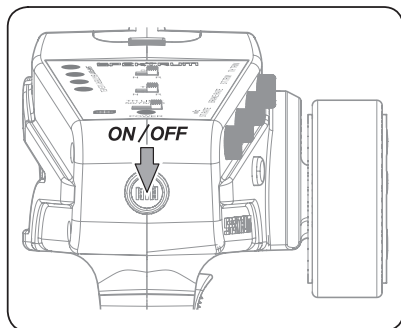
### J. Throttle/freno

### K. Ruota dello sterzo

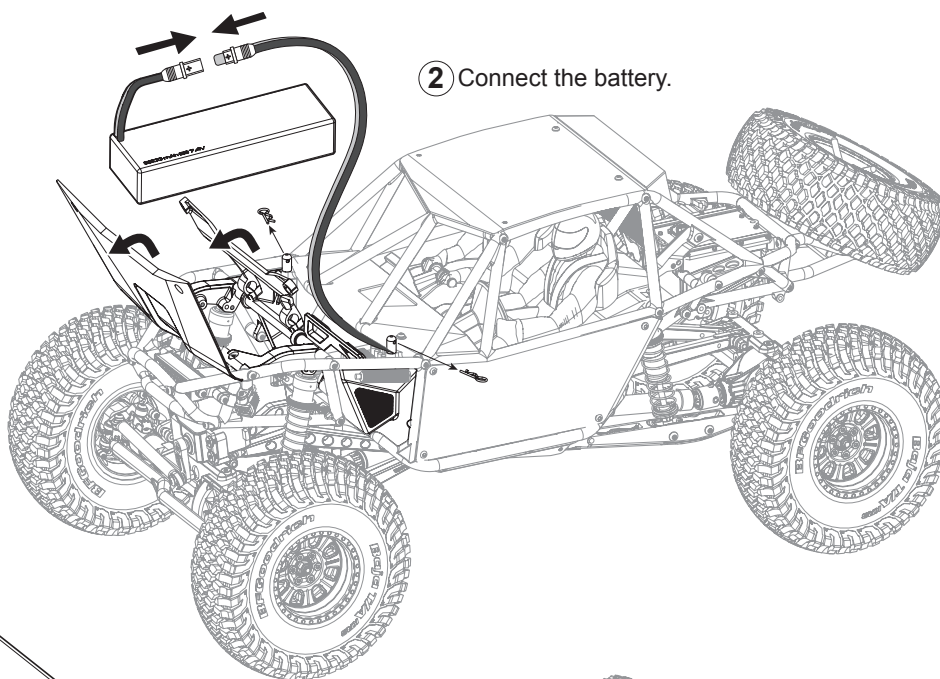


# INSTALLARE LA BATTERIA DEL VEICOLO

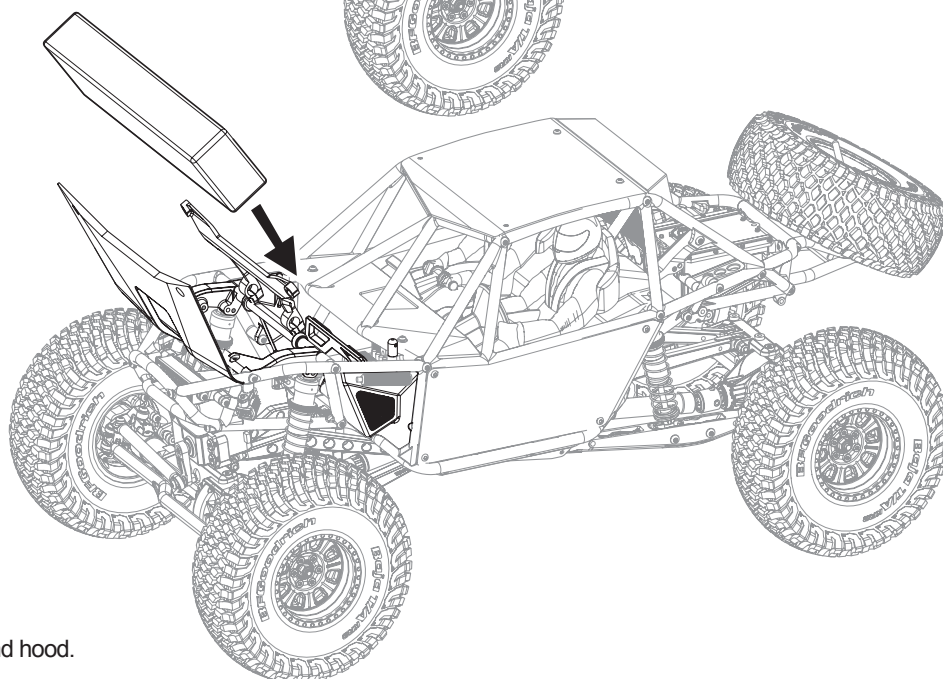
① Turn on the transmitter.



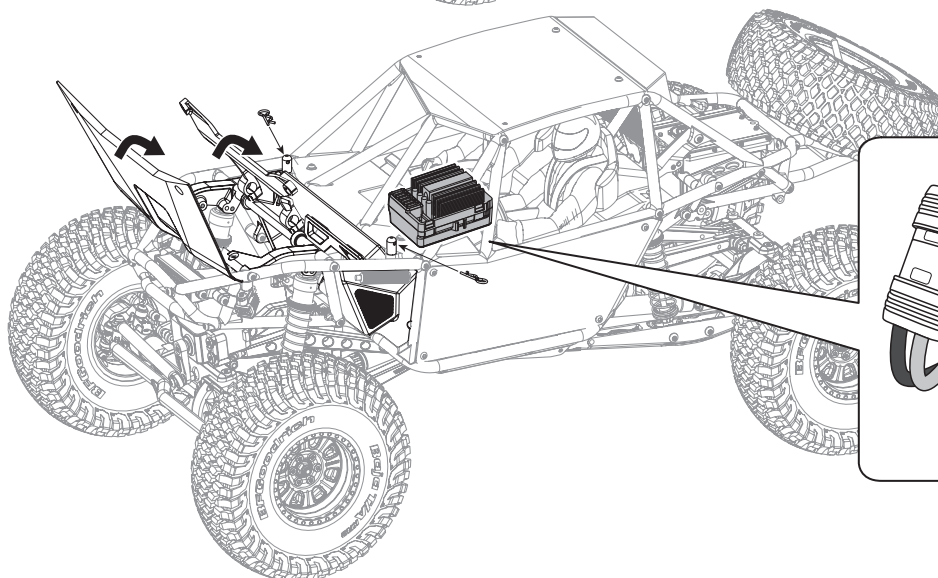
② Connect the battery.



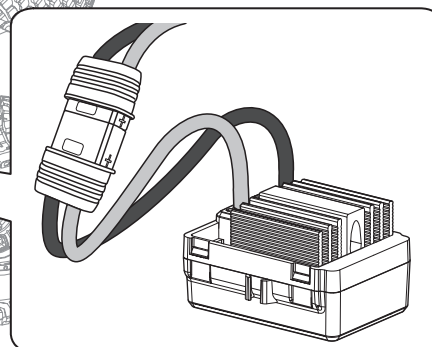
③ Install the battery



④ Close the battery tray and hood.



Note:  
Power to the vehicle is controlled  
by connecting / disconnecting the  
battery.



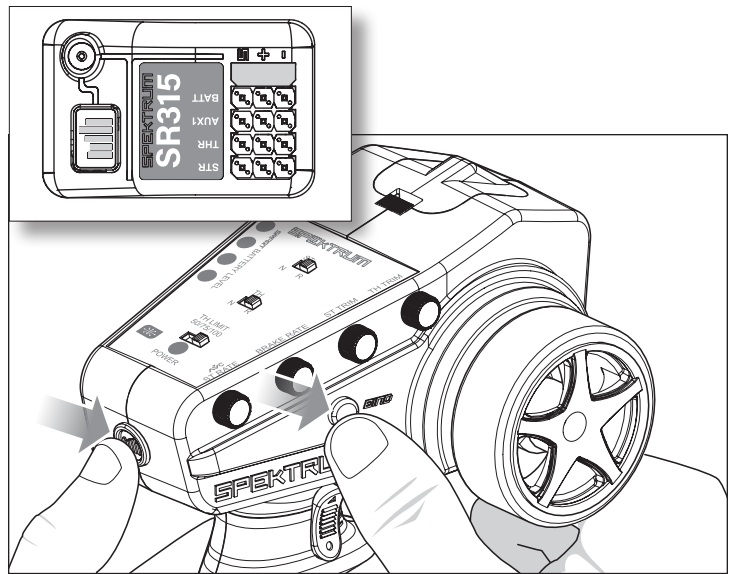
## CONNESSIONE (BINDING)

Il binding è la procedura di programmazione con la quale il ricevitore impara a riconoscere il codice identificativo universalmente univoco GUID (Globally Unique Identifier) della trasmittente cui viene associato. La trasmittente SPM2340 e il ricevitore SR315 sono associati tra loro già in fabbrica. Se è necessario ripetere il binding, seguire le istruzioni riportate di seguito.

1. Collegare un pacco batteria completamente carico all'ESC.
2. Centrare i quadranti ST TRIM e TH TRIM sulla trasmittente.
3. Accendere l'ESC.
4. Premere il tasto sul ricevitore SR315 per avviare la modalità di binding. Il LED sul ricevitore SR315 lampeggerà.
5. Tenendo premuto il pulsante Bind sulla trasmittente, premere il tasto di accensione per accendere la trasmittente. Rilasciare il pulsante Bind quando il LED sul ricevitore SR315 smette di lampeggiare.
6. Il veicolo è pronto all'uso.

Il binding va ripetuto quando:

- Per modificare le posizioni di failsafe. Per esempio quando si invertono i comandi di gas o sterzo.
- Si connette il ricevitore a una diversa trasmittente.



## PROVARE LA PORTATA DEL RADIOCOMANDO

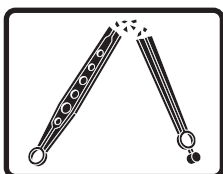
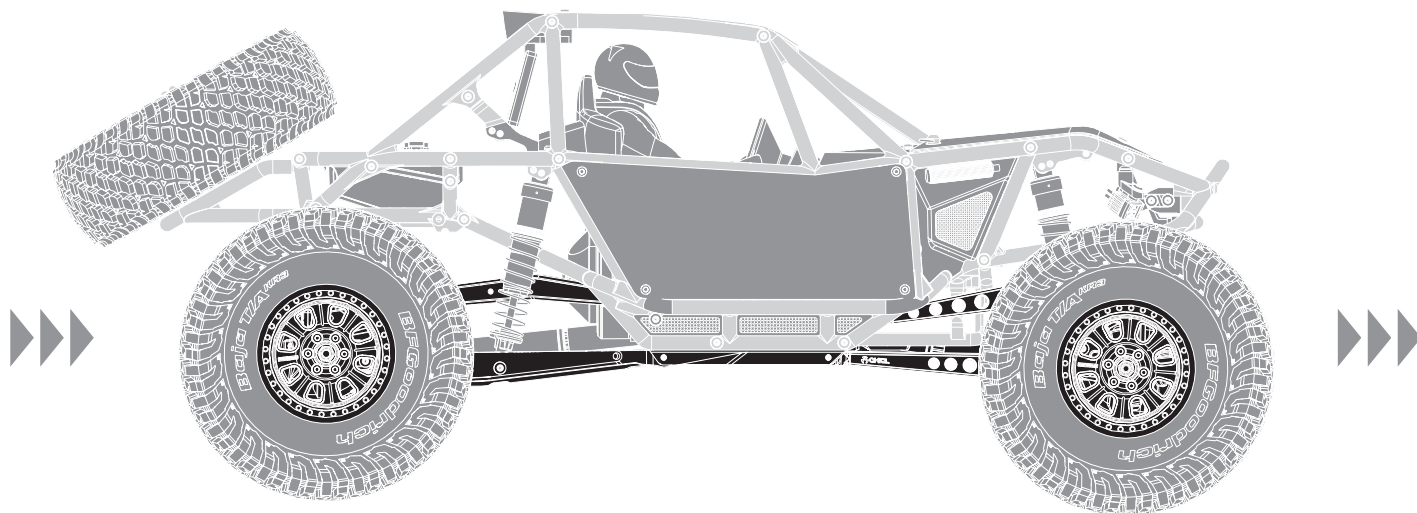
È opportuno testare il radiocomando prima di azionare il veicolo per garantirne il corretto funzionamento e una buona portata.

1. Accendere la trasmittente.
2. Collegare la batteria nel veicolo.
3. Chiedere a un'altra persona di reggere il veicolo tenendo mani e lembi di vestiario non aderenti lontano dalle parti mobili.
4. Allontanarsi fino a raggiungere la distanza massima di funzionamento pianificata dal veicolo.
5. Girare il volantino dello sterzo da un lato e dall'altro e azionare l'acceleratore, avanti e indietro, per verificare la presenza di eventuali comportamenti anomali.
6. In tal caso, NON utilizzare il veicolo. Chiamare il centro assistenza per ricevere aiuto.

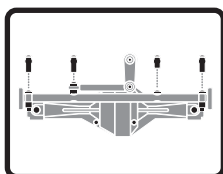


## MANUTENZIONE DEL VEICOLO

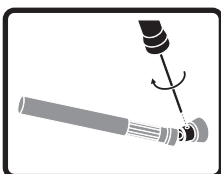
Just like a full size car or truck your RC vehicle must undergo periodic maintenance in order to ensure peak running performance. Preventative maintenance will also help avoid needless breakages which could result in costly repairs. Below are some suggestions to properly maintain your vehicle.



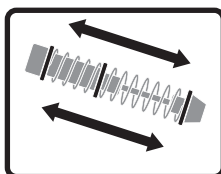
Sostituire eventuali componenti visibilmente piegati o danneggiati



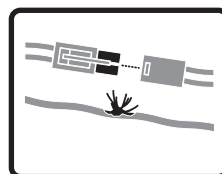
Verificare l'usura dei giunti sferici delle bielle dello sterzo e delle sospensioni (sostituirli se necessario)



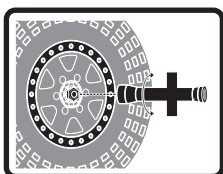
Verificare le viti di fissaggio dell'albero di trasmissione e applicare dei frenafili se necessario



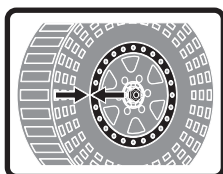
Verificare che gli ammortizzatori operino in modo fluido e regolare



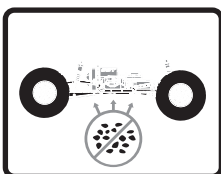
Verificare la presenza di parti allentate o cavi danneggiati



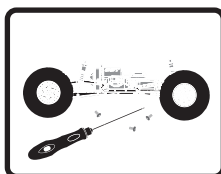
Verificare che i dadi delle ruote siano ben serrati



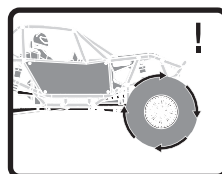
Assicurarsi che i talloni delle ruote aderiscano ancora perfettamente lungo tutta la circonferenza del cerchione



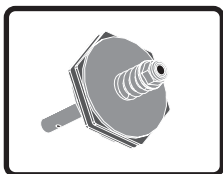
Mantenere il telaio privo di sporco o detriti



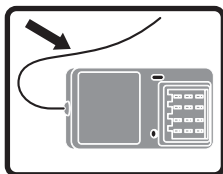
Verificare la presenza di viti allentate sul telaio, in particolare le viti di blocco dello snodo, del mozzo centrale e dell'assale



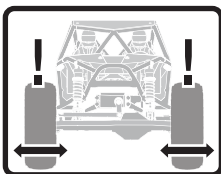
Verificare che la trasmissione operi in modo fluido e senza impedimenti



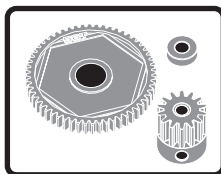
Se presente, verificare il funzionamento della frizione antisaltellamento



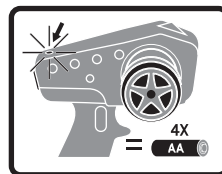
Verificare che l'antenna del ricevitore non sia danneggiata



Verificare che lo sterzo si muova liberamente

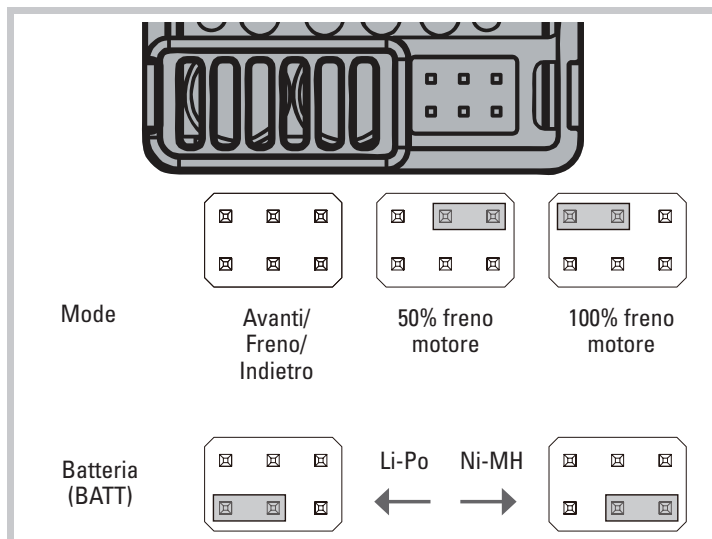
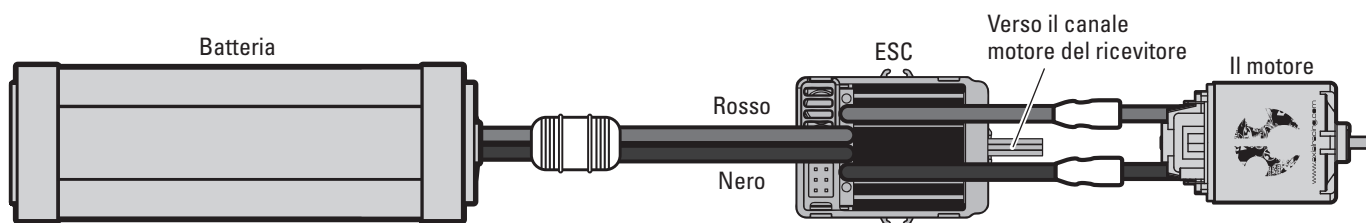


Ispezionare la corona e il pignone per verificare la presenza di danni



Sostituire le batterie della trasmittente quando indicato dalla trasmittente, come descritto al paragrafo 'Funzioni della trasmittente'

# ESC AVANTI/INDIETRO DYNS2213 CON FRENO MOTORE



## IMPOSTAZIONI INIZIALI

La calibrazione dell'acceleratore non dovrebbe essere necessaria al primo utilizzo dopo l'acquisto. Tuttavia, per regolare la corsa dell'acceleratore di diverse trasmettenti, è necessario calibrare l'ESC:

- montare l'ESC in un luogo ben ventilato e al riparo da vibrazioni o urti.
- Collegare i cavi del motore dell'ESC al motore rispettando i colori dei connettori, rosso-rosso e nero-nero.
- Collegare il ricevitore al canale del motore del ricevitore.
- Prima di inserire la batteria nell'ESC, assicurarsi che la trasmettente sia accesa e che il trim del motore sia su zero.
- Collegare la batteria all'ESC. Il veicolo si accenderà dopo aver collegato la batteria.

**ATTENZIONE:** tenere parti del corpo e lembi di vestiario non aderenti lontano dalle parti mobili quando la batteria è collegata all'ESC.

**ATTENZIONE:** collegare sempre l'ESC a una fonte di alimentazione idonea, con tensione e polarità corretti. Valori di tensione errati o polarità inversa possono danneggiare l'ESC. Eventuali danni all'ESC causati da tensione o polarità inadeguate non sono coperti dalla garanzia.

- Testare la marcia avanti e la retromarcia usando la trasmettente.

Per calibrare l'ESC:

- accendere la trasmettente e mettere il comando motore in posizione neutra.
- Collegare la batteria all'ESC e attendere 3 secondi affinché l'ESC avvii l'auto-verifica e la calibrazione automatica dell'acceleratore.
- L'ESC è pronto all'uso quando il motore emette un segnale acustico lungo.
- Scollegare sempre la batteria se il veicolo è inutilizzato.

## NOTE

- Il blocco della batteria LiPo è impostato su "ON" in fabbrica.

## SPECIFICHE

	Tipo	Con spazzole
Corrente di picco/Corrente costante		60A/360A
Resistenza interna		0,0008 Ohms
Funzioni		Avanti/Freno Reverse, Avanti/Freno, Avanti/Indietro (modalità Crawler)
Tipo di veicolo		1/10 da pista e fuoristrada; 1/10 crawler roccia
Operazioni		Marche avant et arrière proportionnelles, frein temporisé, modalità Crawler
Tipo di batterie/Tensione di alimentazione		2-3 celle Li-Po/Li-Fe; 5-7 celle Ni-MH/Ni-Cd
Tipo di motore		motori tipo 540/550 endbell chiuso: 2S Li-Po fino a 12T; 3S Li-Po fino a 35T
Uscita BEC		6V/3A
Protezione sovraccarico		Termica
Dimensioni		35,6mm x 34mm x 18mm
Peso		40 g con i cavi
Connettore batteria		Tipo EC3
Connettore motore		Tipo 3,5mm Tamiya

## INDICATORI LED

FUNZIONE	STATO LED	SUONO
Stop	OFF	
Motore in avanti parziale	Lampeggiante	
Avanti al massimo	Fisso	
Indietro	Lampeggiante	
Freno parziale	Lampeggiante	
Massimo freno	Lampeggiante	
Ni-MH/Ni-CD Batteria		1 beep corto
2S Li-Po Batteria		2 beep corti
3S Li-Po Batteria		3 beep corti
ESC pronto		1 beep lungo
Tensione batteria bassa	Lampeggiante	
Surriscaldamento	Lampeggiante	

## RAPPORTO DI RIDUZIONE

Use this equation to calculate the final drive ratio.  
**Final Drive Gear Ratio = (Spur/Pinion)x5.67**

Mit dieser Gleichung können Sie die Gesamtübersetzung berechnen.

**Gesamtübersetzung = (Spur/Pinion)x5.67**

**Slower - More Torque**  
**Langsamer - Mehr Kraft**



**Faster - Less Torque**  
**Schneller - Weniger Kraft**

**32 Pitch 38T/13T (Stock Gearing AX30392 or HD AX30395)**

Pinion	Spur Gear			
	56	60	64	68
11	28.85	30.91	32.97	35.03
12	26.44	28.33	30.22	32.11
13	24.41	26.15	27.90	29.64
14	22.67	24.88	25.90	27.52
15	21.15	22.67	24.18	25.69
16	19.83	21.25	22.67	24.08
17	18.67	20.00	21.33	22.67

**32 Pitch 36T/14T (Overdrive HD Gearing AX30401)**

Pinion	Spur Gear			
	56	60	64	68
11	25.38	27.19	29.00	30.81
12	23.26	24.92	26.58	28.25
13	21.47	23.01	24.54	26.07
14	19.94	21.36	21.94	22.60
15	19.61	19.94	21.27	22.60
16	17.45	18.69	19.94	21.18
17	16.42	17.59	18.77	19.94

**32 Pitch 43T/13T (Underdrive HD Gearing AX30402)**

Pinion	Spur Gear			
	56	60	64	68
11	32.64	34.97	37.31	39.64
12	29.92	32.06	34.20	36.33
13	27.62	29.59	31.57	33.54
14	25.65	27.48	29.31	31.14
15	23.94	25.65	27.36	29.07
16	22.44	24.04	25.65	27.25
17	21.12	22.63	24.14	25.65

## GUIDA ALLA RISOLUZIONE DEI PROBLEMI

PROBLEMA	POSSIBILE CAUSA	SOLUZIONE
Il veicolo non si muove	Le batterie non sono state installate correttamente nella trasmittente	Assicurarsi che le batterie della trasmittente siano installate correttamente
	Batteria scarica o assente nel veicolo	Installare una batteria appena ricaricata sul veicolo
	Motore danneggiato	Sostituire il motore
	Cavi danneggiati o rotti	Sostituire i cavi danneggiati
	L'ESC viene spento dal circuito di protezione termica	Lasciare raffreddare completamente l'ESC
Perdita del controllo del veicolo	Antenna posizionata in modo errato	Assicurarsi che l'antenna della trasmittente non sia bloccata e che l'antenna del ricevitore sia posizionata correttamente
	Batterie scariche o assenti nel veicolo	Installare una batteria appena ricaricata sul veicolo e batteria nuove sulla trasmittente
	Posizione neutra o del trim errata	Regolare il trim dello sterzo
	Ricevitore e/o batteria non collegati correttamente	Verificare tutti i collegamenti del ricevitore e della batteria
La funzione sterzo e/o acceleratore è invertita	La corsa del servo è invertita a livello della trasmittente	Mettere in posizione corretta l'interruttore d'inversione della corsa del servo sulla trasmittente
	I cavi del motore non sono collegati correttamente	Verificare che tutti i cavi del motore abbiano polarità corretta e siano ben collegati

## GARANZIA

### Periodo di garanzia

Garanzia esclusiva - Horizon Hobby, LLC (Horizon) garantisce che il prodotto acquistato (il "Prodotto") sarà privo di difetti relativi ai materiali e di eventuali errori di montaggio alla data di acquisto. Il periodo di garanzia è conforme alle disposizioni legali del paese nel quale il prodotto è stato acquistato. Tale periodo di garanzia ammonta a 6 mesi e si estende ad altri 18 mesi dopo tale termine.

### Limiti della garanzia

- (a) La garanzia è limitata all'acquirente originale (Acquirente) e non è cedibile a terzi. L'acquirente ha il diritto a far riparare o a far sostituire la merce durante il periodo di questa garanzia. La garanzia copre solo quei prodotti acquistati presso un rivenditore autorizzato Horizon. Altre transazioni di terze parti non sono coperte da questa garanzia. La prova di acquisto è necessaria per far valere il diritto di garanzia. Inoltre, Horizon si riserva il diritto di cambiare o modificare i termini di questa garanzia senza alcun preavviso e di escludere tutte le altre garanzie già esistenti.
- (b) Horizon non si assume alcuna garanzia per la disponibilità del prodotto, per l'adeguatezza o l'idoneità del prodotto a particolari previsti dall'utente. È sola responsabilità dell'acquirente il fatto di verificare se il prodotto è adatto agli scopi da lui previsti.
- (c) Richiesta dell'acquirente – spetta soltanto a Horizon, a propria discrezione riparare o sostituire qualsiasi prodotto considerato difettoso e che rientra nei termini di garanzia. Queste sono le uniche rivalse a cui l'acquirente si può appellare, se un prodotto è difettoso.

Horizon si riserva il diritto di controllare qualsiasi componente utilizzato che viene coinvolto nella rivalsa di garanzia. Le decisioni relative alla sostituzione o alla riparazione sono a discrezione di Horizon. Questa garanzia non copre dei danni superficiali o danni per cause di forza maggiore, uso errato del prodotto, un utilizzo che viola qualsiasi legge, regolamentazione o disposizione applicabile, negligenza, uso ai fini commerciali, o una qualsiasi modifica a qualsiasi parte del prodotto.

Questa garanzia non copre danni dovuti ad un'installazione errata, ad un funzionamento errato, ad una manutenzione o un tentativo di riparazione non idonei a cura di soggetti diversi da Horizon. La restituzione del prodotto a cura dell'acquirente, o da un suo rappresentante, deve essere approvata per iscritto dalla Horizon.

### Limiti di danno

Horizon non si riterrà responsabile per danni speciali, diretti, indiretti o consequenziali; perdita di profitto o di produzione; perdita commerciale connessa al prodotto, indipendentemente dal fatto che la richiesta si basa su un contratto o sulla garanzia. Inoltre la responsabilità di Horizon non supera mai in nessun caso il prezzo di acquisto del prodotto per il quale si chiede la responsabilità. Horizon non ha alcun controllo sul montaggio, sull'utilizzo o sulla manutenzione del prodotto o di combinazioni di vari prodotti. Quindi Horizon non accetta nessuna responsabilità per danni o lesioni derivanti da tali circostanze. Con l'utilizzo e il montaggio del prodotto l'utente acconsente a tutte le condizioni, limitazioni e riserve di garanzia citate in questa sede.

Qualora l'utente non fosse pronto ad assumersi tale responsabilità associata all'uso del prodotto, si suggerisce di restituire il prodotto intatto, mai usato e immediatamente presso il venditore.

### Indicazioni di sicurezza

Questo è un prodotto sofisticato di hobbistica e non è un giocattolo. Esso deve essere manipolato con cautela, con giudizio e richiede delle conoscenze basilari di meccanica e delle facoltà mentali di base. Se il prodotto non verrà manipolato in maniera sicura e responsabile potrebbero risultare delle lesioni, dei gravi danni a persone, al prodotto o all'ambiente circostante. Questo prodotto non è concepito per essere usato dai bambini senza una diretta supervisione di un adulto. Il manuale del prodotto contiene le istruzioni di sicurezza, di funzionamento e di manutenzione del prodotto stesso. È fondamentale leggere e seguire tutte le istruzioni e le avvertenze nel manuale prima di mettere in funzione il prodotto. Solo così si eviterà un utilizzo errato e si preveniranno incidenti, lesioni o danni.

### Domande, assistenza e riparazioni

Il vostro negozio locale e/o luogo di acquisto non possono fornire garanzie di assistenza o riparazione senza previo colloquio con Horizon. Questo vale anche per le riparazioni in garanzia. Quindi in tali casi bisogna interpellare un rivenditore, che si metterà in contatto subito con Horizon per prendere una decisione che vi possa aiutare nel più breve tempo possibile.

### Manutenzione e riparazione

Se il prodotto deve essere ispezionato o riparato, si prega di rivolgersi ad un rivenditore specializzato o direttamente ad Horizon. Il prodotto deve essere imballato con cura. Bisogna far notare che i box originali solitamente non sono adatti per effettuare una spedizione senza subire alcun danno. Bisogna effettuare una spedizione via corriere che fornisce una tracciabilità e un'assicurazione, in quanto Horizon non si assume alcuna responsabilità in relazione alla spedizione del prodotto. Inserire il prodotto in una busta assieme ad una descrizione dettagliata degli errori e ad una lista di tutti i singoli componenti spediti. Inoltre abbiamo bisogno di un indirizzo completo, di un numero di telefono per chiedere ulteriori domande e di un indirizzo e-mail.

### Garanzia e riparazione

Le richieste in garanzia verranno elaborate solo se è presente una prova d'acquisto in originale proveniente da un rivenditore specializzato autorizzato, nella quale è ben visibile la data di acquisto. Se la garanzia viene confermata, allora il prodotto verrà riparato o sostituito. Questa decisione spetta esclusivamente a Horizon Hobby.

### Riparazioni a pagamento

Se bisogna effettuare una riparazione a pagamento, effettueremo un preventivo che verrà inoltrato al vostro rivenditore. La riparazione verrà effettuata dopo l'autorizzazione da parte del vostro rivenditore. La somma per la riparazione dovrà essere pagata al vostro rivenditore. Le riparazioni a pagamento avranno un costo minimo di 30 minuti di lavoro e in fattura includeranno le spese di restituzione. Qualsiasi riparazione non pagata e non richiesta entro 90 giorni verrà considerata abbandonata e verrà gestita di conseguenza.

**ATTENZIONE: Le riparazioni a pagamento sono disponibili solo sull'elettronica e sui motori. Le riparazioni a livello meccanico, soprattutto per gli elicotteri e le vetture RC, sono molto costose e devono essere effettuate autonomamente dall'acquirente.**

10/15

## GARANZIA E ASSISTENZA - INFORMAZIONI PER I CONTATTI

Stato di acquisto	Horizon Hobby	Telefono/Indirizzo e-mail	Indirizzo
Unione Europea	Horizon Technischer Service Sales: Horizon Hobby GmbH	service@horizonhobby.de +49 (0) 4121 2655 100	Hanskampring 9 D 22885 Barsbüttel, Germany



## DICHIARAZIONE DI CONFORMITÀ PER L'UNIONE EUROPEA



### DICHIARAZIONE DI CONFORMITÀ UE:

**AXI03016 - RR10 Bomber 1/10th 4WD RTR**

Horizon Hobby, LLC dichiara che il presente prodotto è conforme ai requisiti essenziali e ad altre disposizioni rilevanti delle direttive RED e EMC. Una copia della dichiarazione di conformità UE è disponibile online all'indirizzo: <http://www.horizonhobby.com/content/support-render-compliance>.

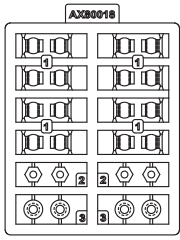
**OPERATING FREQUENCY: 2402.0 - 2478.0 MHZ, MAX EIRP: 17.5DBM**



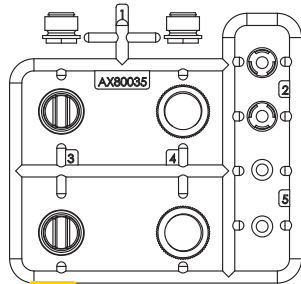
### ISTRUZIONI DEL RAEE PER LO SMALTIMENTO DA PARTE DI UTENTI DELL'UNIONE EUROPEA

Questo prodotto non deve essere smaltito assieme ai rifiuti domestici. Al contrario, l'utente è responsabile dello smaltimento di tali rifiuti che devono essere portati in un centro di raccolta designato per il riciclaggio di rifiuti elettrici e apparecchiature elettroniche. La raccolta differenziata e il riciclaggio di tali rifiuti provenienti da apparecchiature nel momento dello smaltimento aiuteranno a preservare le risorse naturali e garantiranno un riciclaggio adatto a proteggere il benessere dell'uomo e dell'ambiente. Per maggiori informazioni sui centri di raccolta, contattare il proprio ufficio locale, il servizio di smaltimento rifiuti o il negozio presso il quale è stato acquistato il prodotto.

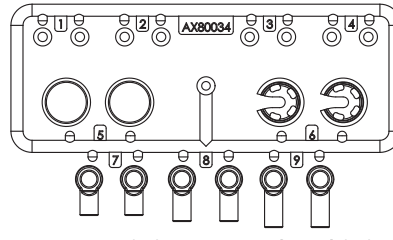
**PARTS REFERENCE // TEILEREFERENZ // RÉFÉRENCES DES PIÈCES // RIFERIMENTO COMPONENTI**



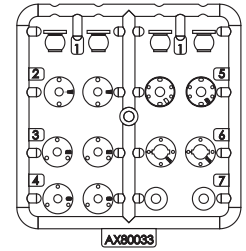
**AX80018 (x3)**  
Hardware parts tree  
Hardware-Teilebaum  
Arbre des pièces de quincaillerie  
Set bulloneria



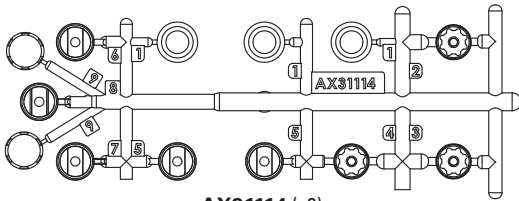
**AX80035 (x2) / AX31301 (Blue) (x2)**  
10mm Shock Caps Parts Tree  
10 mm Stoßdämpfer-Teilebaum  
Arbre des pièces d'amortisseurs 10 mm  
Set ricambi ammortizzatore 10 mm



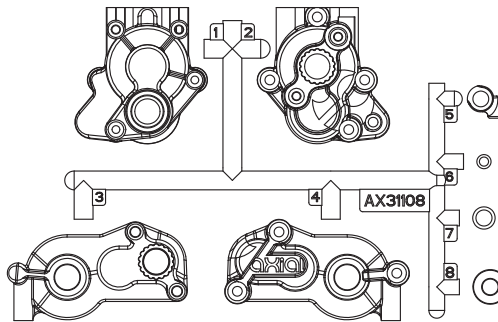
**AX80034 (x2) / AX31300 (Blue) (x2)**  
10mm Shock Parts Tree 2  
10 mm Stoßdämpfer-Teilebaum  
Arbre des pièces d'amortisseurs 10 mm  
Set ricambi ammortizzatore 10 mm



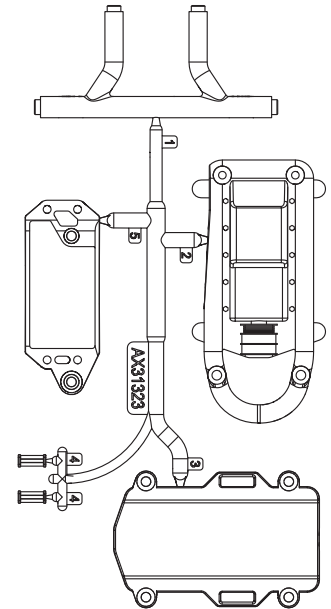
**AX80033 (x2)**  
10mm shock parts tree  
10 mm Stoßdämpfer-Teilebaum  
Arbre des pièces d'amortisseurs 10 mm  
Set ricambi ammortizzatore 10 mm



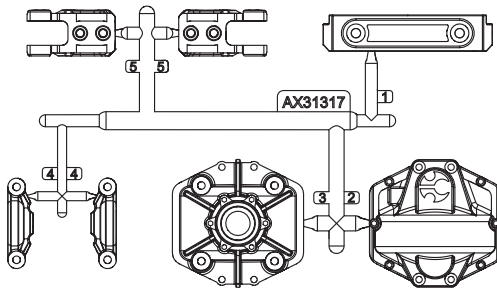
**AX31114 (x2)**  
WB8-HD Standard driveshaft  
WB8-HD Standard-Antriebswelle  
Arbre de transmission standard WB8-HD  
Albero di trasmissione standard WB8-HD



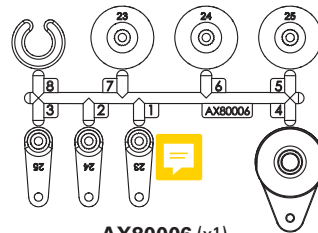
**AX31108 (x1)**  
2-Speed Hi/Lo Transmission Case  
2-Geschwindigkeiten Hi/Lo Getriebeabdeckung  
Boîtier de la transmission élevé/faible 2 vitesses  
Scatola trasmissione 2 velocità alta/bassa (HI/LO)



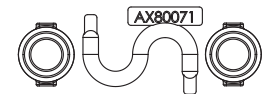
**AX31323 (x1)**  
RR10 Electronics Box  
RR10 Elektronikbox  
Boîtier des composants électroniques RR10  
Scatola elettronica RR10



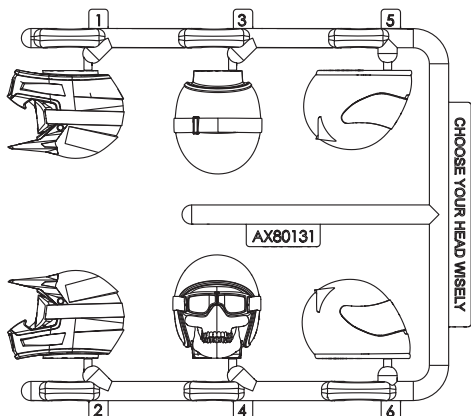
**AX31317 (x2)**  
AR66 Differential Covers  
AR66 Differenzialgehäuse  
Couvercles de différentiel AR66  
Carter differenziale AR66



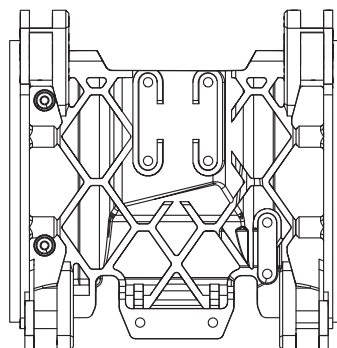
**AX80006 (x1)**  
Servo Set  
Servo-Satz  
Ensemble de servo  
Set servo



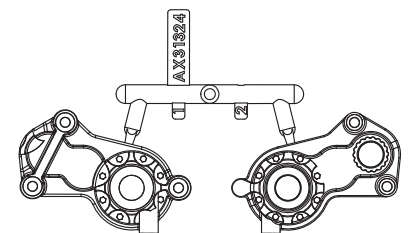
**AX80071 (x1)**  
Straight Axle Adapter Rear  
Gerader Achsadapter hinten  
Adaptateur d'essieu droit arrière  
Adattatore assale dritto posteriore



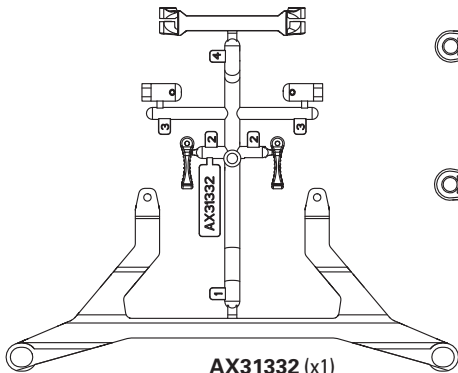
**AX31049 (x2)**  
Helmet Set (Black)  
Helm-Set (schwarz)  
Ensemble de casque (noir)  
Set elmetti (nero)



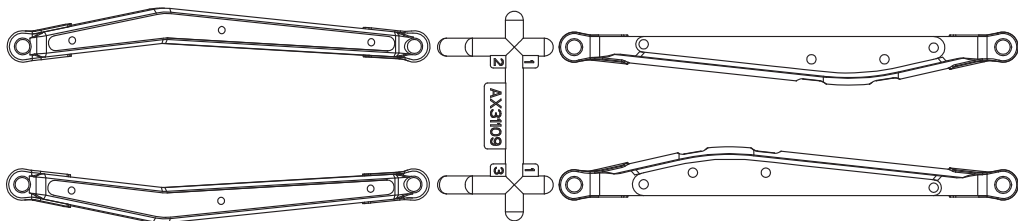
**AX31333 (x1)**  
RR10 Skid Plate  
RR10 Gleitbrett  
Plaque de protection RR10  
Piastra di protezione RR10



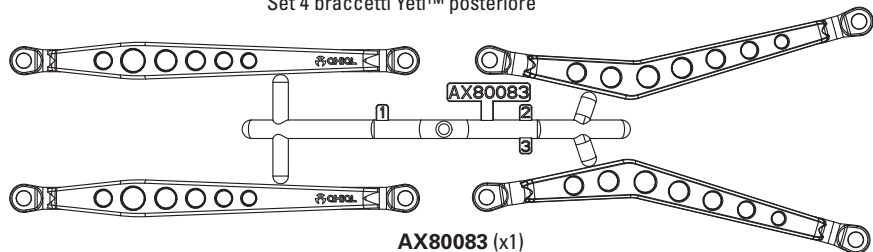
**AX31324 (x1)**  
RR10 Transfer Case  
RR10 Transfergehäuse  
Boîte de transfert RR10  
Custodia di trasferimento RR10



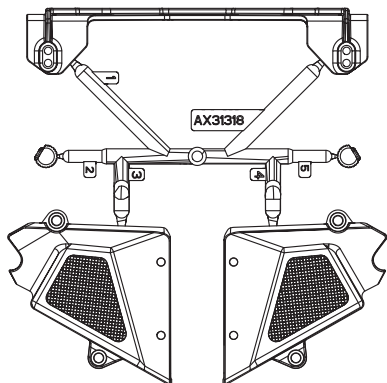
**AX31332 (x1)**  
 RR10 Battery Tray Chassis Components 2  
 RR10 Akkufach Karosseriebauteile 2  
 Composants du châssis du support de batterie RR10 2  
 2 componenti telaio supporto batteria RR10



**AX31109 (x1)**  
 Yeti™ Rear 4 Link Set  
 Yeti™ 4-gliedriger Gelenksatz hinten  
 Ensemble de 4 bras arrière Yeti™  
 Set 4 braccetti Yeti™ posteriore



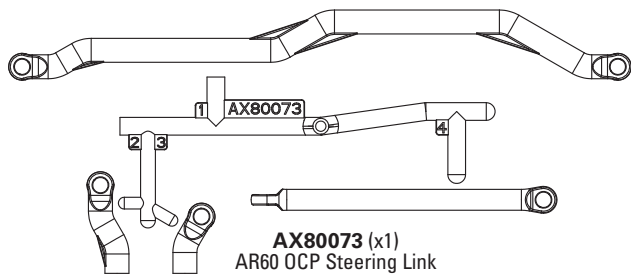
**AX80083 (x1)**  
 Wraith Links Set  
 Wraith-Gestängesatz  
 Ensemble de bras Wraith  
 Set leveraggi Wraith



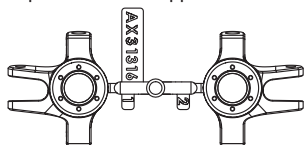
**AX31318 (x1)**  
 RR10 Battery Tray Chassis Components  
 RR10 Akkufach Karosseriebauteile  
 Composants du châssis du support de batterie RR10  
 Componenti telaio supporto batteria RR10



**AX80002 (x2)**  
 Diff Case - Small  
 Differentialgehäuse - Klein  
 Boîtier de différentiel - Petit  
 Scatola diff. - Piccola



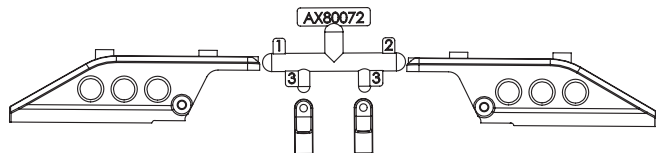
**AX80073 (x1)**  
 AR60 OCP Steering Link  
 AR60 OCP-Lenkstange  
 Tringlerie de direction AR60 OCP  
 Braccetto sterzo AR60 OCP



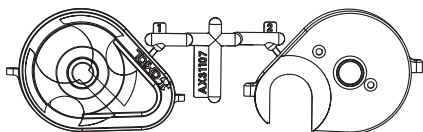
**AX31316 (x1)**  
 AR60 Steering knuckles  
 AR60 Lenkrollen  
 Rotules de direction AR60  
 Fusi a snodo AR60



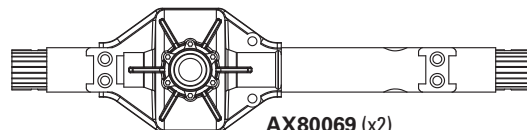
**AX31354 (x1)**  
 AR60 Heavy Duty C-Hub Carrier  
 AR60 robuster C-Nabenträger  
 Support de moyeu en C haute résistance AR60  
 Supporto caster block Heavy Duty AR60



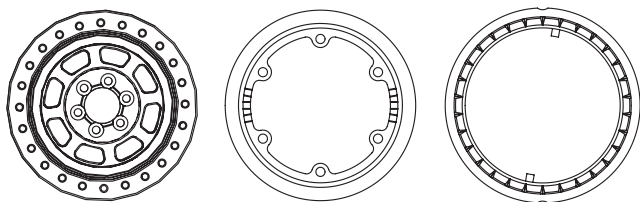
**AX80072 (x1)**  
 Offset Axle 4 Link Mount  
 Achse mit viergliedrigem Gestänge und Versatz  
 Support d'essieu déporté à 4 bras  
 Supporto braccetti 4-link offset assale



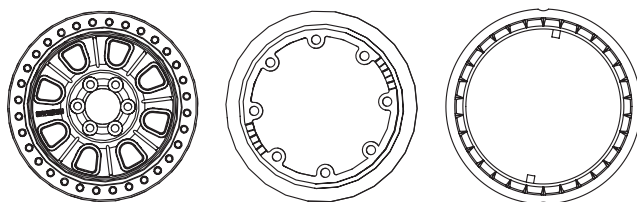
**AX31107 (x1)**  
 2-Speed Hi/Lo Transmission Spur Gear Cover  
 2-Geschwindigkeiten Hi/Lo Getriebe Stirnradabdeckung  
 Cache de l'engrenage cylindrique de la transmission élevé/faible 2 vitesses  
 Carter ingranaggi trasmissione 2 velocità alta/bassa (HI/LO)



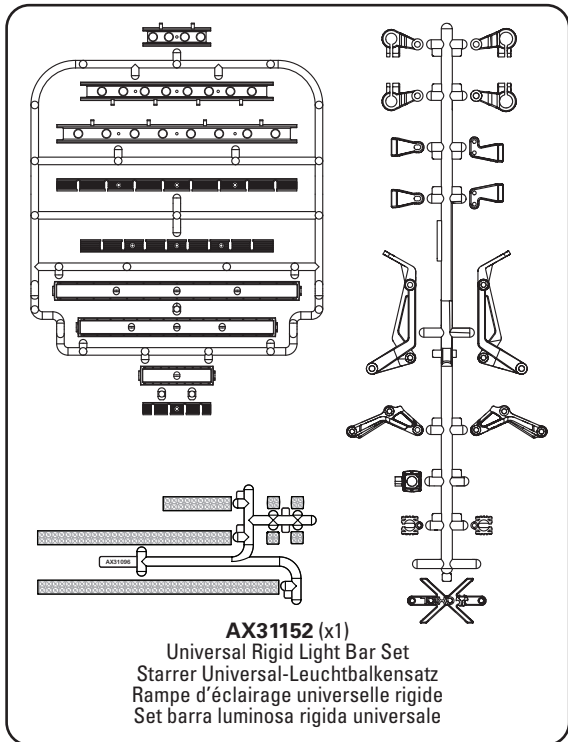
**AX80069 (x2)**  
 Offset Axle Housing  
 Achsgehäuse mit Versatz  
 Carter d'essieu déporté  
 Carcassa assale offset



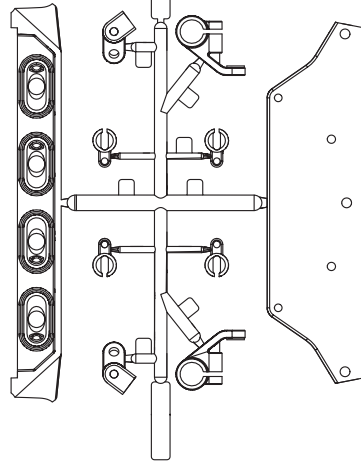
**AXI43006 (x4)**  
 2.2 Trail Ready HD Beadlock Wheel (Satin)  
 2.2 Trail Ready HD Beadlock-Rad (Satin)  
 Roue à verrou de talon 2,2 Trail Ready HD (satinée)  
 Cerchione Beadlock Trail Ready HD 2.2 (Satinato)



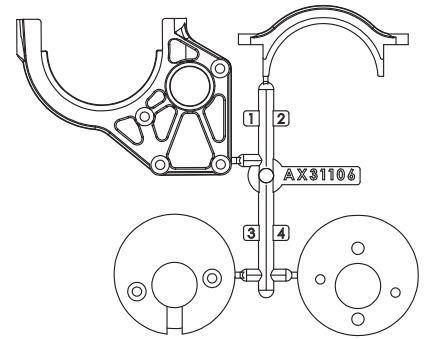
**AXI43007 (x4)**  
 2.2 Raceline Monster Beadlock Wheel (Satin)  
 2.2 Raceline Monster Beadlock-Rad (Satin)  
 Roue à verrou de talon 2,2 Raceline Monster (satinée)  
 Cerchione Beadlock Raceline Monster 2.2 (Satinato)



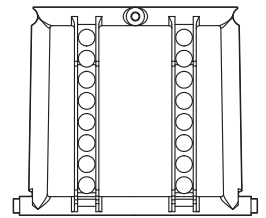
**AX31152 (x1)**  
 Universal Rigid Light Bar Set  
 Starrer Universal-Leuchtbalkensatz  
 Rampe d'éclairage universelle rigide  
 Set barra luminosa rigida universale



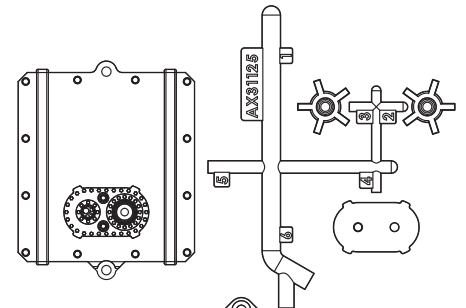
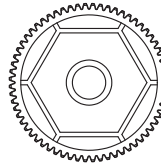
**AXI230014 (x1)**  
 RR10 Rear Light Bar Mount  
 RR10 Hintere Leuchtbalkenhalterung  
 Support de rampe d'éclairage arrière RR10  
 Supporto barra luminosa posteriore RR10



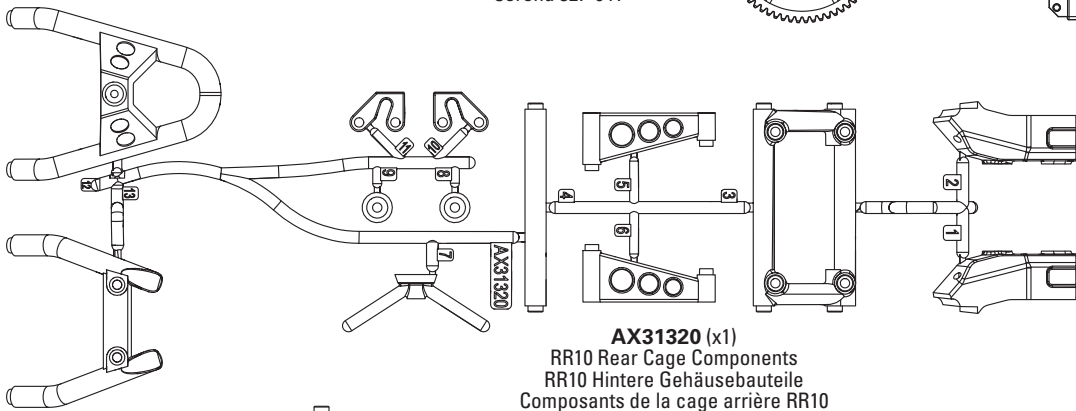
**AX31106 (x1)**  
 2-Speed Hi/Lo Transmission Motor Mount  
 2-Geschwindigkeiten Hi/Lo Getriebe Motorhalterung  
 Support moteur de la transmission élevé/faible 2 vitesses  
 Supporto motore trasmissione 2 velocità alta/bassa (HI/LO)



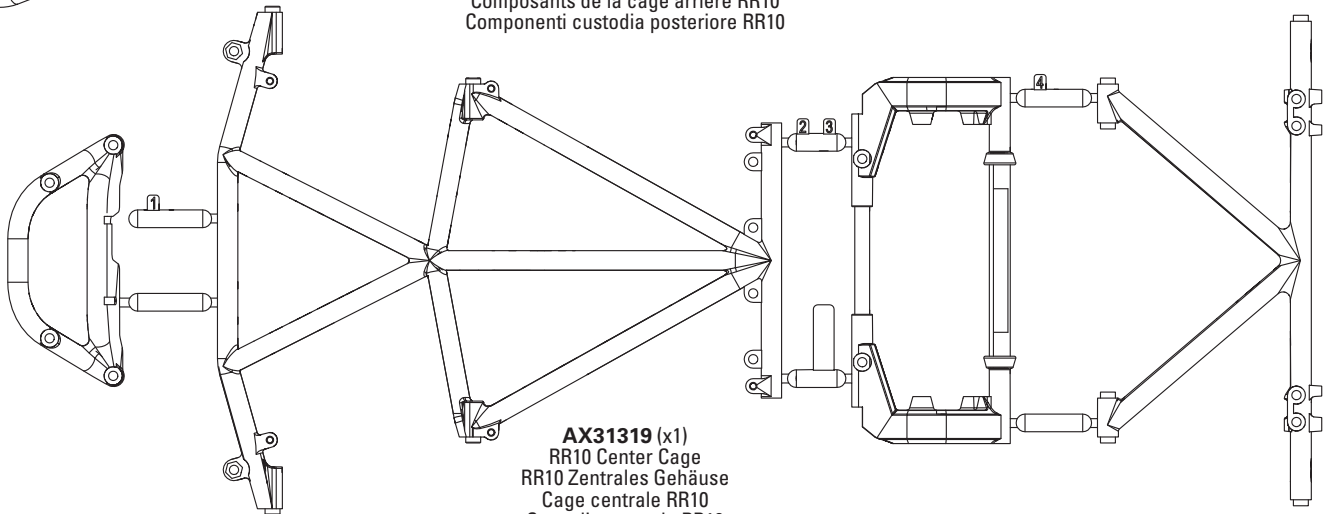
**AX31065 (x1)**  
 Spur Gear 32P 64T  
 Stirnrad 32P 64T  
 Engrenage cylindrique 32P 64T  
 Corona 32P 64T



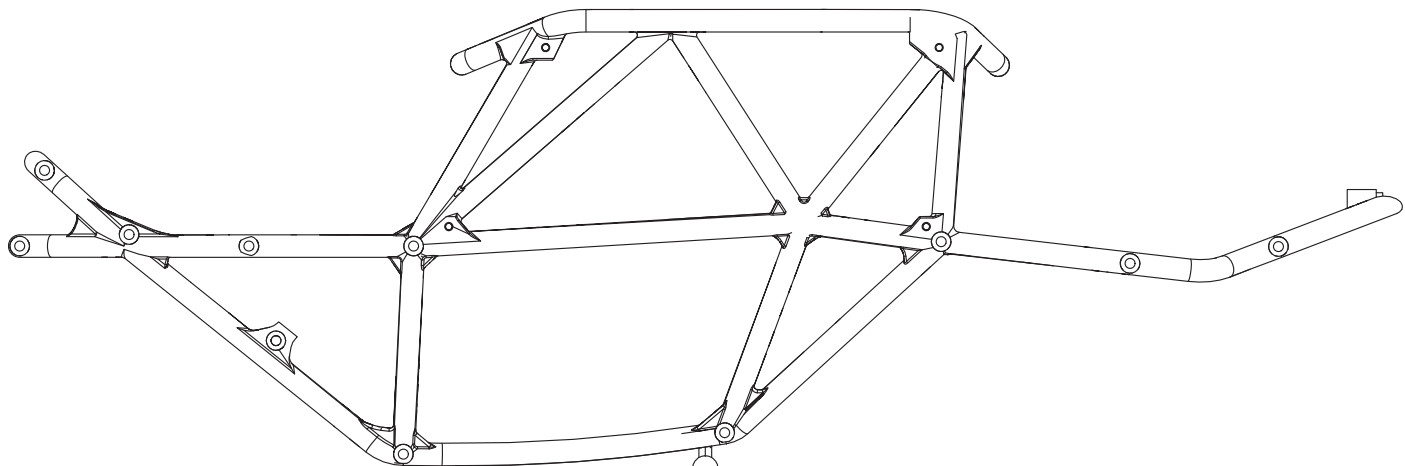
**AX31125 (x1)**  
 Yeti™ Fuel Cell  
 Yeti™ Treibstofftank  
 Réservoir de carburant Yeti™  
 Cella carburante Yeti™



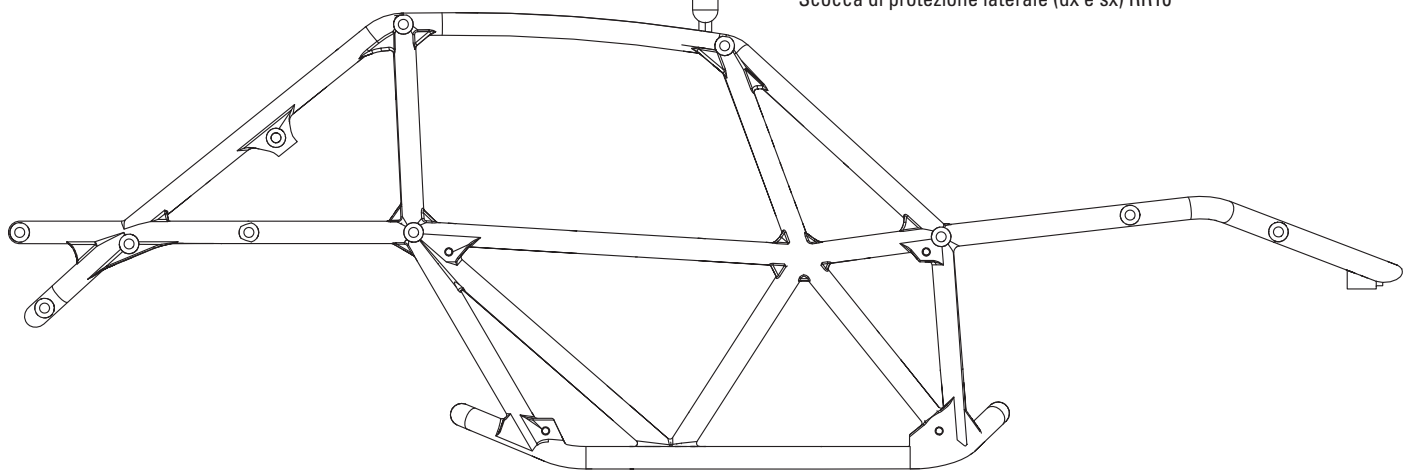
**AX31320 (x1)**  
 RR10 Rear Cage Components  
 RR10 Hintere Gehäusebauteile  
 Composants de la cage arrière RR10  
 Componenti custodia posteriore RR10



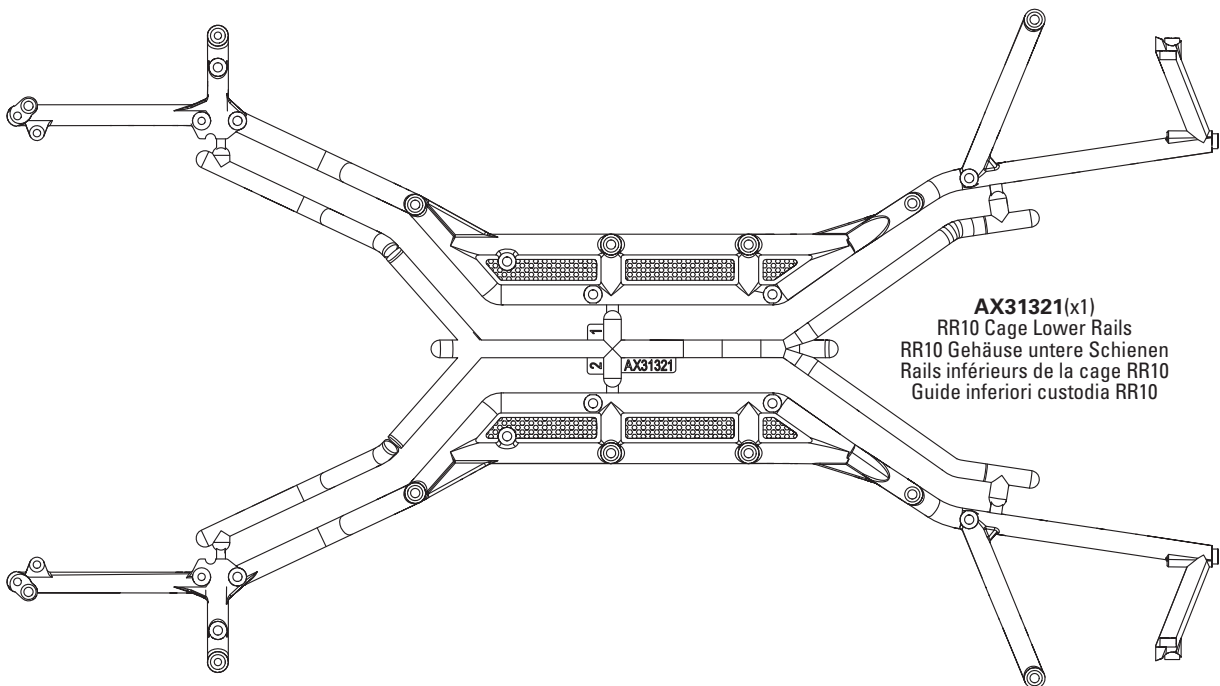
**AX31319 (x1)**  
 RR10 Center Cage  
 RR10 Zentrales Gehäuse  
 Cage centrale RR10  
 Custodia centrale RR10

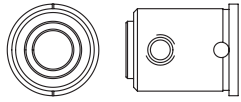
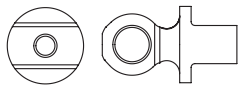


**AX31322(x1)**  
 RR10 Cage Sides (Left and Right)  
 RR10 Gehäuseseiten (Links und Rechts)  
 Côtés de la cage RR10 (gauche et droite)  
 Scocca di protezione laterale (dx e sx) RR10

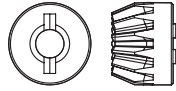
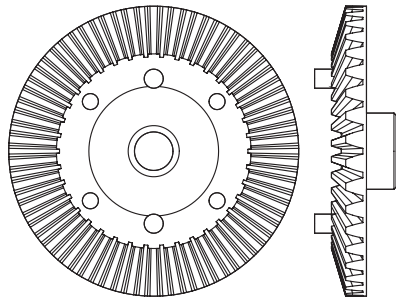


**AX31321(x1)**  
 RR10 Cage Lower Rails  
 RR10 Gehäuse untere Schienen  
 Rails inférieurs de la cage RR10  
 Guide inferiori custodia RR10





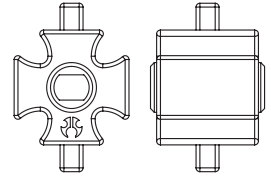
**AX31148 (x4)**  
WB8-HD Driveshaft coupler set  
WB8-HD-Antriebswellenkupplungssatz  
Ensemble de couplage d'arbre de transmission WB8-HD  
Set accoppiamento albero trasmissione WB8-HD



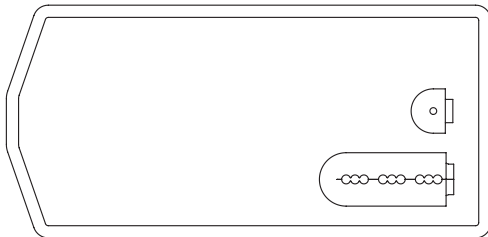
**AX30392 (x2)**  
Bevel Gear Set - 38T/13T  
Kegelradgetriebesatz - 38T/13T  
Ensemble d'engrenages coniques - 38T/13T  
Set ingranaggi conici - 38T/13T



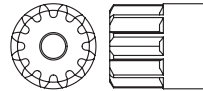
**AX31314 (x4)**  
Aluminum Shock Body 12x47.5mm  
Aluminium Stoßdämpfergehäuse 12 x 47,5 mm  
Aluminium Carrosserie d'amortisseurs en aluminium 12 x 47,5 mm  
Corpo ammortizzatore in alluminio 12x47,5 mm



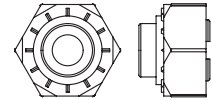
**AX30500 (x2)**  
Heavy Duty Locker  
Robuste Sicherung  
Blocage haute résistance  
Blocco differenziale Heavy Duty



**AX31083 (x1)**  
Radio box seals  
Funkbox-Dichtungen  
Joints du boîtier de radio  
Guarnizioni vano radiocomando



**AX30723 (x1)**  
Pinion 32DP 12T  
Zahnradgetriebe, 32DP, 12T  
Engrenage à pignons, 32DP 12T  
Pignone 32DP, 12T,



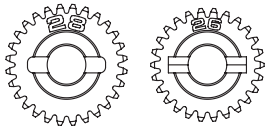
**AX30429 (x4)**  
Narrow 12mm aluminum hub  
Schmale Aluminium-Nabe, 12 mm  
Moyeu étroit en aluminium de 12 mm  
Mozzo stretto in alluminio, 12 mm



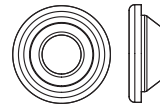
**AXI231007 (x1)**  
Metal Servo Horn (23T)  
Metallgetriebehorn (23T)  
Renvoi du servo métallique (23T)  
Servo squadretta in metallo (23 T)



**AX30408 (x2)**  
Steel Input Shaft 5x29mm  
Stahl-Eingangswelle 5 x 29 mm  
Arbre d'entrée en acier 5 x 29 mm  
Albero di entrata in acciaio 5x29 mm



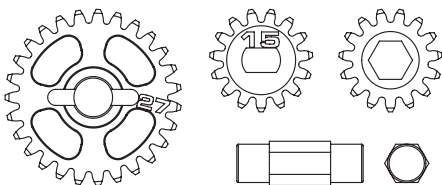
**AX31130 (x1)**  
High Speed Transmission Gear Set (48P 26T, 48P 28T)  
Hochgeschwindigkeits-Getriebesatz (48P 26T, 48P 28T)  
Ensemble d'engrenages de transmission grande vitesse (48P 26T, 48P 28T)  
Set ingranaggi trasmissione alta velocità (48P 26T, 48P 28T)



**AX30112 (x4)**  
Shock Diaphragm 13x4.5mm  
Stoßdämpfermembran 13 x 4,5 mm  
Membrane d'amortisseur 13 x 4,5 mm  
Diaframma ammortizzatore 13x4,5 mm



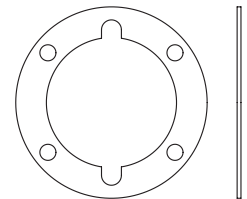
**AX30413 (x1)**  
Slipper spring, 8,5 x 12  
Gleitfeder, 8,5 x 12  
Ressort de sabot, 8,5 x 12  
Molla pattino, 8,5x12



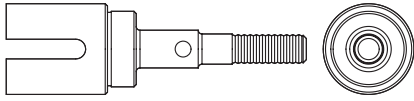
**AX31131 (x1)**  
T-Case Gear Set  
T-Case-Getriebesatz  
Ensemble d'engrenages de boîte de transfert  
Set ingranaggi scatola a T



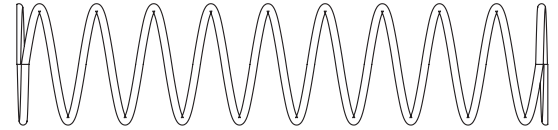
**AX30113 (x4)**  
Rubber Bump Stop 3.6x7x4mm  
Gummianschlag 3,6 x 7 x 4 mm  
Butée en caoutchouc 3,6 x 7 x 4 mm  
Fine corsa in gomma 3,6x7x4 mm



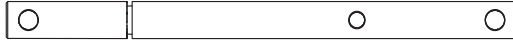
**AX30385 (x2)**  
Diff Gasket 16x25x0.5mm  
Differentialdichtung 16 x 25 x 0,5 mm  
Joint de différentiel 16 x 25 x 0,5 mm  
Guarnizione differenziale 16x25x0,5 mm



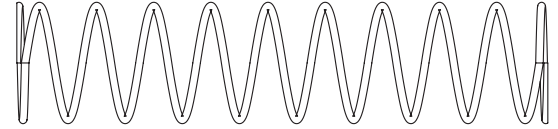
**AX30368** (x2)  
Axle, 6 x 39mm  
Achse, 6 x 39 mm  
Essieu, 6 x 39 mm  
Assale ,6 x 39 mm



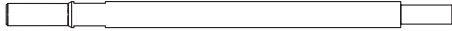
**AX30224** (x2) / **AX31315 (Blue)** (x2)  
Spring 14x70mm 1.43 lbs/in  
Feder 14 x 70 mm 1,43 lbs/in  
Ressort 14 x 70 mm 1,43 lb/po  
Molla 14x70 mm 1,43 lbs/in



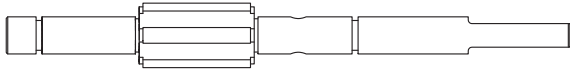
**AX31313** (x1)  
Transfer Case Output Shaft (5x69mm)  
Transfergehäuse Antriebswelle (5 x 69 mm)  
Arbre de sortie de la boîte de transfert (5 x 69 mm)  
Albero uscita scatola di trasferimento (5x69 mm)



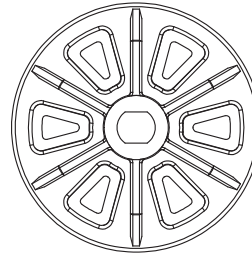
**AX30221** (x2) / **AX31336 (Blue)** (x2)  
Spring 14x70mm 3.27 lbs/in  
Feder 14 x 70 mm 3,27 lbs/in  
Ressort 14 x 70 mm 3,27 lb/po  
Molla 14x70 mm 3,27 lbs/in



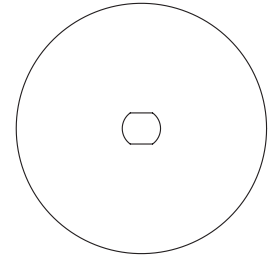
**AX30155** (x4)  
Shock Shaft 3x59.5mm  
Kolbenstange, 3 x 59.5 mm  
Bras d'amortisseur, 3 x 59.5 mm  
Albero ammortizzatore, 3x59.5 mm



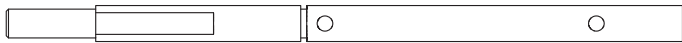
**AX31129** (x1)  
2-Speed Hi/Lo Transmission Bottom Shaft (5x75mm)  
2-Geschwindigkeiten Hi/Lo untere Getriebewelle (5 x 75 mm)  
Arbre inférieur de la transmission élevé/faible 2 vitesses (5 x 75 mm)  
Albero inferiore trasmissione 2 velocità alta/bassa (HI/LO) (5x75 mm)



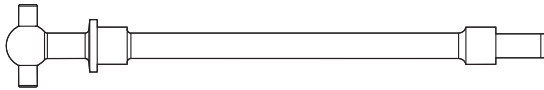
**AX31067** (x1)  
Slipper Plate  
Gleitplatte  
Plaque de sabot  
Piastra pattino



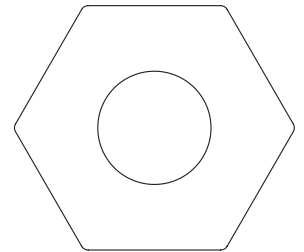
**AX31026** (x2)  
Slipper plate washer, 33 x 5 x 1.5mm  
Gleitplattenunterlegscheibe, 33 x 5 x 1,5 mm  
Rondelle de plaque de sabot, 33 x 5 x 1,5 mm  
Rondella piastra pattino, 33x5x1,5 mm



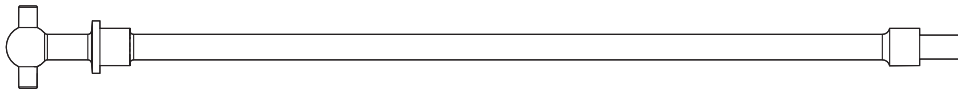
**AX31127** (x1)  
2-Speed Hi/Lo Transmission Top Shaft (5x91mm)  
2-Geschwindigkeiten Hi/Lo obere Getriebewelle (5 x 91 mm)  
Arbre supérieur de la transmission élevé/faible 2 vitesses (5 x 91 mm)  
Albero superiore trasmissione 2 velocità alta/bassa (HI/LO) (5x91 mm)



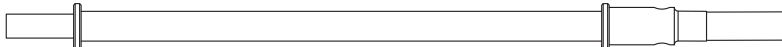
**AX30419** (x1)  
AR60 OCP Front Dogbone 7x69mm  
AR60 OCP Vorderes Dogbone 7 x 69 mm  
Dogbone avant AR60 OCP 7 x 69 mm  
Cardano anteriore AR60 OCP 7x69 mm



**AX31068** (x2)  
Slipper pad, 32.8 x 15.2 x 1mm  
Gleitkissen 32,8 x 15,2 x 1 mm  
Sabot de piston, 32,8 x 15,2 x 1 mm  
Piastra guida, 32,8x15,2x1 mm



**AX30419** (x1)  
AR60 OCP Front Dogbone 7x125mm  
AR60 OCP Vorderes Dogbone 7 x 125 mm  
Dogbone avant AR60 OCP 7 x 125 mm  
Cardano anteriore AR60 OCP 7x125 mm



**AX30776** (x1)  
AR60 OCP Rear Axle 6x104.2mm  
AR60 OCP Hinterachse 6 x 104,2 mm  
Essieu arrière AR60 OCP 6 x 104,2 mm  
Assale posteriore AR60 OCP 6x104,2 mm



**AX30776** (x1)  
AR60 OCP Rear Axle 6x160.2mm  
AR60 OCP Hinterachse 6 x 160,2 mm  
Essieu arrière AR60 OCP 6 x 160,2 mm  
Assale posteriore AR60 OCP 6x160,2 mm

**AX30163** (x5)  
Pin 2x10mm  
Stift 2 x 10 mm  
Goupille 2 x 10 mm  
Perno 2 x 10 mm

**AX31028** (x8)  
Pin 2x11mm  
Stift 2 x 11 mm  
Goupille 2 x 11 mm  
Perno 2 x 11 mm

**AXA1393** (x2)  
E2.5 e-clip  
E2.5 E-Clip  
E-clip E2.5  
E-clip E2.5

**AXA1391** (x2)  
E4 e-clip  
E4 E-Clip  
E-clip E4  
E-clip E4

**AXA1045** (x1)  
M4 Nylon Lock Nut  
M4 Nylon-Feststellmutter  
Contre-écrou en nylon M4  
Controdado nylon M4

**AX31250** (x4)  
M4 Serrated Nylon Lock Nut  
Feststellflanschmutter (schwarz)  
Contre-écrou en nylon strié (noir) M4  
Controdado dentato nylon (nero) M4

**AXA1041** (x4)  
M2.5 Nylon Lock Nut  
M2.5 Nylon-Feststellmutter  
Contre-écrou en nylon M2.5  
Controdado nylon M2.5

**AXA1052** (x6)  
M3 Thin Nylon Locking Hex Nut  
M3 dünne Nylon-Feststellmutter  
Contre-écrou à six pans fin en nylon M3  
Controdado esagonale nylon sottile M3

**AXA1053** (x3)  
M3 Nylon Lock Nut  
M3 Nylon-Feststellmutter  
Contre-écrou en nylon M3  
Controdado nylon M3

**AXA1070** (x1)  
Washer 3 x 6 x 0,5mm  
Unterlegscheibe 3 x 6 x 0,5mm  
Rondelle 3 x 6 x 0,5mm  
Rondella 3x 6 x 0,5mm

**AXA1069** (x8)  
Washer 2.7x6.7x0.5mm  
Unterlegscheibe 2.7x 6.7 x 0,5mm  
Rondelle 2.7x6.7x0,5mm  
Rondella 2.7x 6.7 x 0,5mm

**AXA1071** (x2)  
Washer 4x8x0.5mm  
Unterlegscheibe 4x 8 x 0,5mm  
Rondelle 4x8x0,5mm  
Rondella 4x 8 x 0,5mm

**AXA1202** (x8)  
O-Ring 3.5 x 2mm  
O-Ring 3,5 x 2mm  
Joint torique 3,5 x 2mm  
O-Ring 3.5 x 2mm

**AXA1184** (x4)  
O-Ring 7.5 x 1.5mm  
O-Ring 7,5 x 1.5mm  
Joint torique 7,5 x 1.5mm  
O-Ring 7.5 x 1.5mm

**AXA1221** (x20)  
Bearing 5x11x4mm  
Lager 5 x 11 x 4 mm  
Roulement 5 x 11 x 4 mm  
Cuscinetto 5x11x4 mm

**AXA1230** (x6)  
Bearing 10x15x4mm  
Lager 10 x 15 x 4 mm  
Roulement 10 x 15 x 4 mm  
Cuscinetto 10x15x4 mm

**AXA180** (x12)  
M3x3mm Set Screw  
M3 x 3 mm Schraubensatz  
Vis de fixation M3 x 3 mm  
Vite di arresto M3x3 mm

**AXA291** (x1)  
M4x4mm Set Screw  
M4 x 4 mm Schraubensatz  
Vis de fixation M4 x 4 mm  
Vite di arresto M4x4 mm

**AXA186** (x8)  
M3x16mm Set Screw  
M3 x 16 mm Schraubensatz  
Vis de fixation M3 x 16 mm  
Vite di arresto M3x16 mm

**AXA178** (x4)  
M3x20mm Set Screw  
M3 x 20 mm Schraubensatz  
Vis de fixation M3 x 20 mm  
Vite di arresto M3x20 mm

**AXA0286** (x4)  
Screw Shaft M4x2.5x12mm  
Gewindenschaft M4 x 2,5 x 12 mm  
Tige de vis M4 x 2,5 x 12 mm  
Albero filettato M4 x 2,5 x 12 mm

**AXA013** (x5)  
M2x6mm Hex Socket Cap Head  
M2 x 6 mm Sechskant-Inbusschraube  
Douille à six pans d'assemblage creuse M2 x 6 mm  
Vite testa cilindrica con esagono incassato M2x6 mm

**AXA015** (x16)  
M2x10mm Hex Socket Cap Head  
M2 x 10 mm Sechskant-Inbusschraube  
Douille à six pans d'assemblage creuse M2 x 10 mm  
Vite testa cilindrica con esagono incassato M2x10 mm

**AXA0023** (x28)  
M2.6x8mm Cap Head  
M2.6 x 8 mm Sechskant-Inbusschraube  
Douille à six pans d'assemblage creuse M2.6 x 8 mm  
Vite testa cilindrica con esagono incassato M2.6x8 mm

**AXA087** (x8)  
M3x16mm Hex Socket Cap Head  
M3 x 16 mm Sechskant-Inbusschraube  
Douille à six pans d'assemblage creuse M3 x 16 mm  
Vite testa cilindrica con esagono incassato M3x16 mm

**AXA091** (x2)  
M3x30mm Hex Socket Cap Head  
M3 x 30 mm Sechskant-Inbusschraube  
Douille à six pans d'assemblage creuse M3 x 30 mm  
Vite testa cilindrica con esagono incassato M3x30 mm

**AXA041** (x2)  
M4x12mm Hex Socket Cap Head  
M4 x 12 mm Sechskant-Inbusschraube  
Douille à six pans d'assemblage creuse M4 x 12 mm  
Vite testa cilindrica con esagono incassato M4x12 mm





**AX31280** (x16)  
M2.6x6mm Hex Socket Button Head  
M2.6x6mm Sechskant-Rundkopf  
Douille à six pans à tête bombée M2.6x6mm  
Vite testa tonda con esagono incassato M2.6x6mm



**AXA0113** (x11)  
M3x6mm Hex Socket Button Head  
M3 x 6 mm Sechskant-Rundkopf  
Douille à six pans à tête bombée M3 x 6 mm  
Vite testa tonda con esagono incassato M3x6 mm



**AXA114** (x6)  
M3x8mm Hex Socket Button Head  
M3 x 8 mm Sechskant-Rundkopf  
Douille à six pans à tête bombée M3 x 8 mm  
Vite testa tonda con esagono incassato M3x8 mm



**AXA115** (x22)  
M3x10mm Hex Socket Button Head  
M3 x 10 mm Sechskant-Rundkopf  
Douille à six pans à tête bombée M3 x 10 mm  
Vite testa tonda con esagono incassato M3x10 mm



**AXA116** (x49)  
M3x12mm Hex Socket Button Head  
M3 x 12 mm Sechskant-Rundkopf  
Douille à six pans à tête bombée M3 x 12 mm  
Vite testa tonda con esagono incassato M3x12 mm



**AXA117** (x17)  
M3x15mm Hex Socket Button Head  
M3 x 15 mm Sechskant-Rundkopf  
Douille à six pans à tête bombée M3 x 15 mm  
Vite testa tonda con esagono incassato M3x15 mm



**AXA118** (x46)  
M3x18mm Hex Socket Button Head  
M3 x 18 mm Sechskant-Rundkopf  
Douille à six pans à tête bombée M3 x 18 mm  
Vite testa tonda con esagono incassato M3x18 mm



**AXA119** (x1)  
M3x20mm Hex Socket Button Head  
M3 x 20 mm Sechskant-Rundkopf  
Douille à six pans à tête bombée M3 x 20 mm  
Vite testa tonda con esagono incassato M3x20 mm



**AXA121** (x4)  
M3x30mm Hex Socket Button Head  
M3 x 30 mm Sechskant-Rundkopf  
Douille à six pans à tête bombée M3 x 30 mm  
Vite testa tonda con esagono incassato M3x30 mm



**AXA144** (x10)  
M3x8mm Hex Socket Flat Head  
M3 x 8 mm Sechskant-Flachkopf  
Douille à six pans à tête plate M3 x 8 mm  
Vite testa piana con esagono incassato M3x8 mm



**AXA144** (x2)  
M3x10mm Hex Socket Flat Head  
M3 x 10 mm Sechskant-Flachkopf  
Douille à six pans à tête plate M3 x 10 mm  
Vite testa piana con esagono incassato M3x10 mm



**AXA146** (x17)  
M3x12mm Hex Socket Flat Head  
M3 x 12 mm Sechskant-Flachkopf  
Douille à six pans à tête plate M3 x 12 mm  
Vite testa piana con esagono incassato M3x12 mm



**AXA147** (x1)  
M3x16mm Hex Socket Flat Head  
M3 x 16 mm Sechskant-Flachkopf  
Douille à six pans à tête plate M3 x 16 mm  
Vite testa piana con esagono incassato M3x16 mm



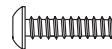
**AXA148** (x8)  
M3x18mm Hex Socket Flat Head  
M3 x 18 mm Sechskant-Flachkopf  
Douille à six pans à tête plate M3 x 18 mm  
Vite testa piana con esagono incassato M3x18 mm



**AXA150** (x3)  
M3x25mm Hex Socket Flat Head  
M3 x 25 mm Sechskant-Flachkopf  
Douille à six pans à tête plate M3 x 25 mm  
Vite testa piana con esagono incassato M3x25 mm



**AXA0413** (x2)  
M2.6x8mm Hex Socket Tapping Flat Head  
M2.6 x 8 mm Sechskant-Flachkopf-Blechschaube  
Douille à six pans à tête plate autotaraudeuse M2.6 x 8 mm  
Vite autofilettante testa piana con esagono incassato M2.6x8 mm



**AXA436** (x1)  
M3x12mm Button Head Tapping  
M3 x 12 mm Rundkopf-Blechschaube  
Vis autotaraudeuse à tête bombée M3 x 12 mm  
Vite autofilettante testa tonda M3x12 mm



**AXA0439** (x2)  
M3x20mm Button Head Tapping  
M3 x 20 mm Rundkopf-Blechschaube  
Vis autotaraudeuse à tête bombée M3 x 20 mm  
Vite autofilettante testa tonda M3x20 mm



**AXA441** (x4)  
M3x30mm Hex Socket Tapping Button Head  
M3 x 30 mm Rundkopf-Blechschaube  
Vis autotaraudeuse à tête bombée M3 x 30 mm  
Vite autofilettante testa tonda M3x30 mm



**AXA0109** (x4)  
M3x10mm Oversized Flat Hex Socket  
M3 x 10 mm übergroßer Sechskant-Flachkopf  
Douille à six pans à tête plate surdimensionnée M3 x 10 mm  
Vite testa piana con esagono incassato sovramisura M3x10 mm



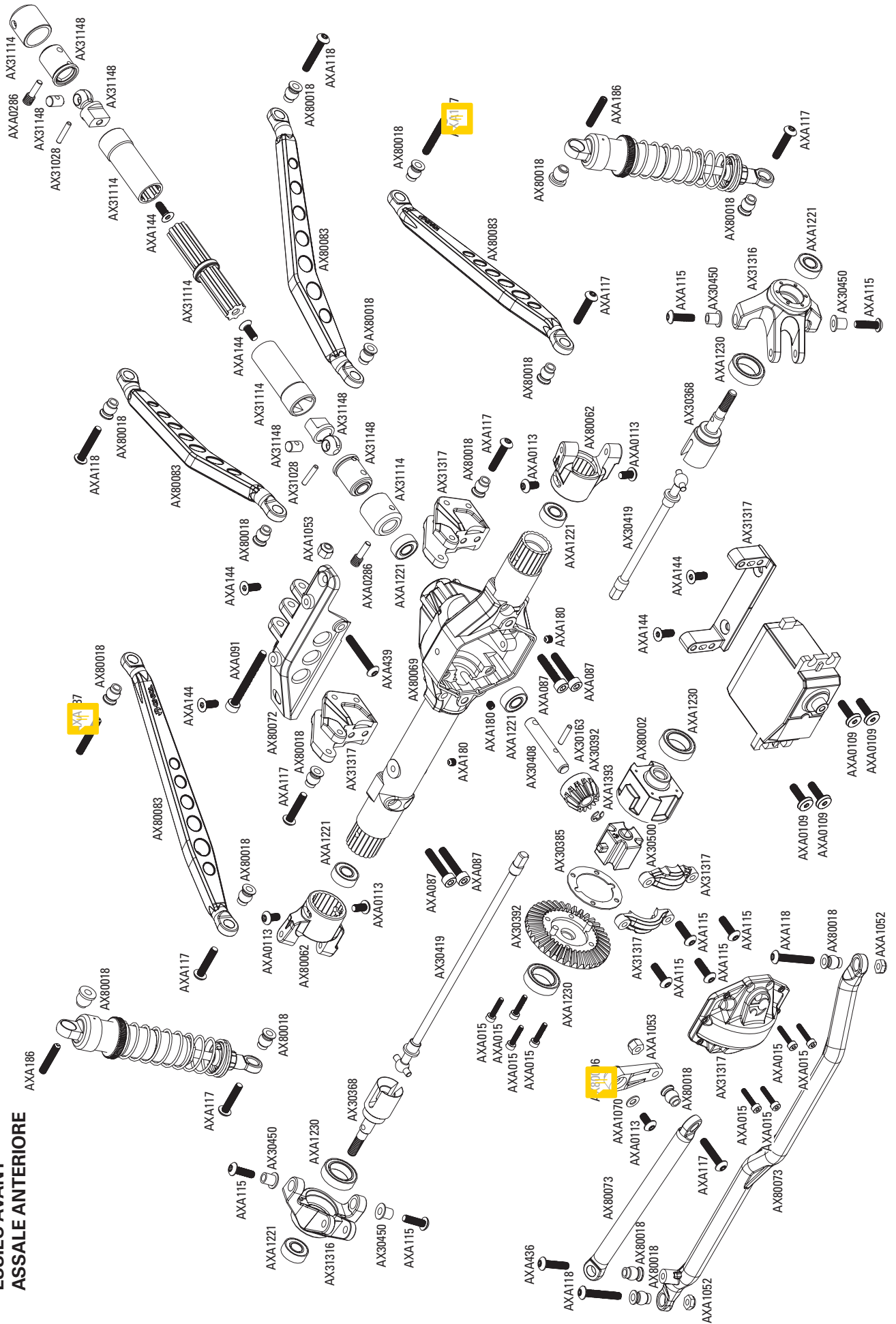
**AX30450** (x4)  
Flange Pipe 3x4.5x5.5  
Flanschrohr 3 x 4,5 x 5,5  
Tubulure bridée 3 x 4,5 x 5,5  
Tubo flangiato 3x4,5x5,5



**AXA1059** (x2)  
6mm Body Clip  
6 mm Gehäuseklemme  
Clip de carrosserie 6 mm  
Clip 6 mm

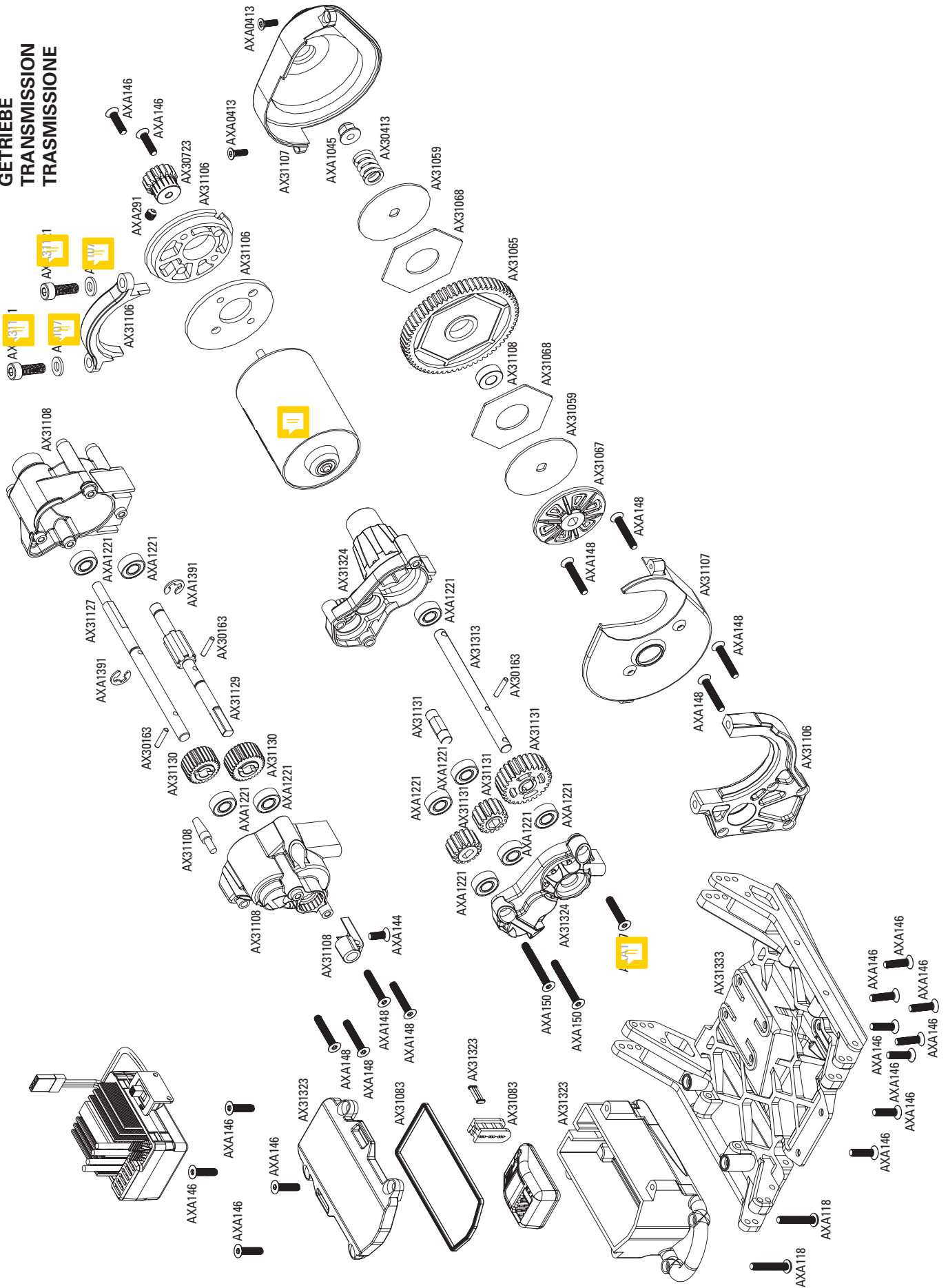


**FRONT AXLE  
VORDERACHSE  
ESSIEU AVANT  
ASSALE ANTERIORE**





**TRANSMISSION  
GETRIEBE  
TRANSMISSION  
TRASMISSIONE**





**PARTS LISTS // TEILELISTEN // LISTE DES PIÈCES // ELENCO COMPONENTI**

Part #	Description	Beschreibung	Description	Descrizione
AX30113	Rubber Bump Stop 3.6x7x4 (6pcs)	Gummianschlag 3,6 x 7 x 4 mm	Butée en caoutchouc 3,6 x 7 x 4 mm	Fine corsa in gomma 3,6x7x4 mm
AX30155	Shock Shaft 3x59.5 (2pcs)	Kolbenstange, 3 x 59.5 mm	Bras d'amortisseur, 3 x 59.5 mm	Albero ammortizzatore, 3x59.5 mm
AX30163	Pin 2.0x10mm (6pcs.)	Stift 2 x 10 mm	Goupille 2 x 10 mm	Perno 2 x 10 mm
AX30368	Axle 6x39mm (2pcs)	Achse, 6 x 39 mm	Essieu, 6 x 39 mm	Assale ,6 x 39 mm
AX30385	Diff Gasket 16x25x0.5mm (2pcs)	Differentialdichtung 16 x 25 x 0,5 mm	Joint de différentiel 16 x 25 x 0,5 mm	Guarnizione differenziale 16x25x0,5 mm
AX30392	Bevel Gear Set - 38T/13T	Kegelradgetriebesatz – 38T/13T	Ensemble d'engrenages coniques - 38T/13T	Set ingranaggi conici - 38T/13T
AX30408	Steel Input Shaft 5x29mm (2pcs)	Stahl-Eingangswelle 5 x 29 mm	Arbre d'entrée en acier 5 x 29 mm	Albero di entrata in acciaio 5x29 mm
AX30413	Slipper spring 8.5x12 165 lbs/in - Black (2pcs)	Gleitfeder, 8,5 x 12	Ressort de sabot, 8,5 x 12	Molla pattino, 8,5x12
AX30419	AR60 OCP Front Dogbone	AR60 OCP Vorderes Dogbone	Dogbone avant AR60 OCP	Cardano anteriore AR60 OCP
AX30429	12mm Aluminum Hub (Black) (4pcs)	Schmale Aluminium-Nabe, 12 mm	Moyeu étroit en aluminium de 12 mm	Mozzo stretto in alluminio, 12 mm
AX30450	Flange Pipe 3x4.5x5.5 (4pcs)	Flanschrohr 3 x 4,5 x 5,5	Tubulure bridée 3 x 4,5 x 5,5	Tubo flangiato 3x4,5x5,5
AX30500	Heavy Duty Locker (2pcs)	Robuste Sicherung	Blocage haute résistance	Blocco differenziale Heavy Duty
AX30723	Pinion Gear 32P 12T - Steel (3mm Motor Shaft)	Zahnradgetriebe, 32DP, 12T	Engrenage à pignons,, 32DP 12T	Pignone 32DP, 12T,
AX30776	AR60 OCP Rear Axle Set (2pcs)	AR60 OCP Hinterachse	Essieu arrière AR60 OCP	Assale posteriore AR60 OCP
AX31028	Pin 2x11mm (6pcs)	Stift 2 x 11 mm	Goupille 2 x 11 mm	Perno 2 x 11 mm
AX31049	Helmet Set (Black)	Helm-Set (schwarz)	Ensemble de casque (noir)	Set elmetti (nero)
AX31059	Slipper Plate Washer 33x1mm (2pcs)			
AX31065	Spur Gear 32P 64T	Stirnrad 32P 64T	Engrenage cylindrique 32P 64T	Corona 32P 64T
AX31067	Slipper Plate (2pcs)	Gleitplatte	Plaque de sabot	Piastra pattino
AX31068	Slipper Pad 32.8x15.2x1mm (2pcs)	Gleitkissen 32,8 x 15,2 x 1 mm	Sabot de piston, 32,8 x 15,2 x 1 mm	Piastra guida, 32,8x15,2x1 mm
AX31083	Radio Box Seals	Funkbox-Dichtungen	Joints du boîtier de radio	Guarnizioni vano radiocomando
AX31106	2-Speed Hi/Lo Transmission Motor Mount	2-Geschwindigkeiten Hi/Lo Getriebe Motorhalterung	Support moteur de la transmission élevé/faible 2 vitesses	Supporto motore trasmissione 2 velocità alta/bassa (HI/LO)
AX31107	2-Speed Hi/Lo Transmission Spur Gear Cover	2-Geschwindigkeiten Hi/Lo Getriebe Stirnradabdeckung	Cache de l'engrenage cylindrique de la transmission élevé/faible 2 vitesses	Carter ingranaggi trasmissione 2 velocità alta/bassa (HI/LO)
AX31108	2-Speed Hi/Lo Transmission Case	2-Geschwindigkeiten Hi/Lo Getriebeabdeckung	Boîtier de la transmission élevé/faible 2 vitesses	Scatola trasmissione 2 velocità alta/bassa (HI/LO)
AX31109	Yeti™ Rear 4 Link Set	Yeti™ 4-gliedriger Gelenksatz hinten	Ensemble de 4 bras arrière Yeti™	Set 4 braccetti Yeti™ posteriore
AX31114	WB8-HD Standard driveshaft	WB8-HD Standard-Antriebswelle	Arbre de transmission standard WB8-HD	Albero di trasmissione standard WB8-HD
AX31121	M4x12mm Cap Head (Black) (10pcs)	M4 x 12 mm Sechskant-Inbusschraube	Douille à six pans d'assemblage creuse M4 x12 mm	Vite testa cilindrica con esagono incassato M4x12 mm
AX31125	Yeti™ Fuel Cell	Yeti™ Treibstofftank	Réservoir de carburant Yeti™	Cella carburante Yeti™
AX31127	2-Speed Hi/Lo Transmission Top Shaft (5x91mm)	2-Geschwindigkeiten Hi/Lo obere Getriebewelle (5 x 91 mm)	Arbre supérieur de la transmission élevé/faible 2 vitesses (5 x 91 mm)	Albero superiore trasmissione 2 velocità alta/bassa (HI/LO) (5x91 mm)
AX31129	2-Speed Hi/Lo Transmission Bottom Shaft (5x75mm)	2-Geschwindigkeiten Hi/Lo untere Getriebewelle (5 x 75 mm)	Arbre inférieur de la transmission élevé/faible 2 vitesses (5 x 75 mm)	Albero inferiore trasmissione 2 velocità alta/bassa (HI/LO) (5x75 mm)
AX31130	High Speed Transmission Gear Set (48P 26T, 48P 28T)	Hochgeschwindigkeits-Getriebesatz (48P 26T, 48P 28T)	Ensemble d'engrenages de transmission grande vitesse (48P 26T, 48P 28T)	Set ingranaggi trasmissione alta velocità (48P 26T, 48P 28T)
AX31148	WB8-HD Driveshaft Coupler Set	WB8-HD-Antriebswellenkupplungssatz	Ensemble de couplage d'arbre de transmission WB8-HD	Set accoppiamento albero trasmissione WB8-HD
AX31185	M3x10mm Hex Socket Flat Head (Black) (10pcs)	M3 x 10 mm Sechskant-Flachkopf	Douille à six pans à tête plate M3 x 10 mm	Vite testa piana con esagono incassato M3x10 mm
AX31250	M4 Serrated Nylon Lock Nut (Black) (10pcs)	Feststellflanschmutter (schwarz)	Contre-écrou en nylon strié (noir) M4	Controdado dentato nylon (nero) M4
AX31300	10mm Shock Parts Tree 2 (Blue)	10 mm Stoßdämpfer-Teilebaum	Arbre des pièces d'amortisseurs 10 mm	Set ricambi ammortizzatore 10 mm
AX31301	10mm Shock Caps Parts Tree (Blue)	10 mm Stoßdämpfer-Teilebaum	Arbre des pièces d'amortisseurs 10 mm	Set ricambi ammortizzatore 10 mm
AX31312	35T Electric Motor	35T Elektromotor	Moteur électrique 35T	Motore elettrico 35T
AX31313	Transfer Case Output Shaft (5x69mm)	Transfergehäuse Antriebswelle (5 x 69 mm)	Arbre de sortie de la boîte de transfert (5 x 69 mm)	Albero uscita scatola di trasferimento (5x69 mm)
AX31314	Aluminum Shock Body 12x47.5mm	Aluminium Stoßdämpfergehäuse 12 x 47,5 mm	Carrosserie d'amortisseurs en aluminium 12 x 47,5 mm	Corpo ammortizzatore in alluminio 12x47,5 mm
AX31315	Spring 14x70mm 1.43 lbs/in - Purple (2pcs) (Blue Springs)	Feder 14 x 70 mm 1,43 lbs/in	Ressort 14 x 70 mm 1,43 lb/po	Molla 14x70 mm 1,43 lbs/in
AX31316	AR60 Double Shear Steering Knuckle Set	AR60 Lenkrollen	Rotules de direction AR60	Fusi a snodo AR60

Part #	Description	Beschreibung	Description	Descrizione
AX31317	AR66 Differential Covers	AR66 Differenzialgehäuse	Couvercles de différentiel AR66	Carter differenziale AR66
AX31318	RR10 Battery Tray Chassis Components	RR10 Akkufach Karosseriebauteile	Composants du châssis du support de batterie RR10	Componenti telaio supporto batteria RR10
AX31319	RR10 Center Cage	RR10 Zentrales Gehäuse	Cage centrale RR10	Custodia centrale RR10
AX31320	RR10 Rear Cage Components	RR10 Hintere Gehäusebauteile	Composants de la cage arrière RR10	Componenti custodia posteriore RR10
AX31321	RR10 Cage Lower Rails	RR10 Gehäuse untere Schienen	Rails inférieurs de la cage RR10	Guide inferiori custodia RR10
AX31322	RR10 Cage Sides (Left and Right)	RR10 Gehäuseseiten (Links und Rechts)	Côtés de la cage RR10 (gauche et droite)	Scocca di protezione laterale (dx e sx) RR10
AX31323	RR10 Electronics Box	RR10 Elektronikbox	Boîtier des composants électroniques RR10	Scatola elettronica RR10
AX31324	RR10 Transfer Case	RR10 Transfergehäuse	Boîte de transfert RR10	Custodia di trasferimento RR10
AX31327	RR10 Bomber Body - .040" (Clear)	Carrosserie du Bomber 0,040 clair RR10	Bomber-Karosserie 0,040 Transparent RR10	Scocca Bomber .040 trasparente RR10
AX31328	Interior Set .040 Clear RR10	Ensemble d'intérieur 0,040 clair RR10	Innenausstattungsatz 0,040 Transparent RR10	Set interno .040 trasparente RR10
AX31332	RR10 Battery Tray Chassis Components 2	RR10 Akkufach Karosseriebauteile 2	Composants du châssis du support de batterie RR10 2	2 componenti telaio supporto batteria RR10
AX31333	RR10 Skid Plate	RR10 Gleitbrett	Plaque de protection RR10	Piastra di protezione RR10
AX31336	Spring 14x70mm 3.27 lbs/in - Yellow (2pcs) (Blue Springs)	Feder 14 x 70 mm 3,27 lbs/in	Ressort 14 x 70 mm 3,27 lb/po	Molla 14x70 mm 3,27 lbs/in
AX80002	Diff Case -Small	Differentialgehäuse – Klein	Boîtier de différentiel - Petit	Scatola diff. - Piccola
AX80006	Servo Set	Servo-Satz	Ensemble de servo	Set servo
AX80018	Hardware Parts Tree	Hardware-Teilebaum	Arbre des pièces de quincaillerie	Set bulloneria
AX80033	10mm Shock Parts Tree	10 mm Stoßdämpfer-Teilebaum	Arbre des pièces d'amortisseurs 10 mm	Set ricambi ammortizzatore 10 mm
AX80069	Offset Axle Housing	Achsgehäuse mit Versatz	Carter d'essieu déporté	Carcassa assale offset
AX80071	Straight Axle Adapter Rear	Gerader Achsadapter hinten	Adaptateur d'essieu droit arrière	Adattatore assale dritto posteriore
AX80072	AR60 OCP 4-Link Mount	Achse mit viergliedrigem Gestänge und Versatz	Support d'essieu déporté à 4 bras	Supporto braccetti 4-link offset assale
AX80073	AR60 OCP Steering Link	AR60 OCP-Lenkstange	Tringlerie de direction AR60 OCP	Braccetto sterzo AR60 OCP
AX80083	Wraith Links Set	Wraith-Gestängesatz	Ensemble de bras Wraith	Set leveraggi Wraith
AXA0023	M2.6x8mm Cap Head (Black) (10pcs)	M2.6 x 8 mm Sechskant-Inbusschraube	Douille à six pans d'assemblage creuse M2.6 x 8 mm	Vite testa cilindrica con esagono incassato M2.6x8 mm
AXA0109	M3x10mm Oversized Flat Hex Socket (Black) (10pcs)	M3 x 10 mm übergroßer Sechskant-Flachkopf	Douille à six pans à tête plate surdimensionnée M3 x 10 mm	Vite testa piana con esagono incassato sovrakisura M3x10 mm
AXA0113	M3x6mm Hex Socket Button Head (Black) (10pcs)	M3 x 6 mm Sechskant-Rundkopf	Douille à six pans à tête bombée M3 x 6 mm	Vite testa tonda con esagono incassato M3x6 mm
AXA0147	M3x16mm Hex Socket Flat Head (Black) (10pcs)	M3 x 16 mm Sechskant-Flachkopf	Douille à six pans à tête plate M3 x 16 mm	Vite testa piana con esagono incassato M3x16 mm
AXA015	M2x10mm Cap Head (Black) (10pcs)	M2 x 10 mm Sechskant-Inbusschraube	Douille à six pans d'assemblage creuse M2 x 10 mm	Vite testa cilindrica con esagono incassato M2x10 mm
AXA0187	M3x20mm Set Screw (Black) (10pcs)	M3 x 20 mm Schraubensatz	Vis de fixation M3 x 20 mm	Vite di arresto M3x20 mm
AXA0286	Screw Shaft M4x2.5x12mm (6pcs)	Gewindenschaft M4 x 2,5 x 12 mm	Tige de vis M4 x 2,5 x 12 mm	Albero filettato M4 x 2,5 x 12 mm
AXA0413	M2.6x8mm Hex Socket Tapping Flat Head (Black) (10pcs)	M2.6 x 8 mm Sechskant-Flachkopf-Blechschaube	Douille à six pans à tête plate autotaraudeuse M2.6 x 8 mm	Vite autofilettante testa piana con esagono incassato M2.6x8 mm
AXA0439	M3x20mm Hex Socket Tapping Button Head (Black) (10pcs)	M3 x 20 mm Rundkopf-Blechschaube	Vis autotaraudeuse à tête bombée M3 x 20 mm	Vite autofilettante testa tonda M3x20 mm
AXA087	M3x16mm Hex Socket Cap Head (Black) (10pcs)	M3 x 16 mm Sechskant-Inbusschraube	Douille à six pans d'assemblage creuse M3 x 16 mm	Vite testa cilindrica con esagono incassato M3x16 mm
AXA091	M3x30mm Hex Socket Cap Head - (Black) (10pcs)	M3 x 30 mm Sechskant-Inbusschraube	Douille à six pans d'assemblage creuse M3 x 30 mm	Vite testa cilindrica con esagono incassato M3x30 mm
AXA1041	M2.5 Nylon Locking Hex Nut - Silver (10pcs)	M2.5 Nylon-Feststellmutter	Contre-écrou en nylon M2.5	Controdado nylon M2.5
AXA1045	M4 Nylon Lock Nut (Black) (10pcs)	M4 Nylon-Feststellmutter	Contre-écrou en nylon M4	Controdado nylon M4
AXA1052	M3 Thin Nylon Locking Hex Nut (Black)	M3 dünne Nylon-Feststellmutter	Contre-écrou à six pans fin en nylon M3	Controdado esagonale nylon sottile M3
AXA1053	M3 Nylon Locking Hex Nut (Black) (10pcs)	M3 Nylon-Feststellmutter	Contre-écrou en nylon M3	Controdado nylon M3
AXA1059	6mm Body clip (Black) (10pcs)	6 mm Gehäuseklemme	Clip de carrosserie 6 mm	Clip 6 mm
AXA1069	Washer 2.7x6.7x0.5 (10pcs)	Unterlegscheibe 2.7x 6.7 x 0,5mm	Rondelle 2.7x6.7x0,5mm	Rondella 2.7x 6.7 x 0,5mm
AXA1070	Washer 3x6x0.5 (10pcs)	Unterlegscheibe 3 x 6 x 0,5mm	Rondelle 3 x 6 x 0,5mm	Rondella 3x 6 x 0,5mm
AXA1071	Washer 4x8x0.5mm (10pcs)	Unterlegscheibe 4x 8 x 0,5mm	Rondelle 4x8x0,5mm	Rondella 4x 8 x 0,5mm
AXA114	M3x8mm Hex Socket Button Head (Black) (10pcs)	M3 x 8 mm Sechskant-Rundkopf	Douille à six pans à tête bombée M3 x 8 mm	Vite testa tonda con esagono incassato M3x8 mm



Part #	Description	Beschreibung	Description	Descrizione
AXA115	M3x10mm Hex Socket Button Head (Black) (10pcs)	M3 x 10 mm Sechskant-Rundkopf	Douille à six pans à tête bombée M3 x 10 mm	Vite testa tonda con esagono incassato M3x10 mm
AXA116	M3x12mm Hex Socket Button Head - Black (10pcs)	M3 x 12 mm Sechskant-Rundkopf	Douille à six pans à tête bombée M3 x 12 mm	Vite testa tonda con esagono incassato M3x12 mm
AXA117	M3x15mm Hex Socket Button Head (Black) (10pcs)	M3 x 15 mm Sechskant-Rundkopf	Douille à six pans à tête bombée M3 x 15 mm	Vite testa tonda con esagono incassato M3x15 mm
AXA118	M3x18mm Hex Socket Button Head - Black (10pcs)	M3 x 18 mm Sechskant-Rundkopf	Douille à six pans à tête bombée M3 x 18 mm	Vite testa tonda con esagono incassato M3x18 mm
AXA1184	O-Ring 7.5x1.5mm (S8) - (10pcs)	O-Ring 7,5 x 1.5mm	Joint torique 7,5 x 1.5mm	O-Ring 7.5 x 1.5mm
AXA119	M3x20mm Hex Socket Button Head (Black) (10pcs)	M3 x 20 mm Sechskant-Rundkopf	Douille à six pans à tête bombée M3 x 20 mm	Vite testa tonda con esagono incassato M3x20 mm
AXA1202	O-Ring 3.5x2mm (10pcs)	O-Ring 3,5 x 2mm	Joint torique 3,5 x 2mm	O-Ring 3.5 x 2mm
AXA121	M3x30mm Hex Socket Button Head (Black) (10pcs)	M3 x 30 mm Sechskant-Rundkopf	Douille à six pans à tête bombée M3 x 30 mm	Vite testa tonda con esagono incassato M3x30 mm
AXA1221	Bearing 5x11x4mm (2pcs)	Lager 5 x 11 x 4 mm	Roulement 5 x 11 x 4 mm	Cuscinetto 5x11x4 mm
AXA1230	Bearing 10x15x4mm	Lager 10 x 15 x 4 mm	Roulement 10 x 15 x 4 mm	Cuscinetto 10x15x4 mm
AXA1391	E4 e-clip (10pcs)	E4 E-Clip	E-clip E4	E-clip E4
AXA1393	E2.5 e-clip (10pcs)	E2.5 E-Clip	E-clip E2.5	E-clip E2.5
AXA144	M3x8mm Hex Socket Flat Head (Black) (10pcs)	M3 x 8 mm Sechskant-Flachkopf	Douille à six pans à tête plate M3 x 8 mm	Vite testa piana con esagono incassato M3x8 mm
AXA146	M3x12mm Hex Socket Flat Head - Black (10pcs)	M3 x 12 mm Sechskant-Flachkopf	Douille à six pans à tête plate M3 x 12 mm	Vite testa piana con esagono incassato M3x12 mm
AXA148	M3x18mm Hex Socket Flat Head (Black) (10pcs)	M3 x 18 mm Sechskant-Flachkopf	Douille à six pans à tête plate M3 x 18 mm	Vite testa piana con esagono incassato M3x18 mm
AXA150	M3x25mm Hex Socket Flat Head (Black) (10pcs)	M3 x 25 mm Sechskant-Flachkopf	Douille à six pans à tête plate M3 x 25 mm	Vite testa piana con esagono incassato M3x25 mm
AXA180	M3x3mm Set Screw (Black) (10pcs)	M3 x 3 mm Schraubensatz	Vis de fixation M3 x 3 mm	Vite di arresto M3x3 mm
AXA186	M3x16mm Set Screw (Black) (10pcs)	M3 x 16 mm Schraubensatz	Vis de fixation M3 x 16 mm	Vite di arresto M3x16 mm
AXA291	M4x4mm Set Screw (Black) (6pcs.)	M4 x 4 mm Schraubensatz	Vis de fixation M4 x 4 mm	Vite di arresto M4x4 mm
AXA436	M3x12mm Hex Socket Tapping Button Head (Black) (10pcs)	M3 x 12 mm Rundkopf-Blechschaube	Vis autotaraudeuse à tête bombée M3 x 12 mm	Vite autofilettante testa tonda M3x12 mm
AXA441	M3x30mm Hex Socket Tapping Button Head (Black) (10pcs)	M3 x 30 mm Rundkopf-Blechschaube	Vis autotaraudeuse à tête bombée M3 x 30 mm	Vite autofilettante testa tonda M3x30 mm
AXI43006	2.2 Trail Ready HD Beadlock Wheel (Satin)	2.2 Trail Ready HD Beadlock-Rad (Satin)	Roue à verrou de talon 2,2 Trail Ready HD (satinée)	Cerchione Beadlock Trail Ready HD 2.2 (Satinato)
AXI43007	2.2 Raceline Monster Beadlock Wheel (Satin)	2.2 Raceline Monster Beadlock-Rad (Satin)	Roue à verrou de talon 2,2 Raceline Monster (satinée)	Cerchione Beadlock Raceline Monster 2.2 (Satinato)





©2020 Horizon Hobby, LLC. Axial, the Axial logo, RR10, DX3, DSM, IC3, EC3, the Smart Technology logo, and the Horizon Hobby logo are trademarks or registered trademarks of Horizon Hobby, LLC. The Spektrum trademark is used with permission of Bachmann Industries, Inc. Bomber Fabrication and associated logos and designs are property of Randy Slawson, used under license. BFGoodrich® Tires and Baja T/A® KR3 Trademarks are used under License from Michelin. Savvy, King, Odyssey, Raceline, Baja Designs, Falken, PSC, Sleinjager, Fox, and associated logos are property of their respective owners and are used under license. All other trademarks, service marks and logos are property of their respective owners.



## EXPLORE

[facebook.com/axialinc](https://facebook.com/axialinc) | [instagram.com/axialracing](https://instagram.com/axialracing) | [twitter.com/axialrc](https://twitter.com/axialrc)  
[youtube.com/axialvideos](https://youtube.com/axialvideos) | [flickr.com/axialrc](https://flickr.com/axialrc)