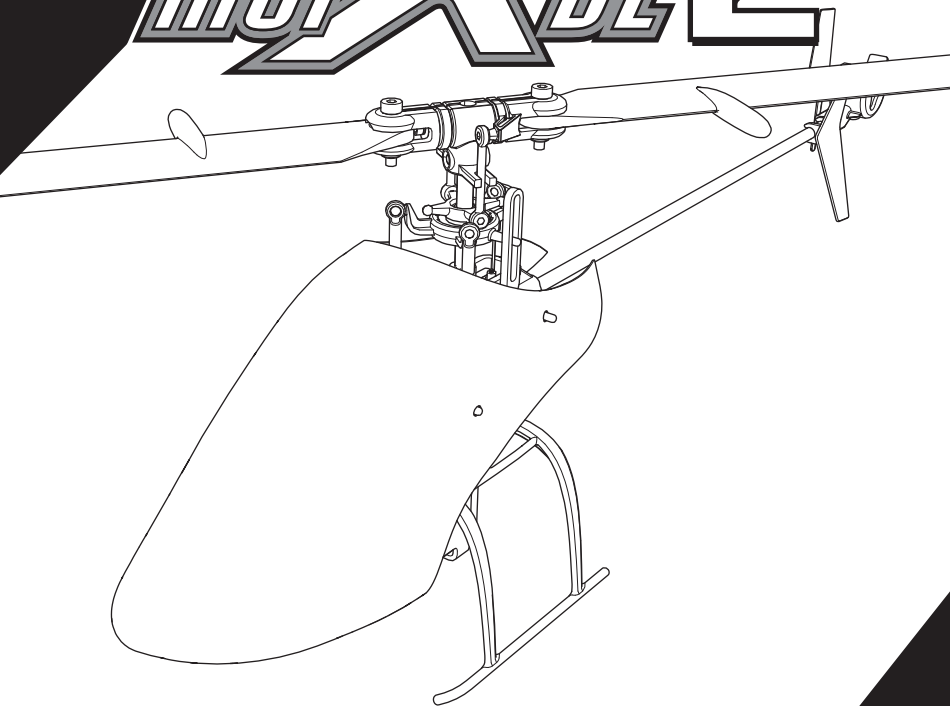


**X** BLADE®

# mCPX BL2



**Instruction Manual  
Bedienungsanleitung  
Manuel d'utilisation  
Manuale di istruzioni**

**SAFE** 

**BNF**

**HORIZON**  
H O B B Y

**NOTICE**

All instructions, warranties and other collateral documents are subject to change at the sole discretion of Horizon Hobby, LLC. For up-to-date product literature, visit [www.horizonhobby.com](http://www.horizonhobby.com) or [www.towerhobbies.com](http://www.towerhobbies.com) and click on the support or resources tab for this product.


**Meaning of Special Language:**

The following terms are used throughout the product literature to indicate various levels of potential harm when operating this product:

**WARNING:** Procedures, which if not properly followed, create the probability of property damage, collateral damage, and serious injury OR create a high probability of superficial injury.

**CAUTION:** Procedures, which if not properly followed, create the probability of physical property damage AND a possibility of serious injury.

**NOTICE:** Procedures, which if not properly followed, create a possibility of physical property damage AND little or no possibility of injury.

 **WARNING:** Read the ENTIRE instruction manual to become familiar with the features of the product before operating. Failure to operate the product correctly can result in damage to the product, personal property and cause serious injury.

This is a sophisticated hobby product. It must be operated with caution and common sense and requires some basic mechanical ability. Failure to operate this Product in a safe and responsible manner could result in injury or damage to the product or other property. This product is not intended for use by children without direct adult supervision. Do not use with incompatible components or alter this product in any way outside of the instructions provided by Horizon Hobby, LLC. This manual contains instructions for safety, operation and maintenance. It is essential to read and follow all the instructions and warnings in the manual, prior to assembly, setup or use, in order to operate correctly and avoid damage or serious injury.

**AGE RECOMMENDATION: Not for children under 14 years. This is not a toy.**

## Safety Precautions and Warnings

As the user of this product, you are solely responsible for operating in a manner that does not endanger yourself and others or result in damage to the product or the property of others.

- Always keep a safe distance in all directions around your model to avoid collisions or injury. This model is controlled by a radio signal subject to interference from many sources outside your control. Interference can cause momentary loss of control.
- Always operate your model in open spaces away from full-size vehicles, traffic and people.
- Always carefully follow the directions and warnings for this and any optional support equipment (chargers, rechargeable battery packs, etc.).
- Always keep all chemicals, small parts and anything electrical out of the reach of children.
- Always avoid water exposure to all equipment not specifically designed and protected for this purpose. Moisture causes damage to electronics.
- Never place any portion of the model in your mouth as it could cause serious injury or even death.
- Never operate your model with low transmitter batteries.
- Always keep aircraft in sight and under control.
- Always use fully charged batteries.
- Always keep transmitter powered on while aircraft is powered.
- Always remove batteries before disassembly.
- Always keep moving parts clean.
- Always keep parts dry.
- Always let parts cool after use before touching.
- Always remove batteries after use.
- Always ensure failsafe is properly set before flying.
- Never operate aircraft with damaged wiring.
- Never touch moving parts.

## Table of Contents

Transmitter Setup Table .....	4	Troubleshooting Guide .....	11
Installing the Flight Battery .....	6	Exploded View .....	13
Transmitter and Receiver Binding .....	6	Replacement Parts .....	14
Control Tests .....	7	Recommended Parts .....	14
Understanding the Primary Flight Controls .....	8	Optional Parts .....	14
Flight Modes .....	9	Limited Warranty .....	14
Panic Recovery .....	9	Warranty and Service Contact Information .....	16
First Flight Preparation .....	10	FCC Information .....	16
Flying Checklist .....	10	IC Information .....	17
Flying the mCP X BL 2 .....	10	Compliance Information for the European Union .....	17
Drift Calibration .....	11		

### Specifications

<b>Length</b>	275mm	<b>Main Rotor Diameter</b>	263mm
<b>Height</b>	100mm	<b>Tail Rotor Diameter</b>	40mm
<b>Flying Weight</b>	62g		

### Components

<b>Airframe</b>	Blade mCP X BL	Included
<b>Motors</b>	Brushless (BLH6003, BLH6004)	Installed
<b>Flybarless Unit</b>	3-in-1 Control Unit with SAFE® technology (BLH6001)	Installed
<b>Battery</b>	280mAh 2S 3.7V 30C Li-Po Battery	Required
<b>Charger</b>	2S Li-Po Charger	Required
<b>Transmitter</b>	DSM2®/DSMX® Compatible Transmitter	Required



## DX6, DX6e

## SYSTEM SETUP

<b>Model Type</b>	HELI
<b>Swash Type</b>	Normal

## F-Mode Setup

<b>Switch 1</b>	Switch B
<b>Throttle Cut</b>	-130%

## Channel Assign

Channel Input	
1 Throttle	Throttle
2 Aileron	Aileron
3 Elevator	Elevator
4 Rudder	Rudder
5 Gear	Switch B
6 AUX 1	INH
7 AUX 2	

## Frame Rate

11/22ms
DSMX

## Panic Mode Operation

*Bind / I Button*

Pressed = Panic Mode On

Released = Panic Mode Off

## FUNCTION LIST

## Servo Setup

Chan	Travel	Reverse
THR	100/100	Normal
AIL	100/100	Normal
ELE	100/100	Normal

## D/R &amp; Expo

Chan	Sw (F) Pos	D/R	Expo
AILE	0	100/100	0
	1	100/100	0
ELEV	0	100/100	0
	1	100/100	0
RUDD	0	100/100	0
	1	100/100	0

## Mixing

GER -> GER		
Rate	100%	100%
Offset	0%	
Switch	Switch I	

Chan	Travel	Reverse
RUD	100/100	Normal
GER	100/100	Normal
PIT	100/100	Normal

## Throttle Curve

Sw (B) Pos	Pt 1	Pt 2	Pt 3	Pt 4	Pt 5
N	0	25	50	75	100
1	0	25	50	75	100
2	100	100	100	100	100
HOLD	0	0	0	0	0

## Pitch Curve

Switch B
Use default values

## Timer

<b>Mode</b>	Count Down
<b>Time</b>	4:00
<b>Start</b>	Throttle Out
<b>Over</b>	25%
<b>One Time</b>	Inhibit

## Telemetry

RX V (receiver pack voltage)	
Minimum	7.2 V
Maximum	8.4 V

## DX7G2, DX8e, DX8G2, DX9, iX12, DX18, DX20

## SYSTEM SETUP

<b>Model Type</b>	HELI
<b>Swash Type</b>	Normal

## F-Mode Setup

<b>Switch 1</b>	Switch B
<b>Switch 2</b>	Inhibit
<b>Throttle Cut</b>	-130%

## Channel Assign

Channel Input	
1 Throttle	INH
2 Aileron	INH
3 Elevator	INH
4 Rudder	INH
5 Gear	Switch B
6 AUX 1	INH
7 AUX 2	

## Frame Rate

11/22ms
DSMX

## Panic Mode Operation

*Bind / I Button*

Pressed = Panic Mode On

Released = Panic Mode Off

## FUNCTION LIST

## Servo Setup

Chan	Travel	Reverse
THR	100/100	Normal
AIL	100/100	Normal
ELE	100/100	Normal
RUD	100/100	Normal
GER	100/100	Normal

## D/R &amp; Expo

Chan	Sw (F) Pos	D/R	Expo
AILE	0	100/100	0
	1	100/100	0
	2	100/100	0
ELEV	0	100/100	0
	1	100/100	0
	2	100/100	0
RUDD	0	100/100	0
	1	100/100	0
	2	100/100	0

## Mixing

GER -> GER		
Rate	100%	100%
Offset	0%	
Switch	Switch I	

Chan	Travel	Reverse
PIT	100/100	Normal
AX2	100/100	Normal
AX3	100/100	Normal
AX4	100/100	Normal

## Throttle Curve

Sw (B) Pos	Pt 1	Pt 2	Pt 3	Pt 4	Pt 5
N	0	25	50	75	100
1	0	25	50	75	100
2	100	100	100	100	100
HOLD	0	0	0	0	0

## Pitch Curve

Switch B
Use default values

## Timer

<b>Mode</b>	Count Down
<b>Time</b>	4:00
<b>Start</b>	Throttle Out
<b>Over</b>	25%
<b>One Time</b>	Inhibit

## Telemetry

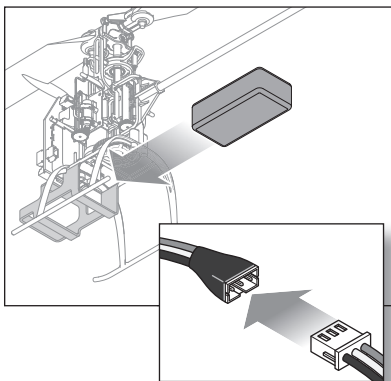
RX V (receiver pack voltage)	
Minimum	7.2 V
Maximum	8.4 V

## Installing the Flight Battery

1. Lower the throttle and throttle trim to the lowest settings.
2. Power on the transmitter.
3. Install the flight battery in the battery holder.
4. Connect the battery cable to the 3-in-1 control unit.

**NOTICE:** Do not allow the helicopter to move until the blue LED on the 3-in-1 control unit is solid.

**NOTICE:** Always disconnect the Li-Po battery from the 3-in-1 control unit of the aircraft when not flying. Failure to do so may result in over discharge.



## Transmitter and Receiver Binding

Binding is the process of programming the receiver of the control unit to recognize the GUID (Globally Unique Identifier) code of a single specific transmitter. You need to 'bind' your chosen Spektrum™ DSM2®/DSMX® technology equipped aircraft transmitter to the receiver for proper operation.

To bind your mCP X BL to your chosen transmitter, follow the directions below:

### Binding Procedure for Computer Radios

1. Disconnect the flight battery from the helicopter.
2. Power off the transmitter and move all switches to the 0 position.
3. Connect the flight battery to the helicopter. The 3-in-1 Control unit LED flashes after 5 seconds.
4. Push the bind switch/button while powering on the transmitter.
5. After 2–3 seconds, release the bind switch/button.
6. Move the rudder control stick to full right. Continue to hold the rudder control stick to full right until the blue LED on the 3-in-1 control unit is solid.
7. Release the rudder control stick.
8. Disconnect the flight battery and power the transmitter off.

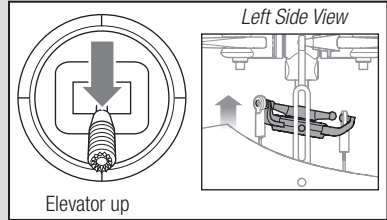
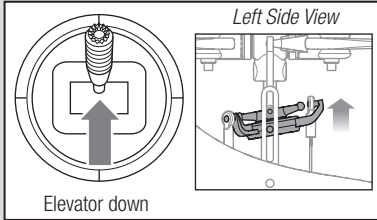
**NOTICE:** The throttle will not arm if the transmitter's throttle control is not put at the lowest position and the stunt mode switch is not in the 0 position.

If you encounter problems, refer to the troubleshooting guide for other instructions. If needed, contact the appropriate Horizon Hobby Product Support office.

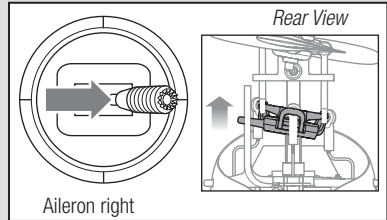
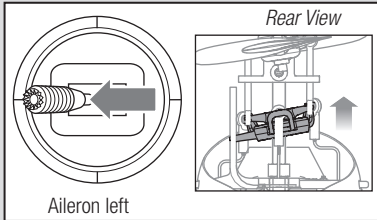
## Control Tests

**Ensure the throttle hold is ON when doing the direction control tests.** Test the controls prior to the first flight to ensure the servos, linkages and parts operate correctly. If the controls do not react as shown in the illustrations below, confirm the transmitter is programmed correctly.

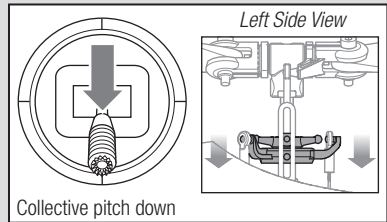
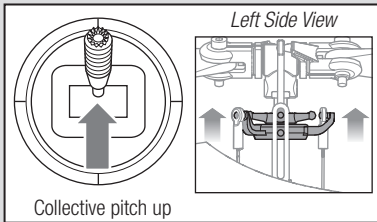
### Elevator



### Aileron



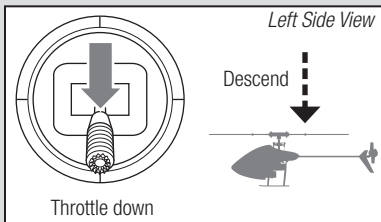
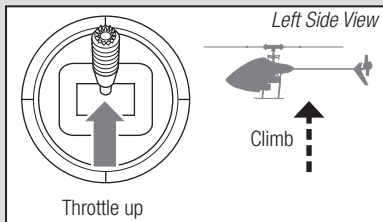
### Collective Pitch



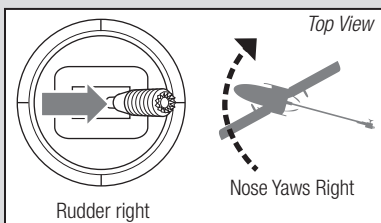
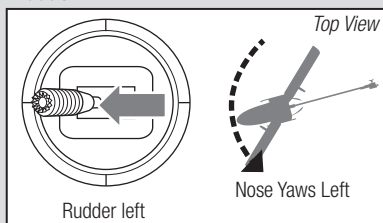
## Understanding the Primary Flight Controls

If you are not familiar with the controls of your mCP X BL, take a few minutes to familiarize yourself with them before attempting your first flight.

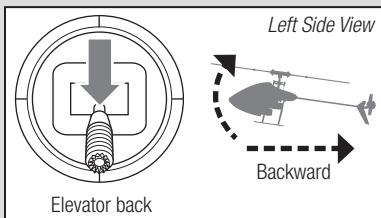
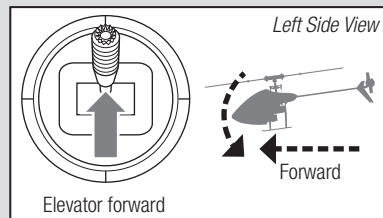
### Throttle



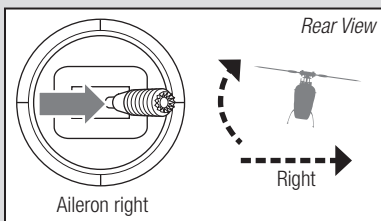
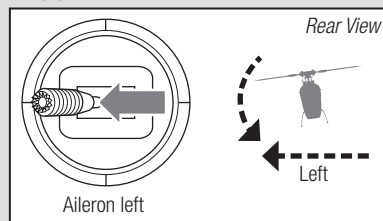
### Rudder



### Elevator



### Aileron





## Flight Modes

With the transmitter programmed as shown in the *Transmitter Setup Table* section, the flight mode switch gives the pilot the choice between the following flight modes:

### **Stability Mode Z** (*switch position 0*) Green LED

Stability Mode is typically preferred by pilots with less experience flying collective pitch helicopters.

The helicopter will limit the bank angle, even with full control input, and return the aircraft to a level flight attitude when the controls are released.

The yaw rate is slowed for ease of control.

The Panic Recovery button returns the helicopter to upright, level attitude.

The throttle mode is normal.

Low throttle stick position = 0% throttle.

The helicopter uses the stability sensor to help control ascent and descent rates.

### **Stability Mode** (*switch position 1*) Blue LED

Stability Mode shares the same characteristics as Stability Z mode but without the stability sensor to help control the ascent and descent rates.

## Panic Recovery

If you get into distress while flying in any mode, push and hold the bind/panic switch and move the control sticks to their neutral position. SAFE technology will immediately return the aircraft to an upright level attitude, if the aircraft is at a sufficient height with no obstacles in its path. Return the collective stick to 50% and release the panic switch to turn off panic recovery and return to the current flight mode.

- This mode is intended to provide the pilot with the confidence to continue to improve their flight skills.

### **3D Mode** (*switch position 2*) Red LED

3D Mode is intended for pilots with experience with collective pitch helicopters.

**The model will NOT return to a level attitude position when you release the controls.**

The helicopter has no bank angle limit.

Both the cyclic and yaw controls are at fast, aerobatic rate.

The Panic Recovery button returns the helicopter to a level attitude, either upright or inverted, whichever is closer.

The throttle mode is "Idle up." The motor remains at a constant speed, regardless of the throttle stick position. The throttle stick controls the pitch of the main rotor blades.

### **Throttle Cut**

(*activated with the Throttle Cut switch, position 1*)

Throttle cut is used to turn off the helicopter motors if the helicopter is out of control, in danger of crashing or both. Activate throttle cut anytime the helicopter is in danger to reduce the chance of damaging the helicopter in a crash.

- Move the collective stick to 50% and return all other transmitter controls to neutral for the quickest recovery.
- Once the model has reached a level upright attitude the negative collective is reduced preventing the user from pushing the model into the ground.

**NOTICE:** Before releasing the panic switch, make sure the collective stick has been returned to the 50% position. Once the panic switch has been released, full negative collective becomes available, which could cause the helicopter to descend rapidly.

## First Flight Preparation

- Remove and inspect contents
- Begin charging the flight battery
- Program your computer transmitter
- Install the flight battery in the helicopter (once it has been fully charged)
- Bind your transmitter
- Familiarize yourself with the controls
- Find a suitable area for flying

## Flying the mCP X BL 2

Consult your local laws and ordinances before choosing a location to fly your aircraft.

We recommend flying your aircraft outside in calm winds or inside a large gymnasium. Always avoid flying near houses, trees, wires and buildings.

You should also be careful to avoid flying in areas where there are many people, such as busy parks, schoolyards or soccer fields.

It is best to fly from a smooth flat surface as this will allow the model to slide without tipping over. Keep the helicopter approximately 2 ft (600mm) above the ground. Keep the tail pointed toward you during initial flights to keep the control orientation consistent. Releasing the stick in Beginner Mode will allow the helicopter to level itself and activating the Panic Recovery button will level the helicopter quickly. If you become disoriented while in Beginner Mode, slowly lower the throttle stick to land softly. During initial flights, only attempt takeoff, landing and hovering in one spot.

### Takeoff

Place the model onto a flat, level surface free of obstacles and walk back 30 feet (10 meters). Slowly increase the throttle until the model is approximately 2 ft. (600mm) off the ground and check the trim so the model flies as desired. Once the trim is adjusted, begin flying the model.

### Hovering

Making small corrections on the transmitter, try to hold the helicopter in one spot. If flying in calm winds, the model should require almost no corrective inputs. After moving the cyclic stick and returning it to center the model should level itself. The model may continue to move due to inertia. Move the cycle stick in the opposite direction to stop the movement.

## Flying Checklist

- **Always turn the transmitter on first**
- Plug the flight battery into the lead from the ESC
- Allow the receiver and ESC to initialize and arm properly
- Fly the model
- Land the model
- Unplug the flight battery from the ESC
- **Always turn the transmitter off last**

After you become comfortable hovering, you can progress into flying the model to different locations, keeping the tail pointed towards you at all times. You can also ascend and descend using the throttle stick. Once you're comfortable with these maneuvers, you can attempt flying with the tail in different orientations. It is important to keep in mind that the flight control inputs will rotate with the helicopter, so always try to picture the control inputs relative to the nose of the helicopter. For example, forward will always drop the nose of the helicopter.

### Low Voltage Cutoff (LVC)

LVC decreases the power to the motors when the battery voltage gets low. When the motor power decreases and the red LED on the ESC flashes, land the aircraft immediately and recharge the flight battery. LVC does not prevent the battery from over-discharge during storage.

**NOTICE:** Repeated flying to LVC will damage the battery.

### Landing

To land, slowly decrease the throttle while in a low-level hover. After landing, disconnect and remove the battery from the aircraft after use to prevent trickle discharge. Fully charge your battery before storing it. During storage, make sure the battery charge does not fall below 3V per cell.

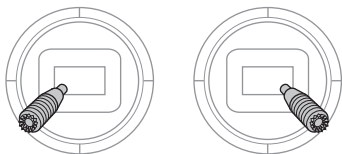
## Drift Calibration

The helicopter has been calibrated in the factory before shipment, but it is possible that a crash will cause mechanical distortion of the frame, resulting in a slight drift in Stability mode. In this situation, please follow the calibration procedure.

Before beginning the calibration procedure, fully charge the flight battery and ensure the helicopter and transmitter are bound properly, per the binding instructions.

To calibrate the Blade mCP X BL 2:

1. After initialization, move the transmitter sticks to the bottom, outside corners, as shown in the illustration.



When the red and blue LEDs on the main control board flash slowly, calibration mode is active.

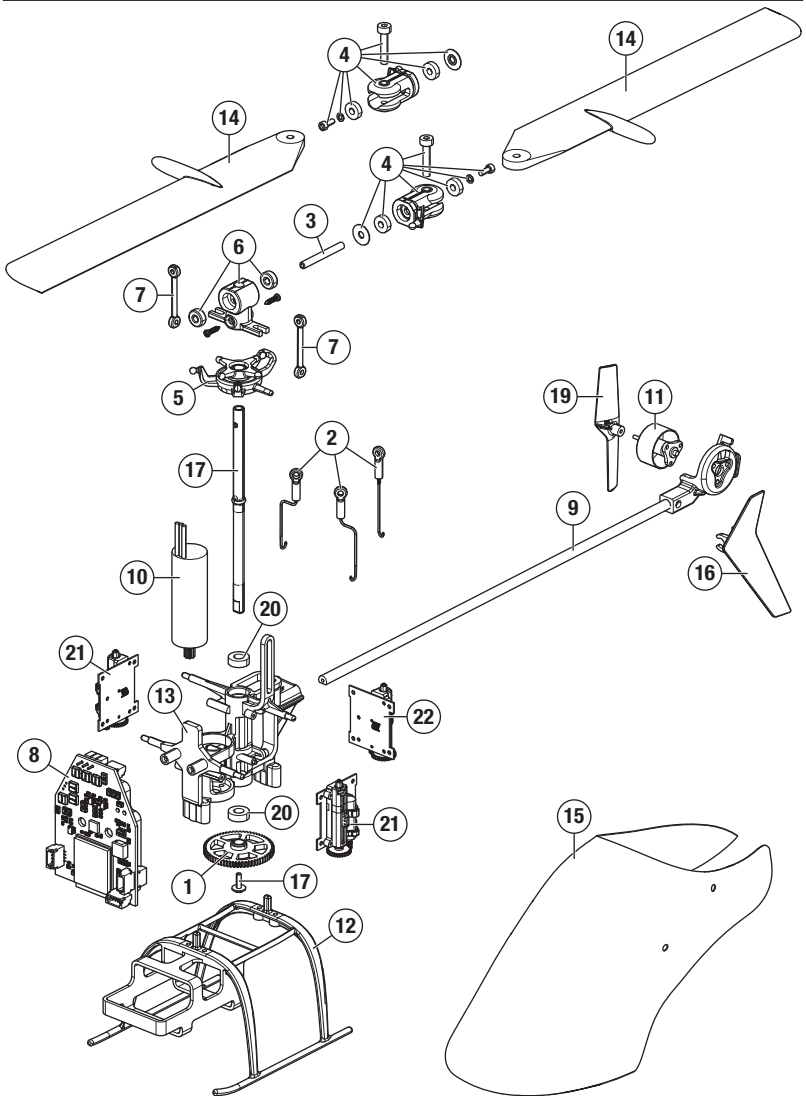
2. Release the sticks.
3. Slowly advance the throttle to bring the helicopter into a low hover. The red and blue LEDs flash rapidly to indicate the calibration process has begun. Hold the hover for approximately 15 seconds, using as little control input as possible to keep the helicopter steady.
4. Land the helicopter by slowly lowering the throttle.
5. After Landing, press the bind/panic button to complete the calibration process. The LED will show solid blue.

## Troubleshooting Guide

Problem	Possible Cause	Solution
Helicopter will not initialize	Throttle at high position	Reset controls with throttle stick and throttle trim at center or lowest setting
	Switches not in normal position	Set flight mode to OFF/0 and exit throttle hold
	Pitch or throttle servo reversing improperly configured	Reset servo reversing Refer to "Programming your Transmitter"
Helicopter will not spool up	Throttle Cut on	Turn off Throttle Cut with throttle low and trim centered or low. Refer to "Throttle Cut" in the Flight Modes section
	Low battery voltage	Completely recharge flight battery
Motor power decreases during flight	Receiver uses default soft Low Voltage Cutoff (LVC)	Recharge the flight battery or replace if the battery performance is poor
Cannot turn off throttle hold	Stunt Mode switch still on	Set flight mode to OFF/ 0 and exit throttle hold
	Throttle not at low position	Reset controls with throttle stick and throttle trim at center or lowest setting
Powers off when flying upside down (inverted)	Flight mode is set to Beginner Mode	Switch the flight mode switch to Intermediate or Experienced Mode before flying inverted
Poor tail authority	Tail boom is cracked	Replace tail boom
	The tail rotor blade is warped or bent	Twist rotor blade back into position or replace
Climb out rate is greatly reduced	Main gear has slipped on the main shaft	Push main gear back into position

Problem	Possible Cause	Solution
LED on receiver flashes rapidly and aircraft will not bind to transmitter (during binding)	Transmitter is too near aircraft during binding process	Power off transmitter, move transmitter a larger distance from aircraft, disconnect and reconnect flight battery to aircraft and follow binding instructions
	Bind switch or button was not held while transmitter was powered on	Power off transmitter and repeat bind process
	Aircraft or transmitter is too close to large metal object, wireless source or another transmitter	Move aircraft and transmitter to another location and attempt binding again
LED on receiver flashes rapidly and aircraft will not respond to transmitter (after binding)	Less than a 5-second wait between first powering on transmitter and connecting flight battery to aircraft	Leaving transmitter on, disconnect and reconnect flight battery to aircraft
	Aircraft is bound to a different model memory (ModelMatch™ radios only)	Select correct model memory on transmitter and disconnect and reconnect flight battery to aircraft
	Flight battery/transmitter battery charge is too low	Replace/recharge batteries
	Transmitter may have been bound to a different model (or with a different DSM® Protocol)	Select the right transmitter or bind to the new one
	Aircraft or transmitter is too close to large metal object, wireless source or another transmitter	Move aircraft and transmitter to another location and attempt connecting again
Helicopter vibrates or shakes in flight	Damaged rotor blades, spindle or blade grips	Check main rotor blades and blade grips for cracks or chips. Replace damaged parts. Replace bent spindle

## Exploded View



## Replacement Parts

	Part #	Description
1	BLH3506	Main Gear
2	BLH3508	Servo Pushrod Set
3	BLH3911	Feathering Spindle
4	BLH3912	Main Bld Grips
5	BLH3914	Complete Swashplate
6	BLH3915	Main Rtr Hub
7	BLH3916	Rtr Head Linkage (8)
8	BLH6001	FBL Control Unit w/ RX
9	BLH6002	Tail Boom
10	BLH6003	Brushless Main Motor
11	BLH6004	Brushless Tail Motor
12	BLH6005	Landing Gear
13	BLH6006	Main Frame
14	BLH6007	Rotor Blade Set
15	BLH6008	Canopy
16	BLH6009	Tail Fin
17	BLH6010	AL Main Shaft
18	BLH6011	Hardware Set
19	BLH6012	Tail Rotor Prop (3)

	Part #	Description
20	EFLH2215	OuterShaft Bearing 3x6x2mm
21	SPMSH2027L	Servo
22	SPMSH2028L	Servo

## Recommended Parts

Part #	Description
EFLB2802S30	280mAh 2S 7.4V 30C Li-Po Battery

## Optional Parts

Part #	Description
BLH3907GR	Green FF Main Blade
BLH3907OR	Orange FF Main Blade
BLH3907YE	Yellow FF Main Blade
	DX7s DSMX 7-Channel Transmitter
	DX6 DSMX 6-Channel Transmitter
	DX7 DSMX 7-Channel Transmitter
	DX8 DSMX 8-Channel Transmitter
	DX9 DSMX 9-Channel Transmitter
	iX12 DSMX 12-Channel Transmitter

## Limited Warranty

### What this Warranty Covers

Horizon Hobby, LLC, (Horizon) warrants to the original purchaser that the product purchased (the "Product") will be free from defects in materials and workmanship at the date of purchase.

### What is Not Covered

This warranty is not transferable and does not cover (i) cosmetic damage, (ii) damage due to acts of God, accident, misuse, abuse, negligence, commercial use, or due to improper use, installation, operation or maintenance, (iii) modification of or to any part of the Product, (iv) attempted service by anyone other than a Horizon Hobby authorized service center, (v) Product not purchased from an authorized Horizon dealer, (vi) Product not compliant with applicable technical regulations, or (vii) use that violates any applicable laws, rules, or regulations.

OTHER THAN THE EXPRESS WARRANTY ABOVE, HORIZON MAKES NO OTHER WARRANTY OR REPRESENTATION, AND HEREBY DISCLAIMS ANY AND ALL IMPLIED WARRANTIES, INCLUDING, WITHOUT LIMITATION, THE IMPLIED WARRANTIES OF NON-INFRINGEMENT, MERCHANTABILITY AND FITNESS FOR A PARTICULAR PURPOSE. THE PURCHASER ACKNOWLEDGES THAT THEY ALONE

HAVE DETERMINED THAT THE PRODUCT WILL SUITABLY MEET THE REQUIREMENTS OF THE PURCHASER'S INTENDED USE.

### Purchaser's Remedy

Horizon's sole obligation and purchaser's sole and exclusive remedy shall be that Horizon will, at its option, either (i) service, or (ii) replace, any Product determined by Horizon to be defective. Horizon reserves the right to inspect any and all Product(s) involved in a warranty claim. Service or replacement decisions are at the sole discretion of Horizon. Proof of purchase is required for all warranty claims. SERVICE OR REPLACEMENT AS PROVIDED UNDER THIS WARRANTY IS THE PURCHASER'S SOLE AND EXCLUSIVE REMEDY.

### Limitation of Liability

HORIZON SHALL NOT BE LIABLE FOR SPECIAL, INDIRECT, INCIDENTAL OR CONSEQUENTIAL DAMAGES, LOSS OF PROFITS OR PRODUCTION OR COMMERCIAL LOSS IN ANY WAY, REGARDLESS OF WHETHER SUCH CLAIM IS BASED IN CONTRACT, WARRANTY, TORT, NEGLIGENCE, STRICT LIABILITY OR ANY OTHER THEORY OF LIABILITY, EVEN IF HORIZON HAS BEEN ADVISED OF THE POSSIBILITY OF SUCH DAMAGES. Further, in no event shall the liability of Horizon exceed the individual price of the Product on which liability is

asserted. As Horizon has no control over use, setup, final assembly, modification or misuse, no liability shall be assumed nor accepted for any resulting damage or injury. By the act of use, setup or assembly, the user accepts all resulting liability. If you as the purchaser or user are not prepared to accept the liability associated with the use of the Product, purchaser is advised to return the Product immediately in new and unused condition to the place of purchase.

### Law

These terms are governed by Illinois law (without regard to conflict of law principals). This warranty gives you specific legal rights, and you may also have other rights which vary from state to state. Horizon reserves the right to change or modify this warranty at any time without notice.

### WARRANTY SERVICES

#### Questions, Assistance, and Services

Your local hobby store and/or place of purchase cannot provide warranty support or service. Once assembly, setup or use of the Product has been started, you must contact your local distributor or Horizon directly. This will enable Horizon to better answer your questions and service you in the event that you may need any assistance. For questions or assistance, please visit our website at [www.horizonhobby.com](http://www.horizonhobby.com), submit a Product Support Inquiry, or call the toll free telephone number referenced in the Warranty and Service Contact Information section to speak with a Product Support representative.

#### Inspection or Services

If this Product needs to be inspected or serviced and is compliant in the country you live and use the Product in, please use the Horizon Online Service Request submission process found on our website or call Horizon to obtain a Return Merchandise Authorization (RMA) number. Pack the Product securely using a shipping carton. Please note that original boxes may be included, but are not designed to withstand the rigors of shipping without additional protection. Ship via a carrier that provides tracking and insurance for lost or damaged parcels, as Horizon is not responsible for merchandise until it arrives and is accepted at our facility. An Online Service Request is available at [http://www.horizonhobby.com/content/service-center\\_render-service-center](http://www.horizonhobby.com/content/service-center_render-service-center). If you do not have internet access, please contact Horizon Product Support to obtain a RMA number along with instructions for submitting your product for service. When calling Horizon, you will be asked to provide your complete name, street address, email address

and phone number where you can be reached during business hours. When sending product into Horizon, please include your RMA number, a list of the included items, and a brief summary of the problem. A copy of your original sales receipt must be included for warranty consideration. Be sure your name, address, and RMA number are clearly written on the outside of the shipping carton.

**NOTICE:** Do not ship Li-Po batteries to Horizon. If you have any issue with a Li-Po battery, please contact the appropriate Horizon Product Support office.

### Warranty Requirements

For Warranty consideration, you must include your original sales receipt verifying the proof-of-purchase date. Provided warranty conditions have been met, your Product will be serviced or replaced free of charge. Service or replacement decisions are at the sole discretion of Horizon.

### Non-Warranty Service

Should your service not be covered by warranty, service will be completed and payment will be required without notification or estimate of the expense unless the expense exceeds 50% of the retail purchase cost. By submitting the item for service you are agreeing to payment of the service without notification. Service estimates are available upon request. You must include this request with your item submitted for service. Non-warranty service estimates will be billed a minimum of ½ hour of labor. In addition you will be billed for return freight. Horizon accepts money orders and cashier's checks, as well as Visa, MasterCard, American Express, and Discover cards. By submitting any item to Horizon for service, you are agreeing to Horizon's Terms and Conditions found on our website [http://www.horizonhobby.com/content/service-center\\_render-service-center](http://www.horizonhobby.com/content/service-center_render-service-center).

**ATTENTION: Horizon service is limited to Product compliant in the country of use and ownership. If received, a non-compliant Product will not be serviced. Further, the sender will be responsible for arranging return shipment of the un-serviced Product, through a carrier of the sender's choice and at the sender's expense. Horizon will hold non-compliant Product for a period of 60 days from notification, after which it will be discarded.**

## Warranty and Service Contact Information

Country of Purchase	Horizon Hobby	Contact Information	Address
USA	Horizon Service Center (Repairs and Repair Requests)	servicecenter.horizonhobby.com/ RequestForm/	2904 Research Rd Champaign, Illinois 61822 USA
	Horizon Product Support (Product Technical Assistance)	productsupport@horizonhobby.com 877-504-0233	
	Sales	websales@horizonhobby.com 800-338-4639	
EU	Horizon Technischer Service	service@horizonhobby.eu	Hanskampring 9 D 22885 Barsbüttel, Germany
	Sales: Horizon Hobby GmbH	+49 (0) 4121 2655 100	

## FCC Information

### Contains FCC ID: BRWWAC01T

This device complies with part 15 of the FCC rules. Operation is subject to the following two conditions: (1) This device may not cause harmful interference, and (2) this device must accept any interference received, including interference that may cause undesired operation.



**CAUTION:** Changes or modifications not expressly approved by the party responsible for compliance could void the user's authority to operate the equipment.

This product contains a radio transmitter with wireless technology which has been tested and found to be compliant with the applicable regulations governing a radio transmitter in the 2.400GHz to 2.4835GHz frequency range.

### Supplier's Declaration of Conformity Blade mCP X BL2 (BLH6050)

**FC** This device complies with part 15 of the FCC Rules. Operation is subject to the following two conditions: (1) This device may not cause harmful interference, and (2) this device must accept any interference received, including interference that may cause undesired operation.



**CAUTION:** Changes or modifications not expressly approved by the party responsible for compliance could void the user's authority to operate the equipment.

**NOTE:** This equipment has been tested and found to comply with the limits for a Class B digital device, pursuant to part 15 of the FCC Rules. These limits are designed to provide reasonable protection against harmful interference in a residential installation. This equipment generates, uses and can radiate radio frequency energy and, if not installed and used in accordance with the instructions, may cause harmful interference to radio communications. However, there is no guarantee that interference will not occur in a particular installation. If this equipment does cause harmful interference to radio or television reception, which can be determined by turning the equipment off and on, the user is encouraged to try to correct the interference by one or more of the following measures:

- Reorient or relocate the receiving antenna.
- Increase the separation between the equipment and receiver.
- Connect the equipment into an outlet on a circuit different from that to which the receiver is connected.
- Consult the dealer or an experienced radio/TV technician for help.

Horizon Hobby, LLC  
2904 Research Rd.  
Champaign, IL 61822  
Email: compliance@horizonhobby.com  
Web: HorizonHobby.com



## IC Information

---

### Contains IC: 6157A-WAC01T

This device complies with Industry Canada license-exempt RSS standard(s). Operation is subject to the following two conditions: (1) this device may not cause interference, and (2) this device must accept any interference, including interference that may cause undesired operation of the device.

## Compliance Information for the European Union

---



**EU Compliance Statement:** Horizon Hobby, LLC hereby declares that this product is in compliance with the essential requirements and other relevant provisions of the RED and EMC Directives.

A copy of the EU Declaration of Conformity is available online at:

<http://www.horizonhobby.com/content/support-render-compliance>.

### Instructions for disposal of WEEE by users in the European Union



This product must not be disposed of with other waste. Instead, it is the user's responsibility to dispose of their waste equipment by handing it over to a designated collection point for the recycling of waste electrical and electronic equipment. The separate collection and recycling of your waste equipment at the time of disposal will help to conserve natural resources and ensure that it is recycled in a manner that protects human health and the environment. For more information about where you can drop off your waste equipment for recycling, please contact your local city office, your household waste disposal service or

where you purchased the product.



**E328**



©2019 Horizon Hobby, LLC.

Blade, the Blade logo, SAFE, the SAFE logo, BNF, the BNF logo, DSM, DSM2, DSMX, ModelMatch, and the Horizon Hobby logo are trademarks or registered trademarks of Horizon Hobby, LLC.

The Spektrum trademark is used with permission of Bachmann Industries, Inc.

All other trademarks, service marks or logos are property of their respective owners.

US 8,672,726. US 9,930,567. D774,933.

Created 8/19

60333.1

BLH6050