



ANKERZIEHSCHLEPPER FAIRPLAY 30

1:50 SCALE RC KIT
ITEM NO: FP201801

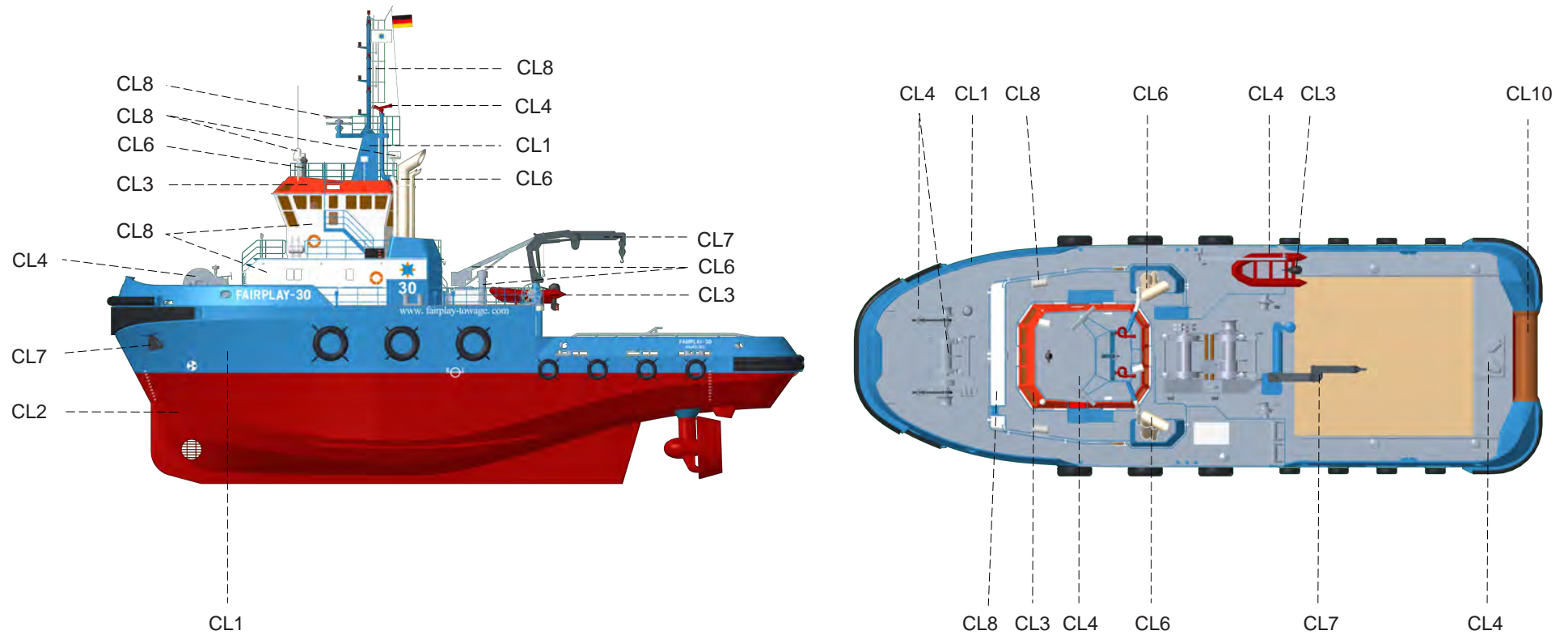
Vorbildähnliches Modell
zur Steuerung ab
2 Funktionen



SPEZIFIKATION

	14+
	780mm
	267mm
	5500g

颜色 Color	船体蓝 Blue	水线红 Red	大红 Red	船甲板灰 Grey	吊车蓝 Golden	电镀银色 Silvery	黑色 Black	白色 White	白底 White	咖啡色 White
标号 Item Number	CL1	CL2	CL3	CL4	CL5	CL6	CL7	CL8	CL9	CL10
RAL 编号 RAL Code	RAL5015	RAL3013	RAL3026	RAL7001	RAL5001	RAL9022	RAL9004			RAL5008



ANKERZIEHSCHLEPPER FAIRPLAY 30

READ BEFORE ASSEMBLY:

- * This kit is not recommended for inexperienced modelers or for children under 16 years of age.
- * Study and understand these instructions thoroughly before beginning assembly.
- * When needed, remove photo-etch parts carefully using a modeling knife or photo etch sprue cutter, being careful not to damage or lose small parts.
- * Take extra care in handling photo etch parts in order to avoid injury.
- * Apply instant cement sparingly to photo etch parts where instructed.
- * Tools recommend(not included in kit):Plastic and instant cements,sprue cutters,long nose pliers,modeling knife,small files, tweezers, pin vise & scissors. Soft cloth and sandpaper will also assist in construction.
- * Glue and paint are not included in the kit. Use plastic cement and hobby paints only. Color guide for purchasing paint is included in the kit.
- * Keep out of reach of children. They must not be allowed to ingest small parts or handle plastic bags in any way.

装配之前仔细阅读

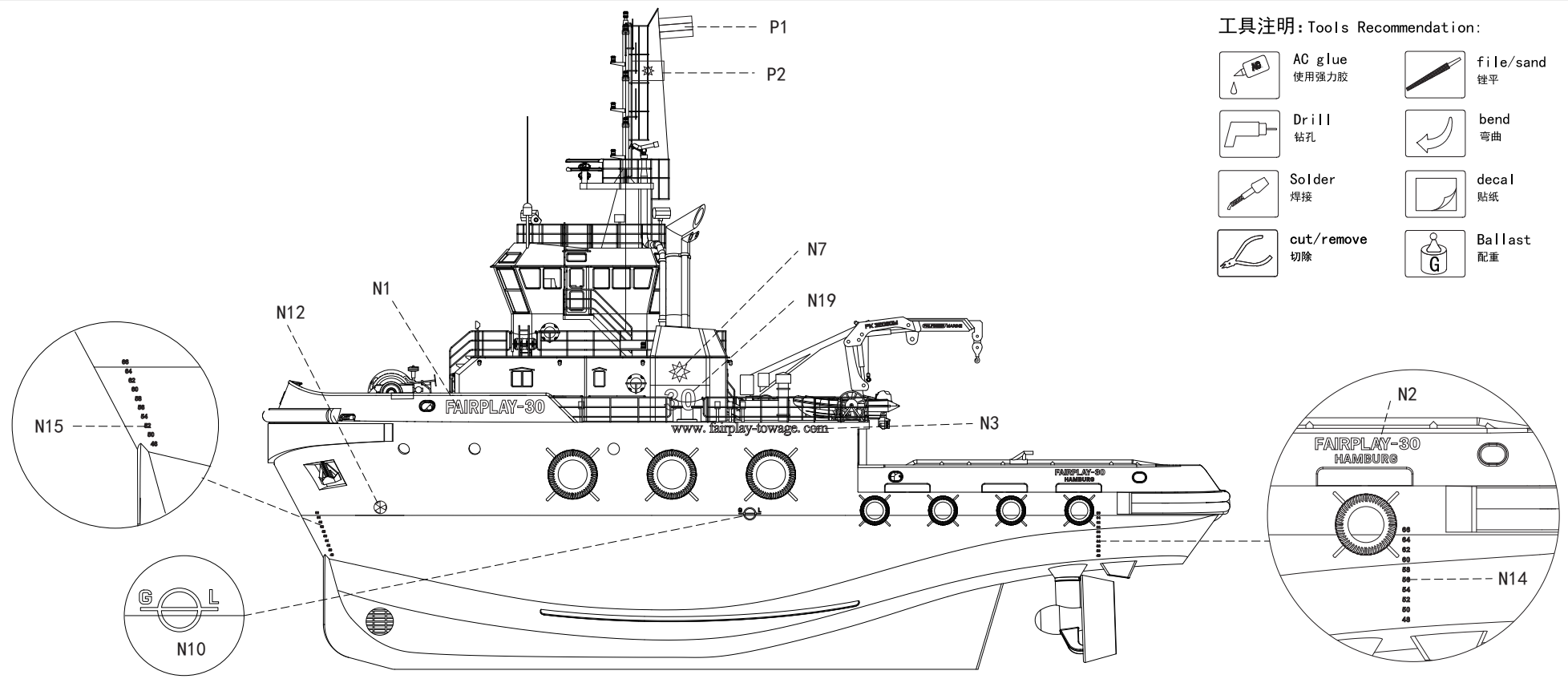
- * 小心用模型锉刀锉平所有零件表面的注塑浇口。
- * 小心用刀片切下蚀刻片零件，不要遗失小零件。
- * 用强力快干胶水粘合蚀刻片零件和金属轴。使用过量的快干胶水可能导致可动零件被粘住，小心涂胶。
- * 取蚀刻片时应特别注意安全，防止利边划伤手指。
- * 某些零件表面需贴水上贴纸，请在装配时同时进行。
- * 推荐模型工具（自备）：胶水、水口剪刀，长阻钳，刀片，锉刀，镊子，钳，钻，剪刀，瞬间快干胶，软布和砂纸。
- * 请使用塑料胶水和油漆，模型内不含。
- * 谨防小孩吸吮塑料零件，或者将塑料袋套在头上，制作时应将套材远离小孩。
- * 本产品不适合没有经验的模型爱好者以及16岁以下的儿童。

DECAL APPLICATION


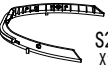
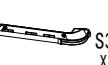








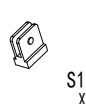


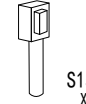
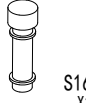
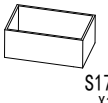





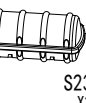
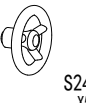
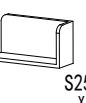




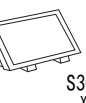







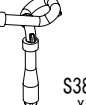









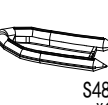







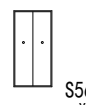
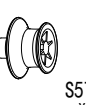
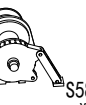
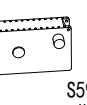

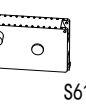
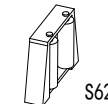
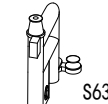
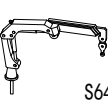
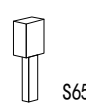


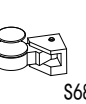


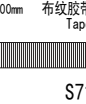
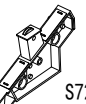

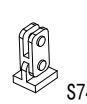




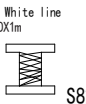
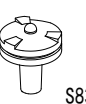






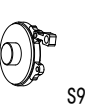
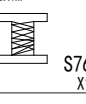
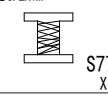
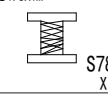
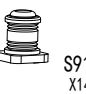

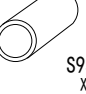
- 1.Cut decals from Sheet as needed
- 2.Dip the decal in warm water for about 10 seconds and then place on soft clean cloth
- 3.Hold the decal backing sheet edge and gently slide the decal onto the model in its proper position.
- 4.While still wet,decal can be adjusted for better fit on model by dampening it gently with your finger
- 5.When placed in the proper position,gently press decal down with a soft cloth until excess water and air bubbles are gone.
6. Allow decal to dry completely before handling model.

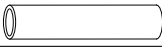
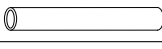
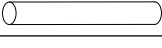
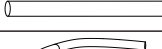
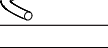


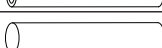
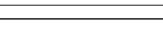


贴纸的使用:

1. 从水贴纸上取下印花;
2. 将印花放入温水中浸10秒, 然后放在干净布上。
3. 拿着印花纸边缘将印花移到模型上;
4. 手指蘸水将印花移到适当的位置;
5. 用软布轻压印花直至水干, 气泡消失;
6. 待印花纸完全干燥后再使用船模。



Parts 部件

	此件已装在船体上 Already installed in the hull.		此件已装在船体上 Already installed in the hull.		此件已装在船体上 Already installed in the hull.												
																	
				(此件不配) Not included.												tuba 大号 Medium 中号 1.3m trumpet 小号	
								Magnet (磁铁) Ø8x1.5mm									
										45x100mm 布纹胶带 Tape							
黄线 Yellow line Ø0.3X1m	白线 White line Ø0.2X1m	白线 White line Ø1.5X1m						锚眼 Anchor eye									
																	
																	

Number (编号)	Specifications (规格)	quantity (数量)	
T1	Ø6.0X140mm ABS Tube (ABS管)	1	
T2	Ø3.0X100mm ABS Tube (ABS管)	1	
T3	Ø3.0X250mm ABS Rod (ABS棒)	1	
T4	Ø1.5X250mm ABS Rod (ABS棒)	1	
T5	Ø10.0X230mm Rubber Rod (橡胶圆条)	1	
T6	Ø8.0X600mm Rubber Rod (橡胶圆条)	1	
T7	PVC Tube (PVC管) Ø16.0X30.3mm	1	
	PVC Tube (PVC管) Ø16.0X35mm	2	
T8	PVC Tube (PVC管) Ø25.0X12.5mm	1	
	PVC Tube (PVC管) Ø25.0X86mm	1	
T9	Ø4.0X150mm PVC Tube (PVC棒)	1	

Number (编号)	Specifications (规格)	quantity (数量)	
Ta1	Ø2.0X40mm Brass Rod (铜棒)	1	
Ta2	Ø1.2X300mm Brass Rod (铜棒)	1	
Ta3	Ø0.8X300mm Brass Rod (铜棒)	1	
Ta4	Ø0.5X400mm Steel Rod (钢棒)	1	
Ta5	Ø1.5X100mm Brass Rod (铜棒)	1	
Ta6	Ø2.0X40mm ABS Tube (ABS管)	1	

FAIRPLAY-30

N1

FAIRPLAY-30
HAMBURG

N2

FAIRPLAY-30

FAIRPLAY-30
HAMBURG

www.fairplay-towage.com

N3

www.fairplay-towage.com

FAIRPLAY 30

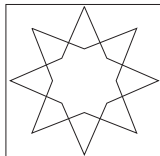
N4

IMO 9416563

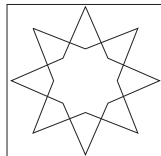
N5



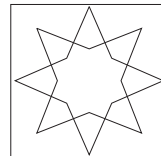
N6



N7



N7



N7

FURUNO

N18

FURUNO

FURUNO

N18

FURUNO

30

N19

30

N19

30

N21



N8

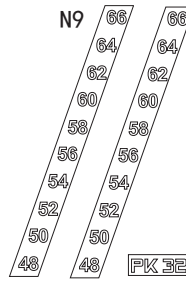


N20



N22

N



N9



N10



FALFINGER/MARINE

N11



N12

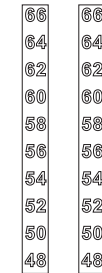
FALFINGER/MARINE



N13

PK 32080M

PK 32080M



N14



N15



N22

EMERGENCY ESCAPE

N16

EMERGENCY ESCAPE

N16

EMERGENCY ESCAPE

EMERGENCY ESCAPE

N17

EMERGENCY ESCAPE

EMERGENCY ESCAPE

EMERGENCY ESCAPE

EMERGENCY ESCAPE

EMERGENCY ESCAPE

EMERGENCY ESCAPE

EMERGENCY ESCAPE

EMERGENCY ESCAPE

EMERGENCY ESCAPE

EMERGENCY ESCAPE

EMERGENCY ESCAPE

EMERGENCY ESCAPE

EMERGENCY ESCAPE

EMERGENCY ESCAPE

EMERGENCY ESCAPE

EMERGENCY ESCAPE

EMERGENCY ESCAPE

EMERGENCY ESCAPE

EMERGENCY ESCAPE

EMERGENCY ESCAPE

EMERGENCY ESCAPE

EMERGENCY ESCAPE

EMERGENCY ESCAPE

EMERGENCY ESCAPE

EMERGENCY ESCAPE

EMERGENCY ESCAPE

EMERGENCY ESCAPE

EMERGENCY ESCAPE

EMERGENCY ESCAPE

EMERGENCY ESCAPE

EMERGENCY ESCAPE

EMERGENCY ESCAPE

EMERGENCY ESCAPE

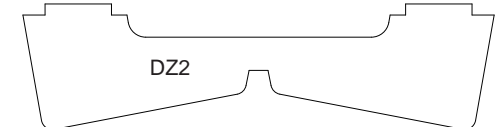
EMERGENCY ESCAPE

EMERGENCY ESCAPE

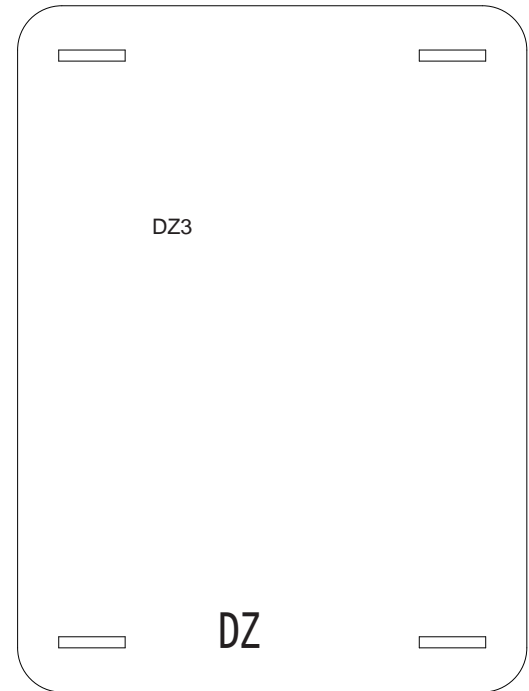
EMERGENCY ESCAPE



DZ1

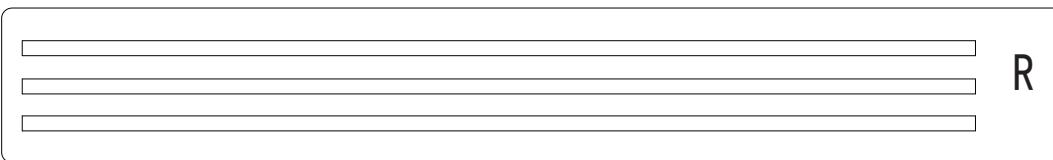


DZ2

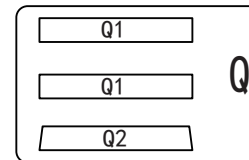


DZ3

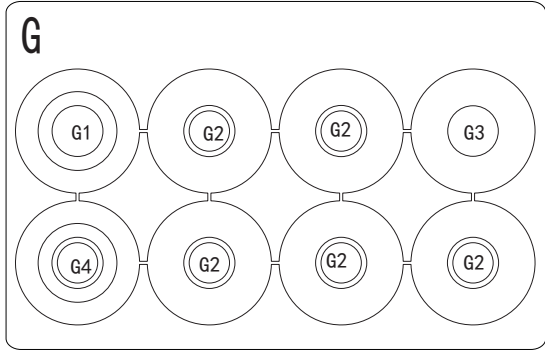
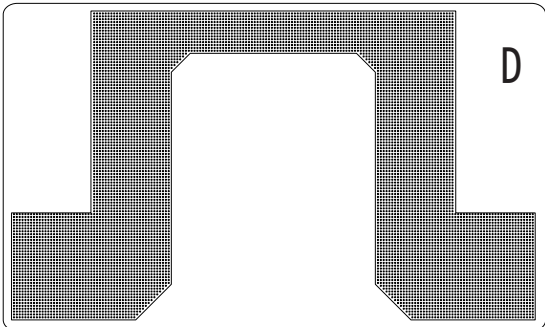
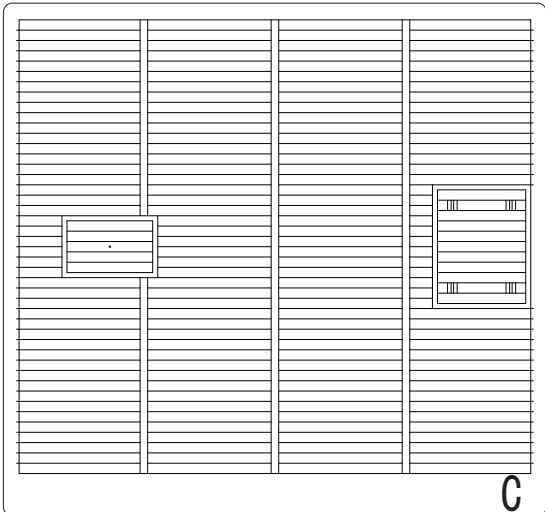
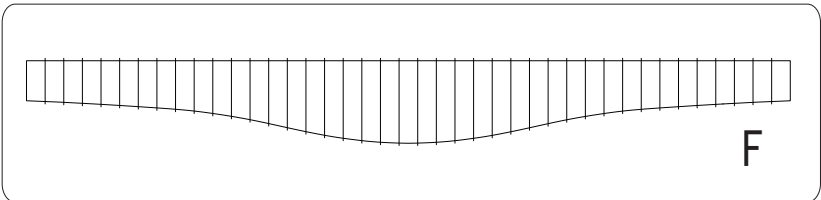
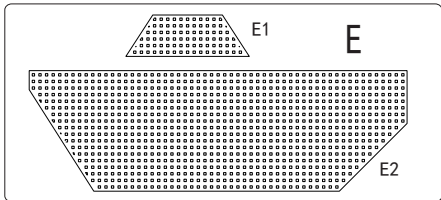
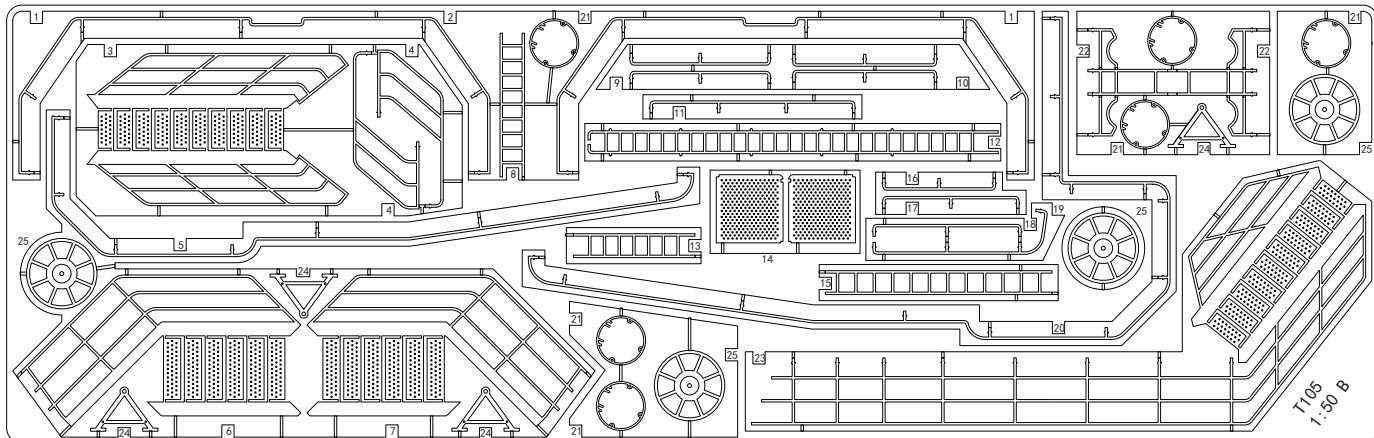
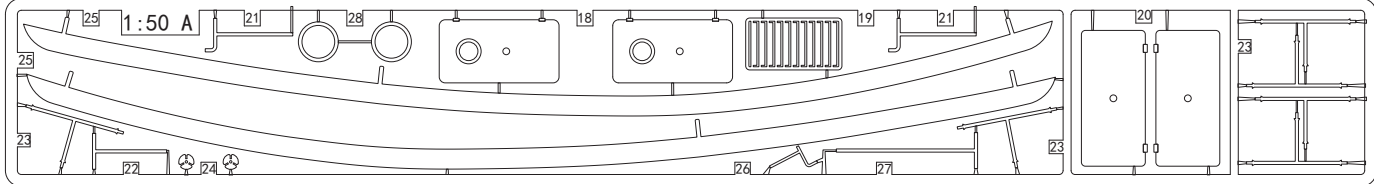
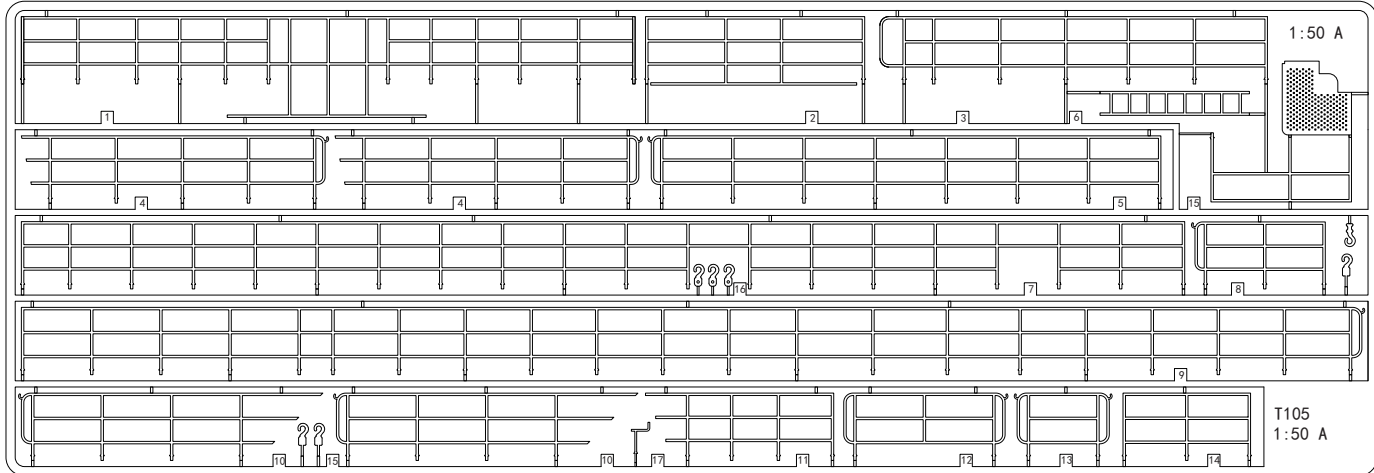
DZ

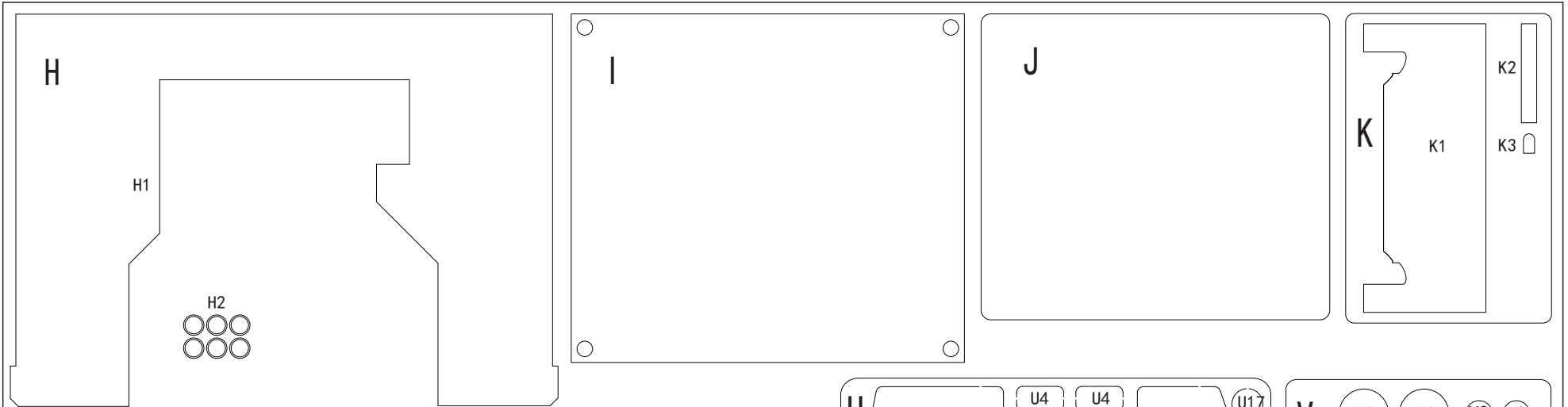


R

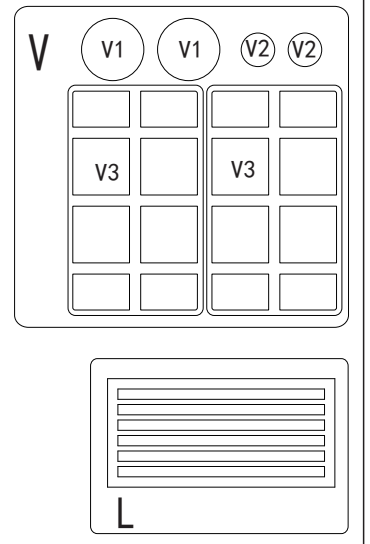
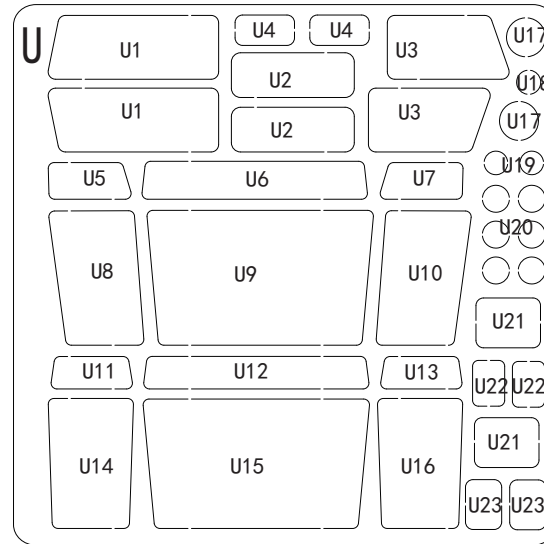


Q

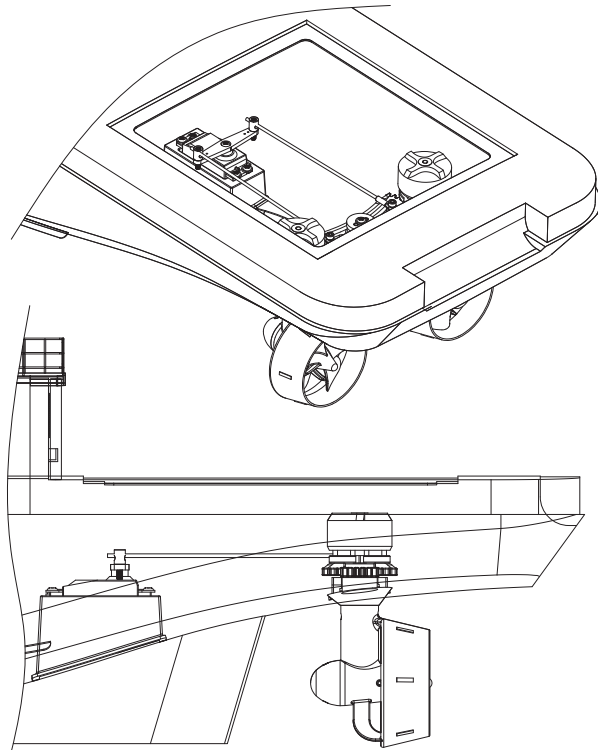
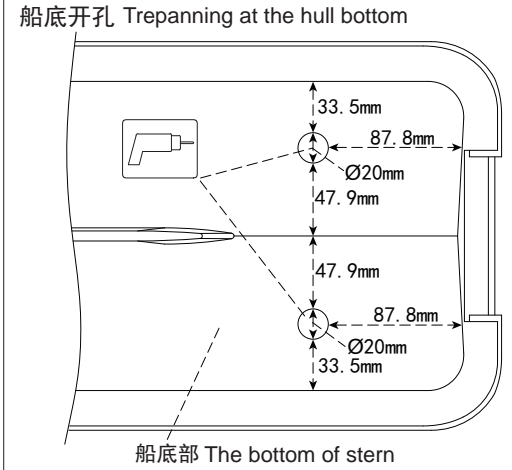
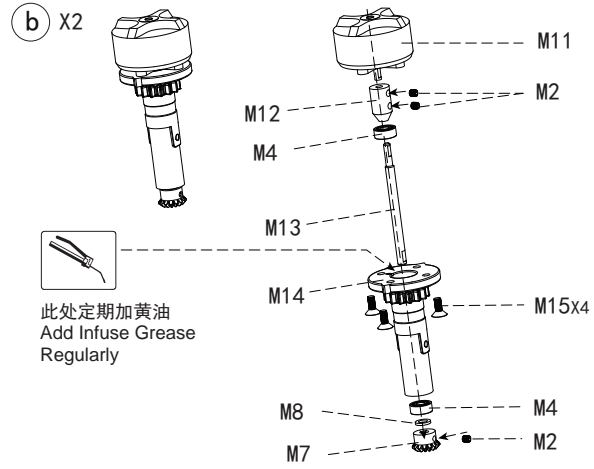
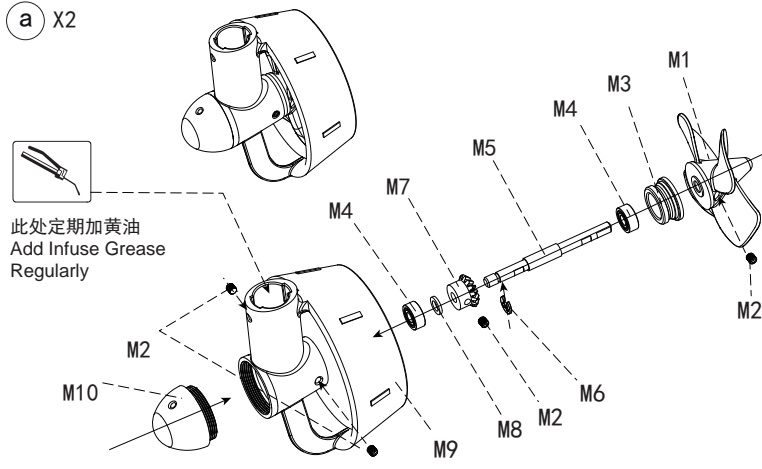




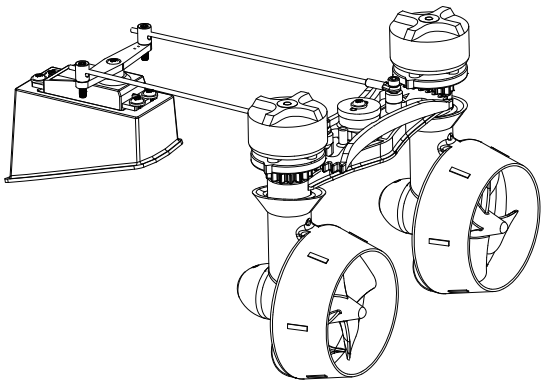
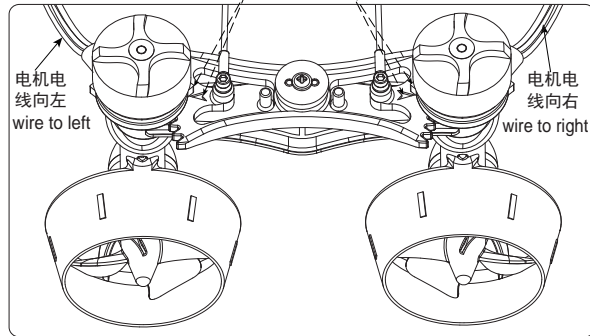
M Driving Parts(Bag Pack) 动力部件



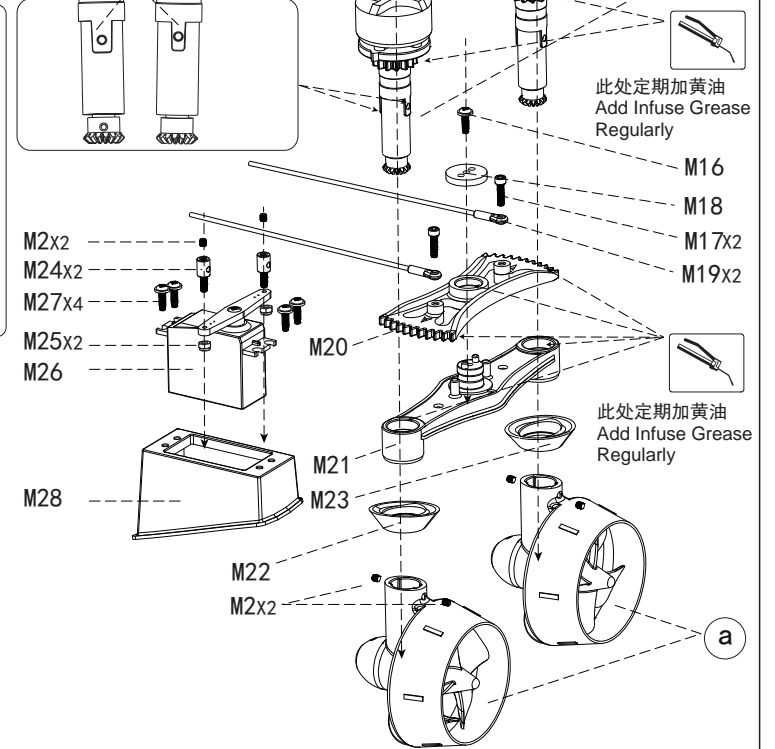
Power system Assembly 动力安装图

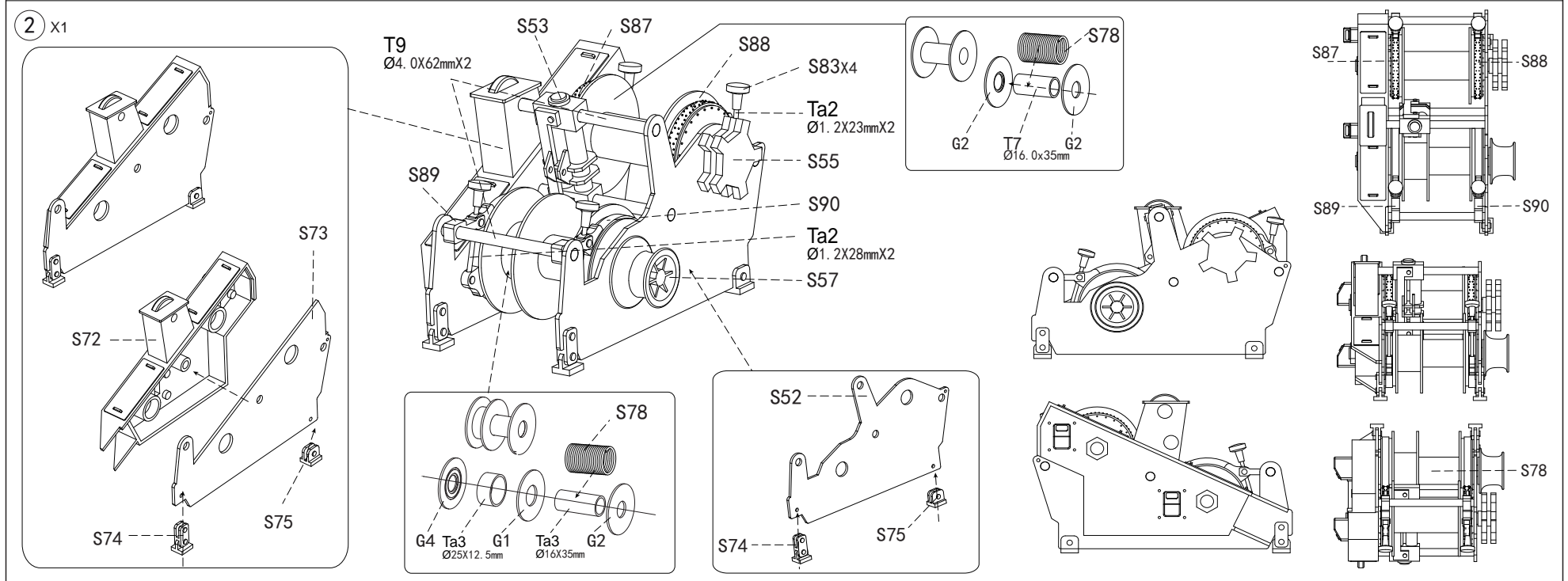
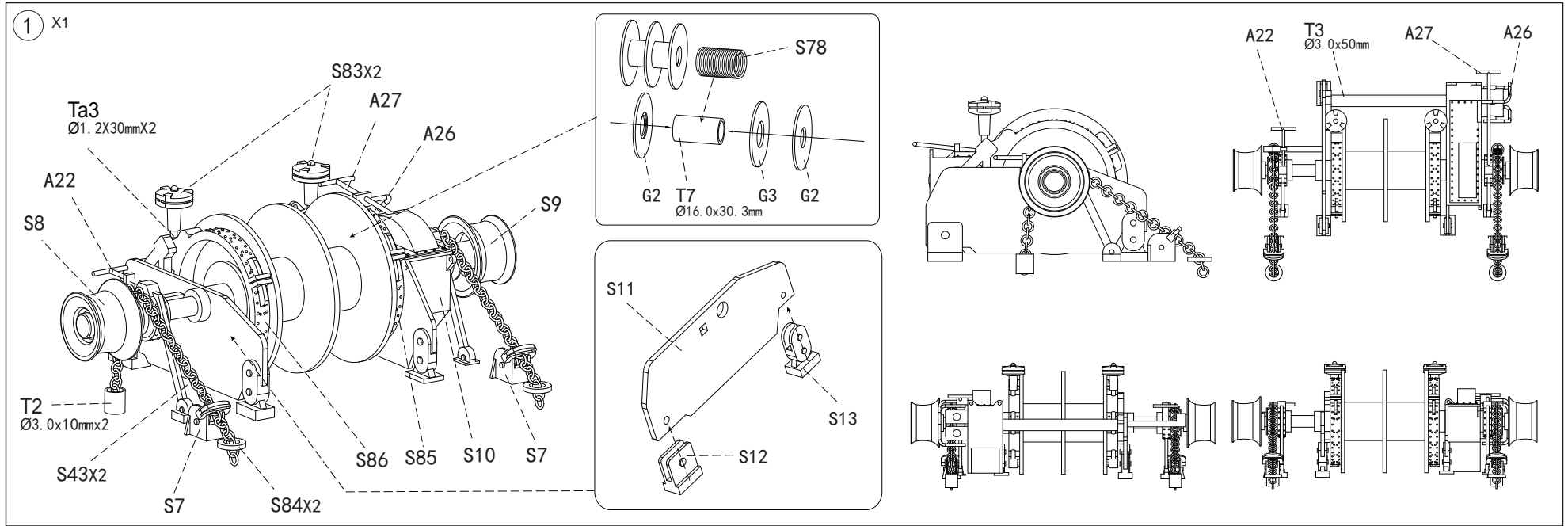


Please pay attention when installing: align center these two triangle markings.
安装时注意：这两个地方的三角标识要居中对齐。

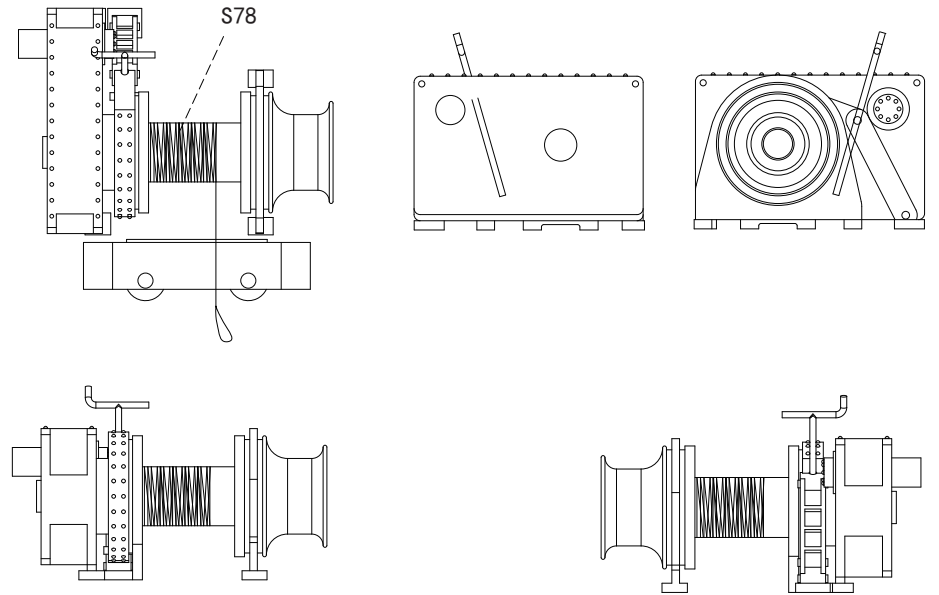
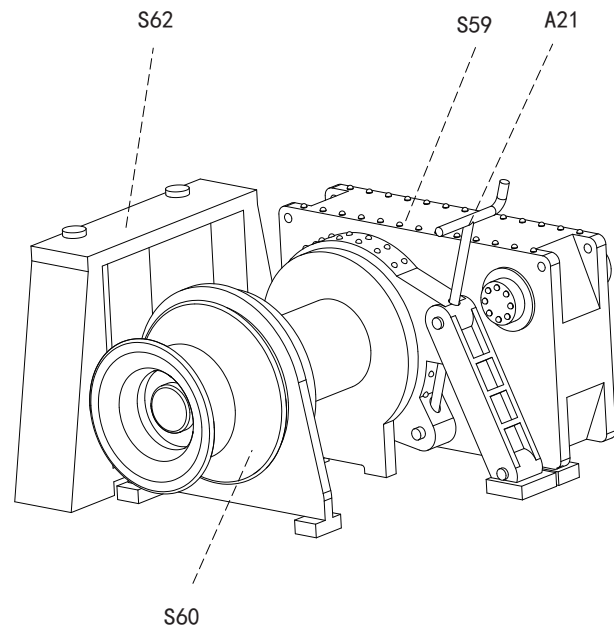


The large part towards the bow, the small part towards the stern.
大面朝向船头，小面朝向船尾

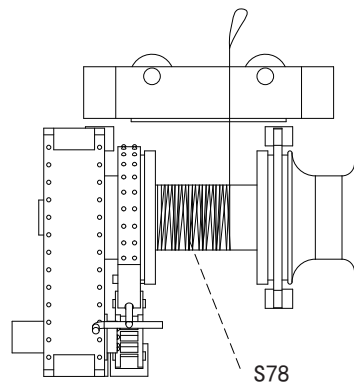
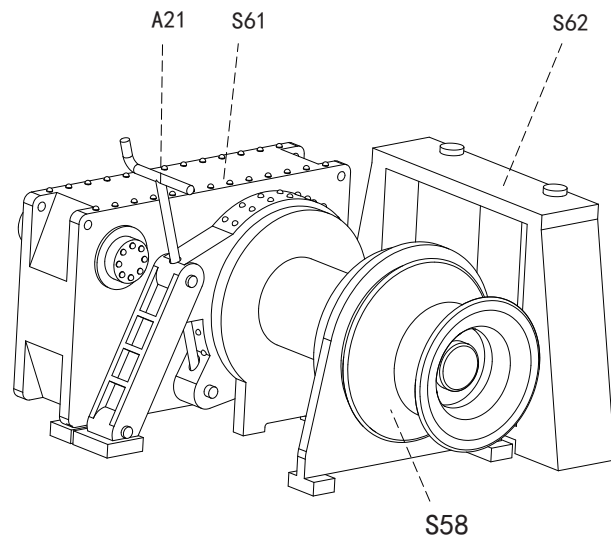




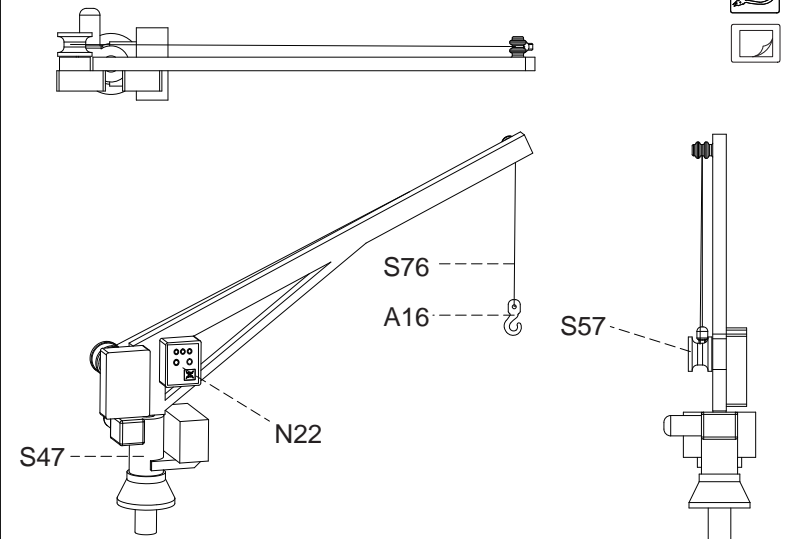
3 x1



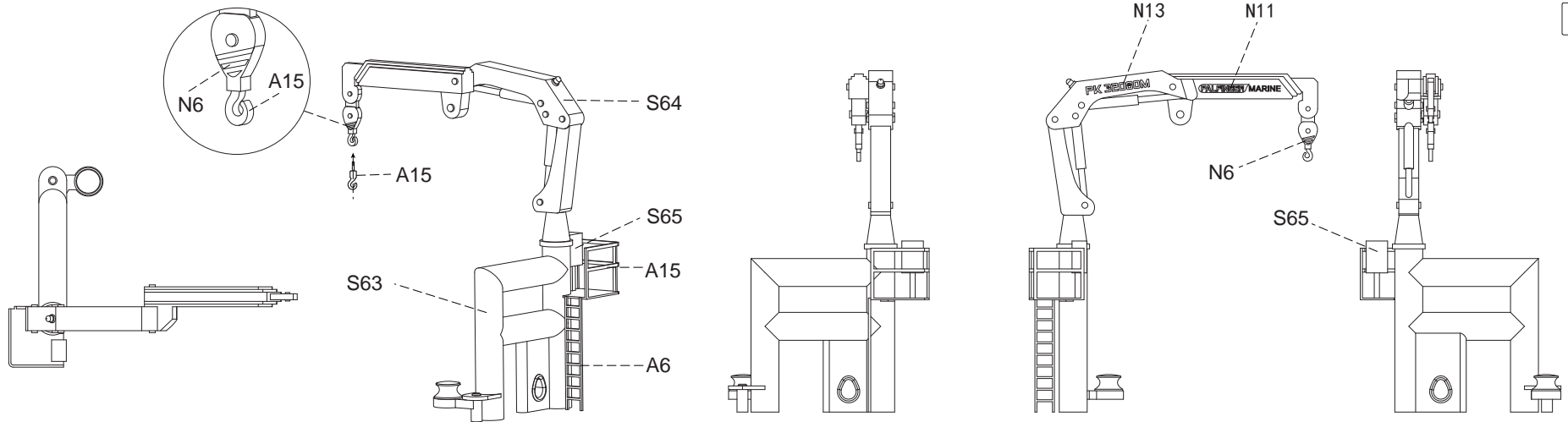
4 x1



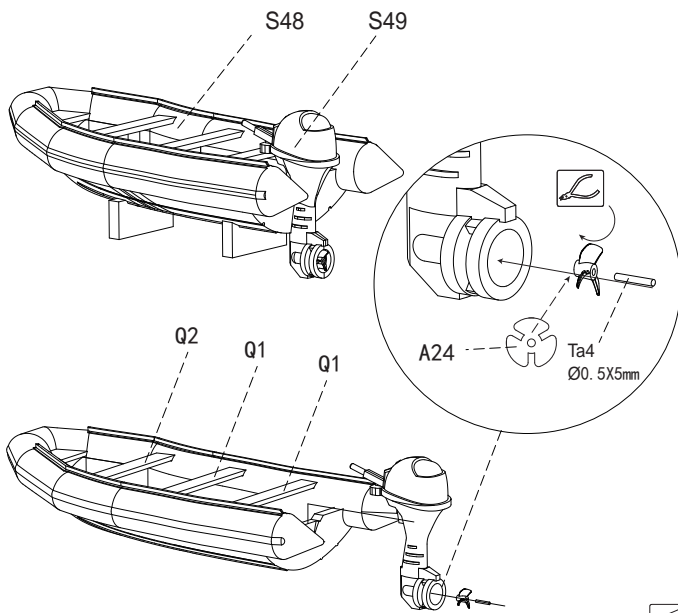
5 x1



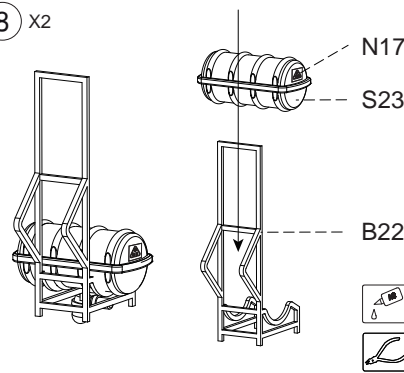
6 X1



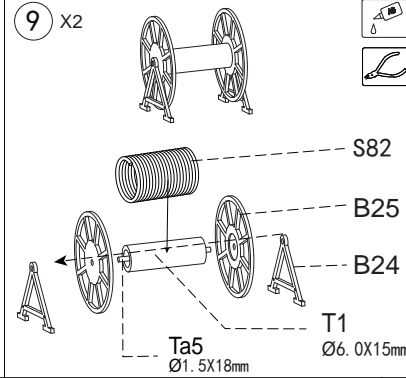
7 X1



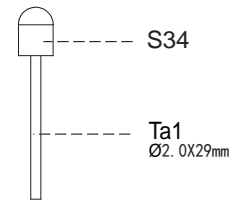
8 X2



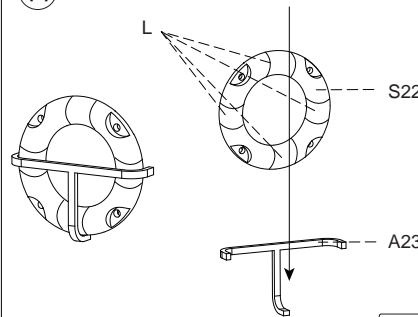
9 X2



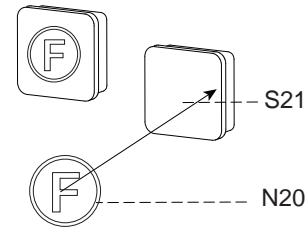
10 X1



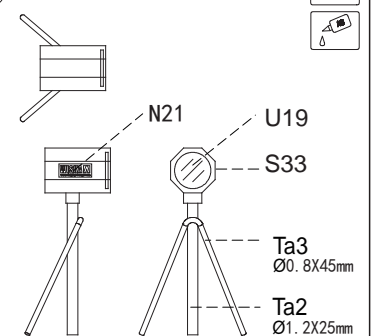
11 X6



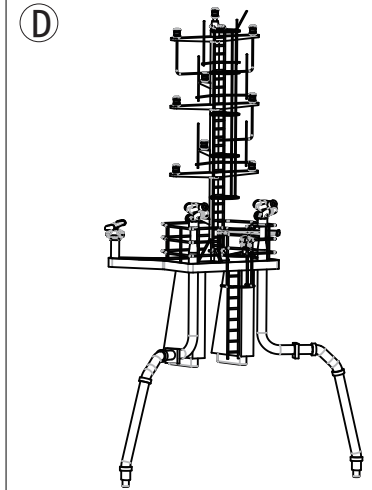
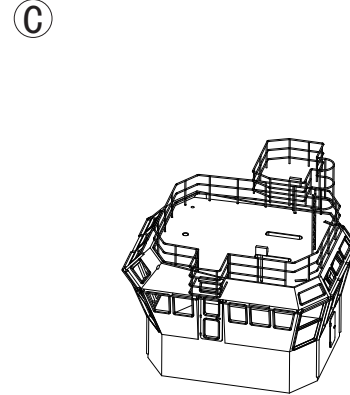
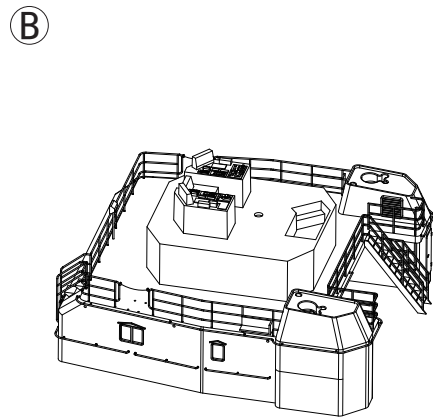
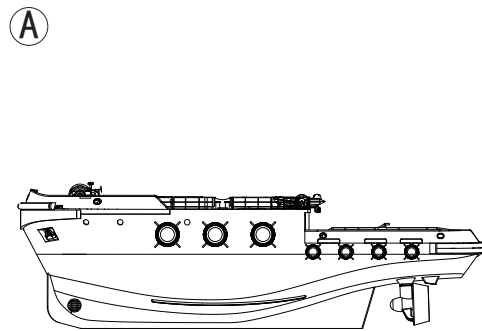
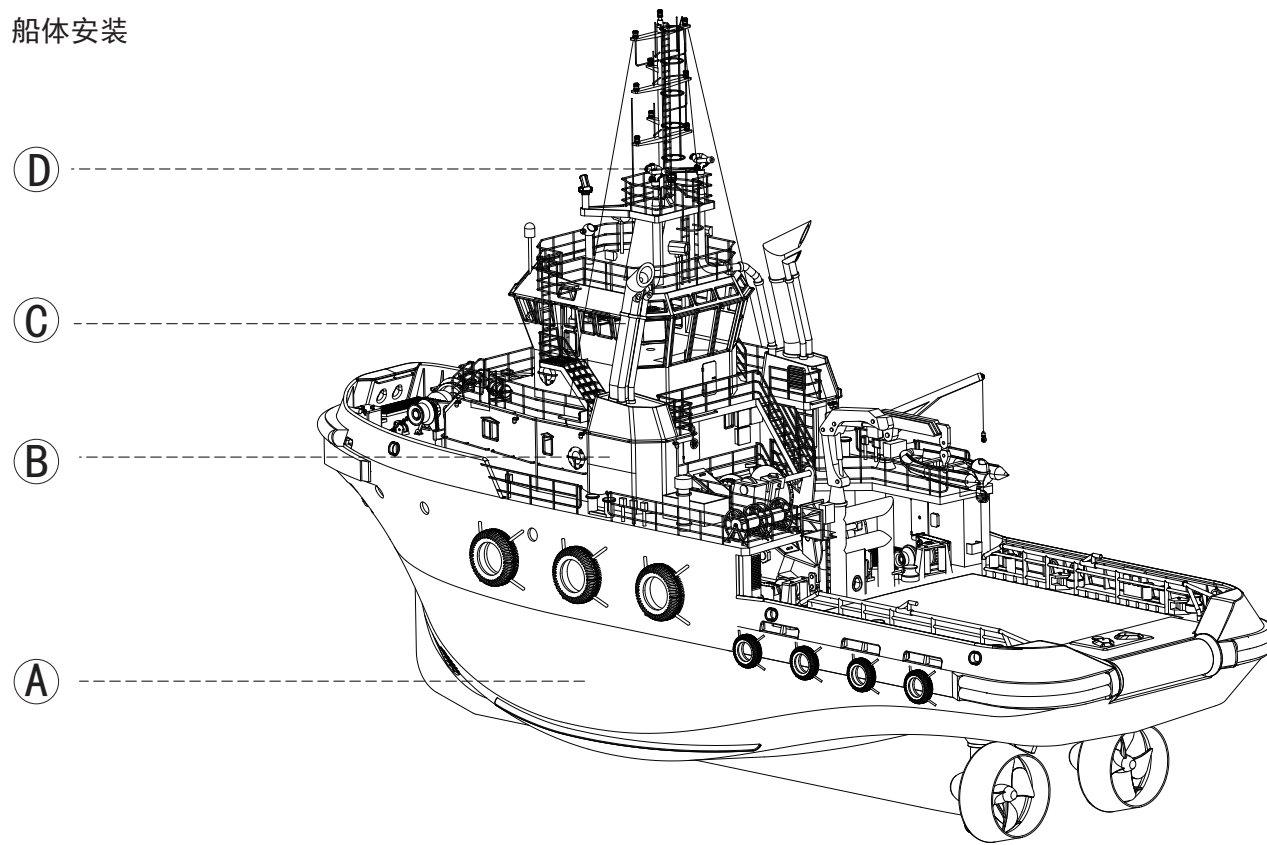
12 X6

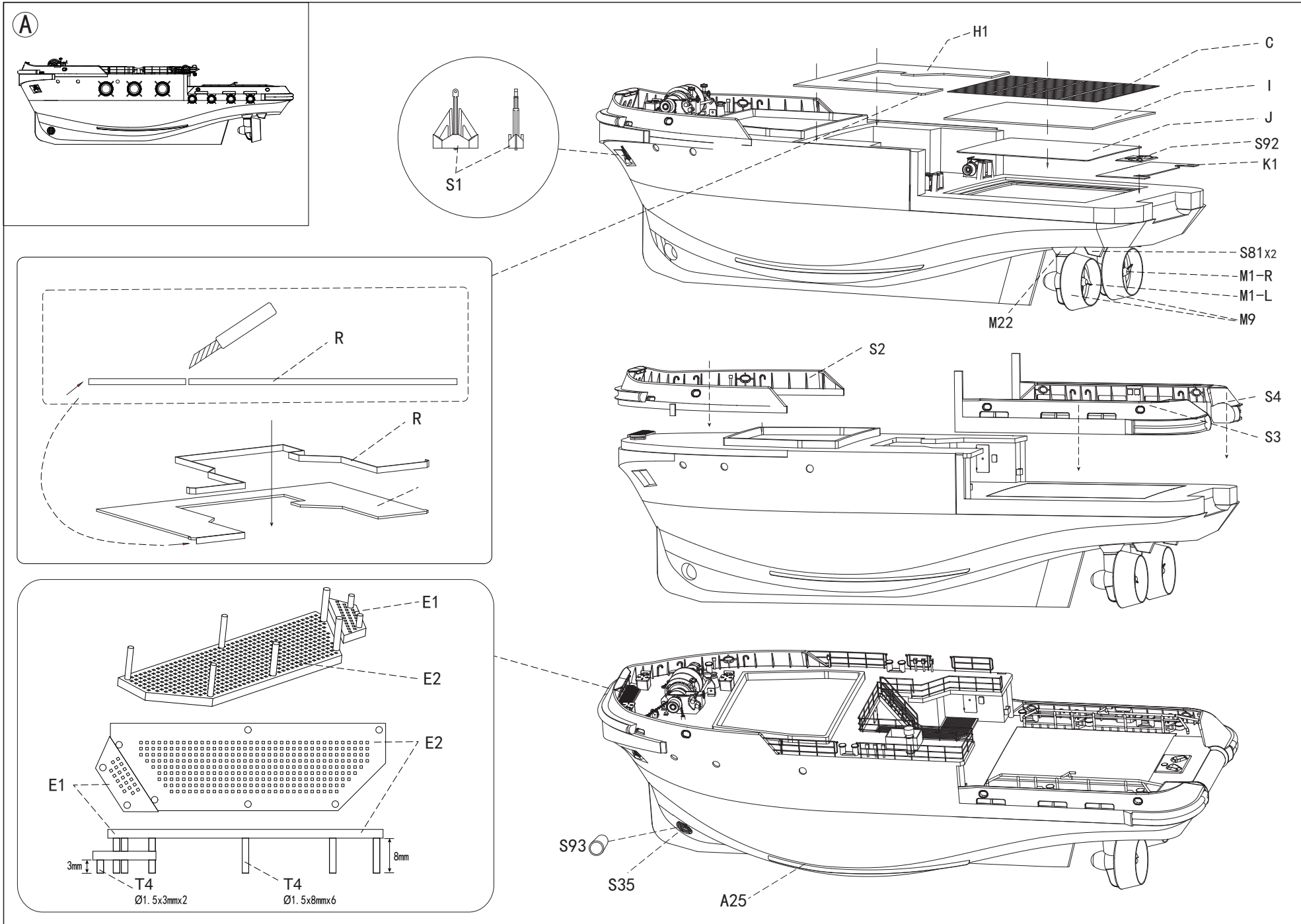


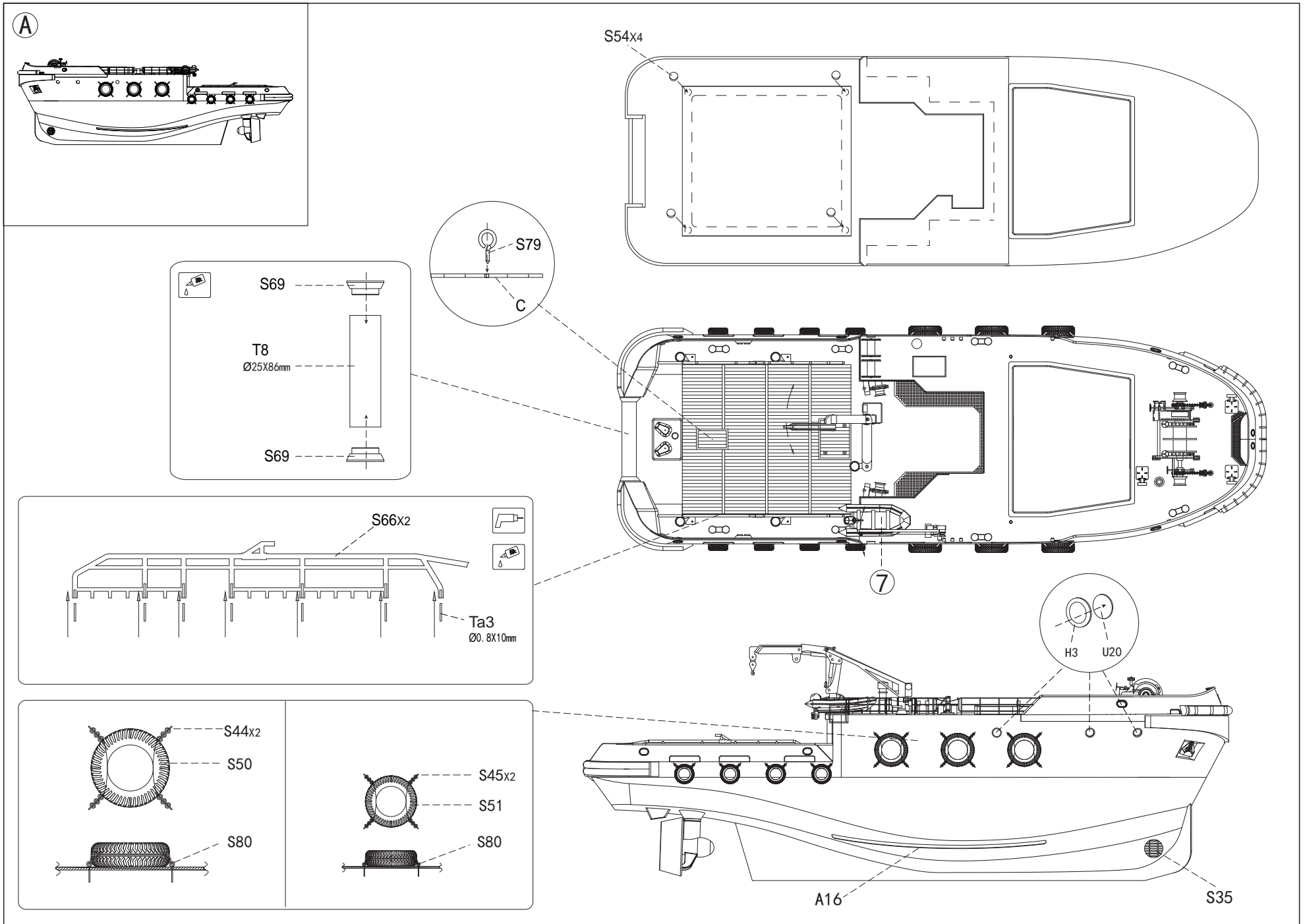
13 X2

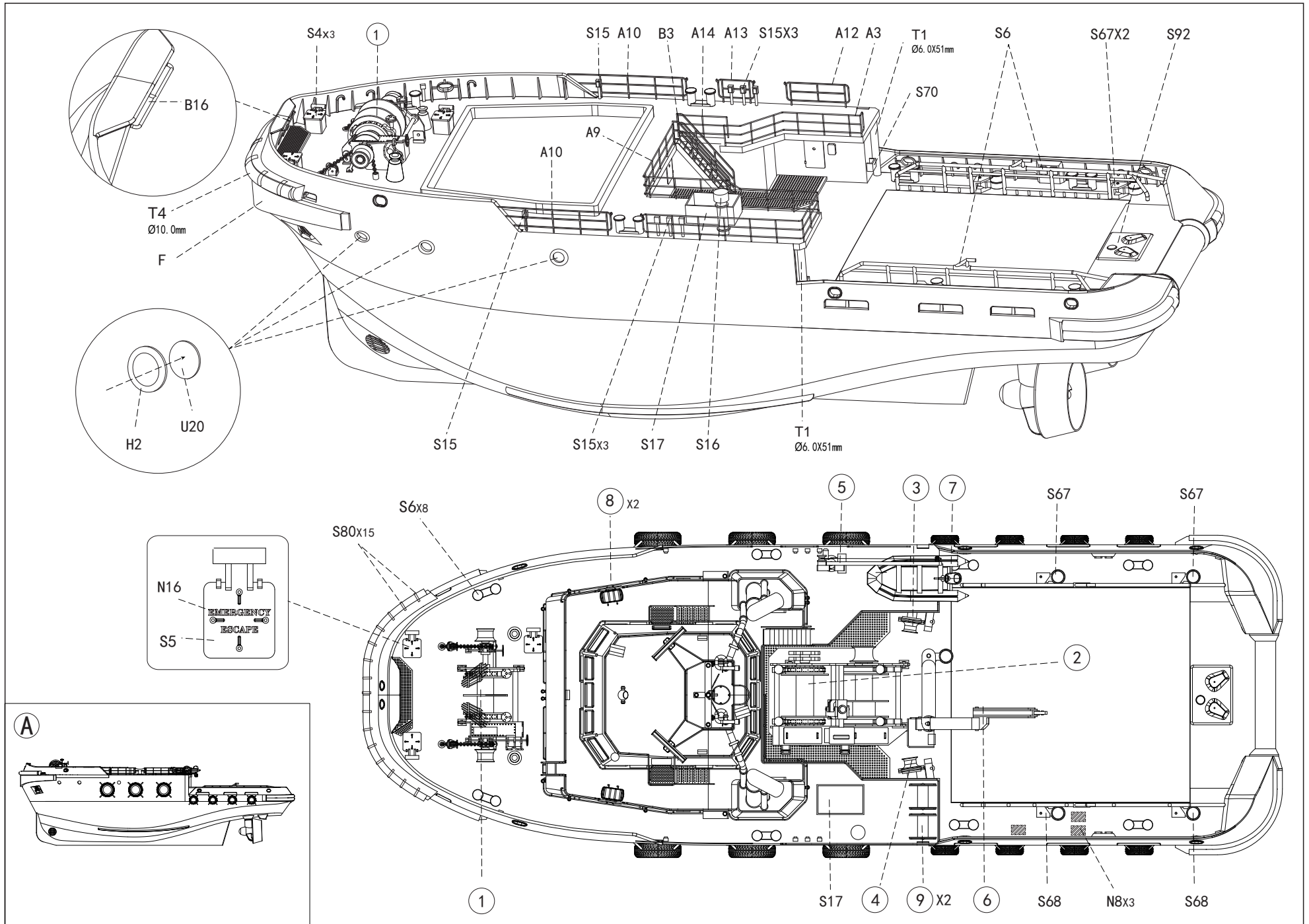


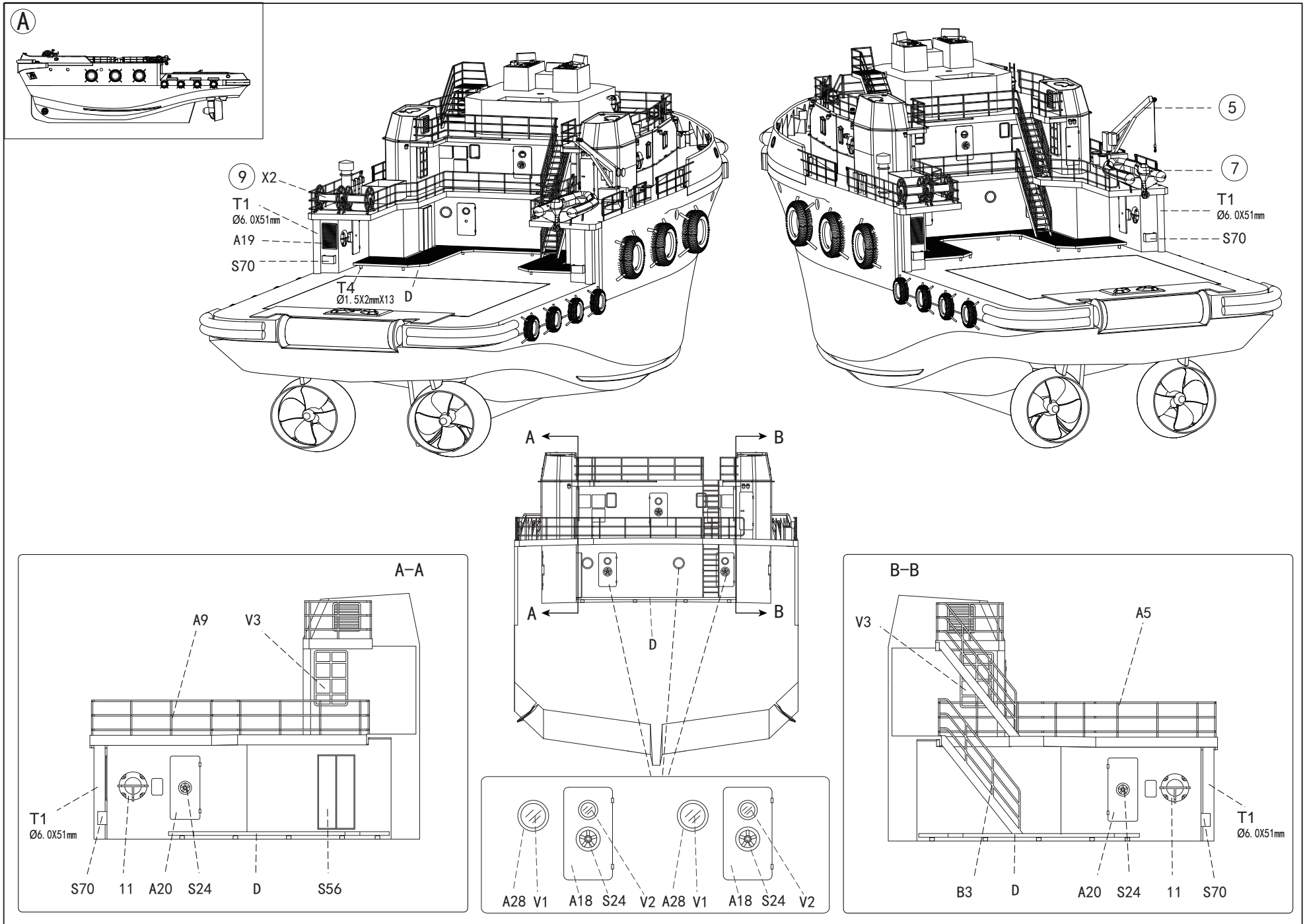
The installation of the hull 船体安装

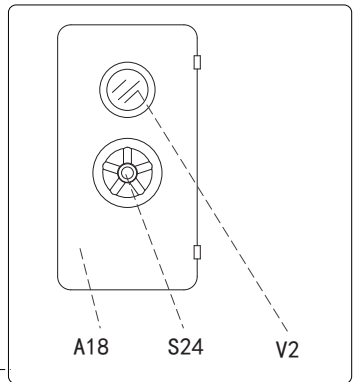
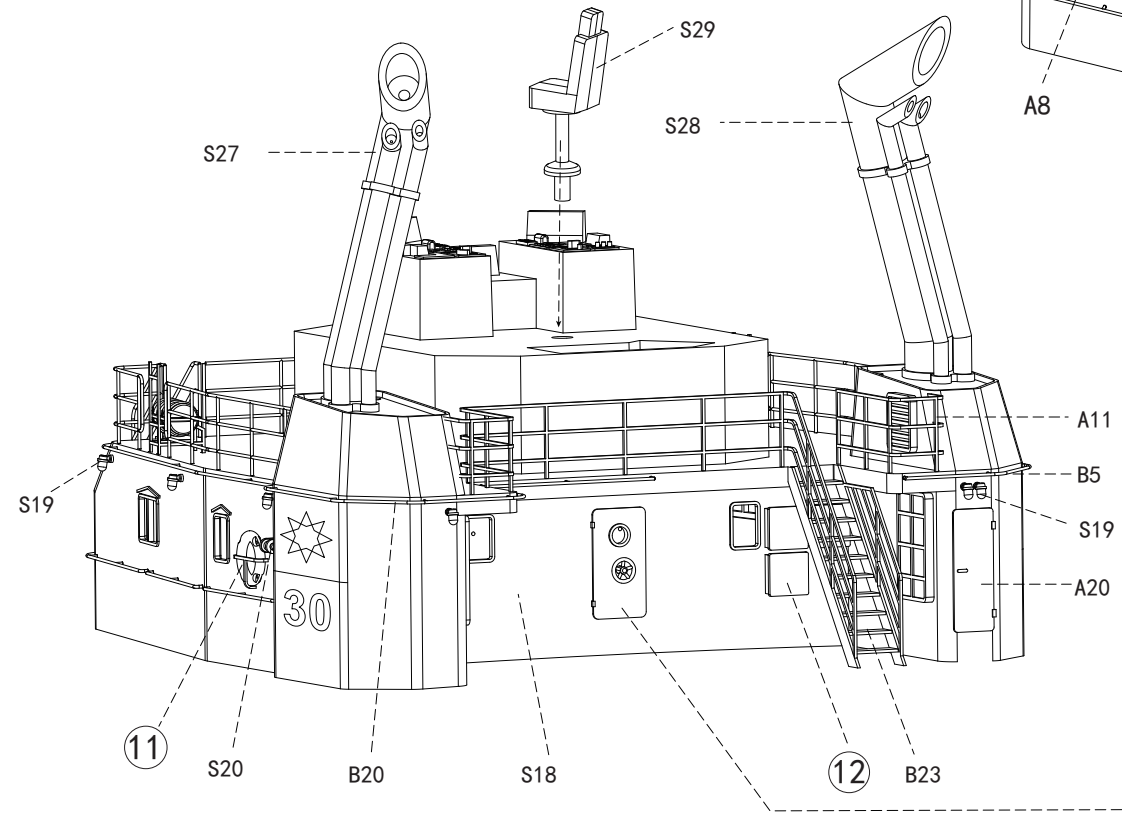
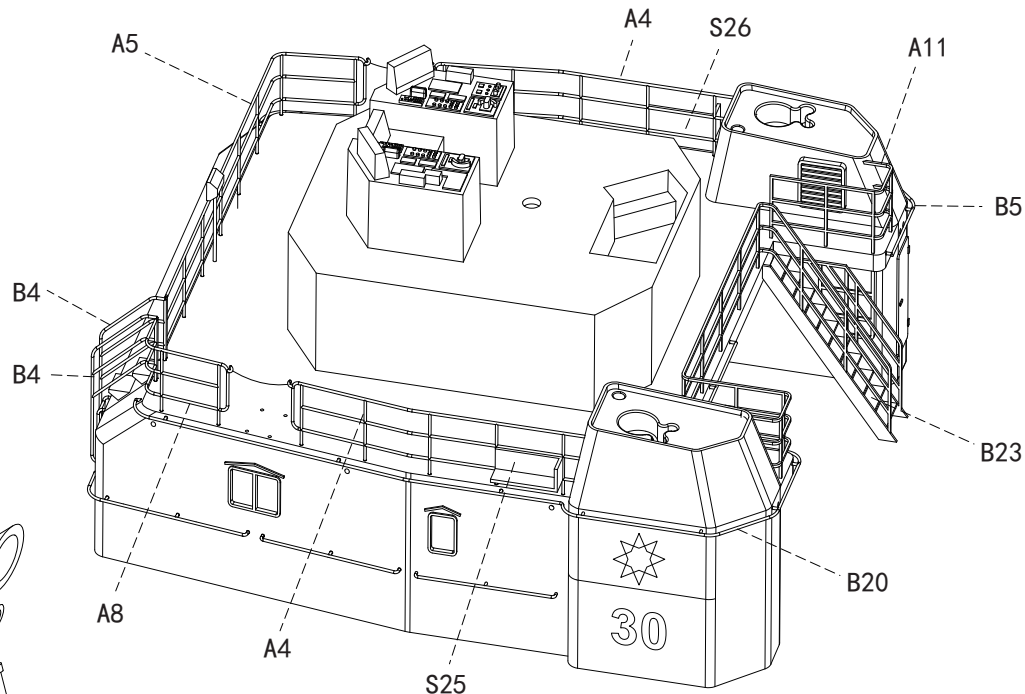
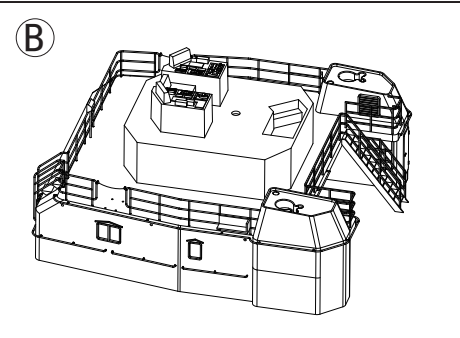


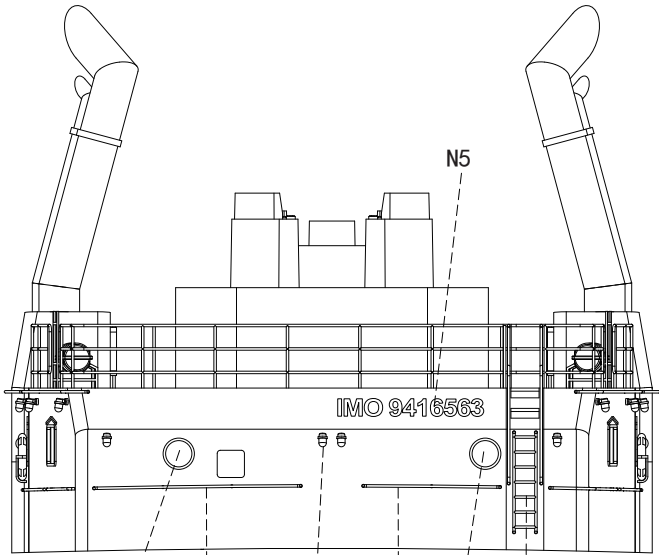
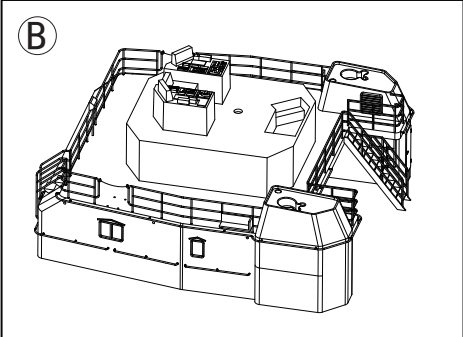




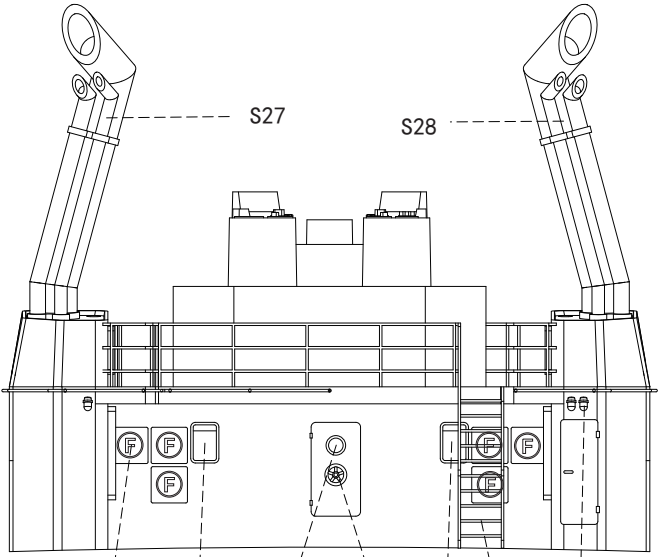




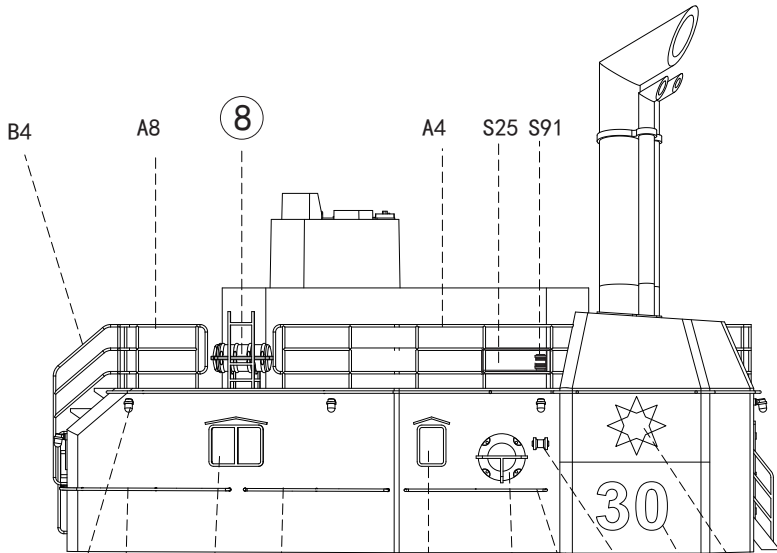




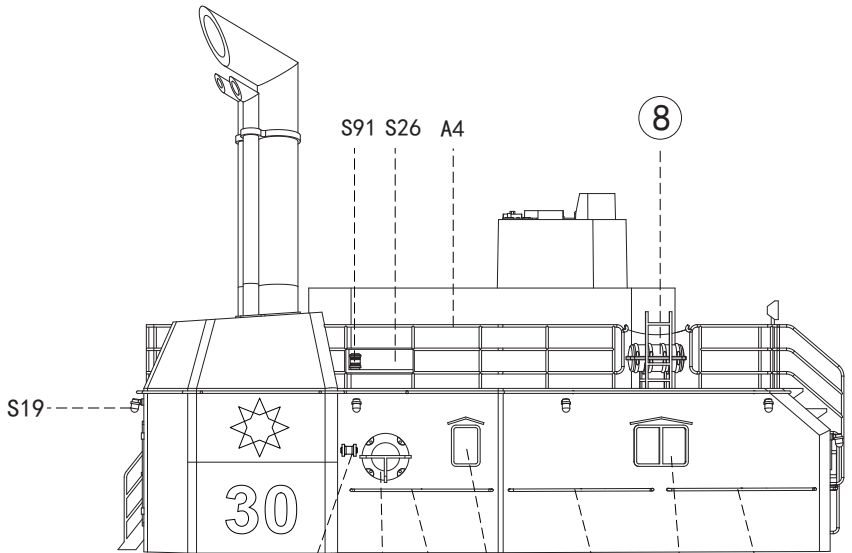
U17 B11 S19 B17 U17 B13



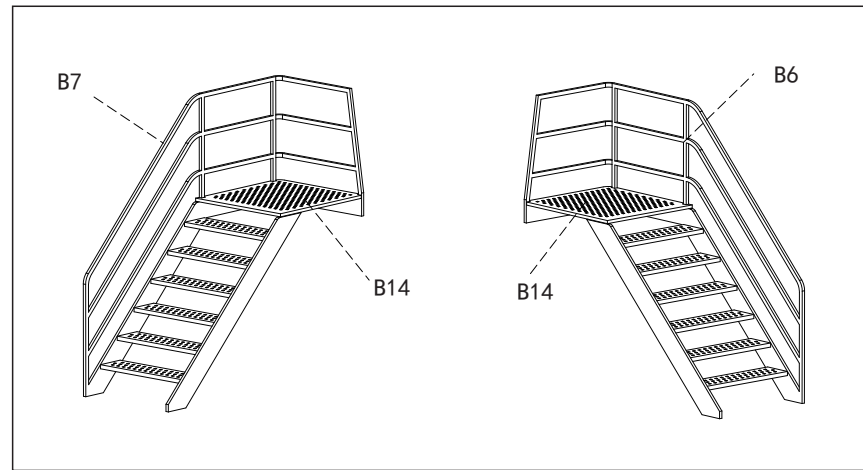
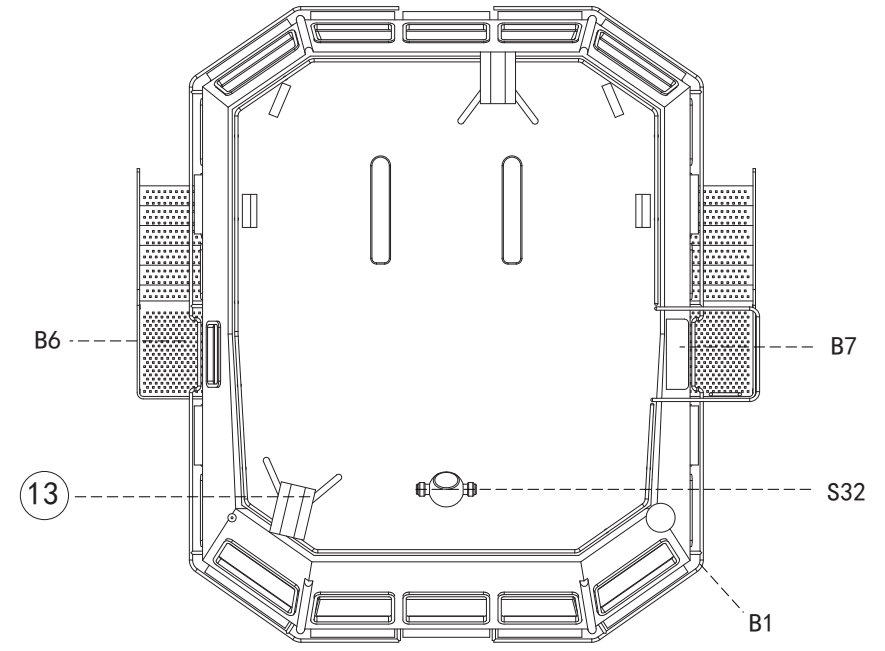
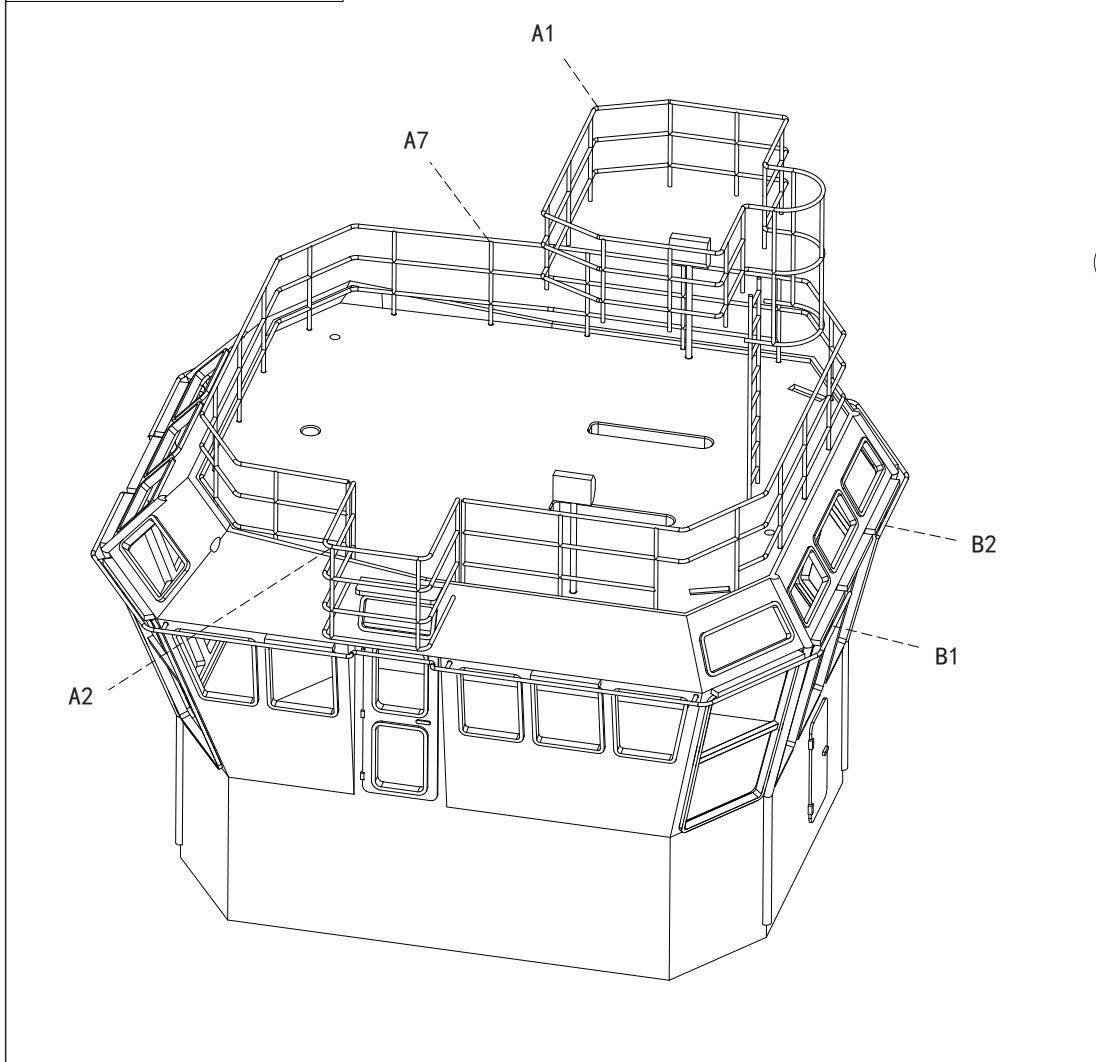
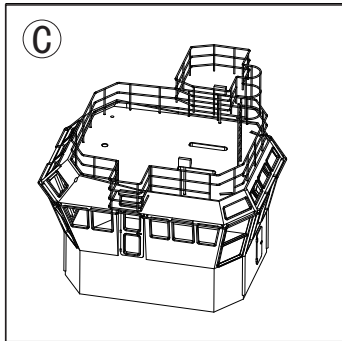
12 x6 U22 U18 S24 U22 B23 S19

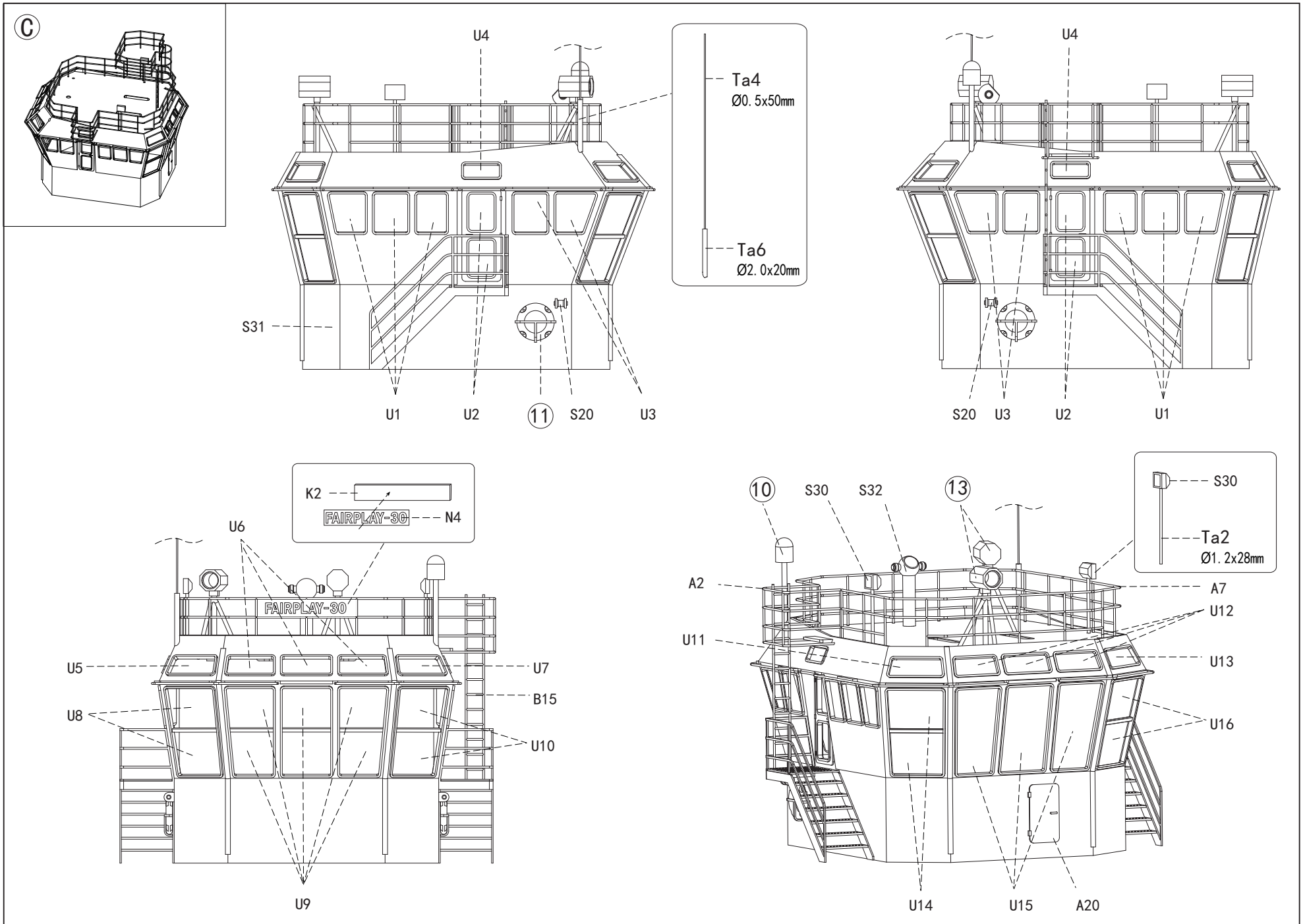


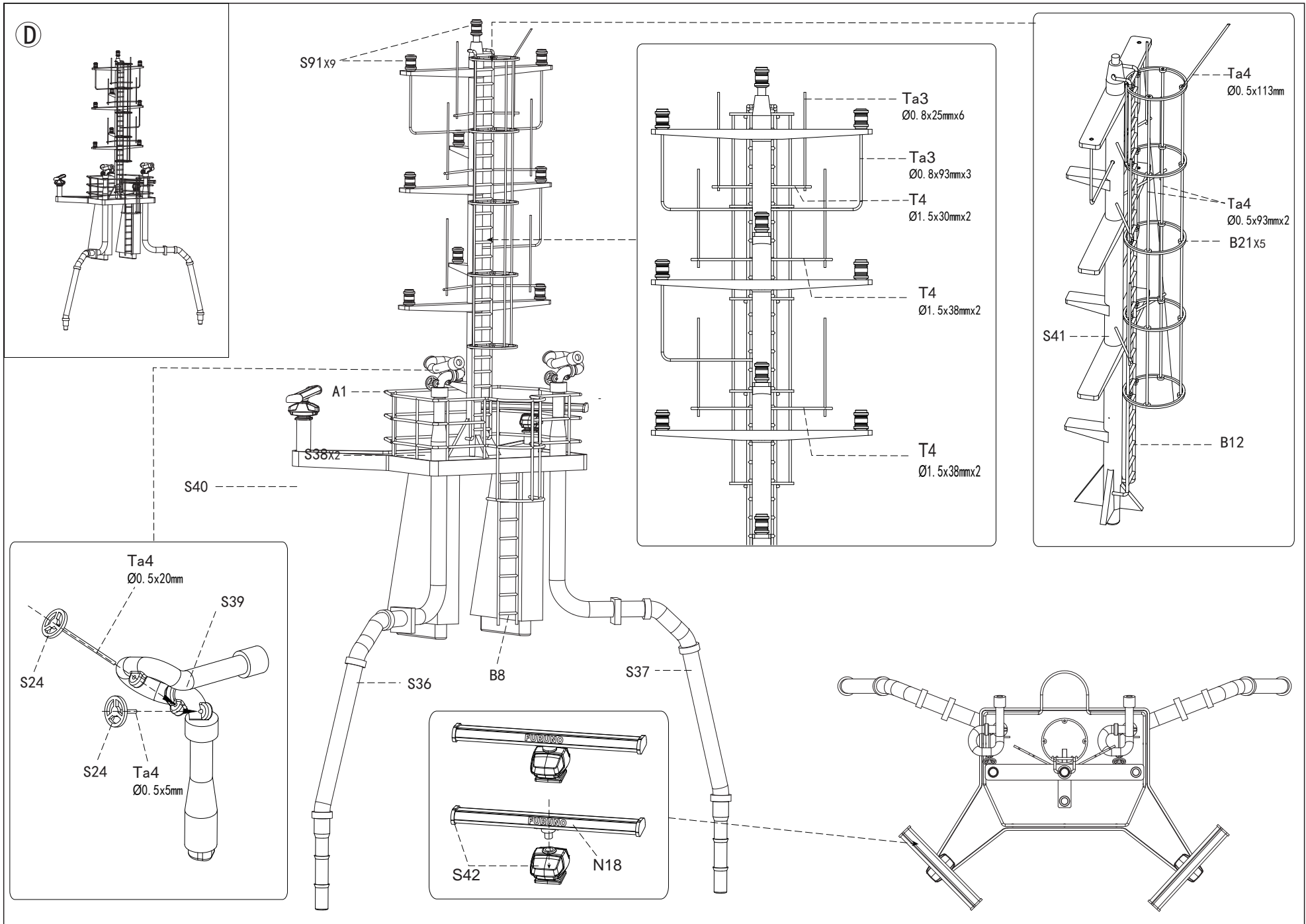
S19 B19 U21 B10 U23 11 B9 S20 N19 N7



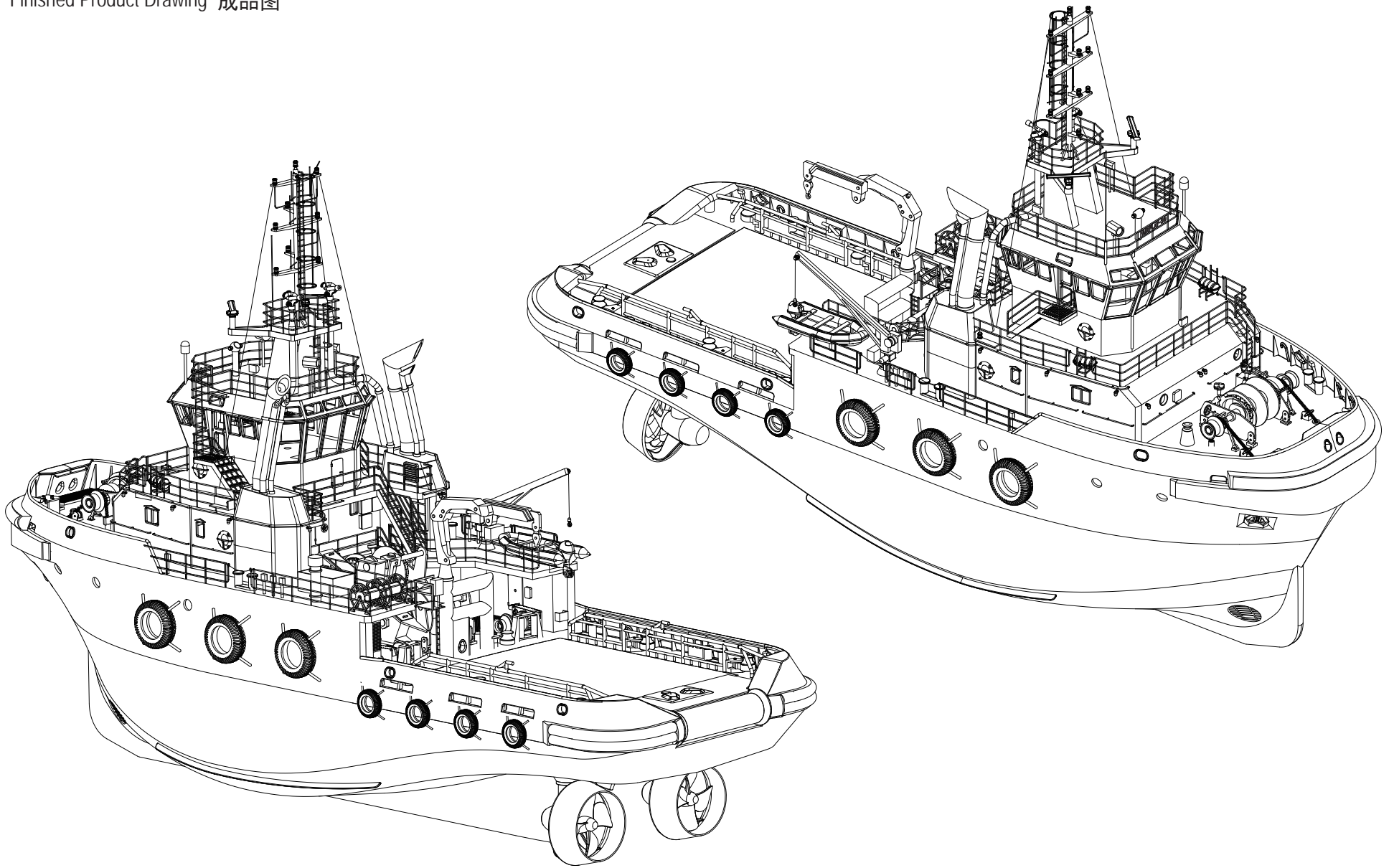
S19 S20 11 B9 U23 B10 U21 B18

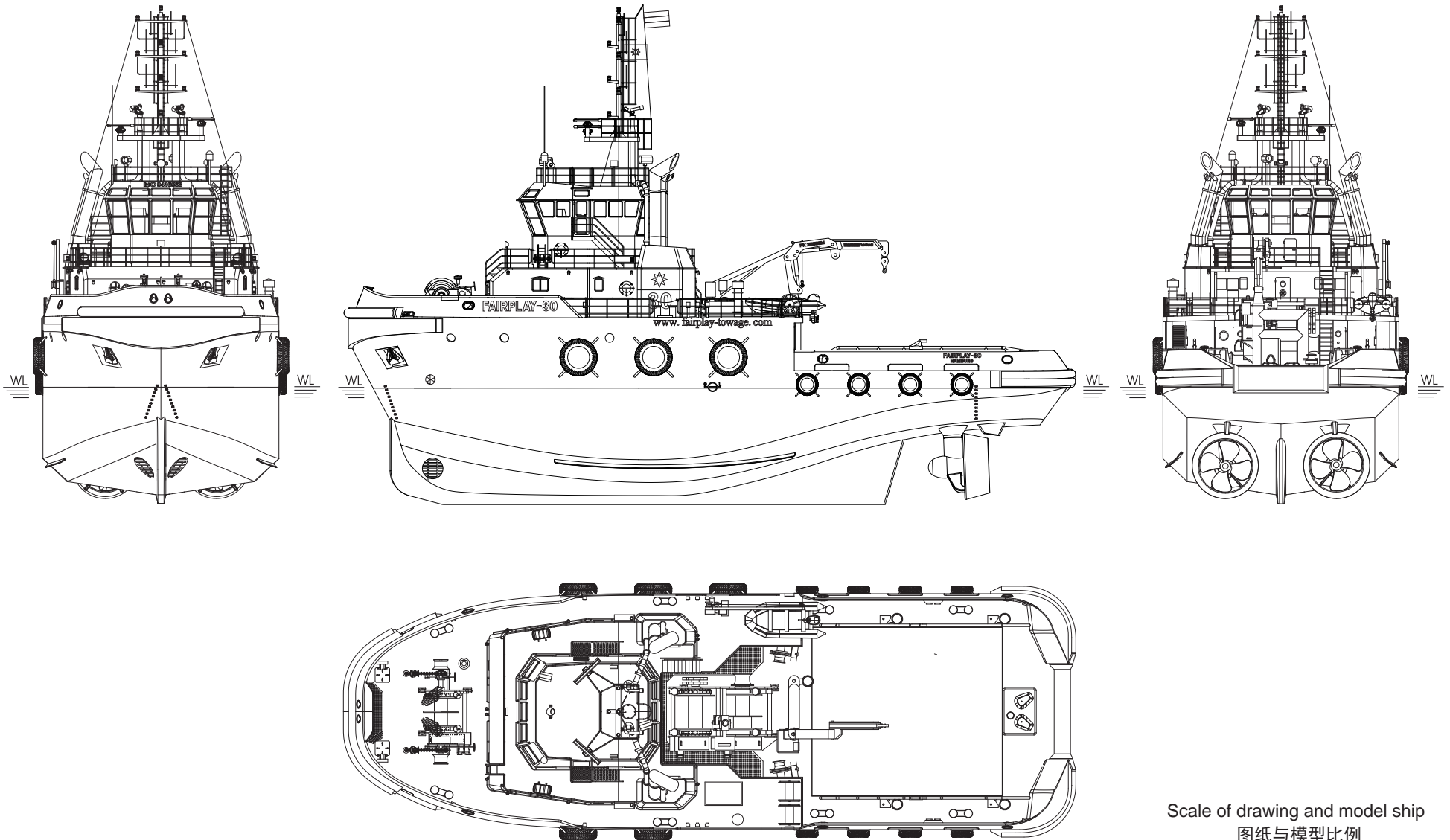






Finished Product Drawing 成品图





Scale of drawing and model ship

图纸与模型比例

1:6



**Copyright © Kymodel Hobby.
All Rights Reserved.**

The final interpretation of this product is owned by
Kymodel Hobby, and is subject to change without
notice.

本产品的最终解释权归Kymodel所有，如有变更，恕不另行通知。