



# SCHLEPPER FAIRPLAY I

1:50 SCALE RC KIT  
ITEM NO: FP201802

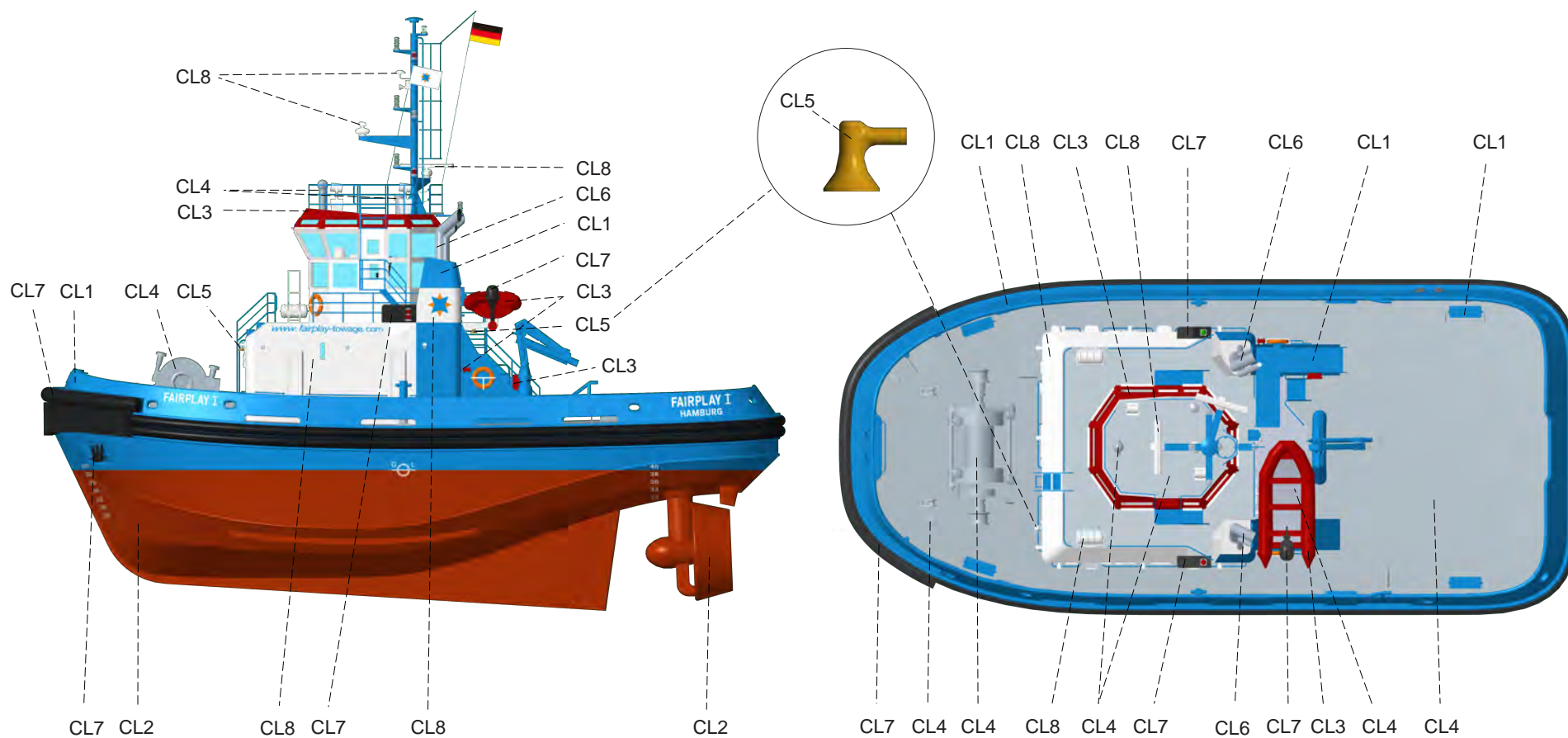
Vorbildähnliches Modell  
zur Steuerung ab  
2 Funktionen

## SPEZIFIKATION

	14+
	497mm
	226mm
	3240g



颜色 Color	船体蓝 Blue	水线红 Red	大红 Red	船甲板灰 Grey	金色 Golden	电镀银色 Silvery	黑色 Black	白色 White	白底 White
标号 Item Number	CL1	CL2	CL3	CL4	CL5	CL6	CL7	CL8	CL8
RAL 编号 RAL Code	RAL5015	RAL3013	RAL3026	RAL7001	RAL1036	RAL9006	RAL9005		



# SCHLEPPER FAIRPLAY I

## READ BEFORE ASSEMBLY:

- \* This kit is not recommended for inexperienced modelers or for children under 16 years of age.
- \* Study and understand these instructions thoroughly before beginning assembly.
- \* When needed, remove photo-etch parts carefully using a modeling knife or photo etch sprue cutter, being careful not to damage or lose small parts.
- \* Take extra care in handling photo etch parts in order to avoid injury.
- \* Apply instant cement sparingly to photo etch parts where instructed.
- \* Tools recommend(not included in kit):Plastic and instant cements, sprue cutters, long nose pliers, modeling knife, small files, tweezers, pin vise & scissors. Soft cloth and sandpaper will also assist in construction.
- \* Glue and paint are not included in the kit. Use plastic cement and hobby paints only. Color guide for purchasing paint is included in the kit.
- \* Keep out of reach of children. They must not be allowed to ingest small parts or handle plastic bags in any way.

## 装配之前仔细阅读

- \* 小心用模型锉刀锉平所有零件表面的注塑浇口。
- \* 小心用刀片切下蚀刻片零件，不要遗失小零件。
- \* 用强力快干胶水粘合蚀刻片零件和金属轴。使用过量的快干胶水可能导致可动零件被粘住，小心涂胶。
- \* 取蚀刻片时应特别注意安全，防止利边划伤手指。
- \* 某些零件表面需贴水上贴纸，请在装配时同时进行。
- \* 推荐模型工具（自备）：胶水，水口剪刀，长咀钳，刀片，锉刀，镊子，钳，钻，剪刀，瞬间快干胶，软布和砂纸。
- \* 请使用塑料胶水和油漆，模型内不含。
- \* 谨防小孩吸吮塑料零件，或者将塑料袋套在头上，制作时应将套材远离小孩。
- \* 本产品不适合没有经验的模型爱好者以及16岁以下的儿童。







## DECAL APPLICATION

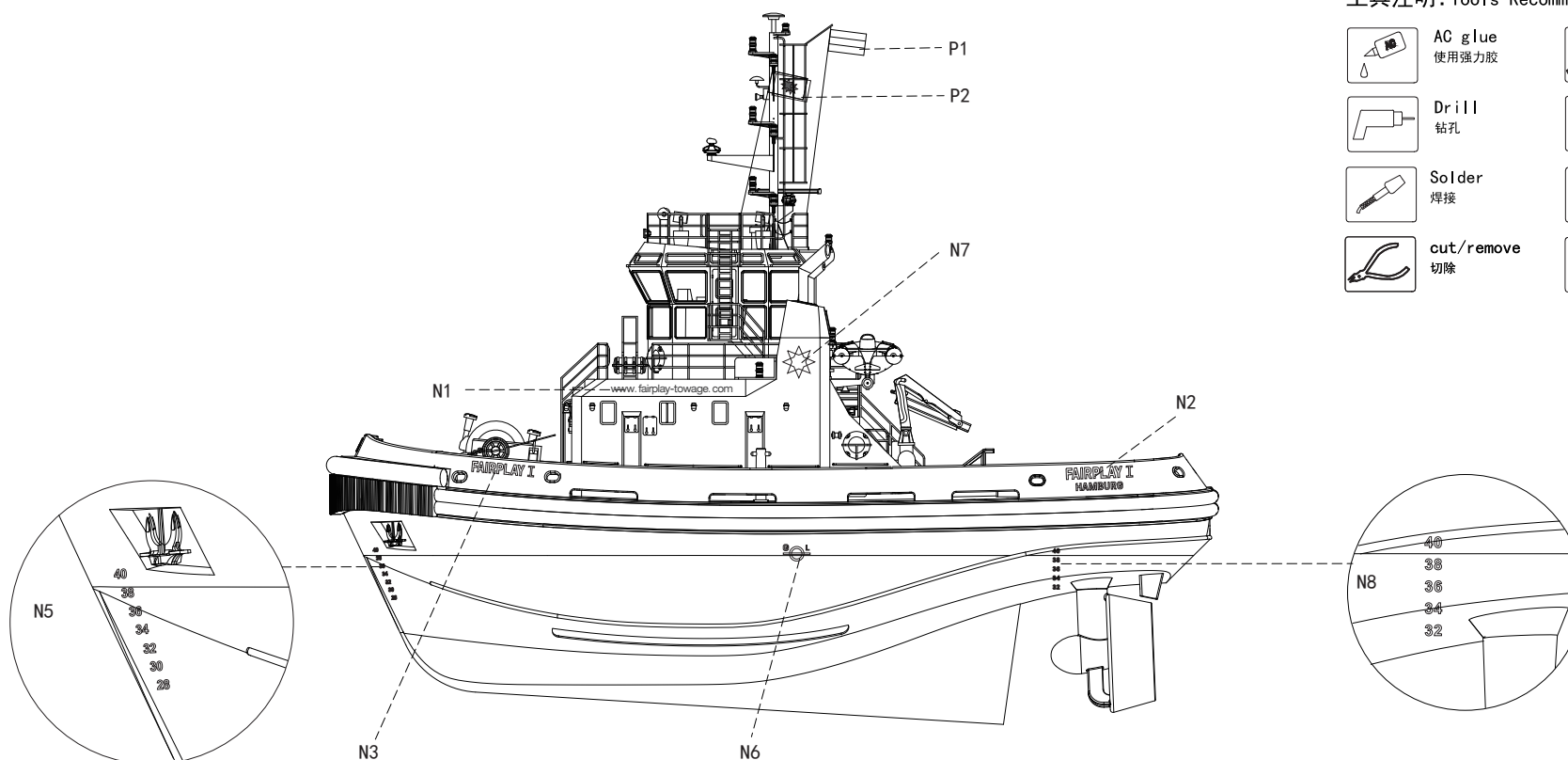
1. Cut decals from Sheet as needed
2. Dip the decal in warm water for about 10 seconds and then place on soft clean cloth
3. Hold the decal backing sheet edge and gently slide the decal onto the model in its proper position.
4. While still wet, decal can be adjusted for better fit on model by dampening it gently with your finger
5. When placed in the proper position, gently press decal down with a soft cloth until excess water and air bubbles are gone.
6. Allow decal to dry completely before handling model.

## 贴纸的使用:

1. 从水贴纸上剪下印花;
2. 将印花放入温水中浸10秒，然后放在干净布上。
3. 拿着印花纸边缘将印花移到模型上;
4. 手指蘸水将印花移到适当的位置;
5. 用软布轻压印花直至水干，气泡消失;
6. 待印花纸完全干燥后再使用船模。

## 工具注明: Tools Recommendation:

	AC glue 使用强力胶		file/sand 锉平
	Drill 钻孔		bend 弯曲
	Solder 焊接		decal 贴纸
	cut/remove 切除		Ballast 配重



Parts 部件

S1 X2	S2 X1	S3 X2	S4 X1 此件已装在船体上 Already installed in the hull.	S5 X1 此件已装在船体上 Already installed in the hull.	S6 X1 此件已装在船体上 Already installed in the hull.	S7 X1 此件已装在船体上 Already installed in the hull.	S8 X4	S9 X2	S10 X3	S11 X2	S12 X2	S13 X3	S14 X4	S15 X2
S16 X1	S17 X1	S18 X1	S19 X2	S20 X1	S21 X1	S22 X1	S23 X1	S24 X2	S25 X7	S26 X5	S27 X1	S28 X1	S29 X1	S30 X2
S31 X1	S32 X1	S33 X1	S34 X1	S35 X1	S36 X15	S37 X1	S38 X1	S39 X4	S40 X2	S41 X1	S42 X1	S43 X3	S44 X1	S45 X1
S46 X1	S47 X1	S48 X1 橡胶块	S49 X4	S50 X1 布纹胶带	S51 X1 Yellow line Ø0.3X1m 黄线	S52 X1 White line Ø0.2X1m 白线	S53 X1 White line Ø1.5X1m 白粗线	S54 X1 PV管 Ø20.0X28mm						

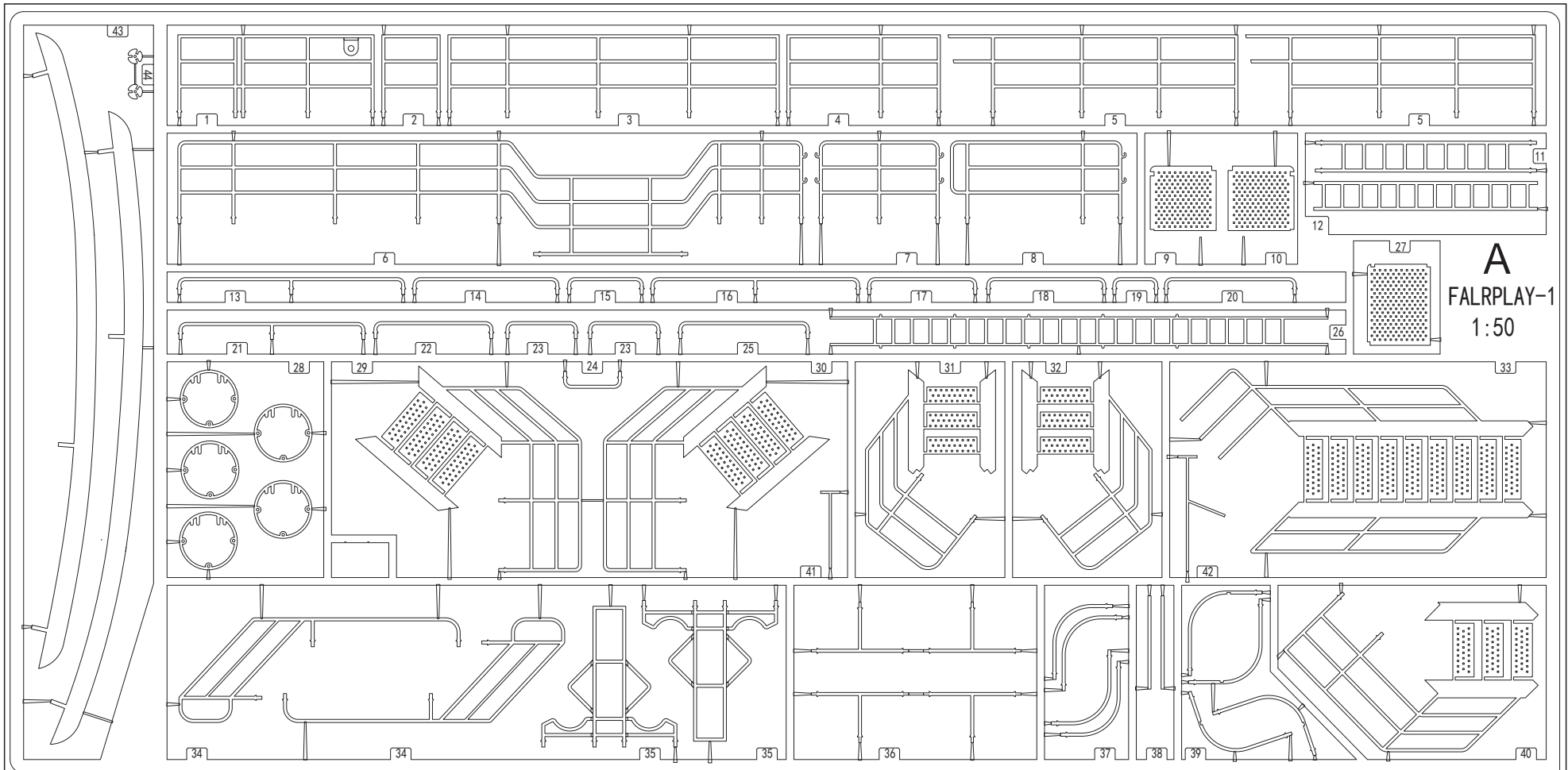
M Driving Parts(Bag Pack) 动力部件

M1 X2 L R	M2 X22 3X3mm	M3 X2	M4 X8	M5 X2	M6 X2	M7 X4	M8 X4
M9 X2	M10 X2	M11 X2	M12 X2	M13 X2	M14 X2	M15 X8	M16 X1
M17 X2	M18 X1	M19 X2	M20 X1	M21 X1	M22 X1 L	M23 X1 R	
M24 X2	M25 X2	M26 X1	M27 X4	M28 X1			

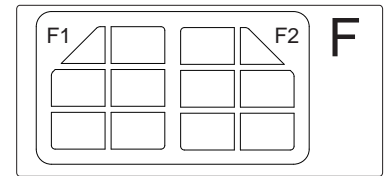
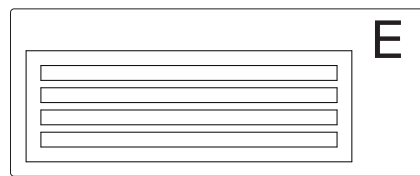
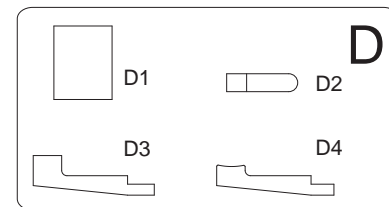
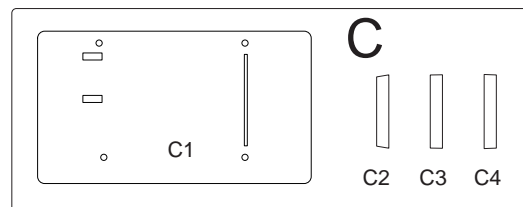
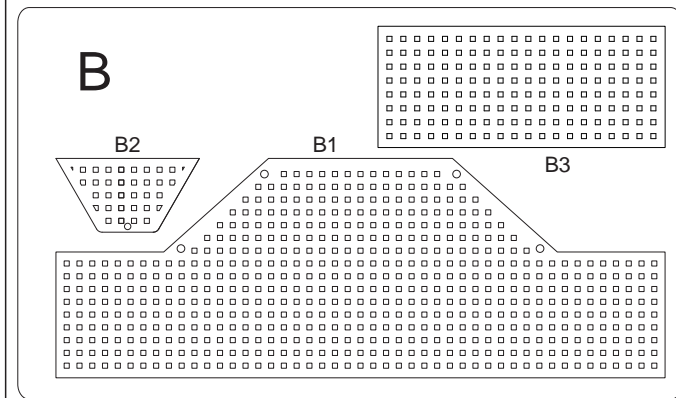
Number (编号)	Specifications (规格)	quantity (数量)	
T1	Ø3.0X100mm ABS Tube (ABS管)	1	
T2	Ø3.0X250mm ABS Rod (ABS棒)	2	
T3	Ø1.0X100mm ABS Rod (ABS棒)	1	
T4	Ø10.0X250mm (橡胶圆条)	1	
T5	Ø7.0X2300mm (橡胶圆条)	1	

Number (编号)	Specifications (规格)	quantity (数量)	
Ta1	Ø1.5X20mm Brass Rod (铜棒)	1	
Ta2	Ø1.2X140mm Brass Rod (铜棒)	1	
Ta3	Ø0.8X200mm Brass Rod (铜棒)	1	
Ta4	Ø0.5X400mm Steel Rod (钢棒)	1	





**A**  
FALRPLAY-1  
1:50



www.fairplay-towage.com N1

www.fairplay-towage.com N1

FAIRPLAY I HAMBURG N2

FAIRPLAY I HAMBURG N2

FAIRPLAY I N3

FAIRPLAY I N3

IMO 9365128 N4

IMO 9365128 N4

40 38 36 34 32 28 N5

40 38 36 34 32 28 N5

40 38 36 34 32 28 N8

40 38 36 34 32 28 N8

G L N6

G L N6

F N9

F N9

F N9

F N9

F N9

F N9

FURUNO N10

FURUNO N10

FURUNO N10

FURUNO N10

EMERGENCY ESCAPE N11

EMERGENCY ESCAPE N11

EMERGENCY ESCAPE N11

EMERGENCY ESCAPE N11

EMERGENCY ESCAPE N11

EMERGENCY ESCAPE N11

EMERGENCY ESCAPE N11

EMERGENCY ESCAPE N11

N12

N12

N12

N12

N

DZ

DZ1

DZ2

DZ3

U1

U2

U4

U6

U4

U2

U1

U3

U5

U7

U5

U3

U8

U10

U12

U10

U8

U22

U9

U11

U13

U11

U9

U14

U15

U22

U16

U17

U18

U19

U20

U21

U22

U22

U23

U

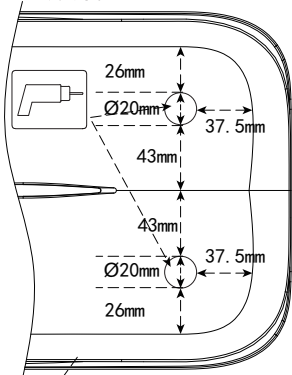
P1

P2

P

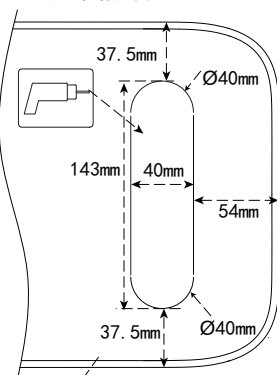
Power system Assembly 动力安装图

Trepanning at the hull bottom  
船底开孔

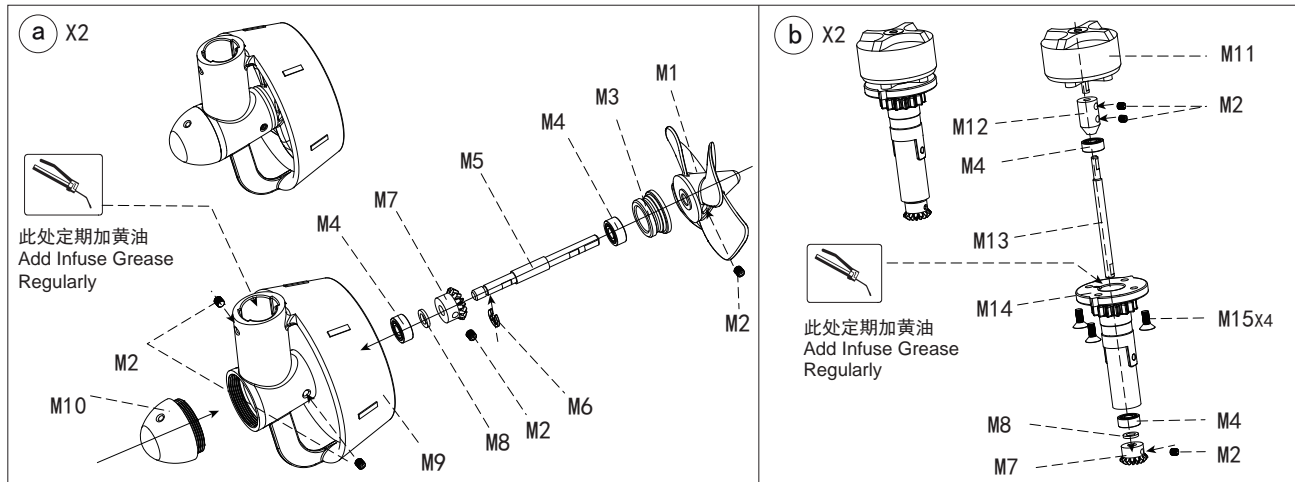


船底部 The bottom of stern

Trepanning on the stern deck  
船尾甲板开孔

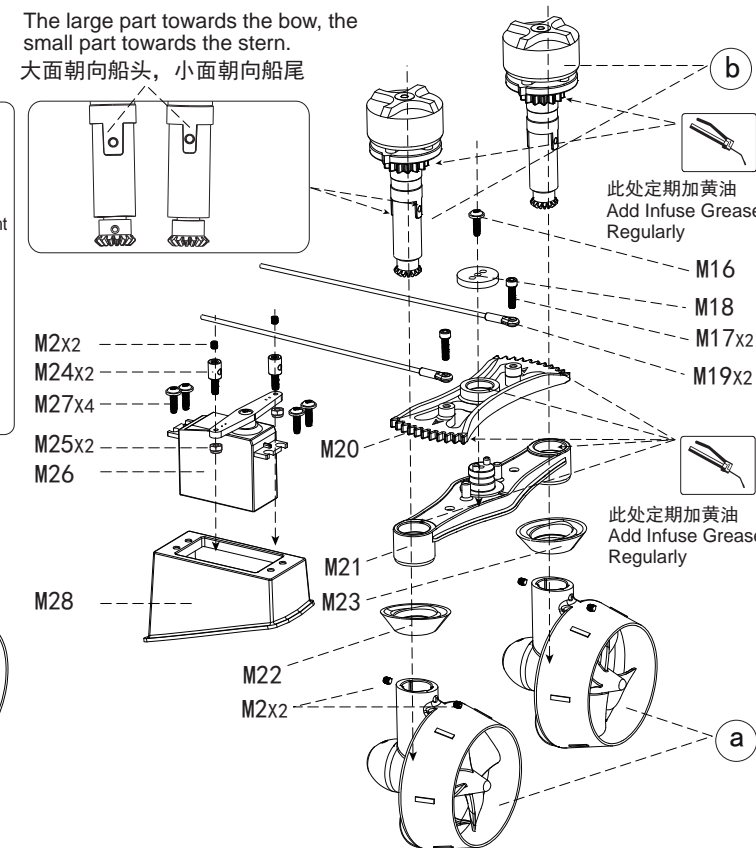
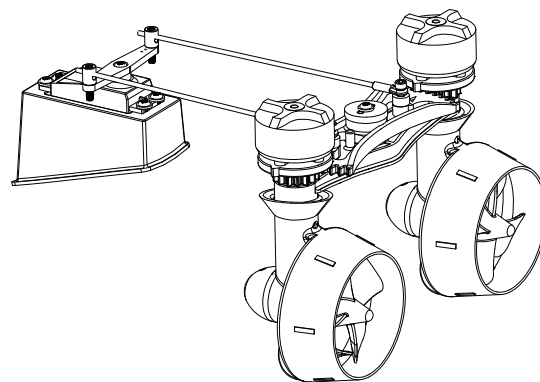
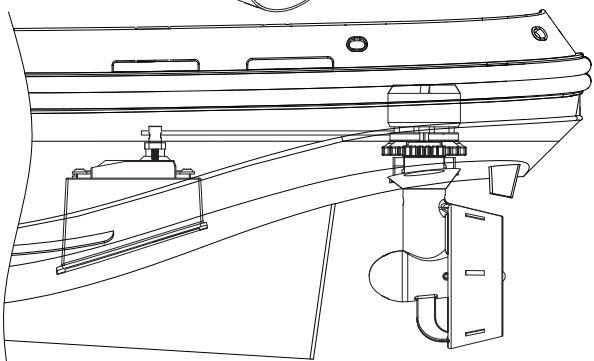
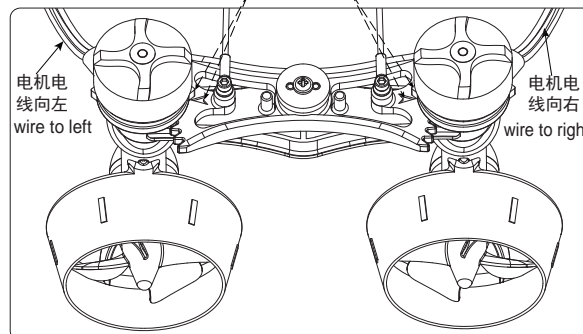
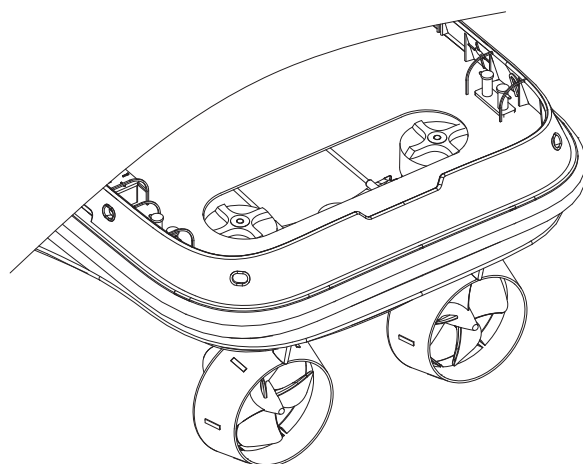


船尾甲板 Stern deck

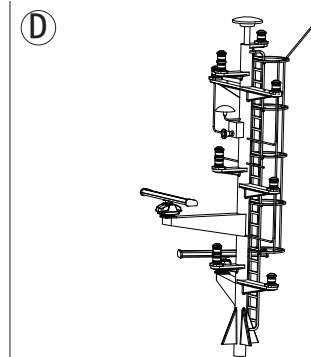
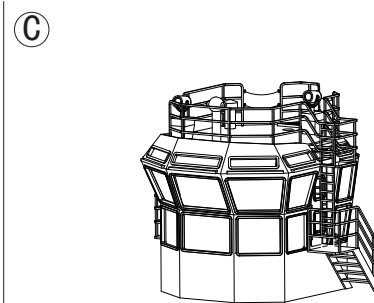
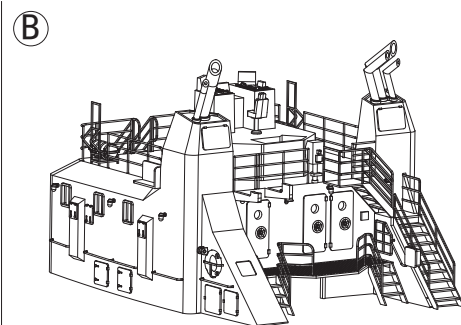
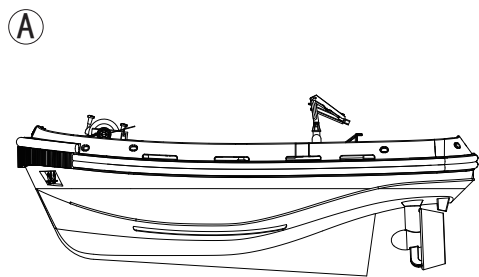
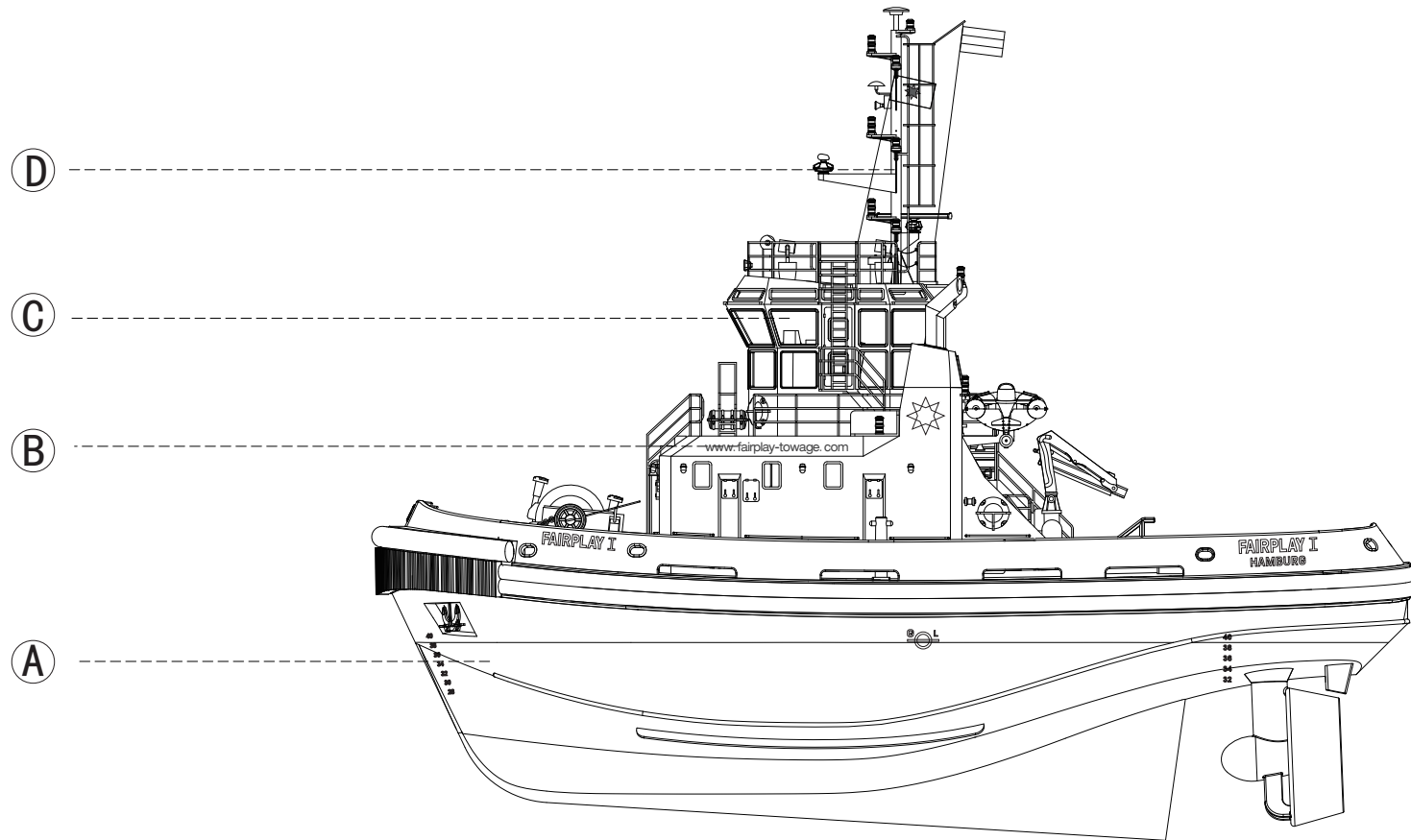


please pay attention when installing: align center these two triangle markings.  
安装时注意：这两个地方的三角标识要居中对齐。

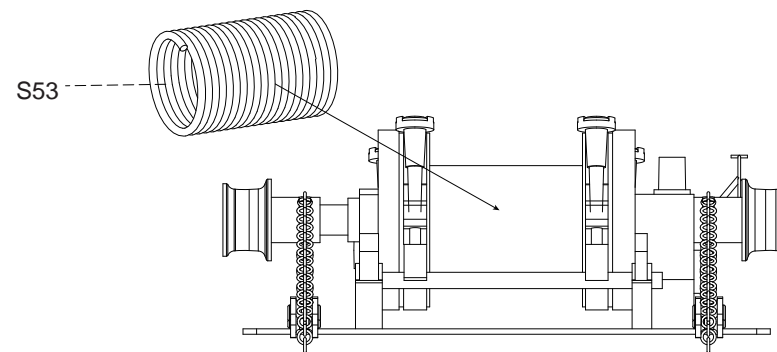
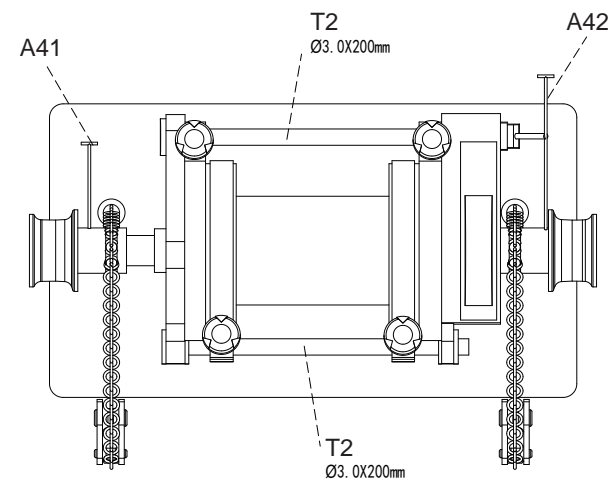
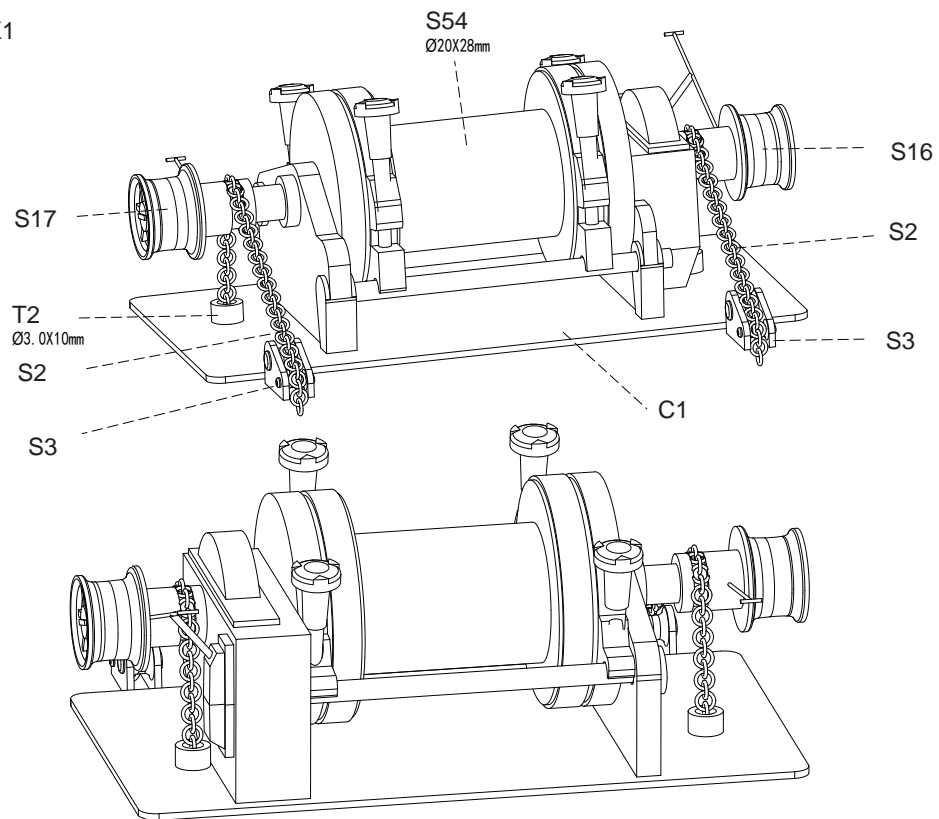
The large part towards the bow, the small part towards the stern.  
大面朝向船头，小面朝向船尾



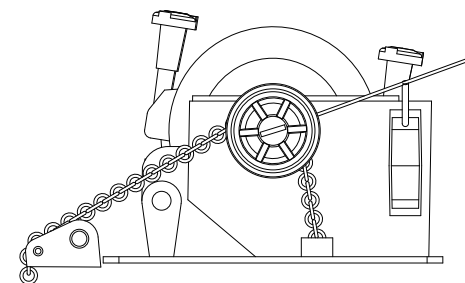
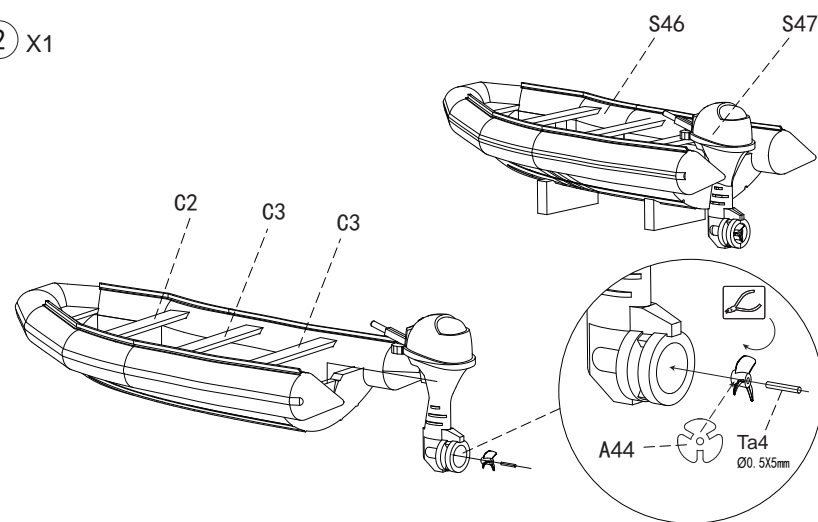
The installation of the hull 船体安装



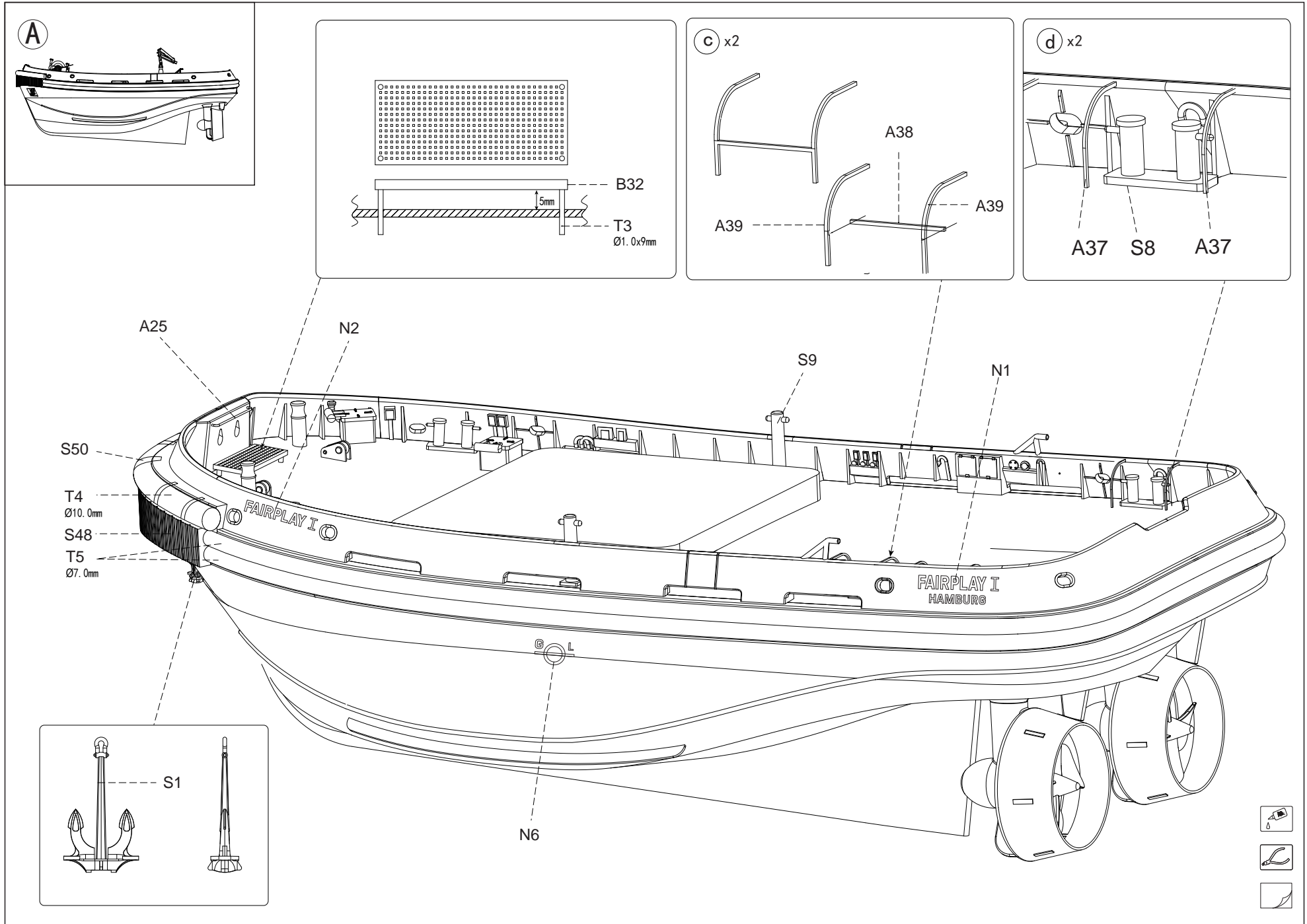
① X1

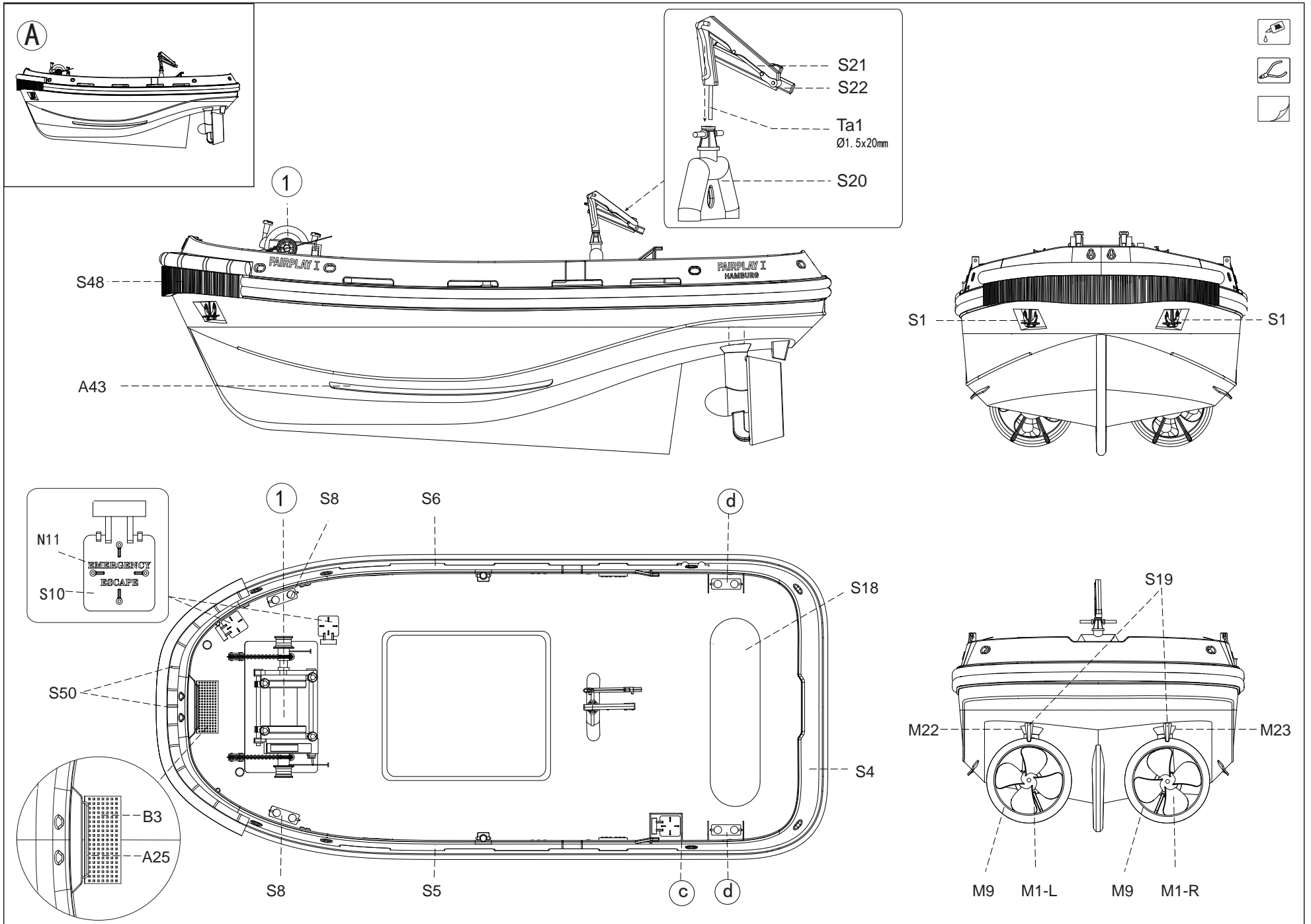


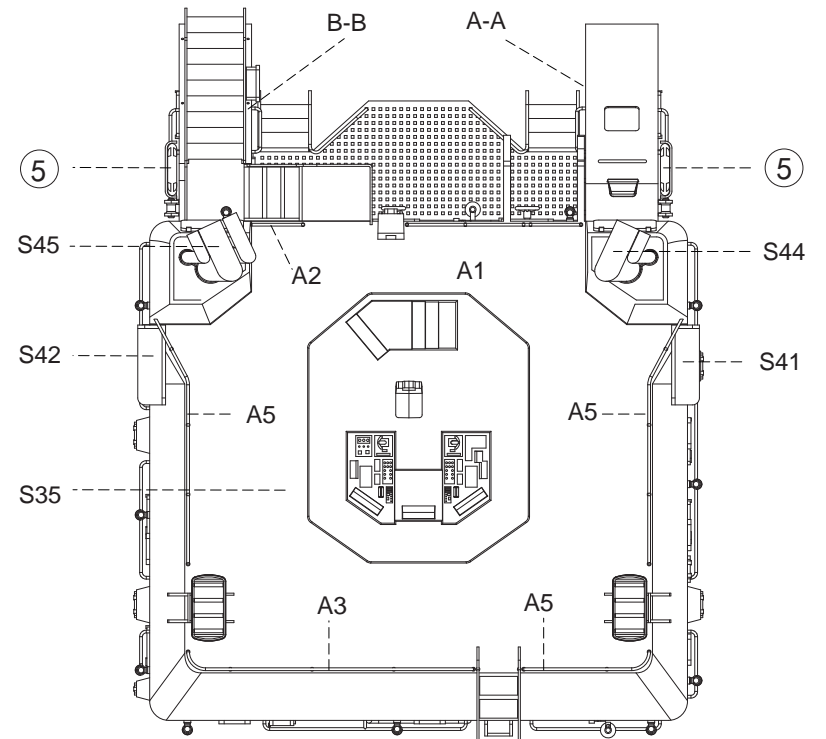
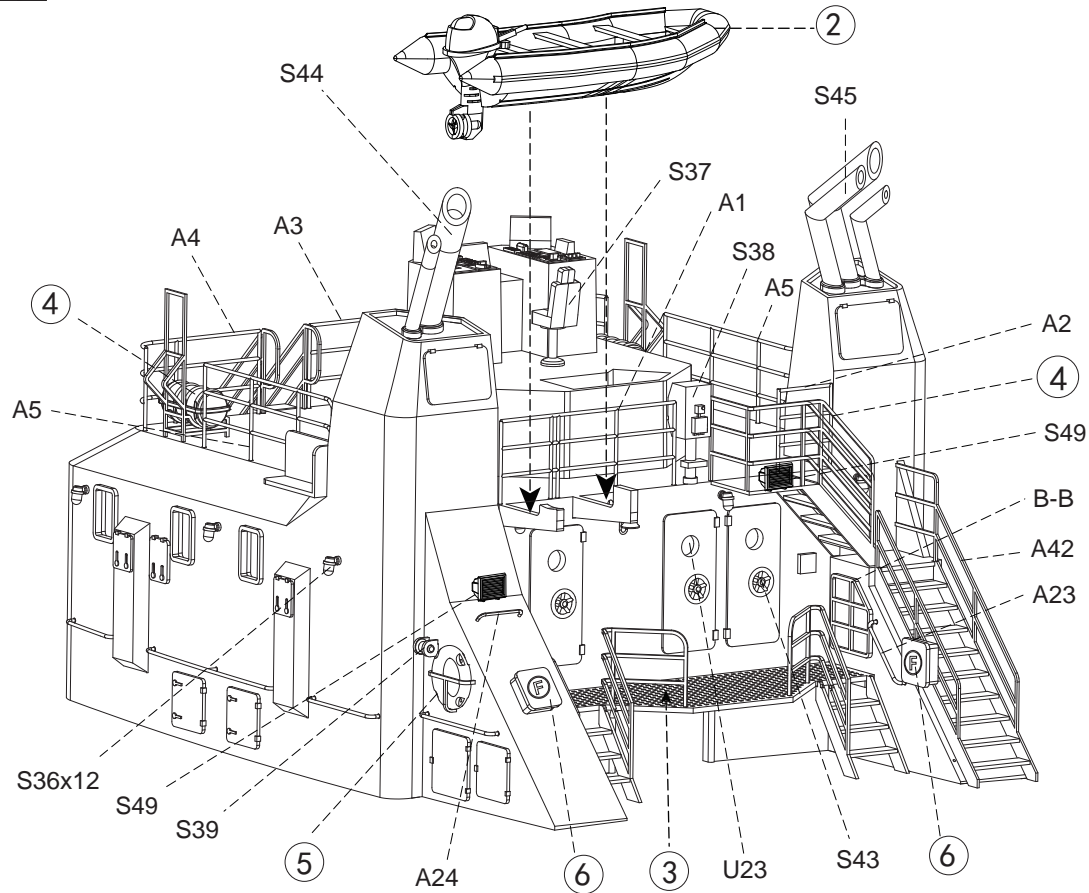
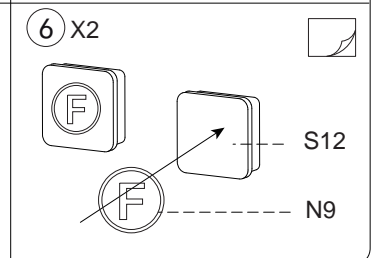
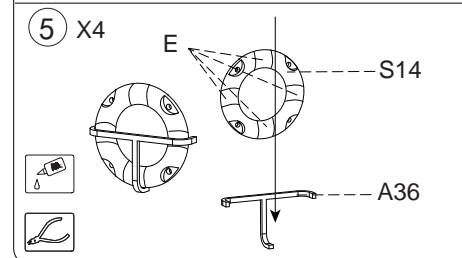
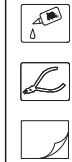
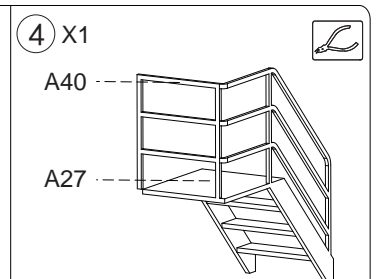
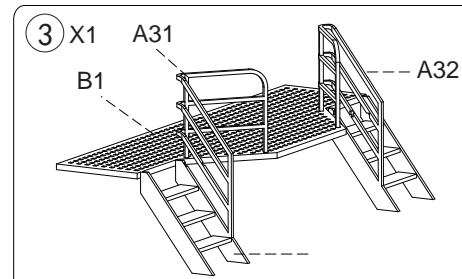
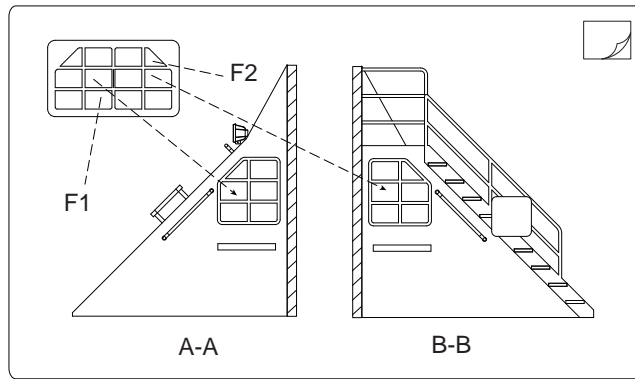
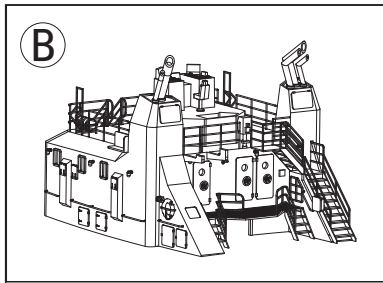
② X1

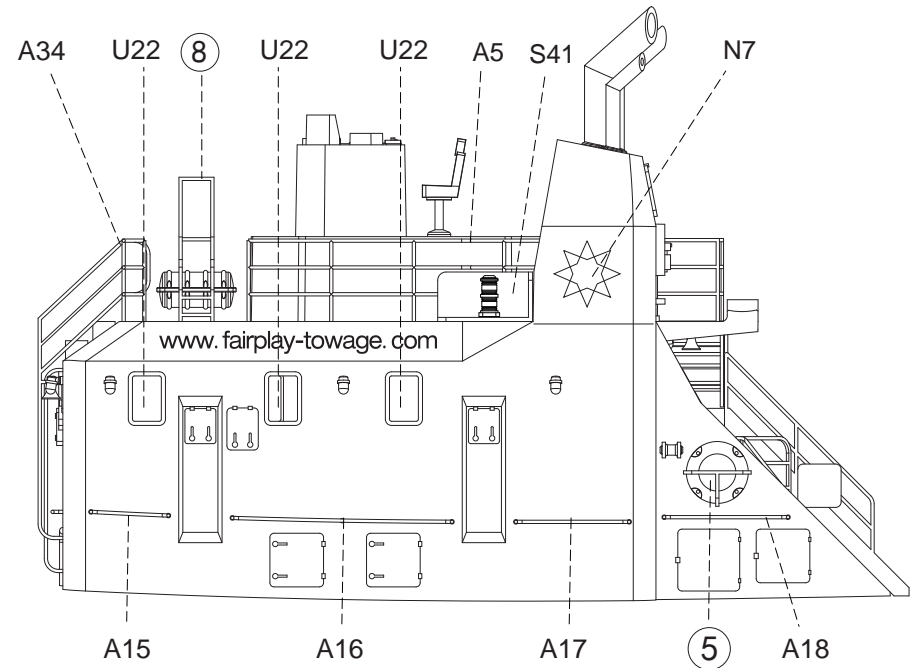
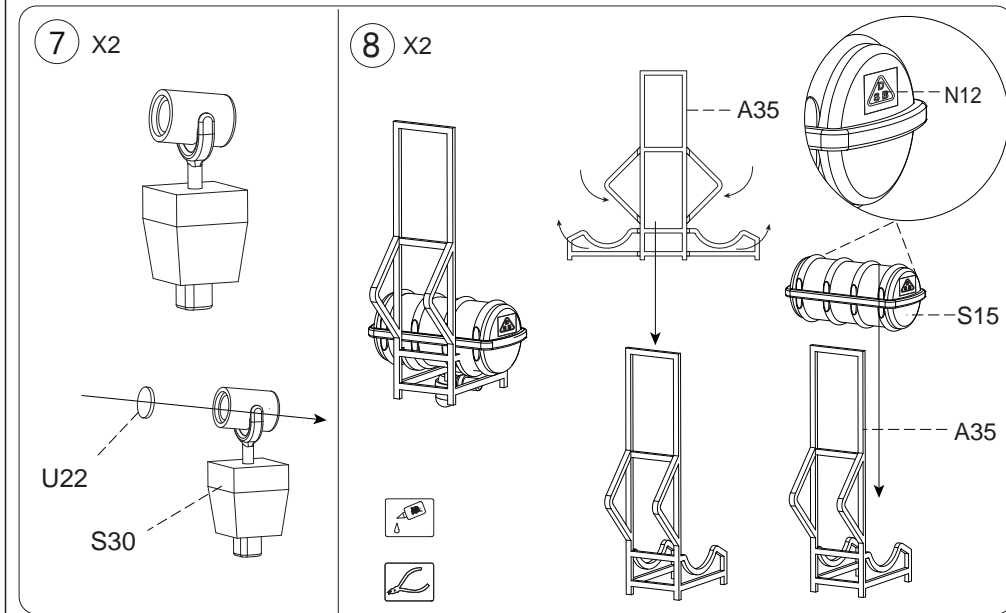
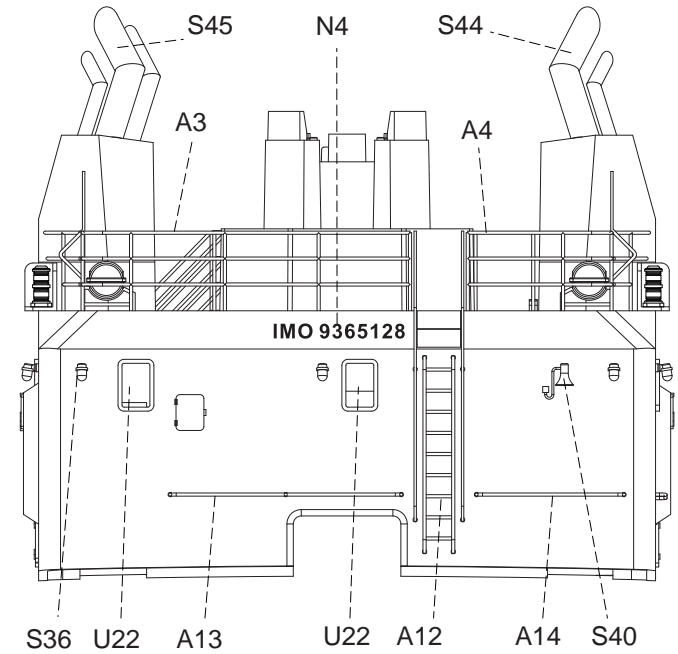
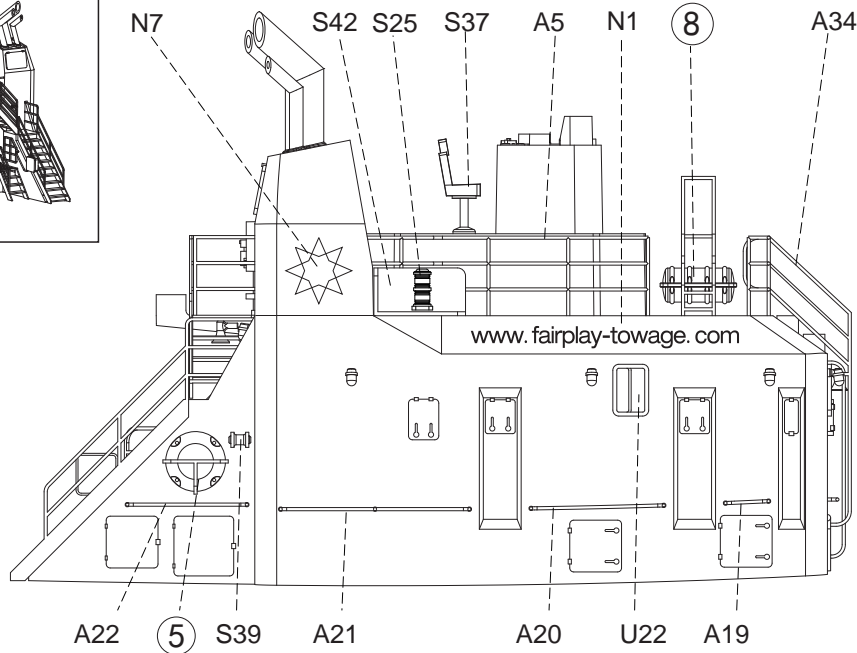
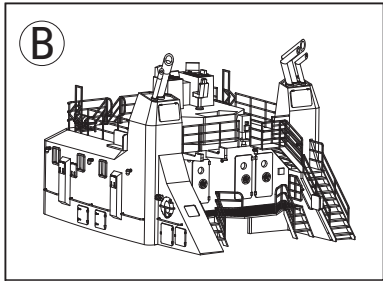




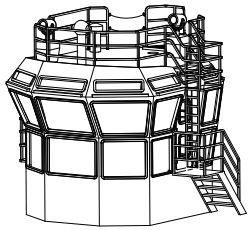




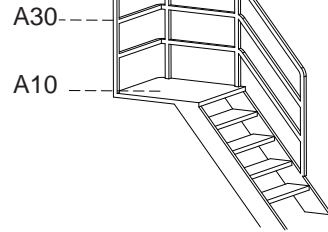




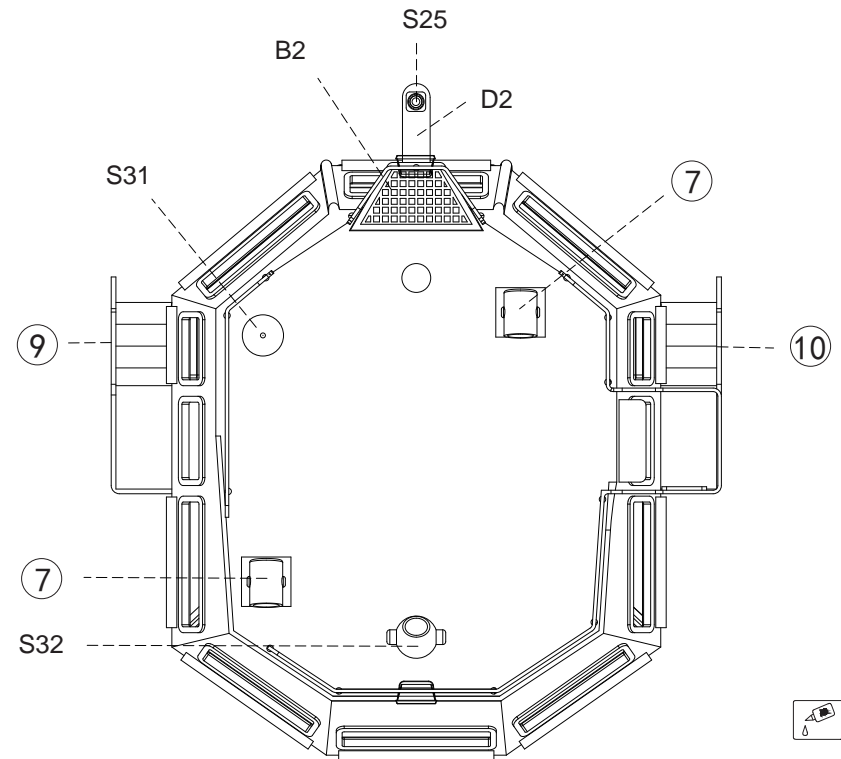
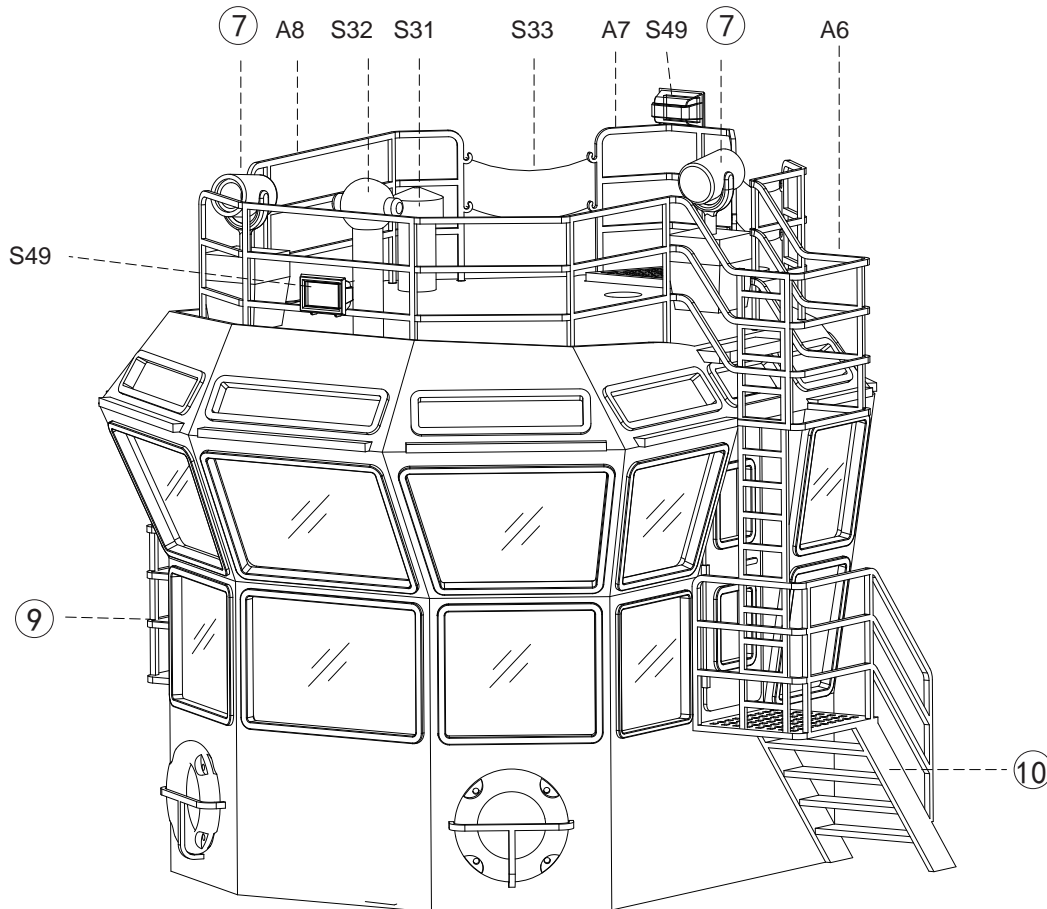
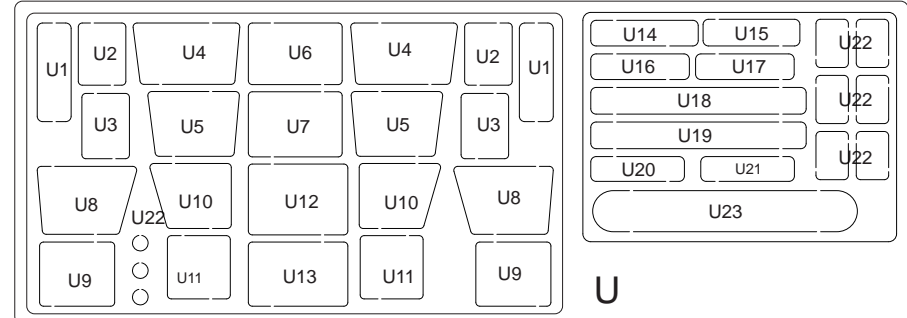
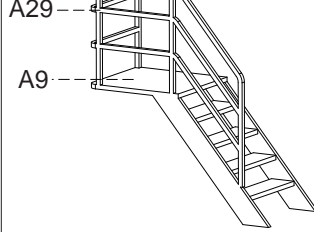
C



9 X1

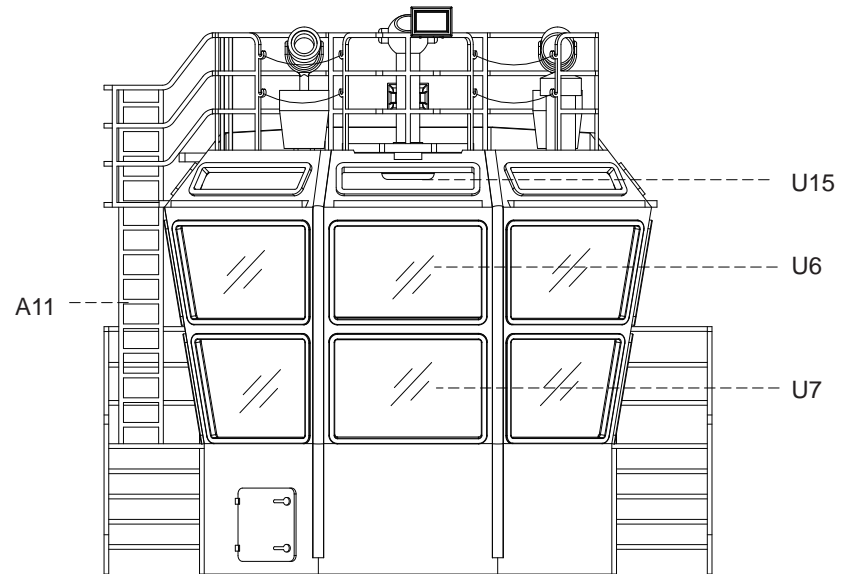
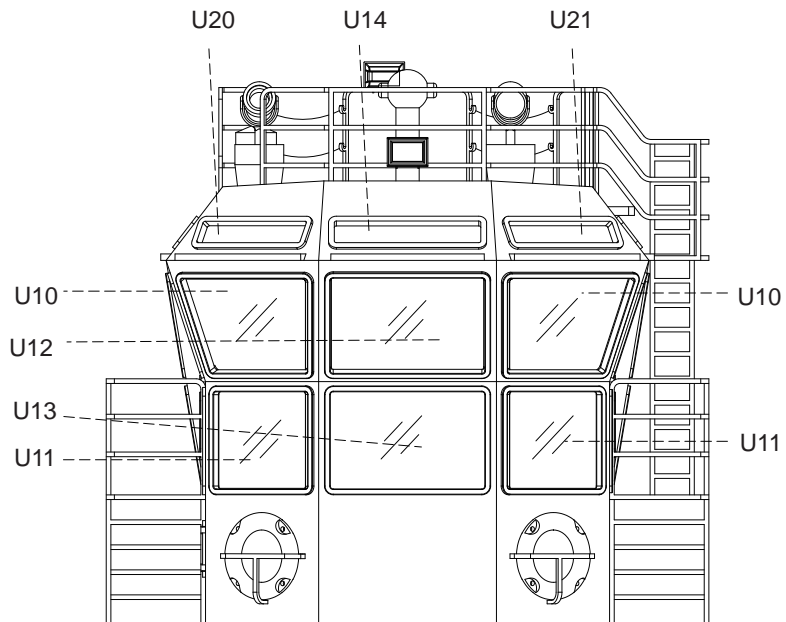
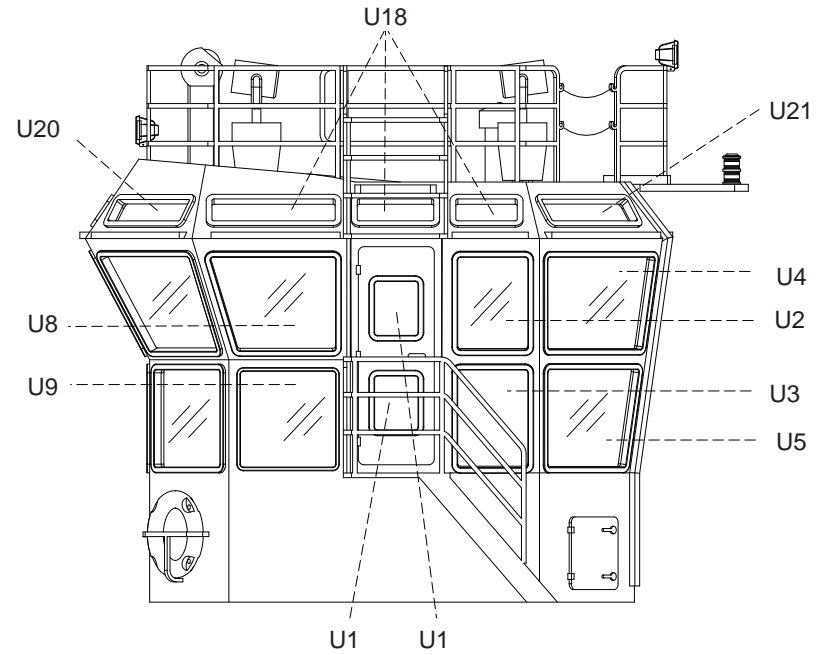
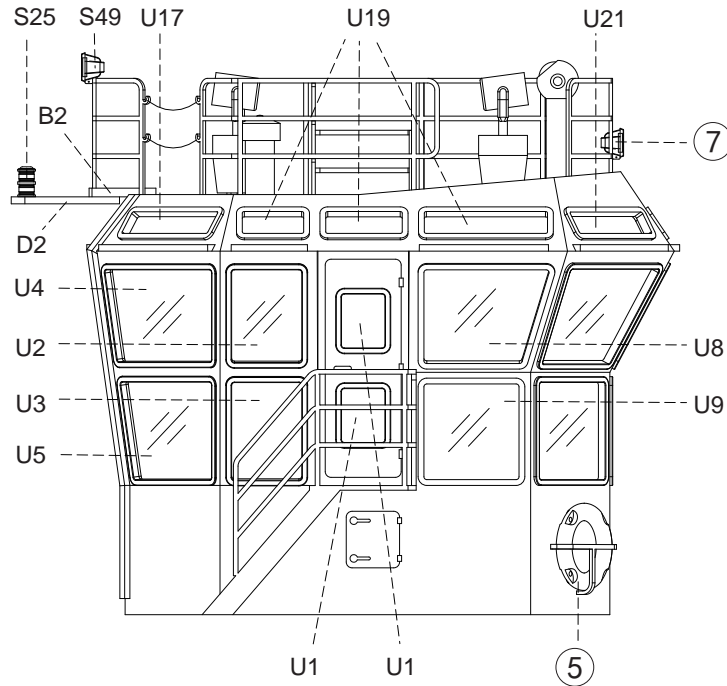
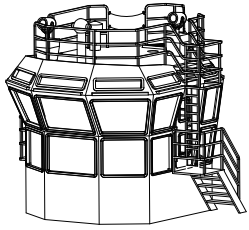


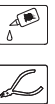
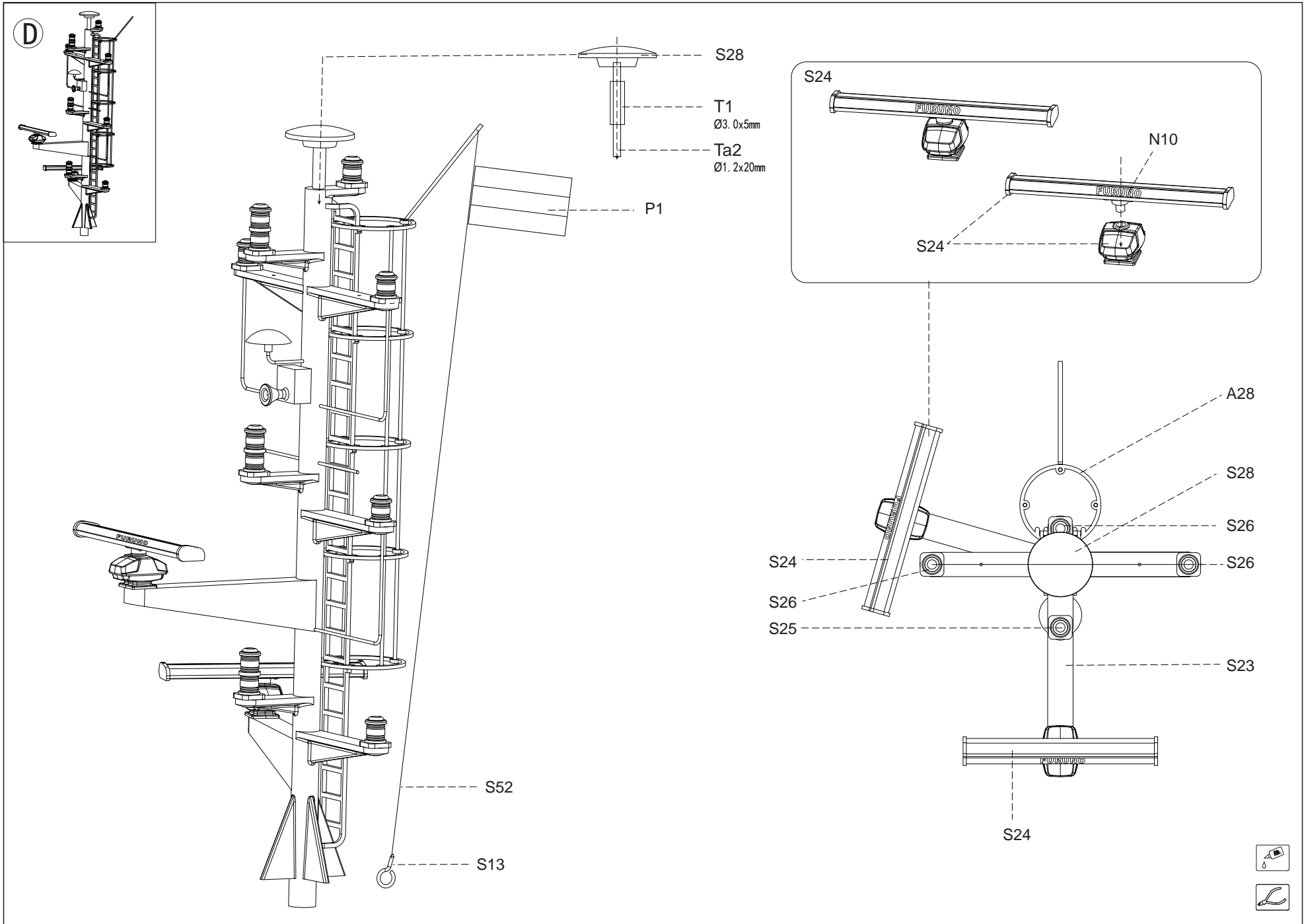
10 X1

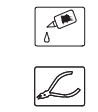
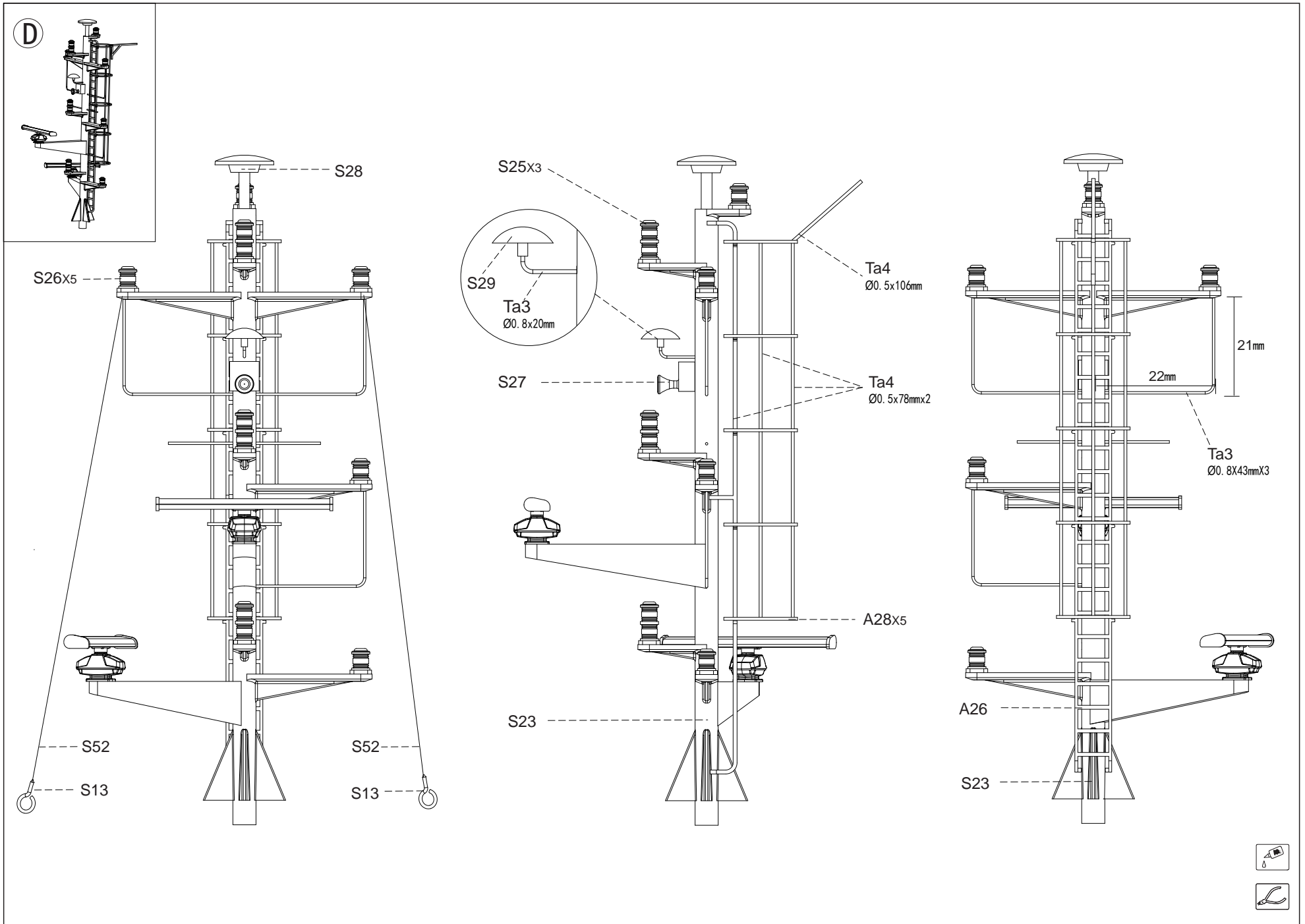




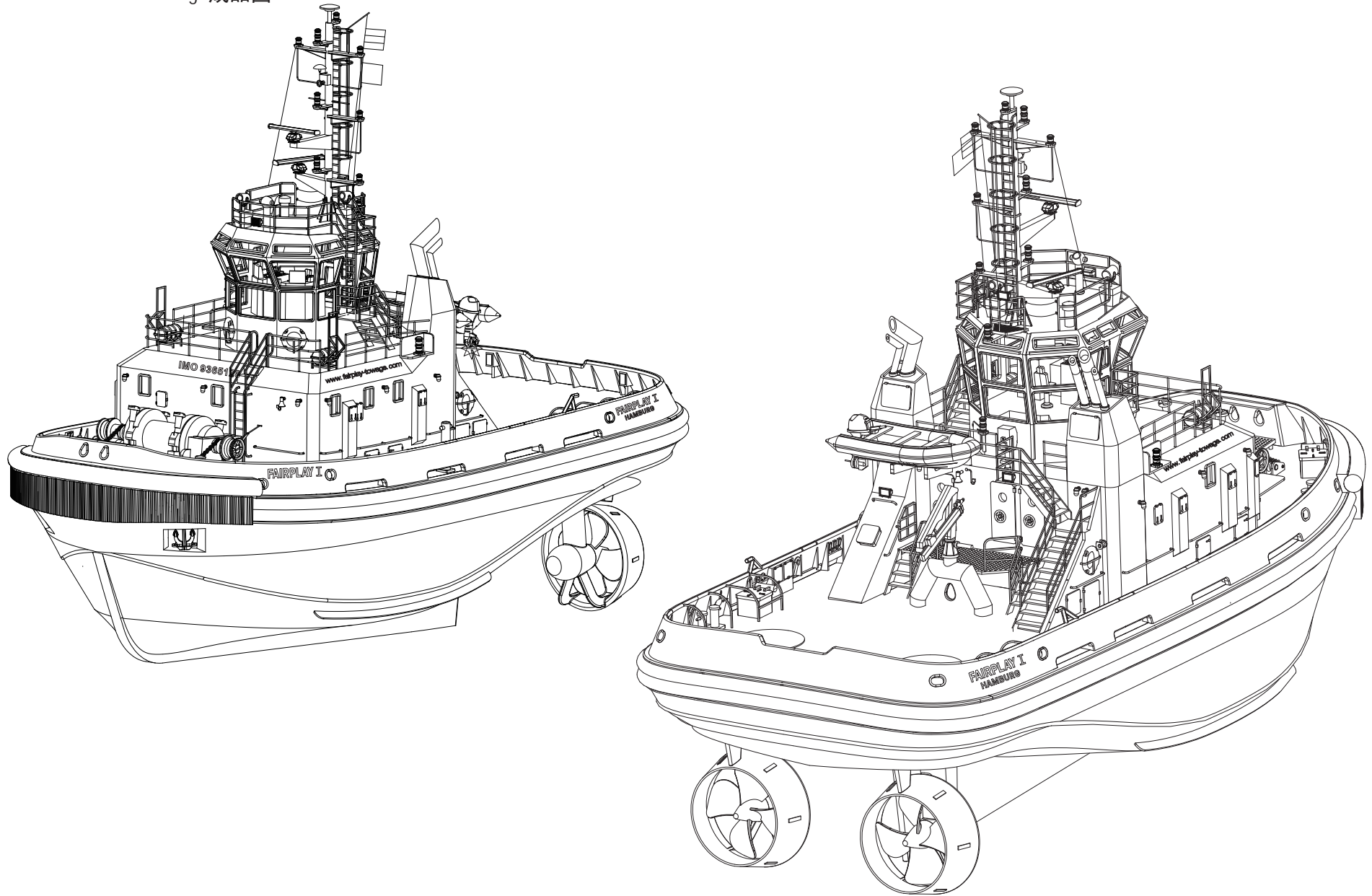
C

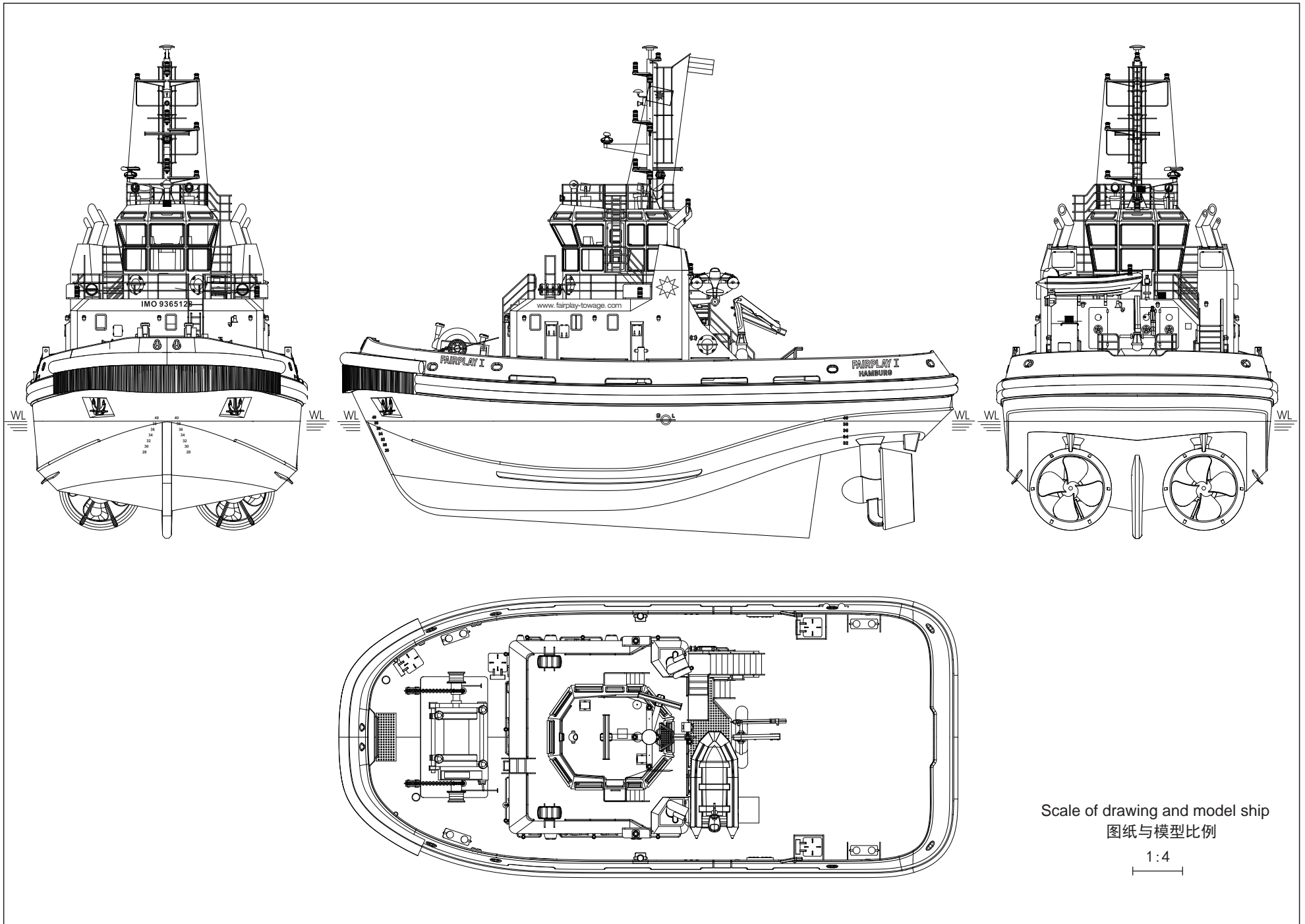






Finished Product Drawing 成品图







**Copyright © Kymodel Hobby.  
All Rights Reserved.**

The final interpretation of this product is owned by Kymodel Hobby, and is subject to change without notice.

本产品的最终解释权归Kymodel所有，如有变更，恕不另行通知。