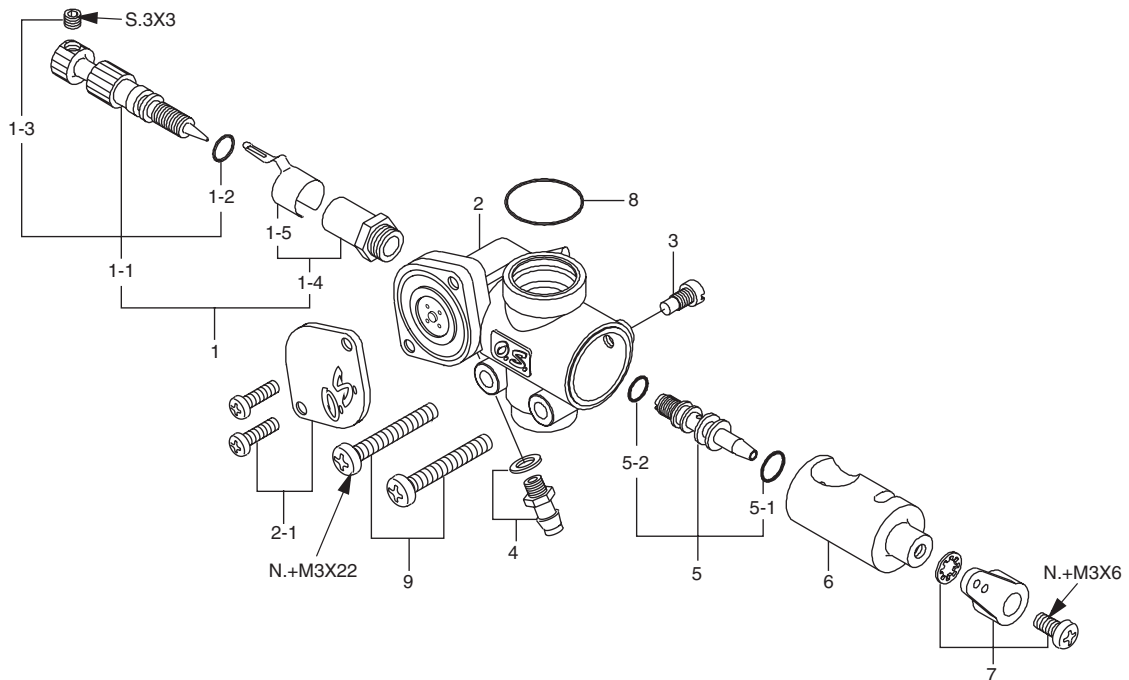


* Type of screw
 C...Cap Screw M...Oval Fillister-Head Screw
 F...Flat Head Screw N...Round Head Screw S...Set Screw

No.	Code No.	Description
1	45513010	Screw Set
2	45504230	Rocker Cover
3	45561401	Rocker Support Assembly
3-1	45561410	Rocker Support
3-2	45761600	Rocker Arm Retainer (2pc./1pair)
4	45561010	Rocker Arm Assembly (1pair)
4-1	45561110	Rocker Arm (1pc.)
4-2	45061202	Tappet Adjusting Screw
5	45560030	Intake Valve Assembly (1pair)
5-1	45560130	Intake Valve (1pc.)
5-2	45560210	Valve Spring (1pc.)
5-3	45560310	Valve Spring Retainer (1pc.)
5-4	45560410	Split Cotter (2pc./1pair)
6	45560040	Exhaust Valve Assembly (1pair)
6-1	45560140	Exhaust Valve (1pc.)
6-2	45560220	Valve Spring (1pc.)
6-3	45560310	Valve Spring Retainer (1pc.)
6-4	45560410	Split Cotter (2pc./1pair)
7	45504130	Cylinder Head (w/Gasket)
8	45504030	Cylinder Head (w/valve Assembly)
9	45569030	Intake Pipe Assembly
9-1	45569031	Intake Pipe
9-2	45771000	Breather Nipple (No.5)
10	45582000	Carburetor Complete (Type 70N)
11	45503410	Piston Ring
12	45503210	Piston
13	45506010	Piston Pin
14	28117000	Piston Pin Retainer
15	45505020	Connecting Rod
16	45503100	Cylinder Liner

No.	Code No.	Description
17	72508001	PD-07 Pump Unit
18	45507030	Cover Plate
19	45502030	Crankshaft
20	45530030	Crankshaft Ball Bearing (R)
21	45514030	Gasket Set
22	45501050	Crankcase
23	45771000	Breather Nipple (No.5)
24	45231100	Camshaft Ball Bearing (1pc.)
25	45562030	Camshaft
26	45501130	Cam Cover
27	45566000	Push Rod (2pcs.)
28	45566101	Push Rod Cover Assembly (2pcs.)
28-1	45566111	Push Rod Cover (1pc.)
28-2	45566310	Push Rod Cover "O" Ring (2pcs.)
29	45564000	Cam Follower (2pcs.)
30	29031009	Crankshaft Ball Bearing (F)
31	45520000	Thrust Washer
32	45508030	Drive Hub
32-1	45508200	Woodruff Key
33	45910100	Locknut Set
	45523030	F-5020 Silencer Assembly
	45525031	Silencer Body
	45526030	Exhaust Header Pipe Assembly
	45526031	Exhaust Header Pipe
	45526032	Manifold Nut (M14) (2pcs.)
	71615009	Glow Plug Type F
	45581970	Needle
	72200060	Tappet Adjusting Tool Kit



* Type of screw
 C...Cap Screw M...Oval Fillister-Head Screw
 F...Flat Head Screw N...Round Head Screw S...Set Screw

No.	Code No.	Description
1	27381900	Needle Valve Assembly
1-1	29081952	Needle Assembly
1-2	24981837	"O" Ring (2pcs.)
1-3	26381501	Set Screw
1-4	27381940	Needle Valve Holder Assembly
1-5	26711305	Ratchet Spring
2	45582100	Carburetor Body
2-1	45582400	70N Regulator Cover
3	45581820	Rotor Guide Screw
4	22681953	Fuel Inlet (No.1)
5	45582300	Mixture Control Valve Assembly
5-1	46066319	"O" Ring (L) (2pcs.)
5-2	24881824	"O" Ring (S) (2pcs.)
6	45582200	Carburetor Rotor
7	27881400	Throttle Lever Assembly
8	46115000	Carburetor Rubber Gasket
9	45581700	Carburetor Retaining Screw (2pcs.)

O.S. GENUINE PARTS & ACCESSORIES

Code No.	Description
71904200	Radial Motor Mount
72200080	Needle Valve Extension Cable Set
72109200	EX Exhaust Header Pipe (Inside fuselage)
72109300	EX Exhaust Header Pipe (Outside fuselage)
72108510	Flexible Exhaust Pipe (1414A) (120mm)
72108520	Flexible Exhaust Pipe (1414B) (240mm)
45910200	Propeller Locknut Set (For Spinner)
45910300	5/16"-M5 Propeller Locknut Set For Truturn Spinners
72200130	Booster Terminal Kit
72200110	Booster Cable Set
72403050	Super Filter (L)
71531000	Non-Bubble Weight
79871020	M2.6x7 Cap Screw Set (10pcs.)
79871050	M2.6x15 Cap Screw Set (10pcs.)
79871080	M3.5x12 Cap Screw Set (10pcs.)
79871100	M3.5x20 Cap Screw Set (10pcs.)
71521000	Long Socket Wrench With Plug Grip